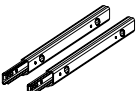
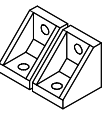
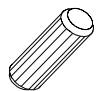
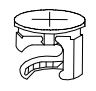
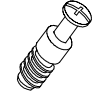

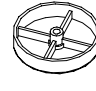


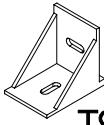
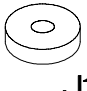
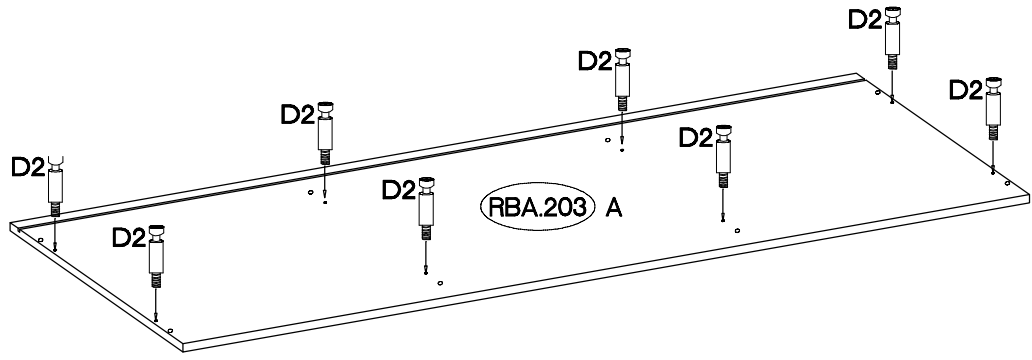
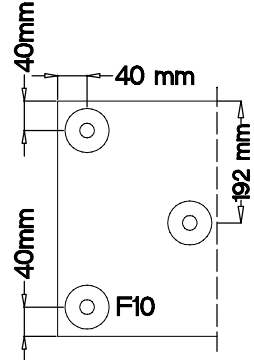
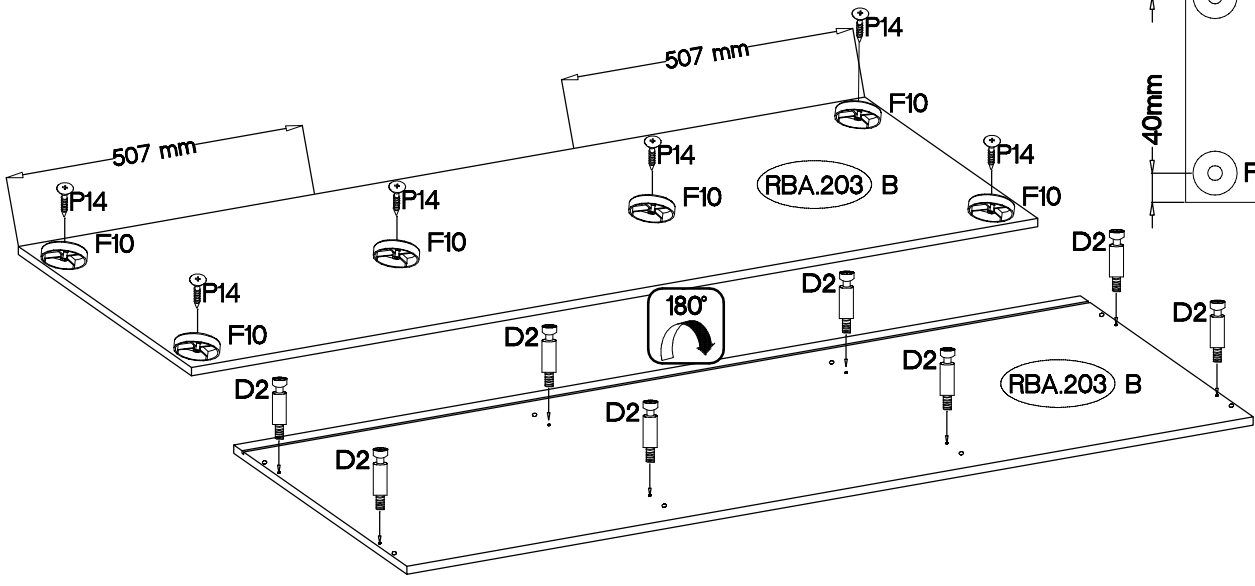
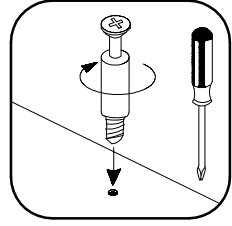
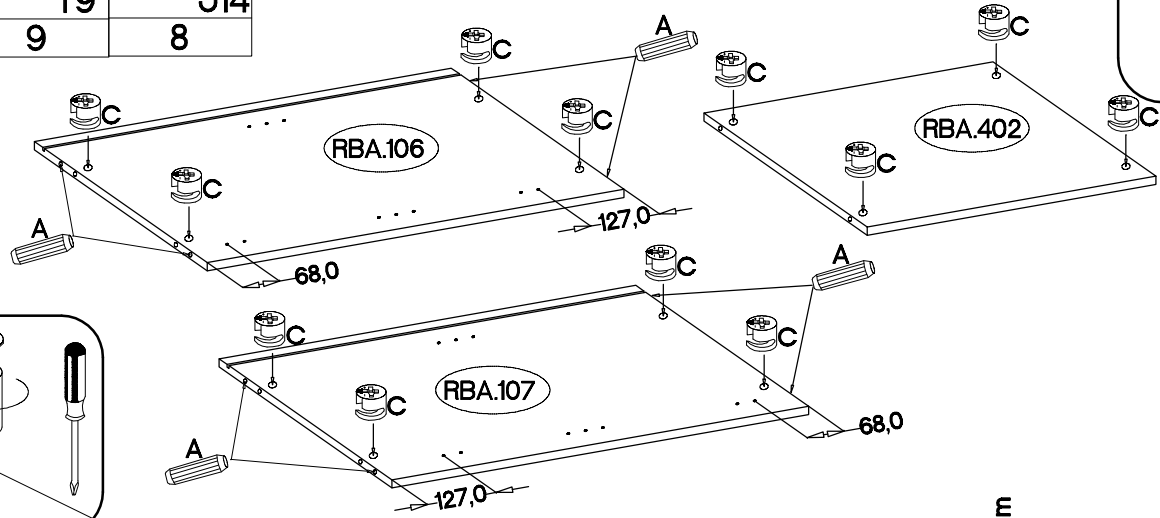
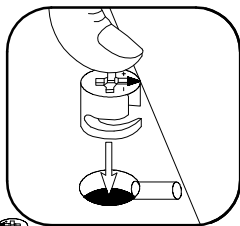


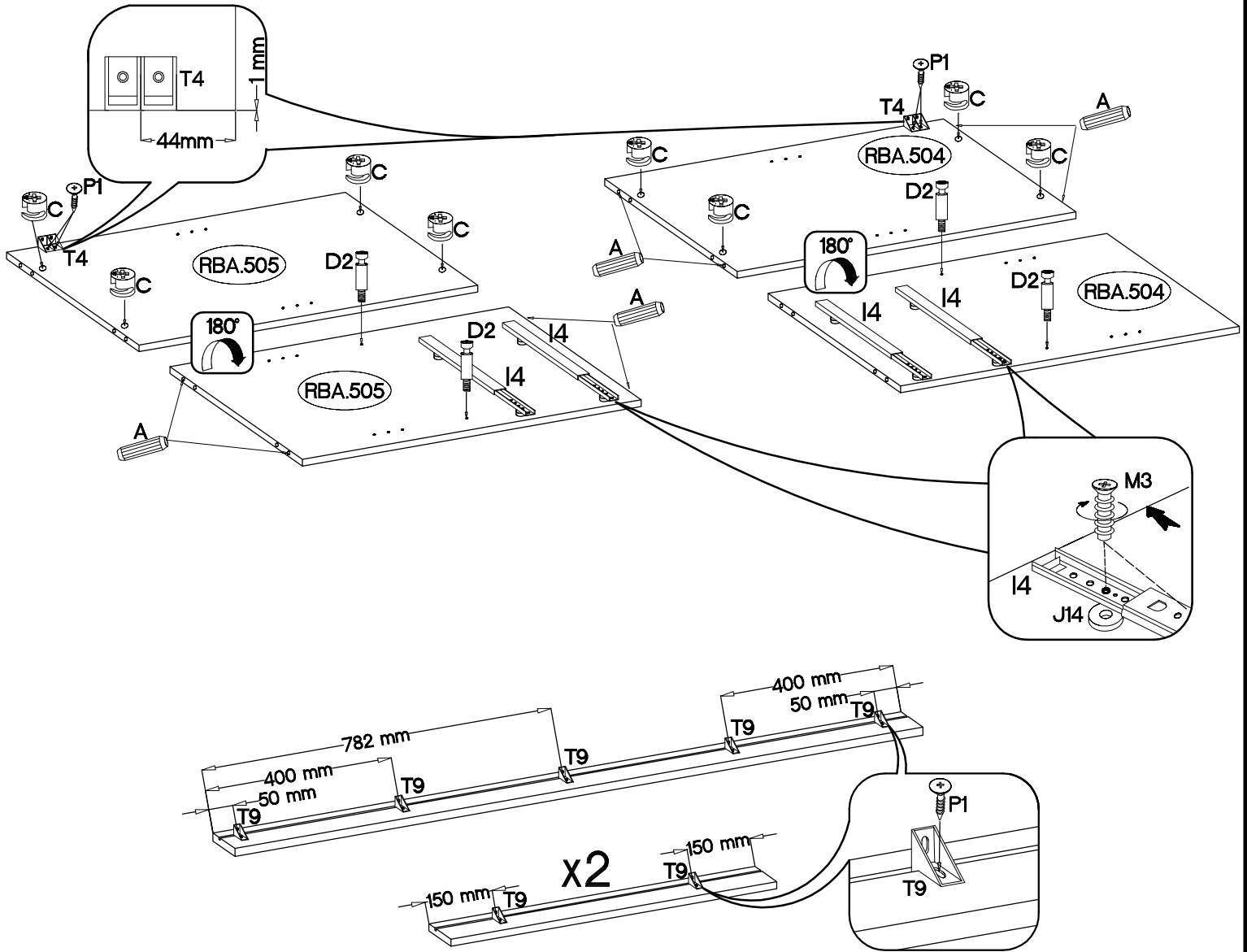
		$\pm 20/8\text{mm}$ J14 8	$\pm 10 \times 50\text{mm}$ O7 2	 L9 2				
	$\pm 6,3 \times 20\text{mm}$ M3 8	$\pm 6 \times 42\text{mm}$ B2 4	 T9 9	 F10 6	$\pm 4,0 \times 25\text{mm}$ P14 6			
 L2 10	$\pm 3,5 \times 13\text{mm}$ P5 10	$\pm 4,0 \times 16\text{mm}$ P1 26	$\pm 4,0 \times 30\text{mm}$ R2 8	 J12 4	M4x9mm U1 4	 O1 1	310/27mm I 2	 T4 2
 E 16	$\pm 3,0 \times 20\text{mm}$ P7 13	L=20mm D2 20	$\pm 15/12\text{mm}$ C 20	$\pm 8 \times 30\text{mm}$ A 28	 L 14	L=128mm S1 4	$\pm 5/16\text{mm}$ J3 8	$\pm 35/0\text{mm}$ G 4

1

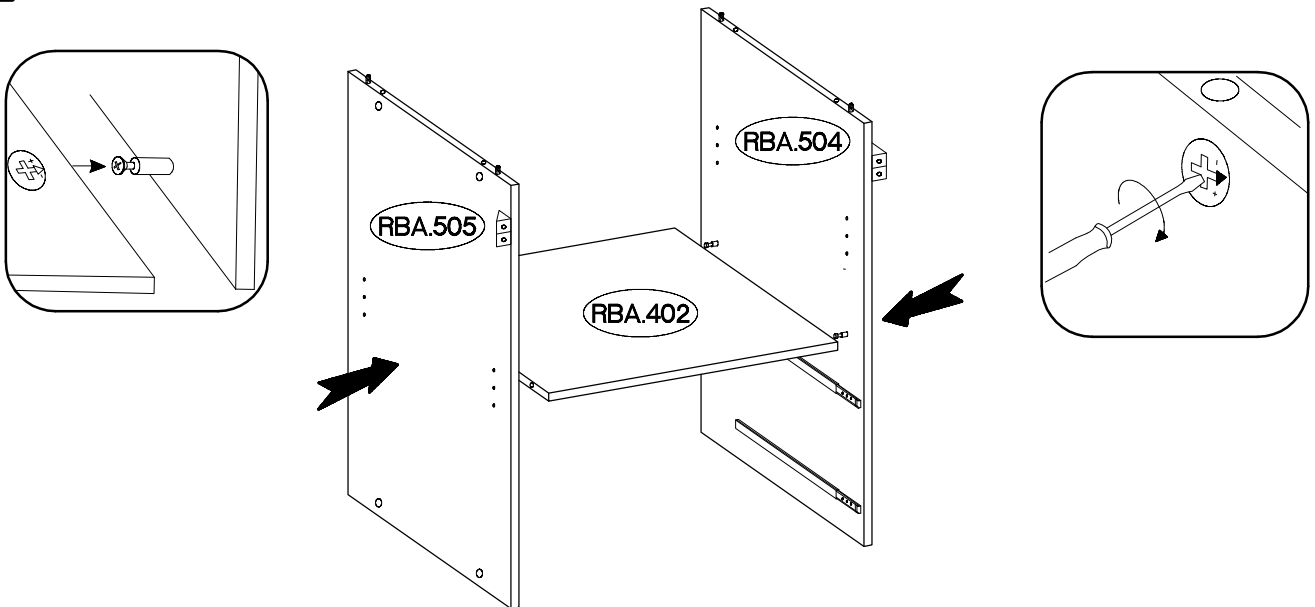
310/27mm  I	 T4	±8x30mm  A	±15/12mm  C	L=20mm  D2	±6,3x20mm  M3	 F10	±4.0x25mm  P14	±4.0x16mm  P1
2	2	16	20	20	8	6	6	13
 T9	±20/8mm  J14							
9	8							



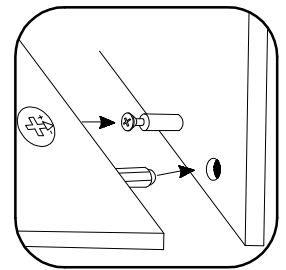
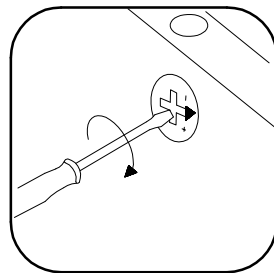
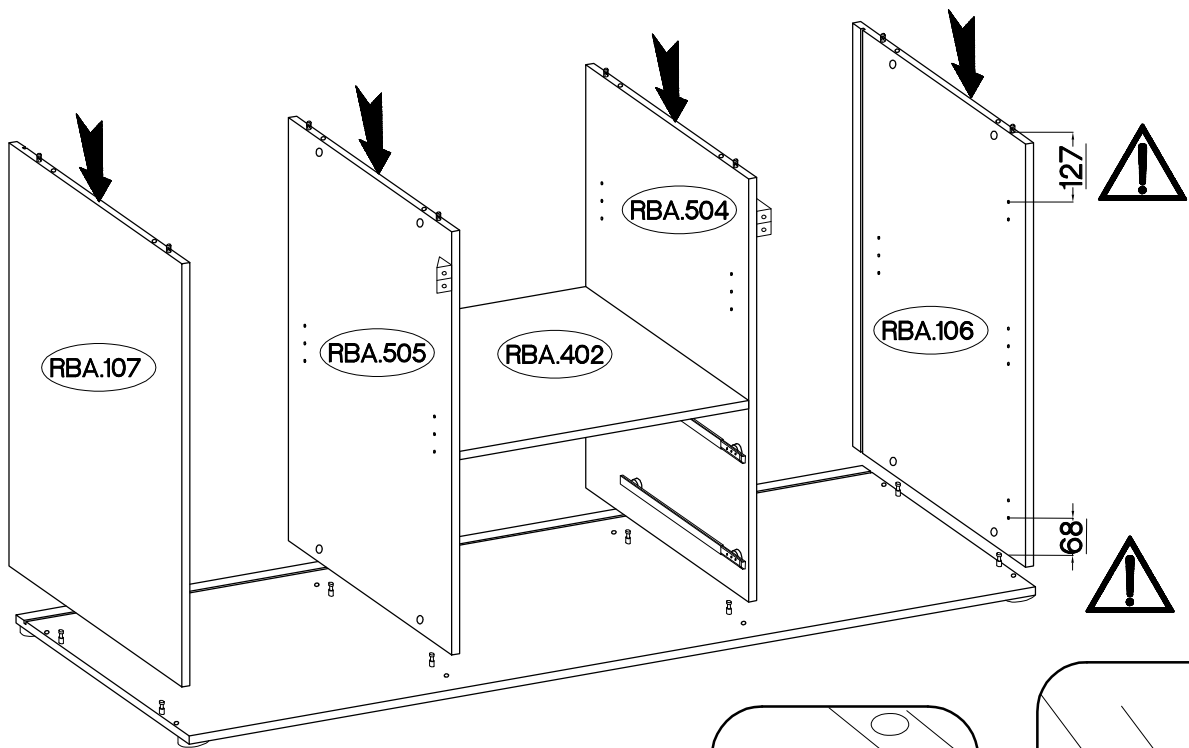
1



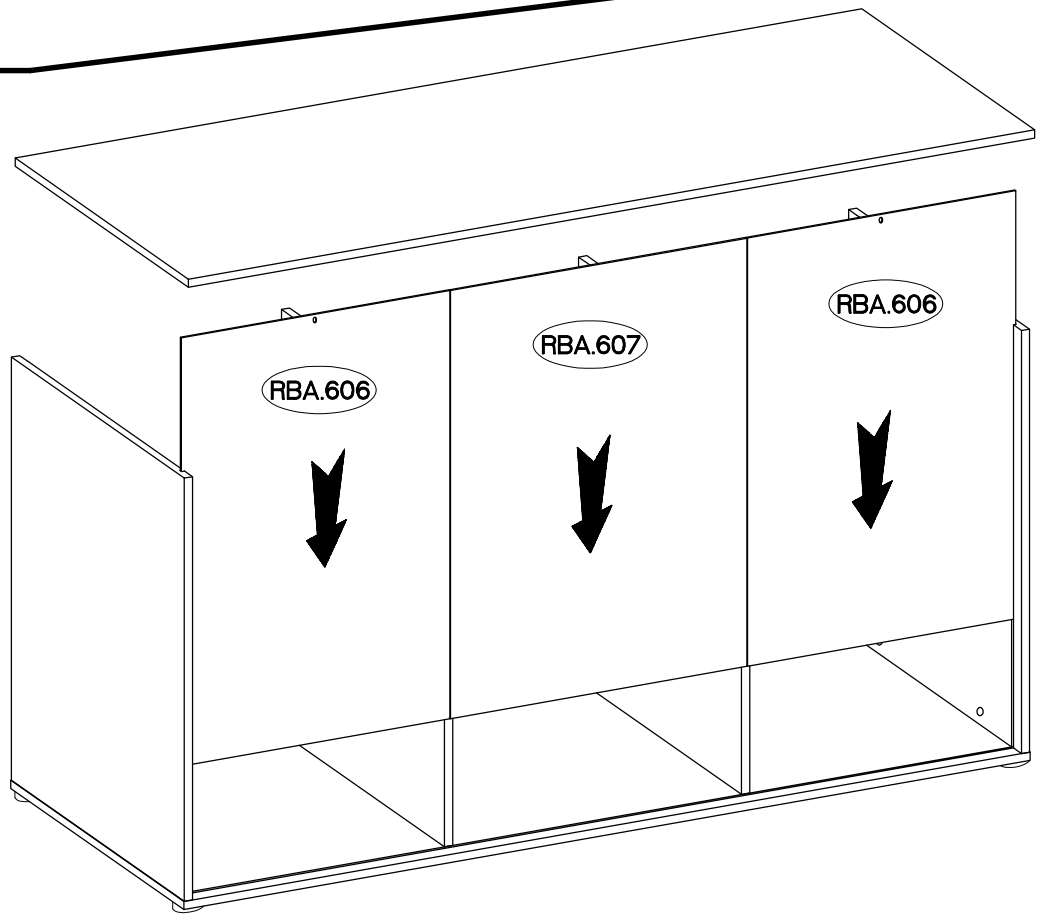
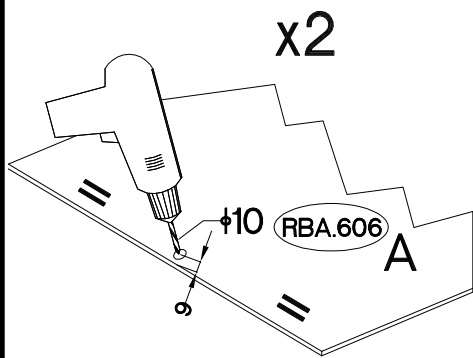
2



3



4



5

±3.0x20mm



P7

13



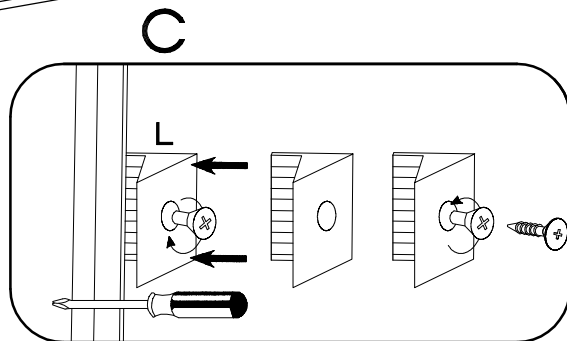
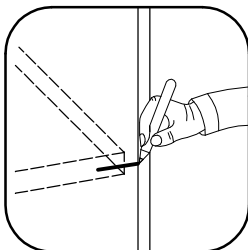
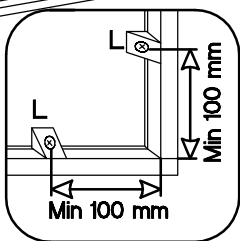
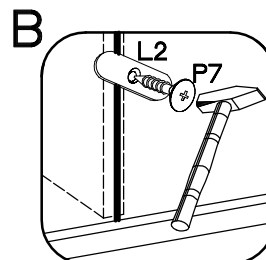
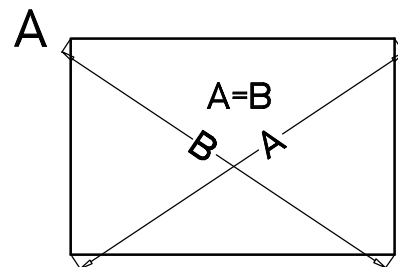
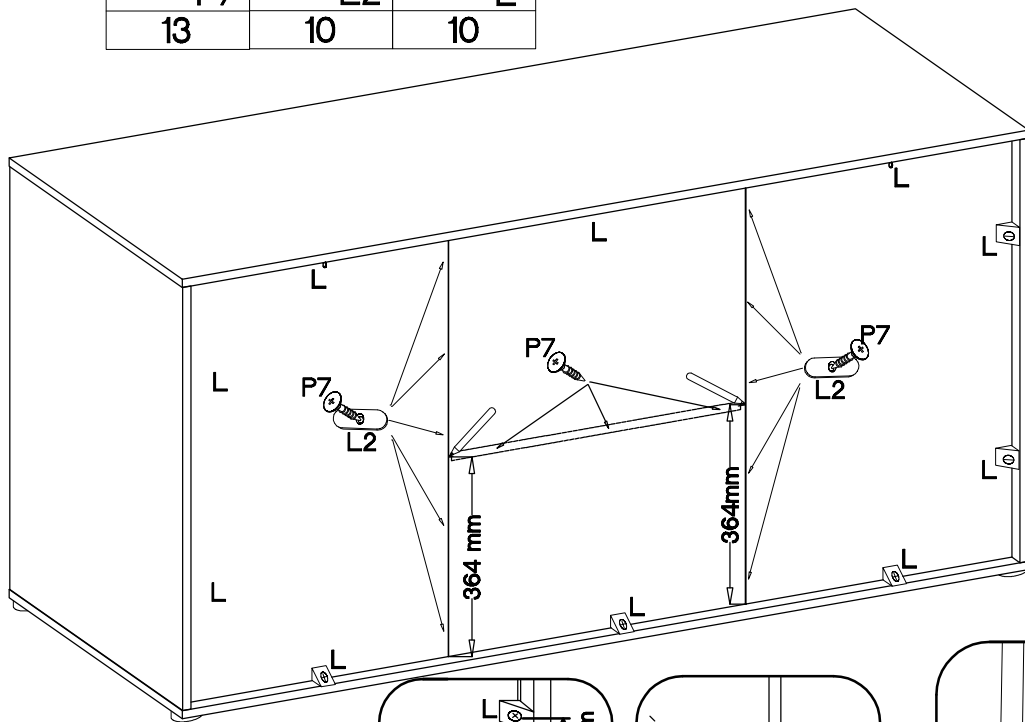
L2

10



L

10



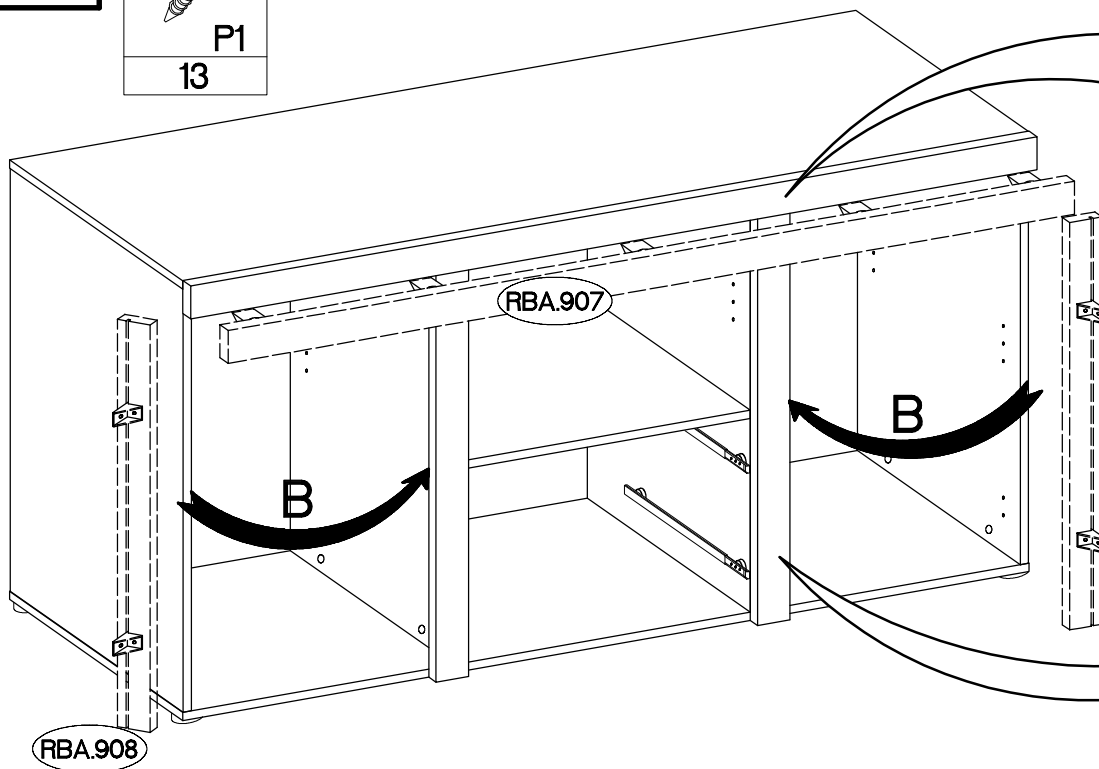
6

±4.0x16mm

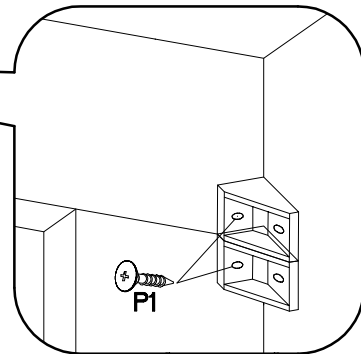


P1

13



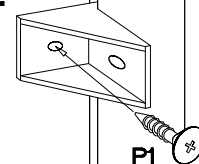
x2



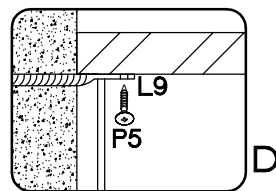
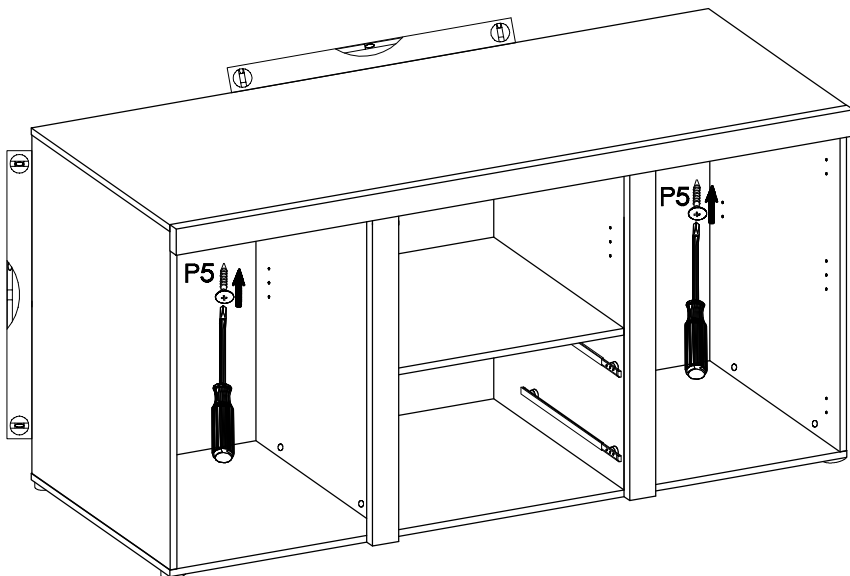
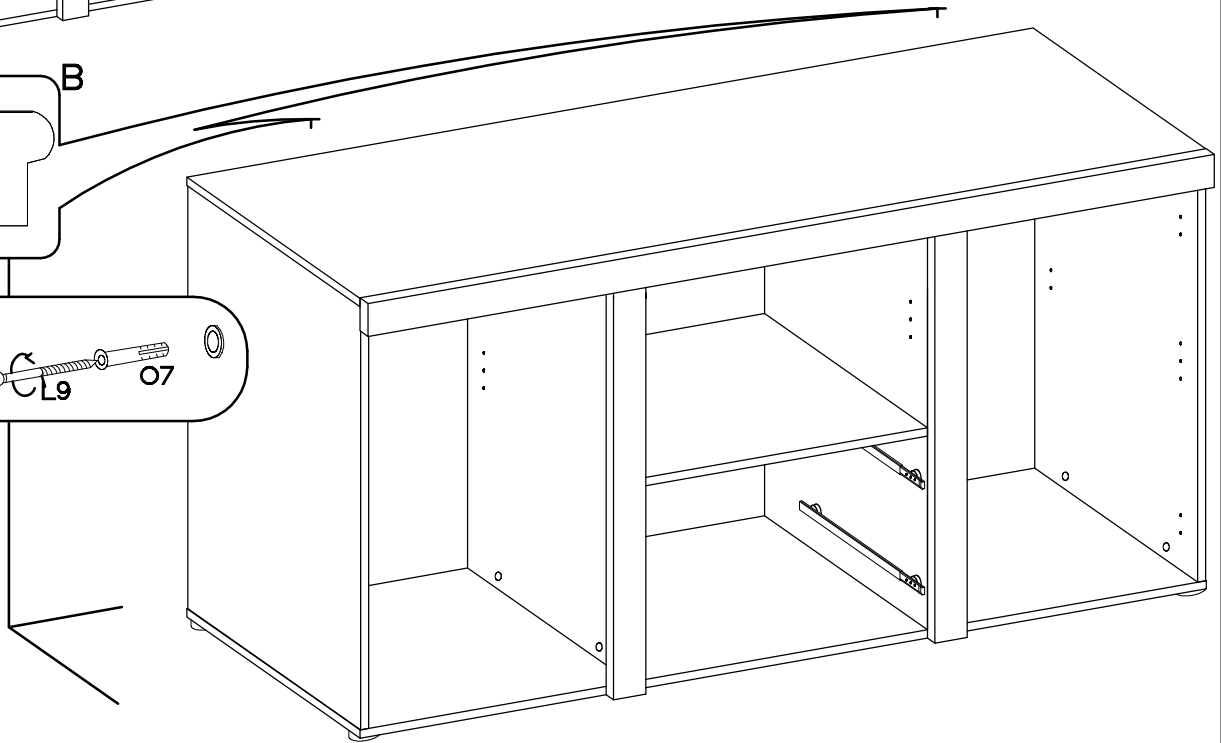
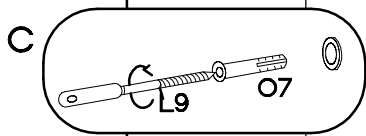
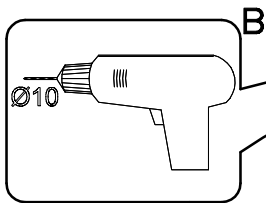
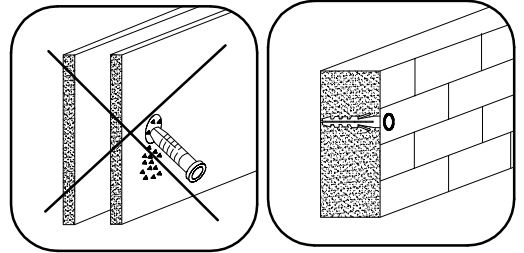
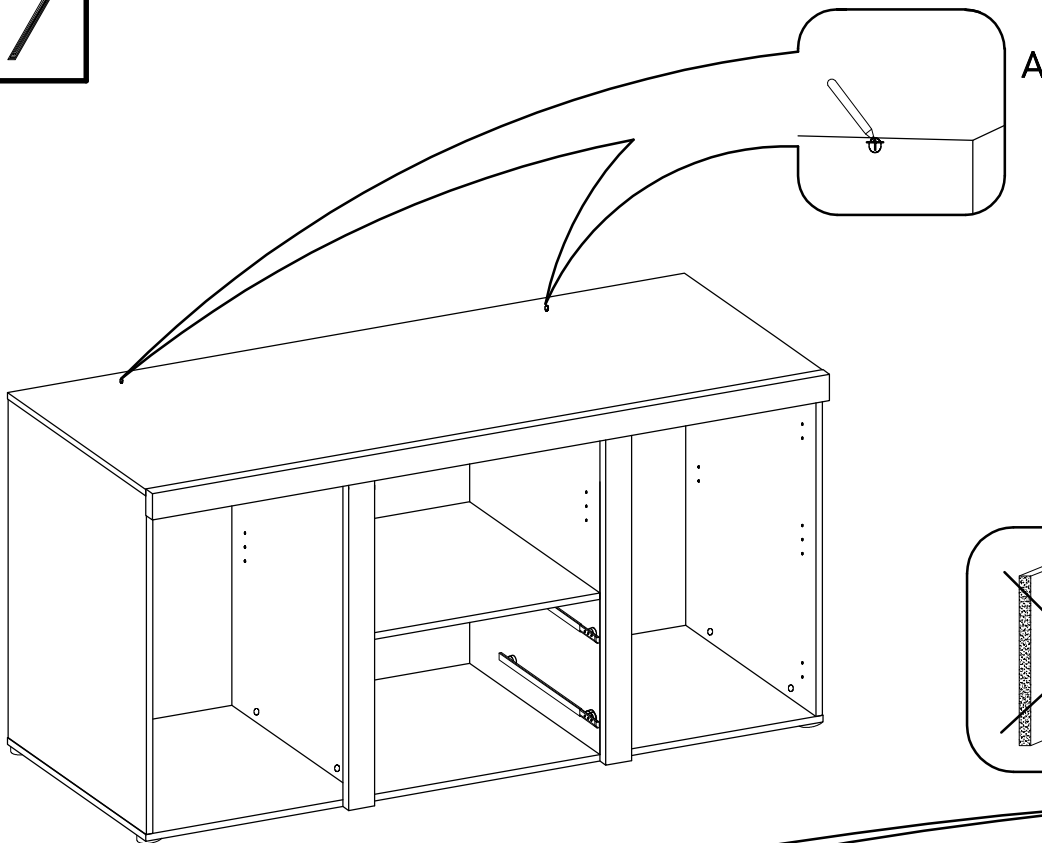
RBA.908


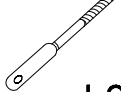

x9

A.



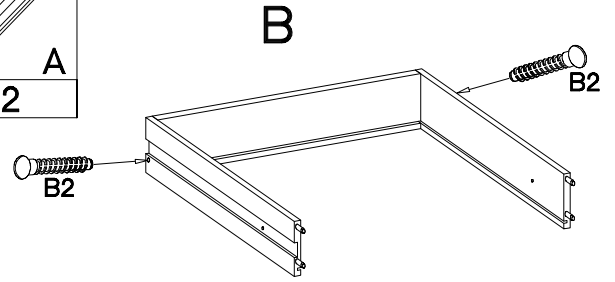
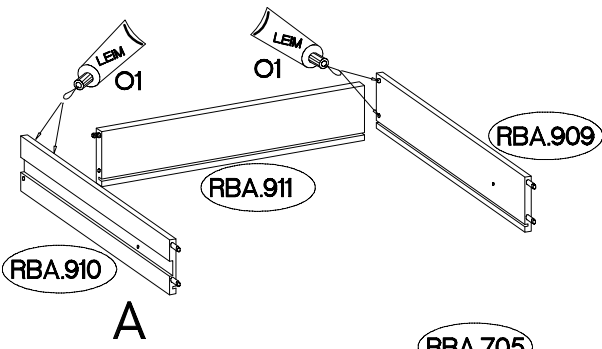
7



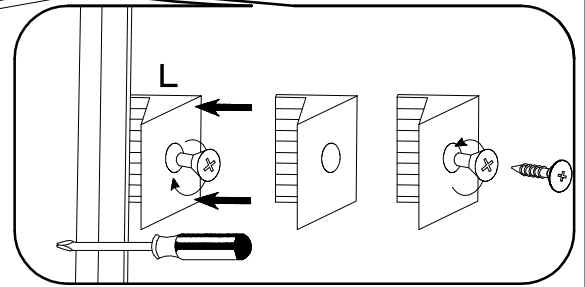
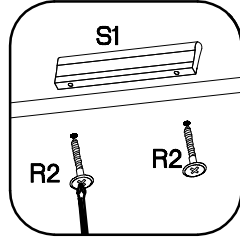
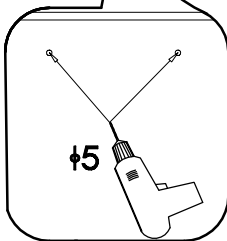
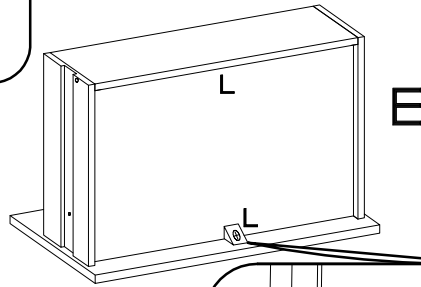
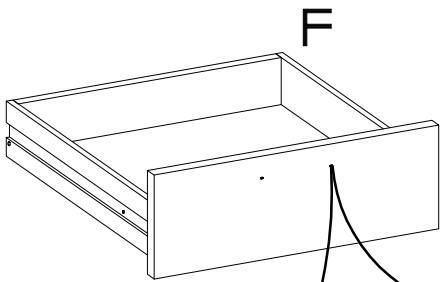
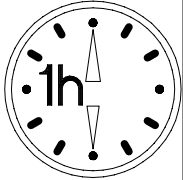
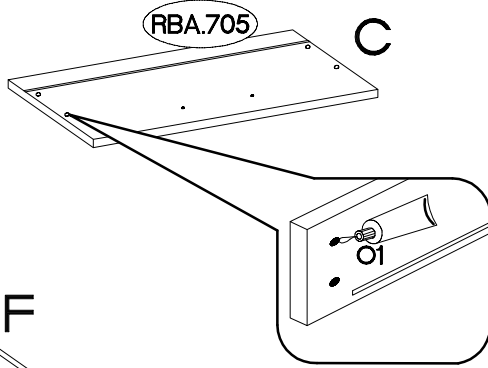
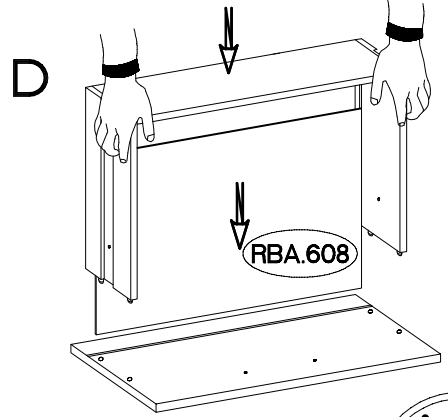
†10x50mm		†3.5x13mm
		
O7	L9	P5
2	2	2

8

+6x42mm B2 4	O1 1	L=128mm S1 2	+4.0x30mm R2 4	L 4	+8x30mm A 12
--------------------	---------	--------------------	----------------------	--------	--------------------

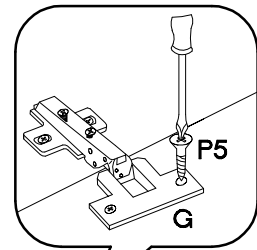
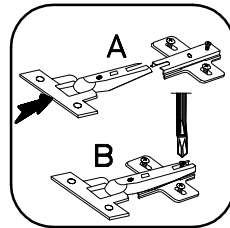


x2

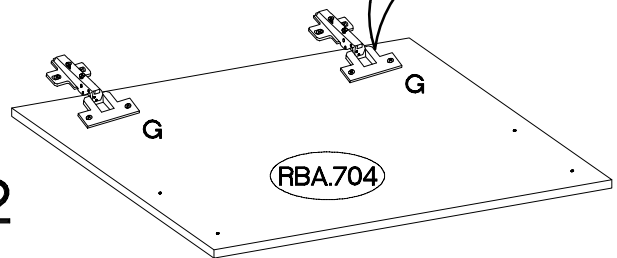


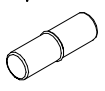
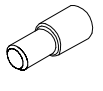
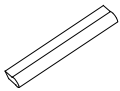
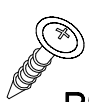


9

H=0 H 4	+35/0mm G 4	+3.5x13mm P5 8
---------------	-------------------	----------------------



x2



$\varnothing 5/16\text{mm}$  J3 8	 J12 4	$L=128\text{mm}$  S1 2	$\varnothing 4.0 \times 30\text{mm}$  R2 4	$M4 \times 9\text{mm}$  U1 4	 E 16
---	---	--	--	--	--

