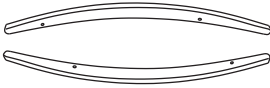
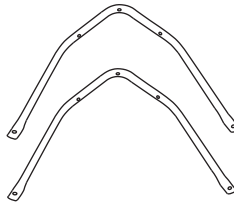


1

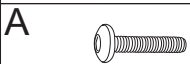
3



2



1	1x
2	1x
3	1x



M6*35
6PCS



M6*25
4PCS



M6*15
4PCS



M6*18*1.2
4PCS

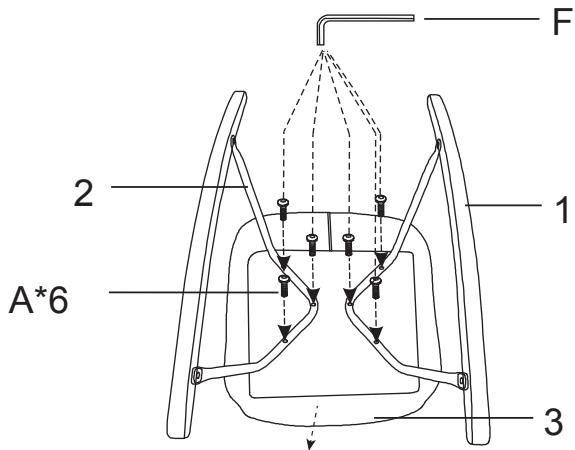


M5

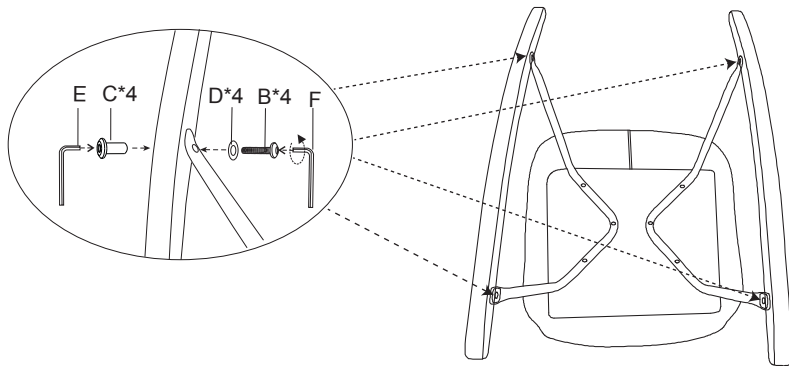


M6

1



2



3

