










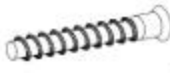



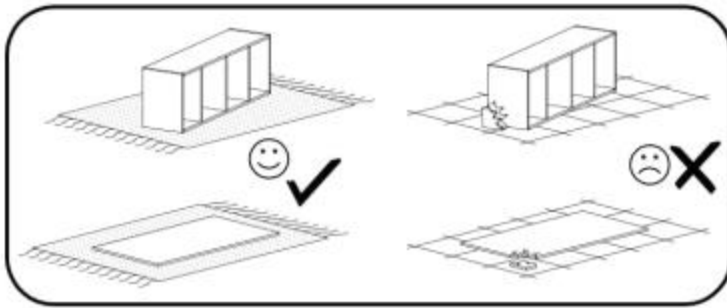
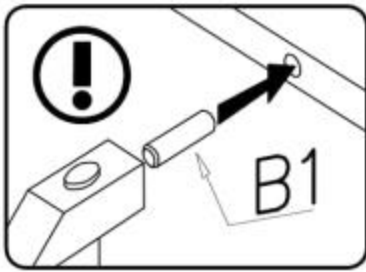
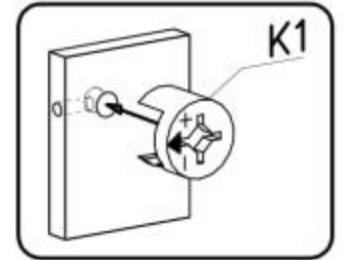
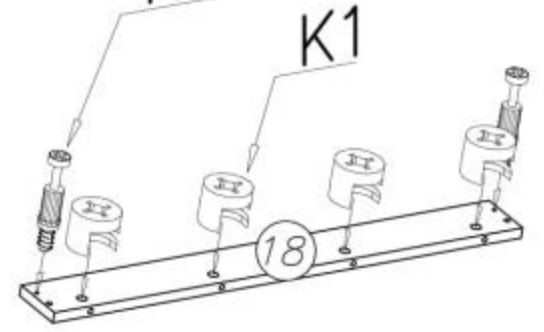
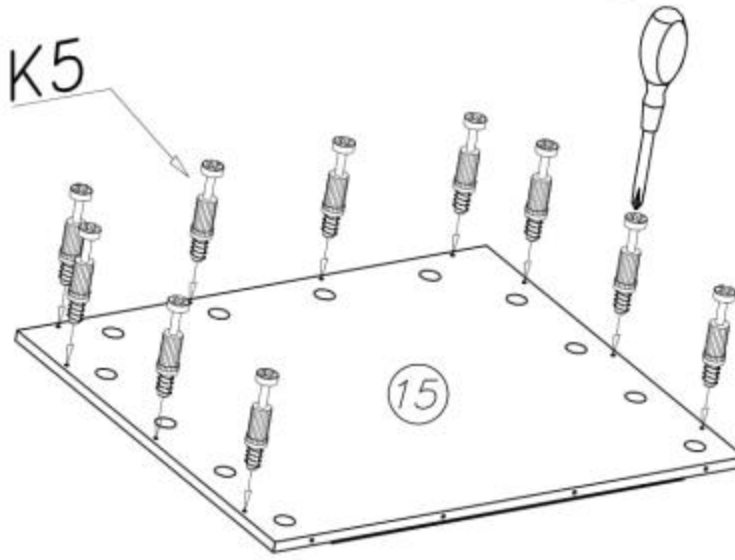
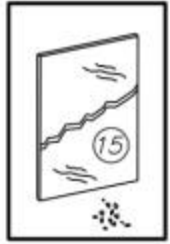


K6  1x	H23  2x	G22  3x16 26x	B1  ø8x30 36x	W10  x12 1x
W2  1x	H30-350mm  2x	W4  ø1,4x20 14x	I7  ø18 14x	W10  x12 1x
K1  ø15x12 32x	A1  ø7x50 13x	K5  30x	P4  4x	W10  x12 1x

1



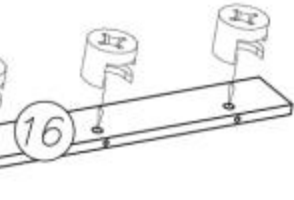
B1 Ø8x30 14x	K1 Ø15x12 22x
	K5 18x



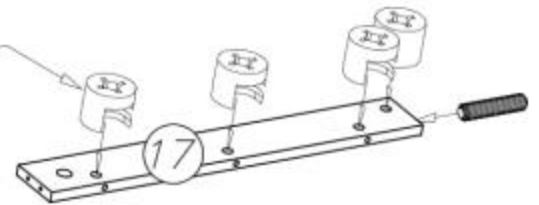
K5

B1

K1

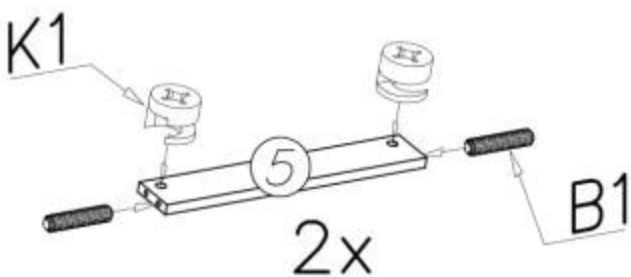
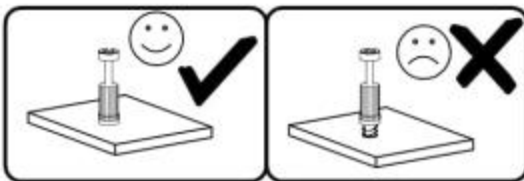
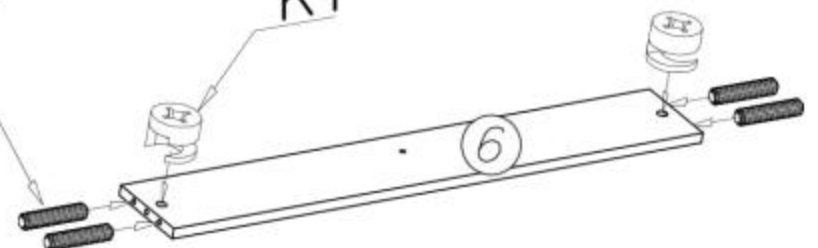


K1

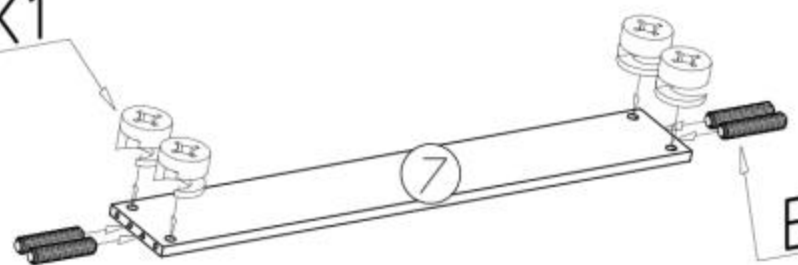


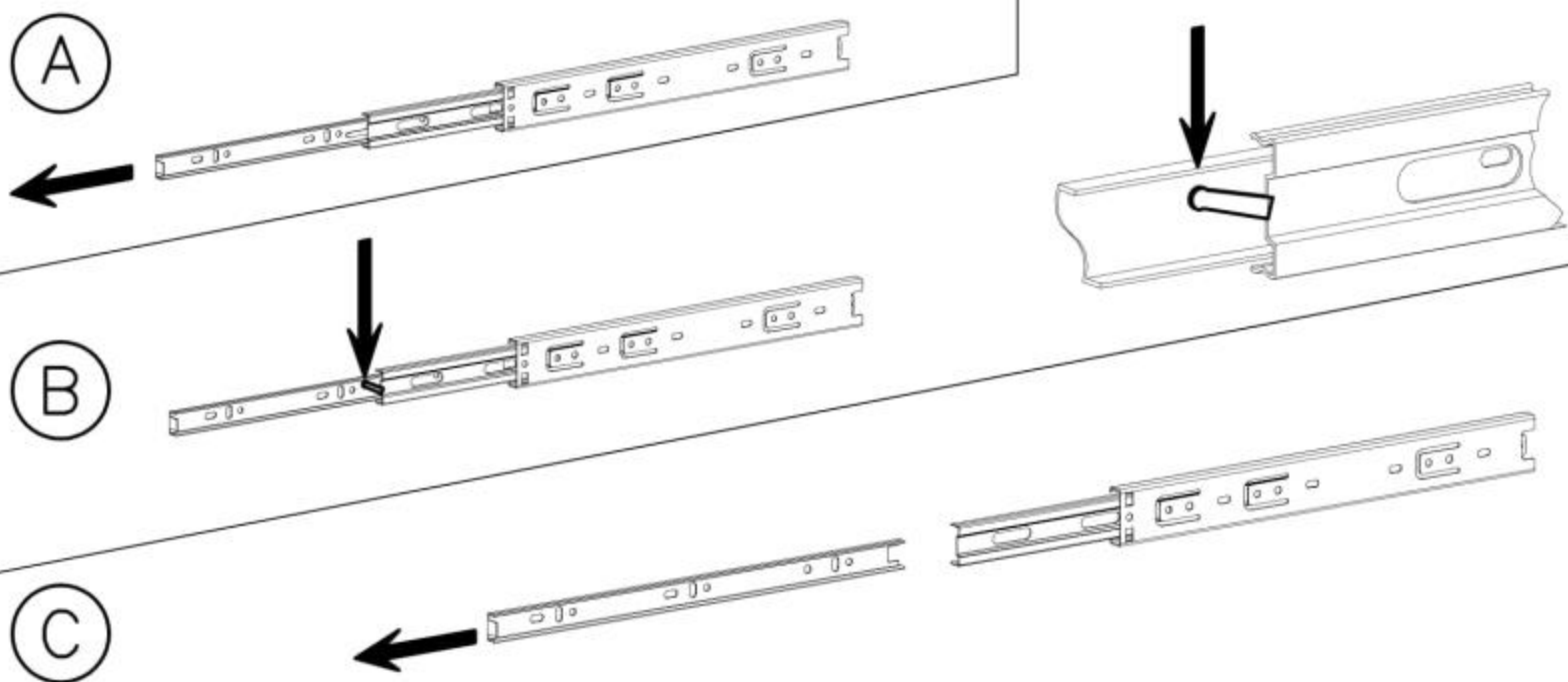
K1

B1

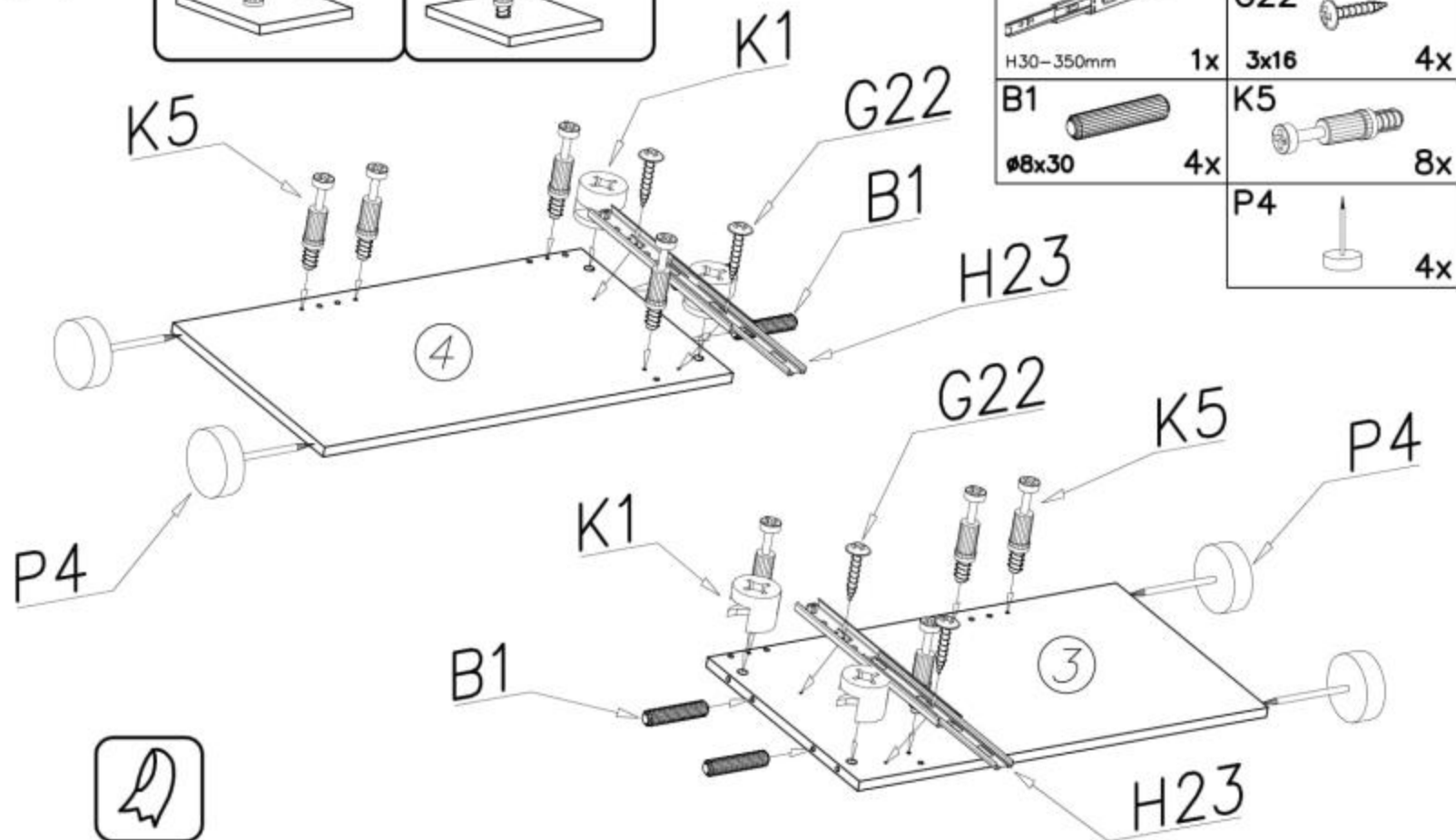
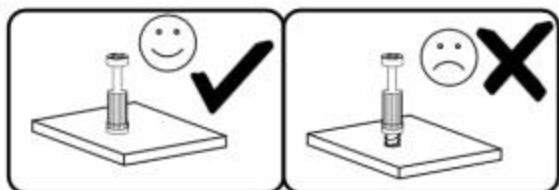


K1

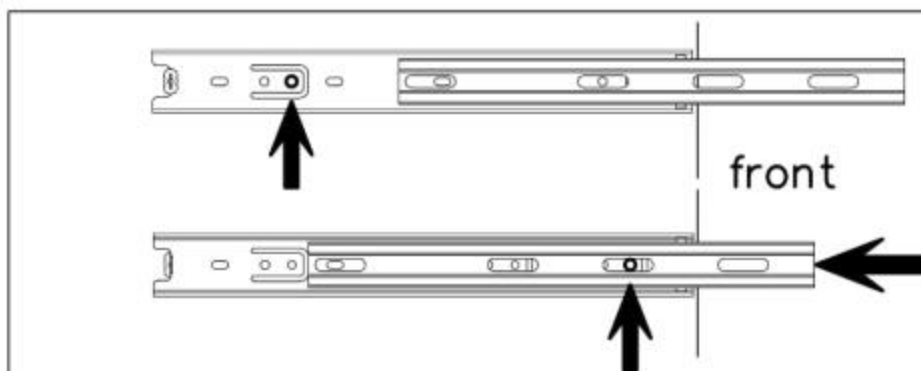
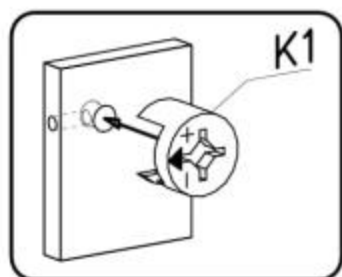




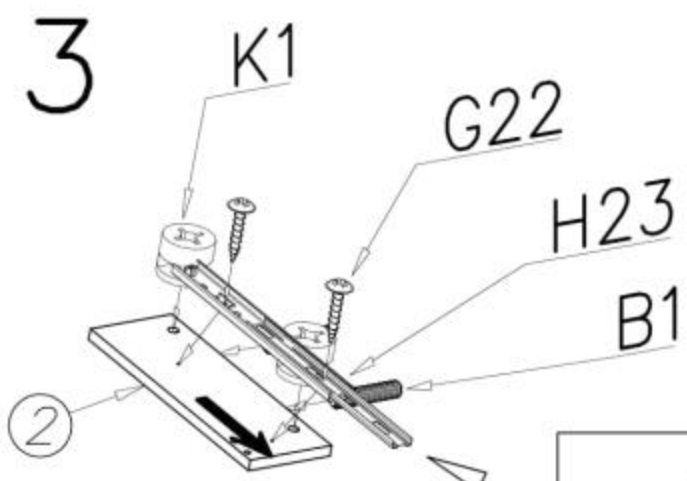
2





H23		K1		4x
H30-350mm	1x	G22		4x
B1		K5		8x
∅8x30	4x	P4		4x





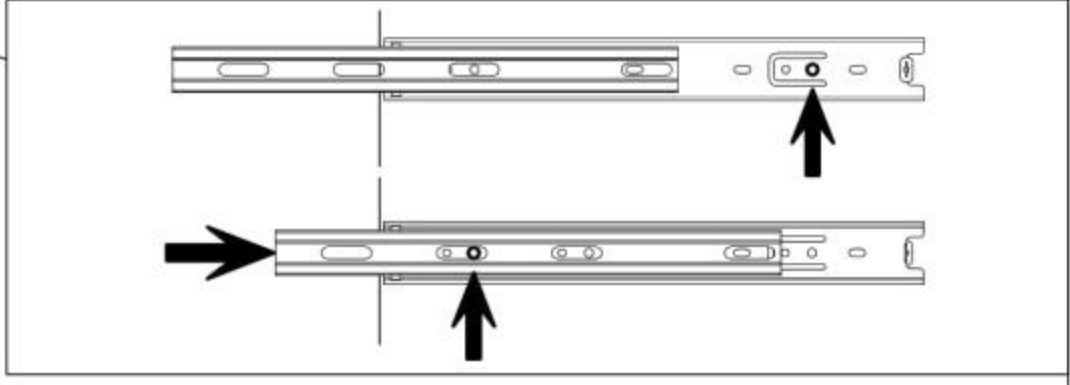
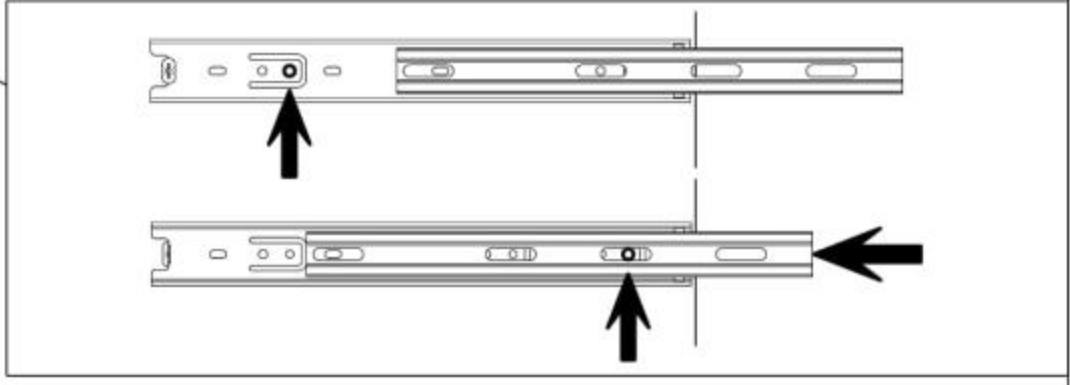
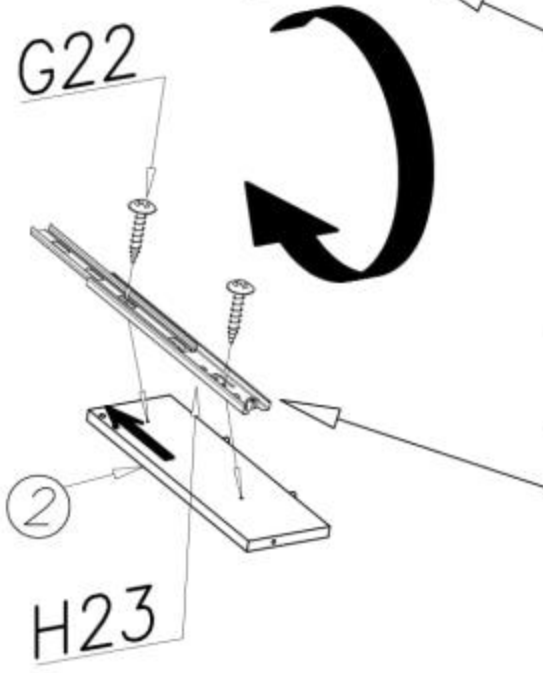
3



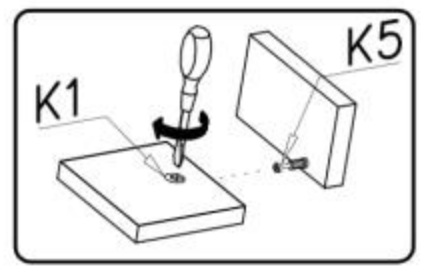
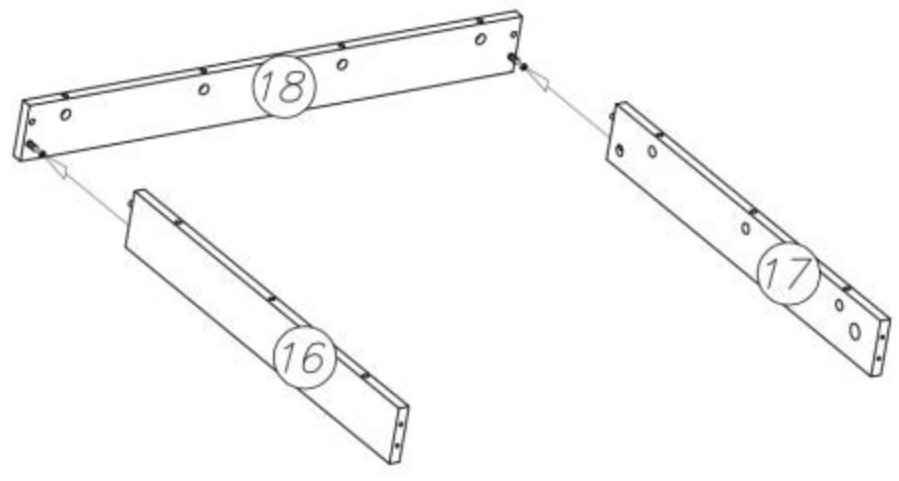
B1  2x
 Ø8x30

H23  1x
 H30-350mm

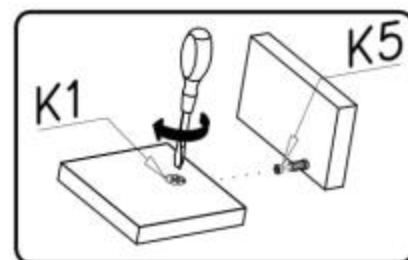
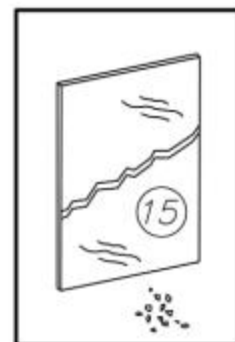
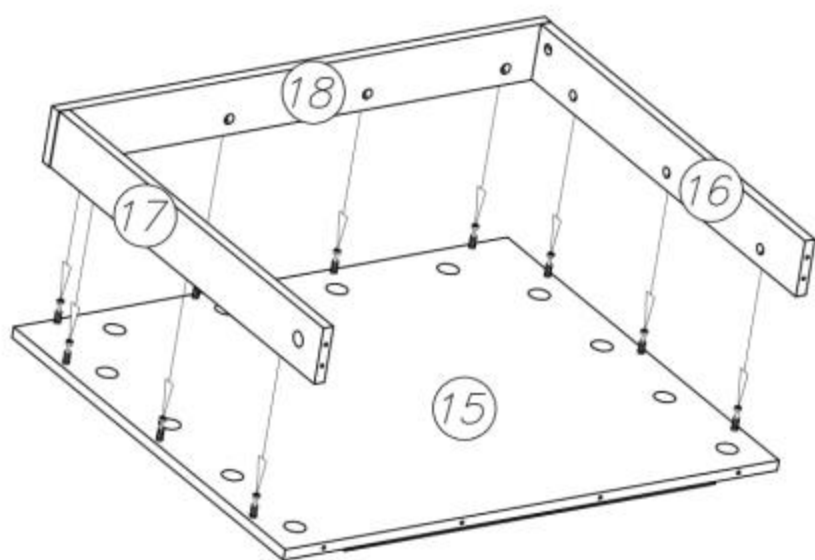
K1  2x
 Ø15x12
 G22  4x
 3x16



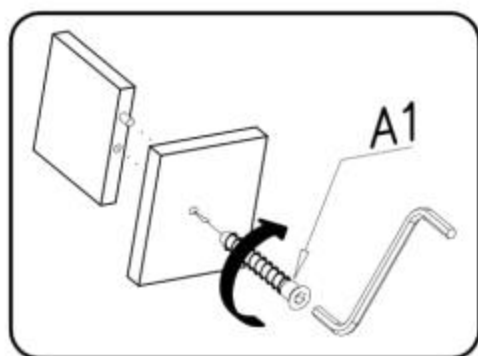
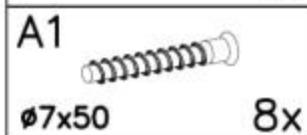
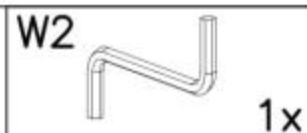
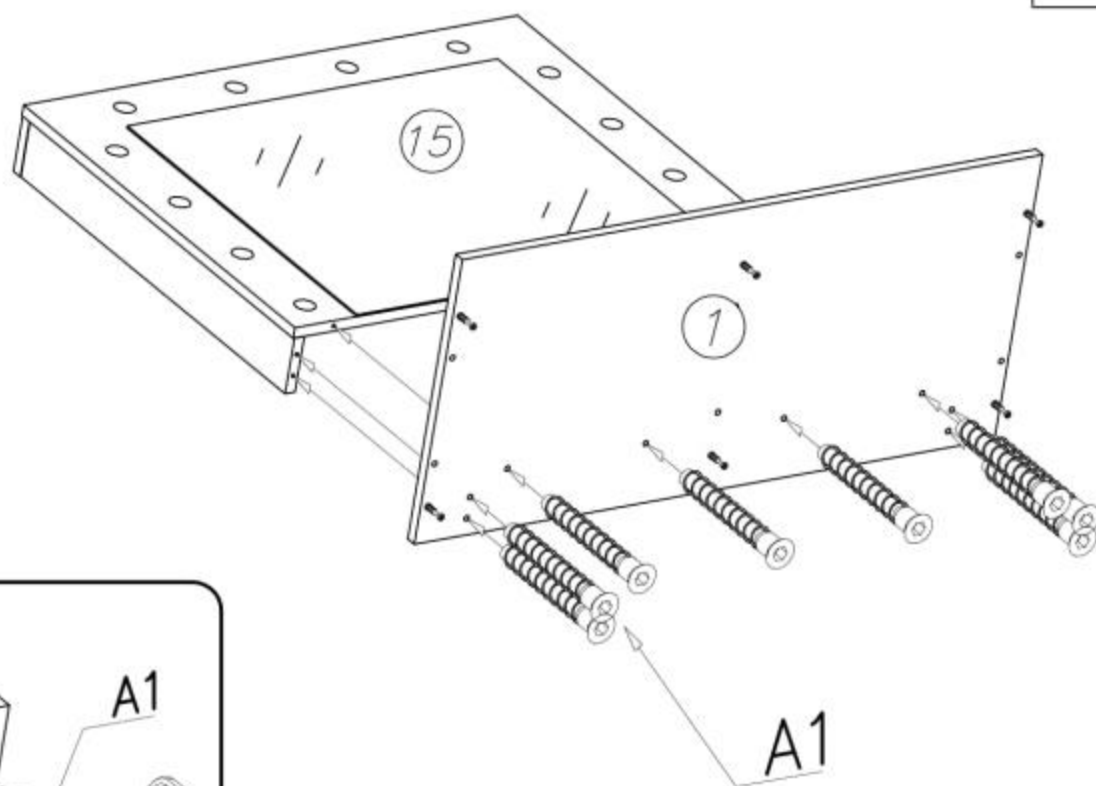
4



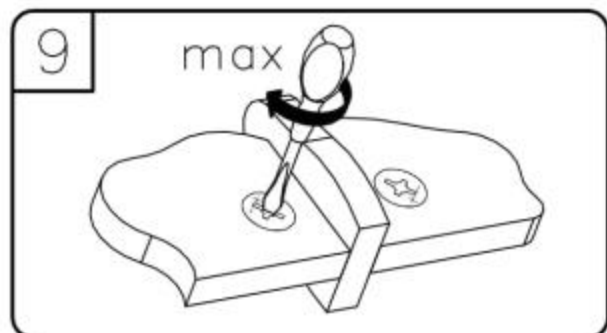
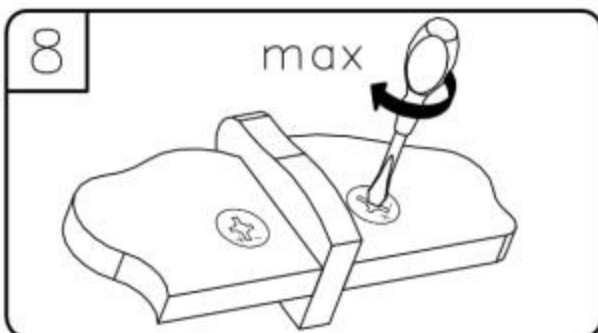
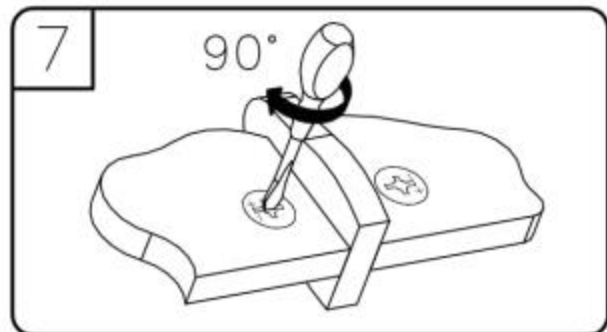
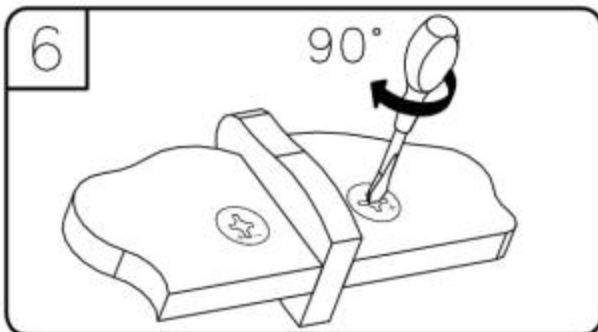
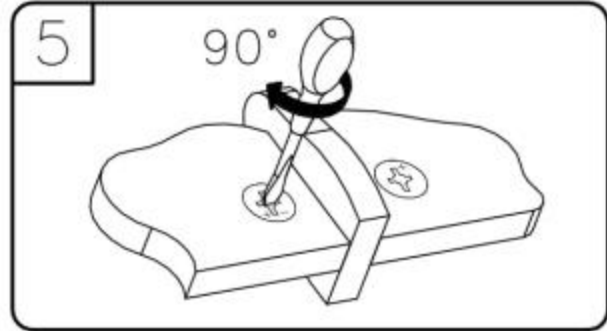
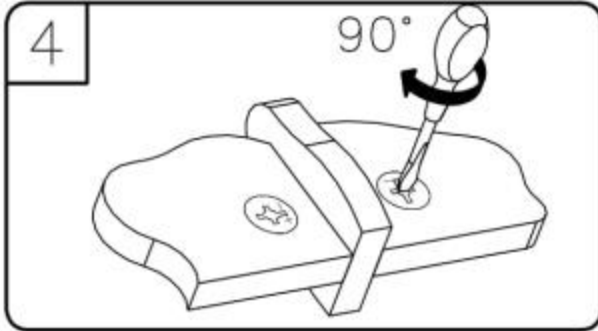
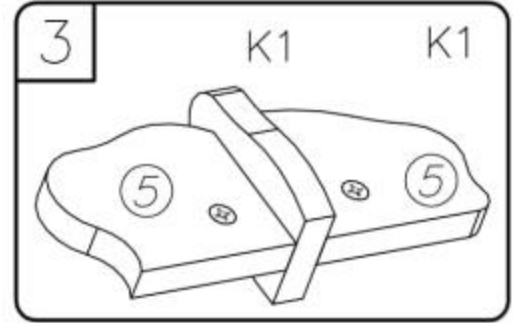
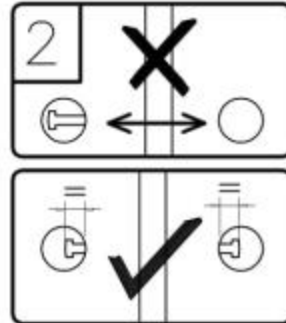
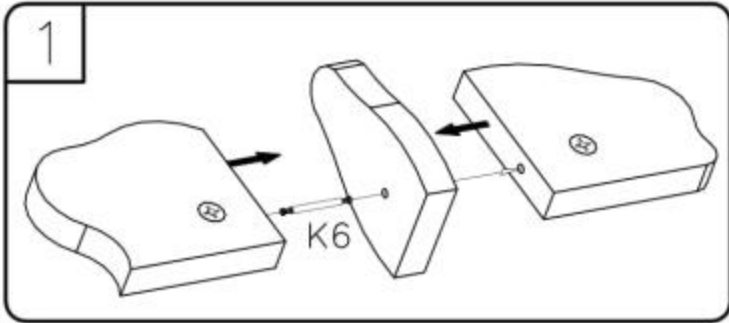
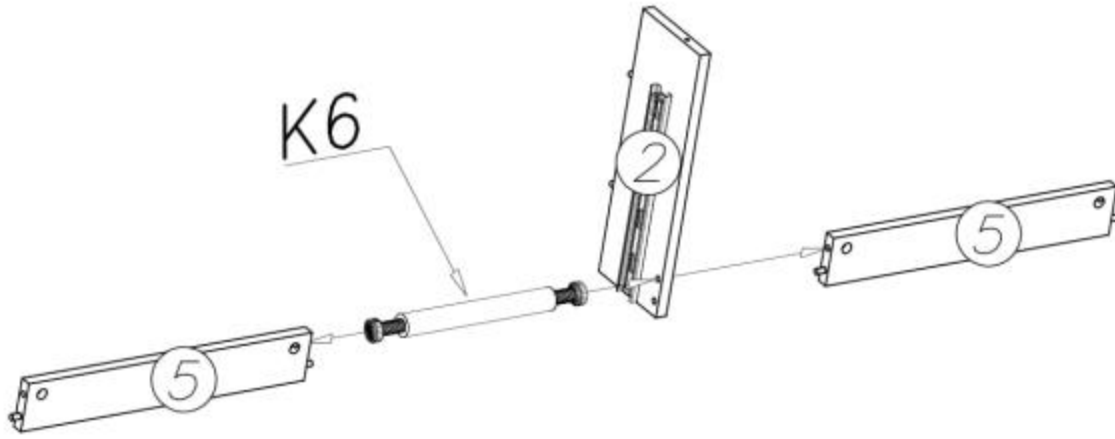
5



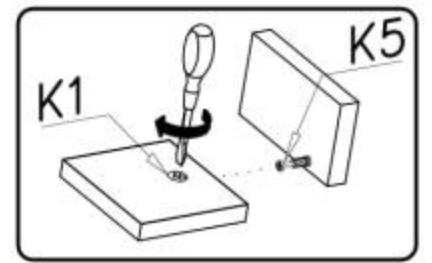
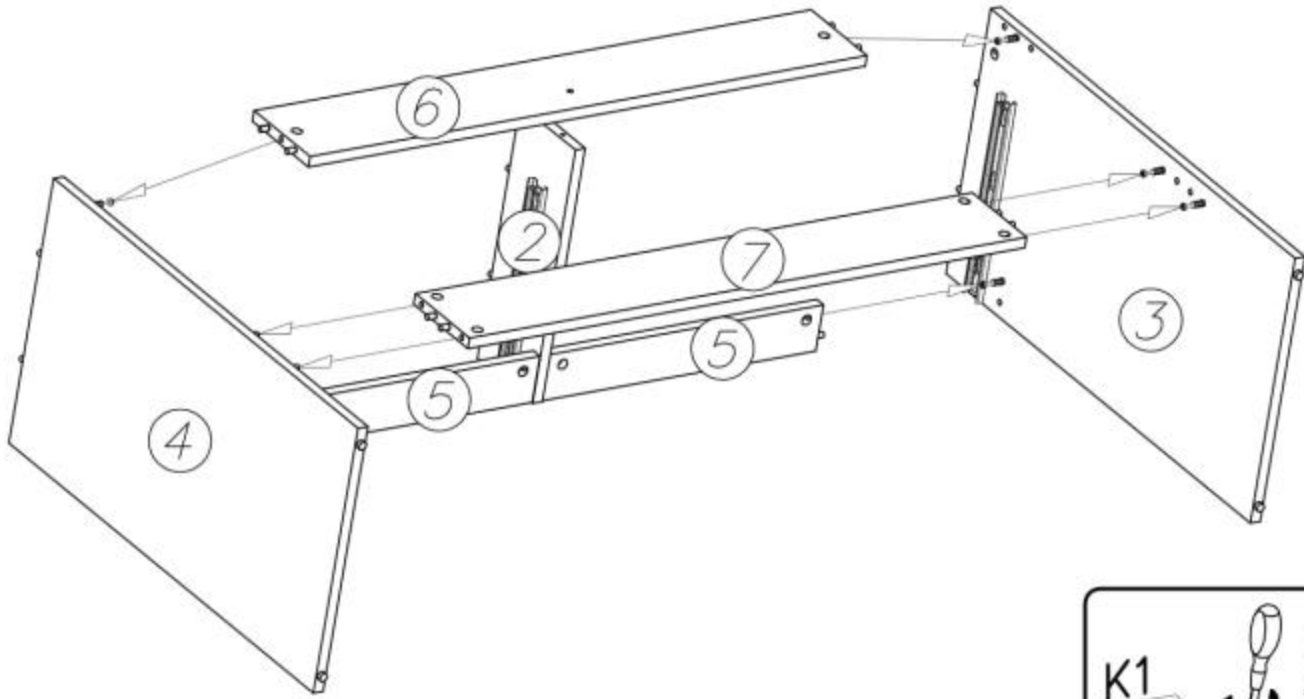
6



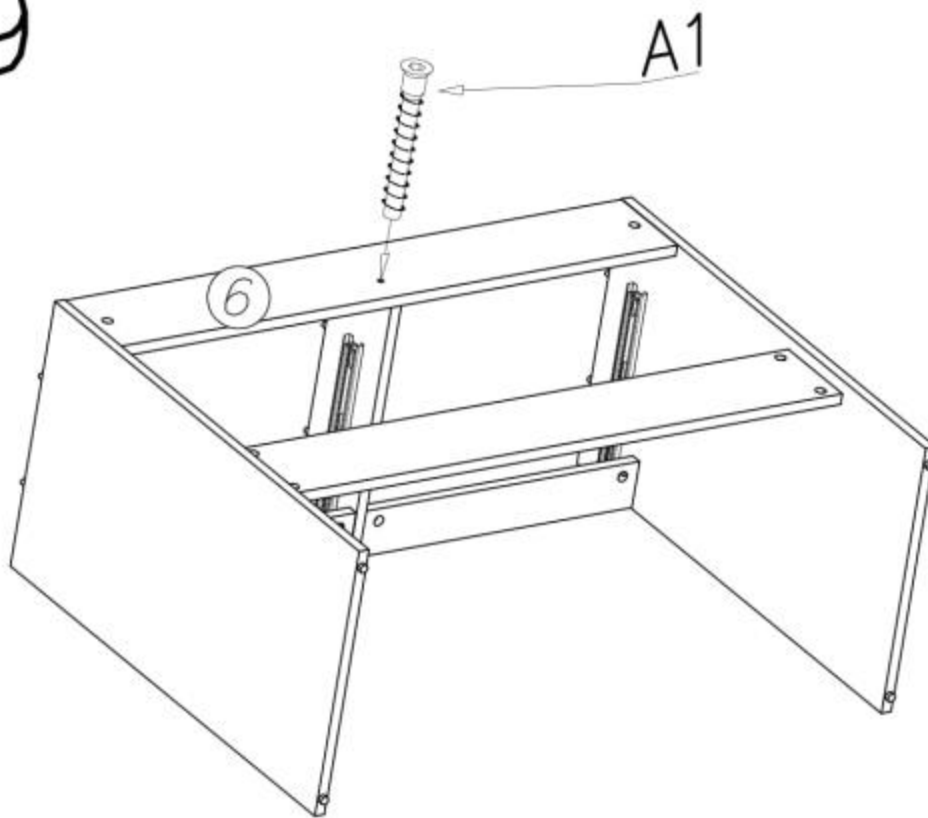
7



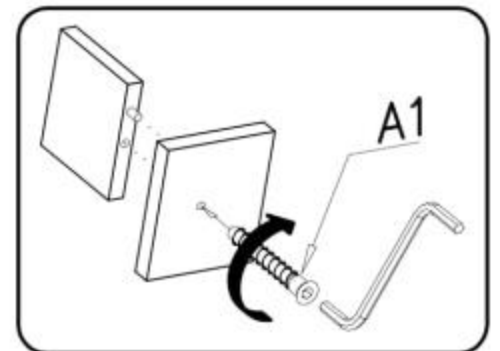
8



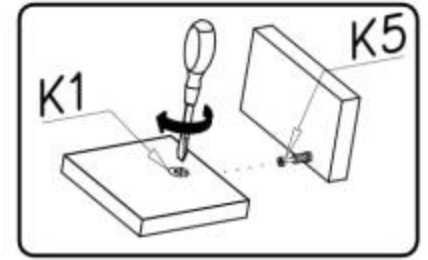
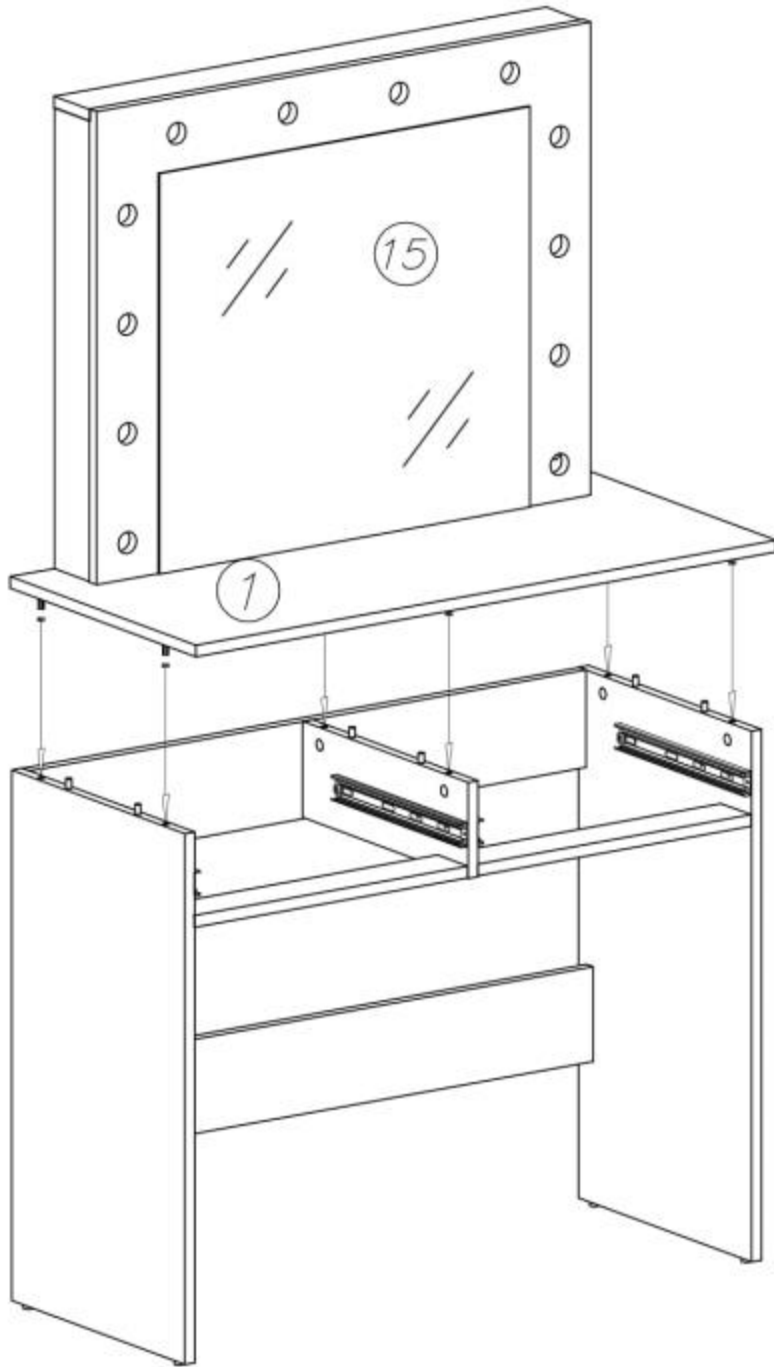
9



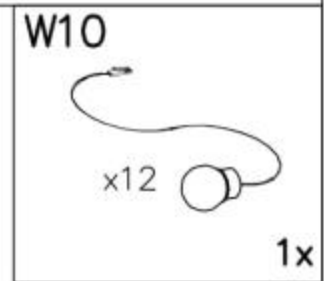
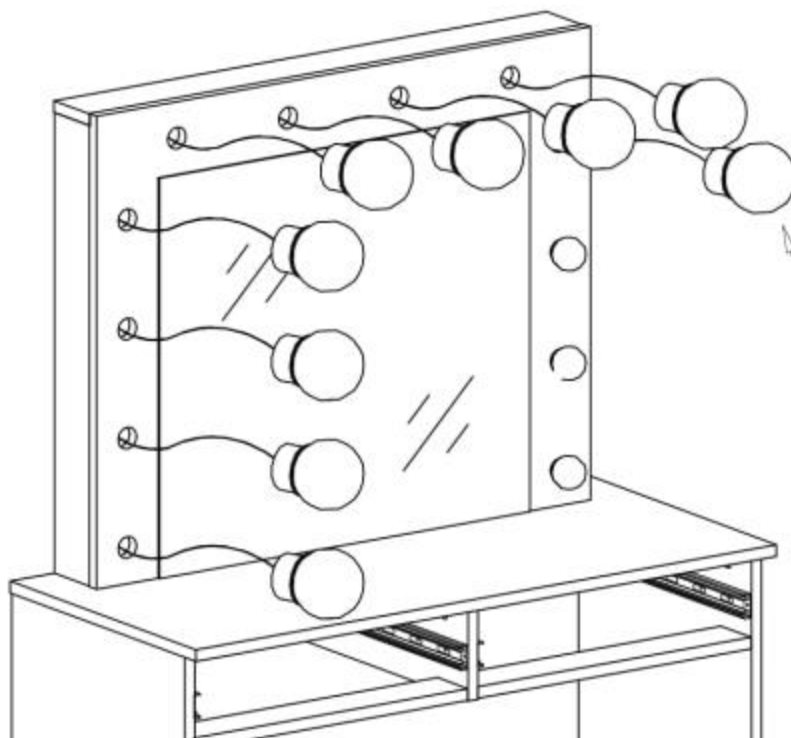
W2		1x
A1		1x
	Ø7x50	



10

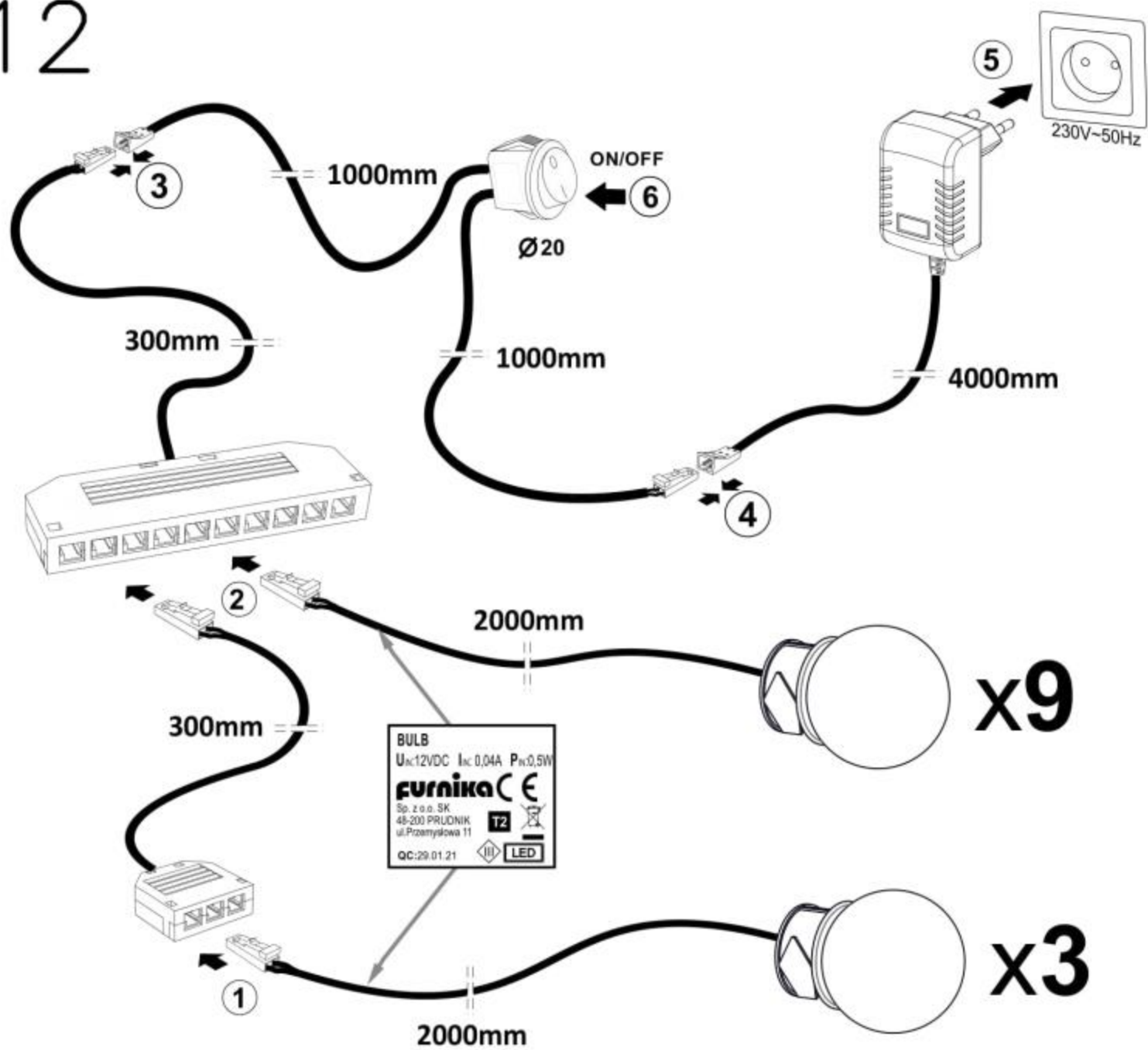


11

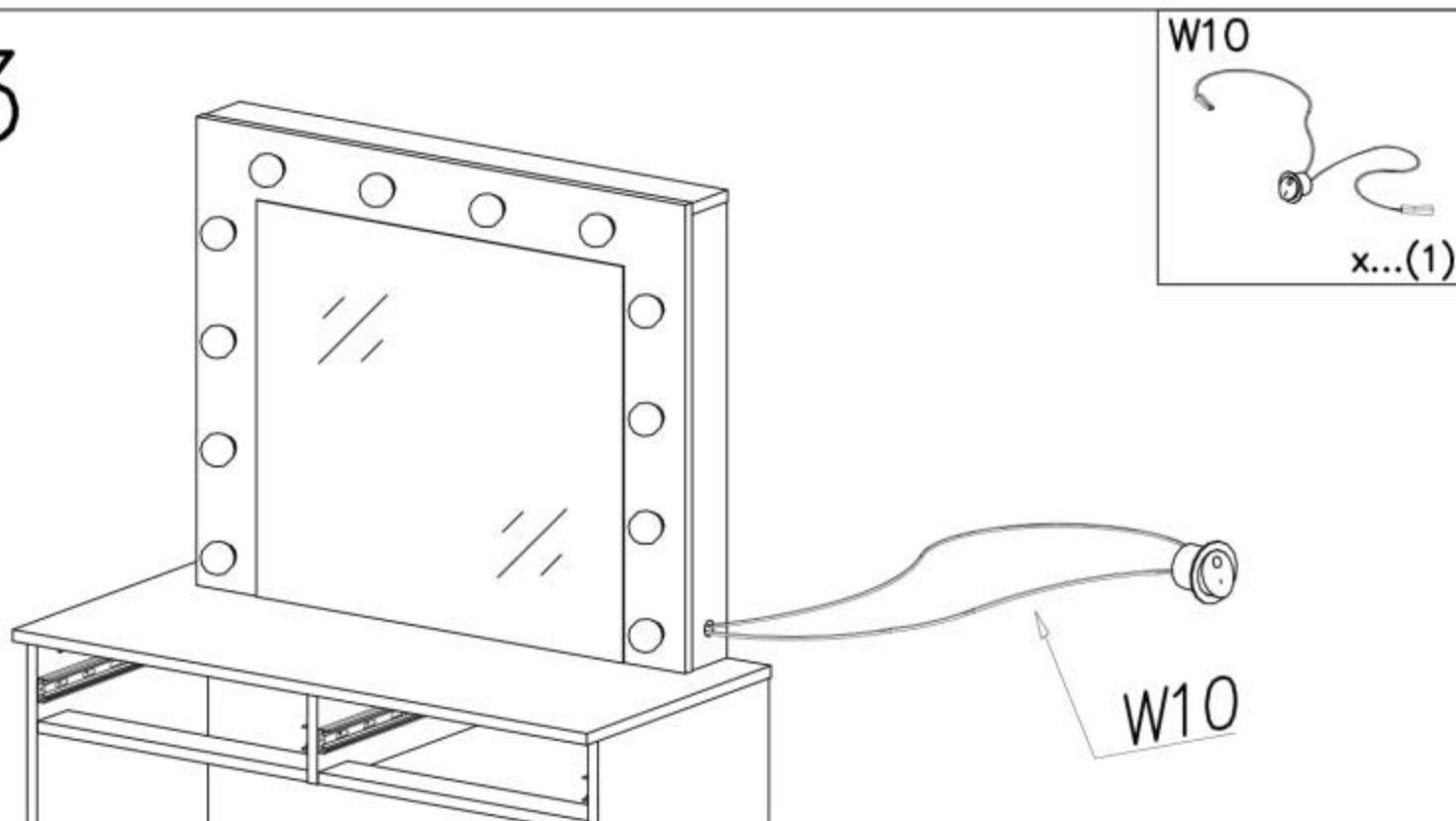


W10

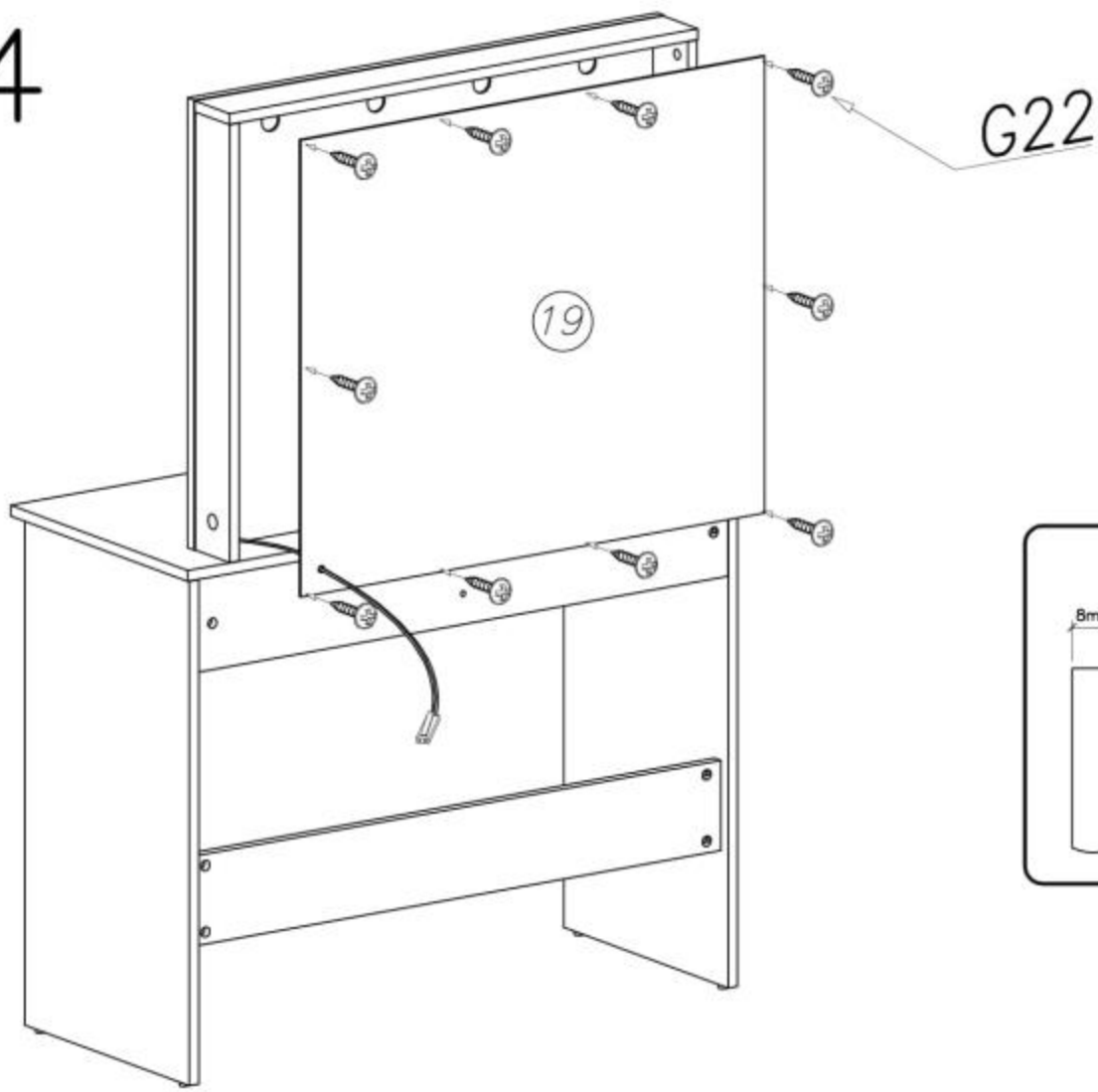
12



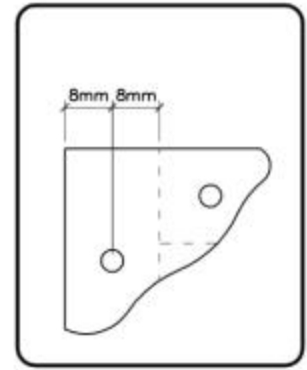
13



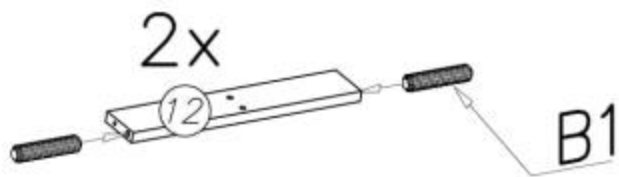
14



G22
3x16 10x



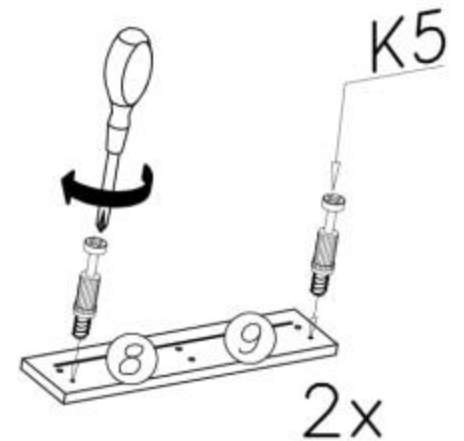
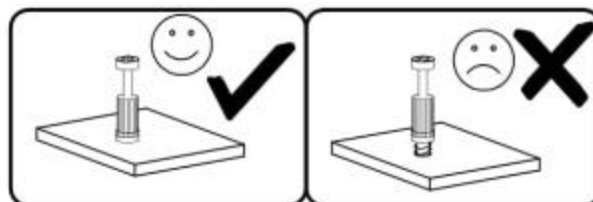
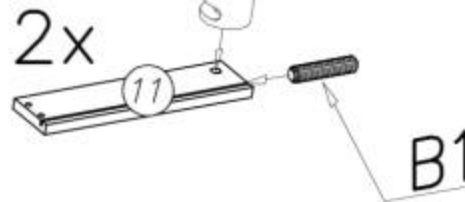
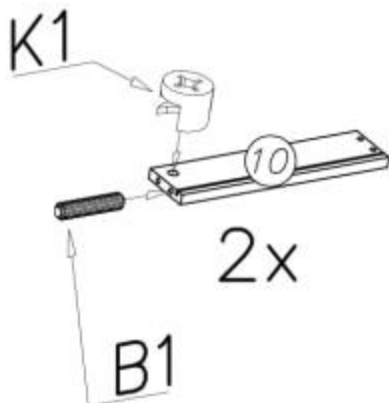
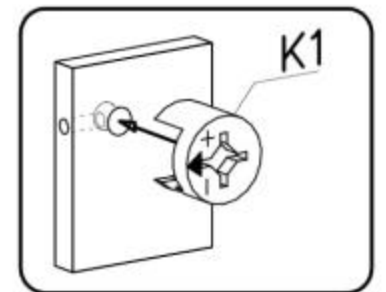
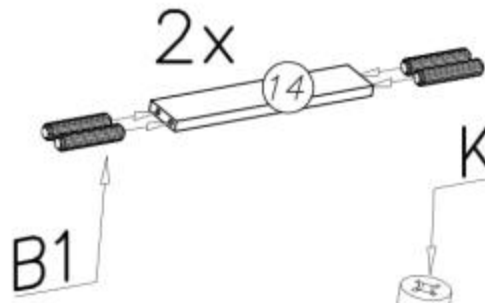
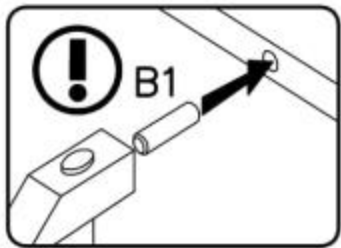
15



K1
ø15x12 4x

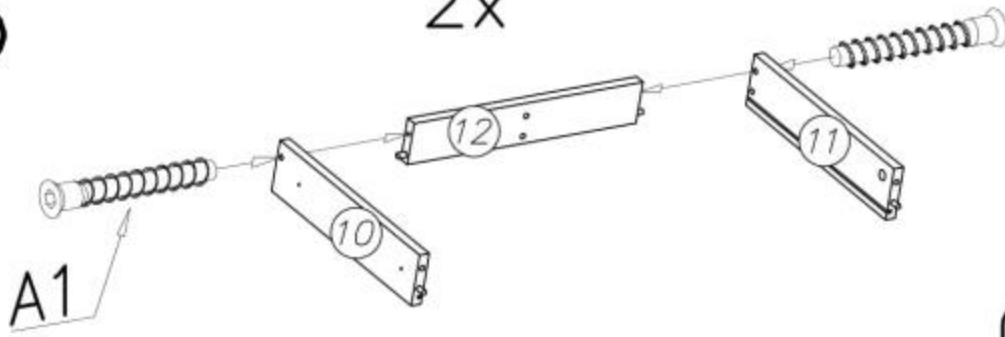
B1
ø8x30 16x

K5
4x

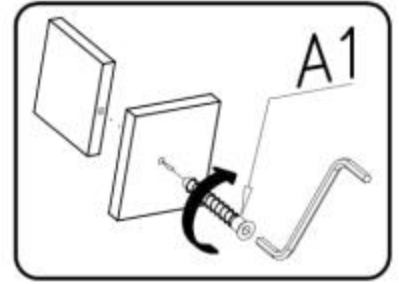
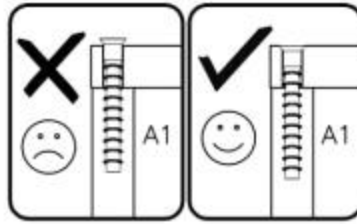


16

2x

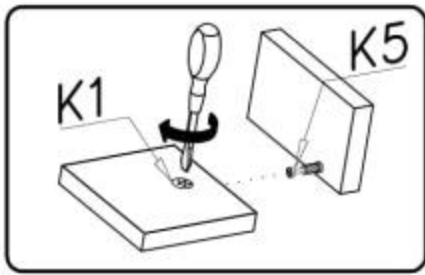
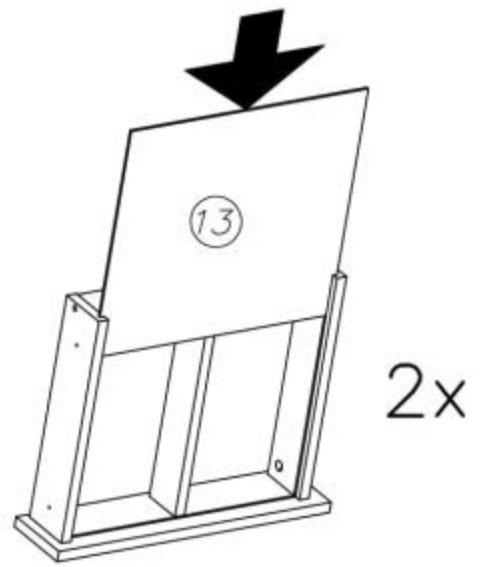
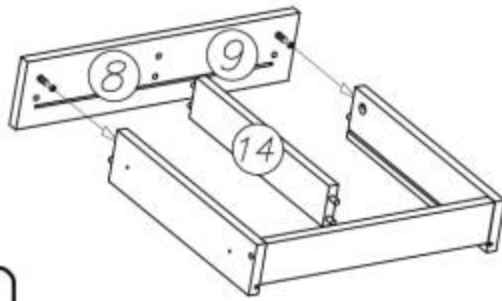


W2		1x
A1		4x
ø7x50		



17

2x

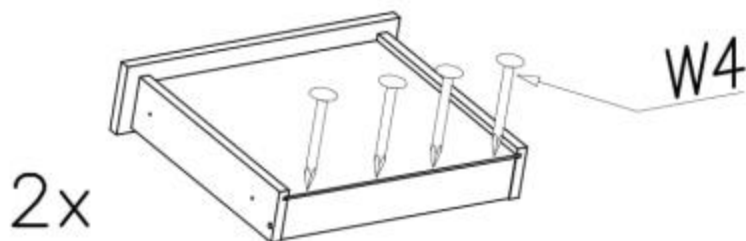
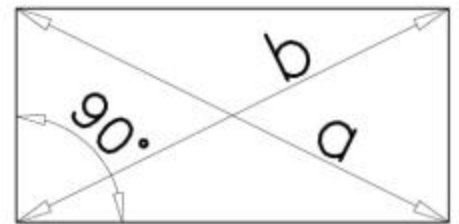
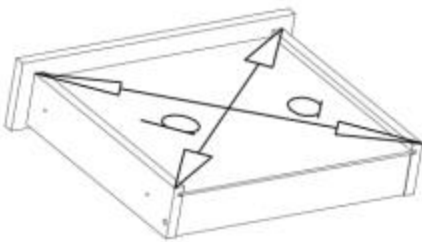


18

a=b

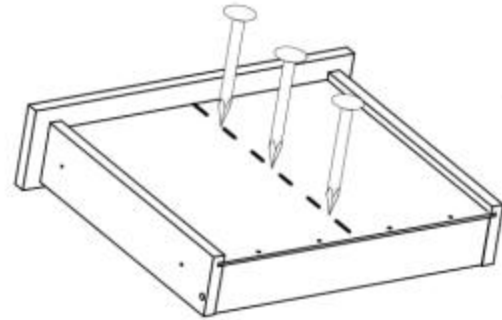
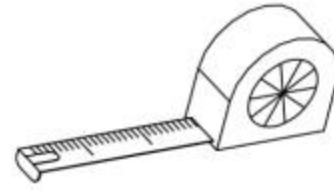
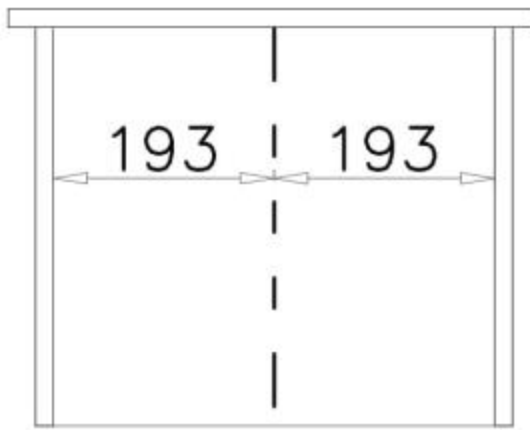


W4		8x
ø1,4x20		



19

W4
ø1,4x20 6x

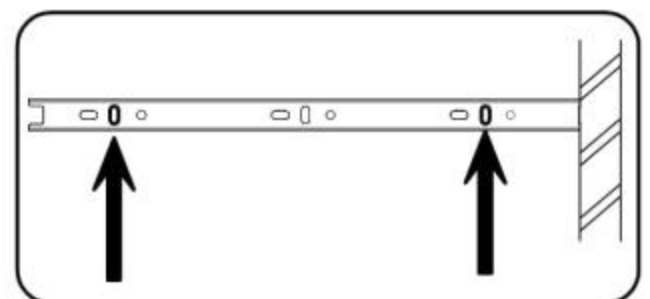
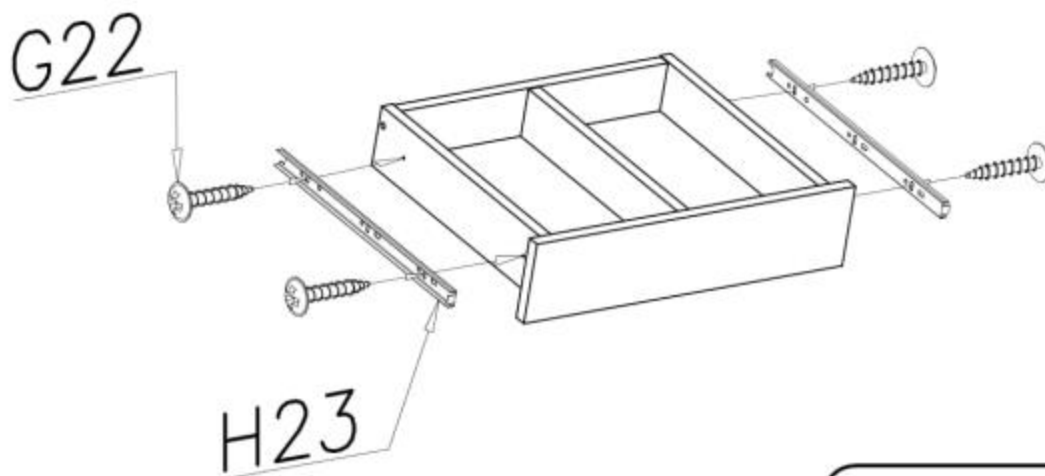


2x

20

G22
3x16 8x

H23
H30-350mm 2x



21



$A \neq B$
 $A > B$

$B \neq A$
 $B < A$



17
ø18 14x

