
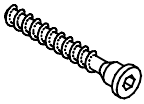



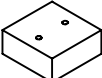



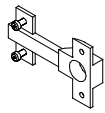
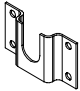
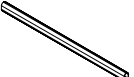
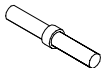
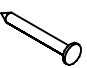

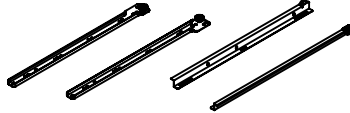


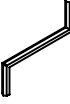
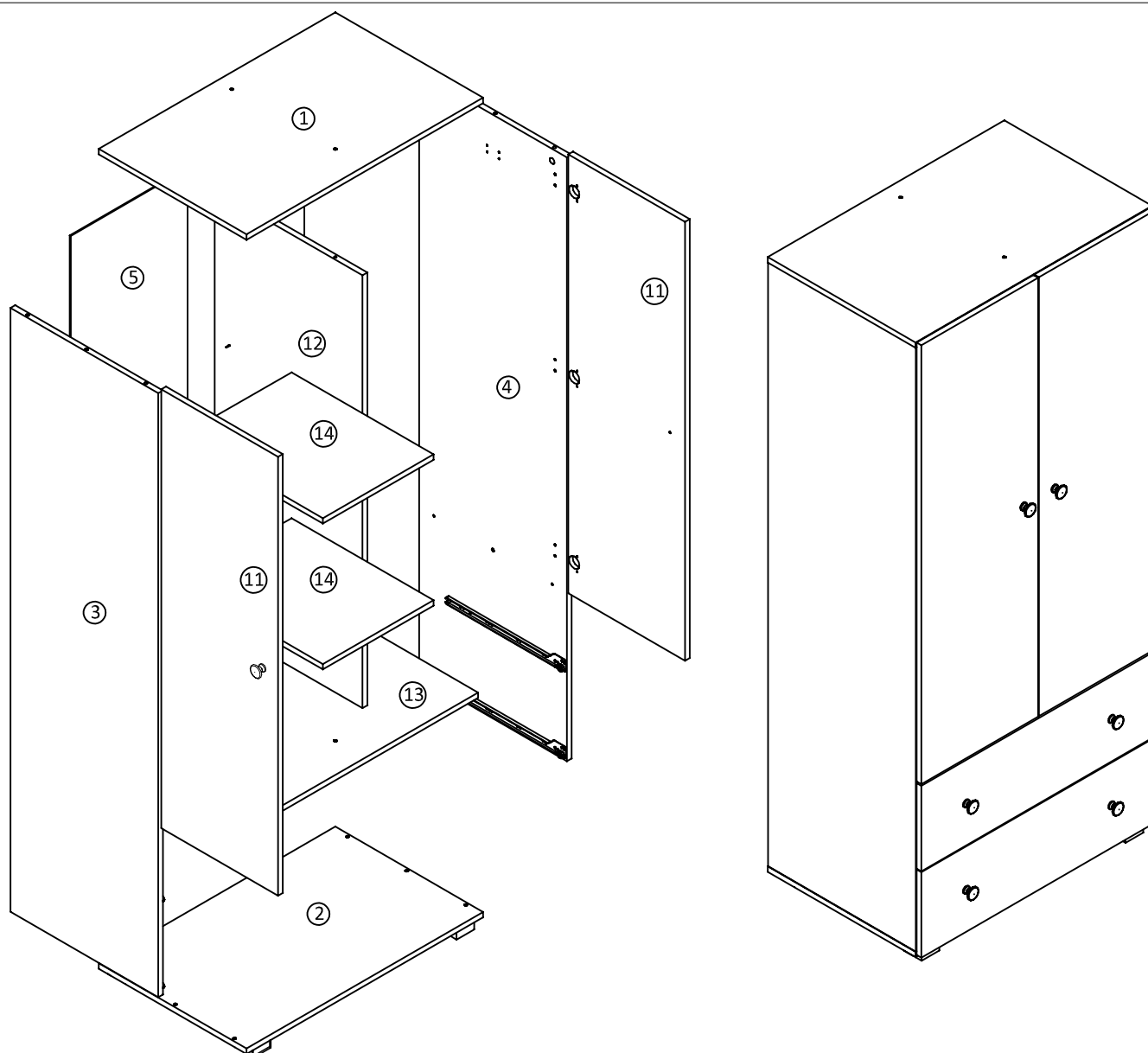
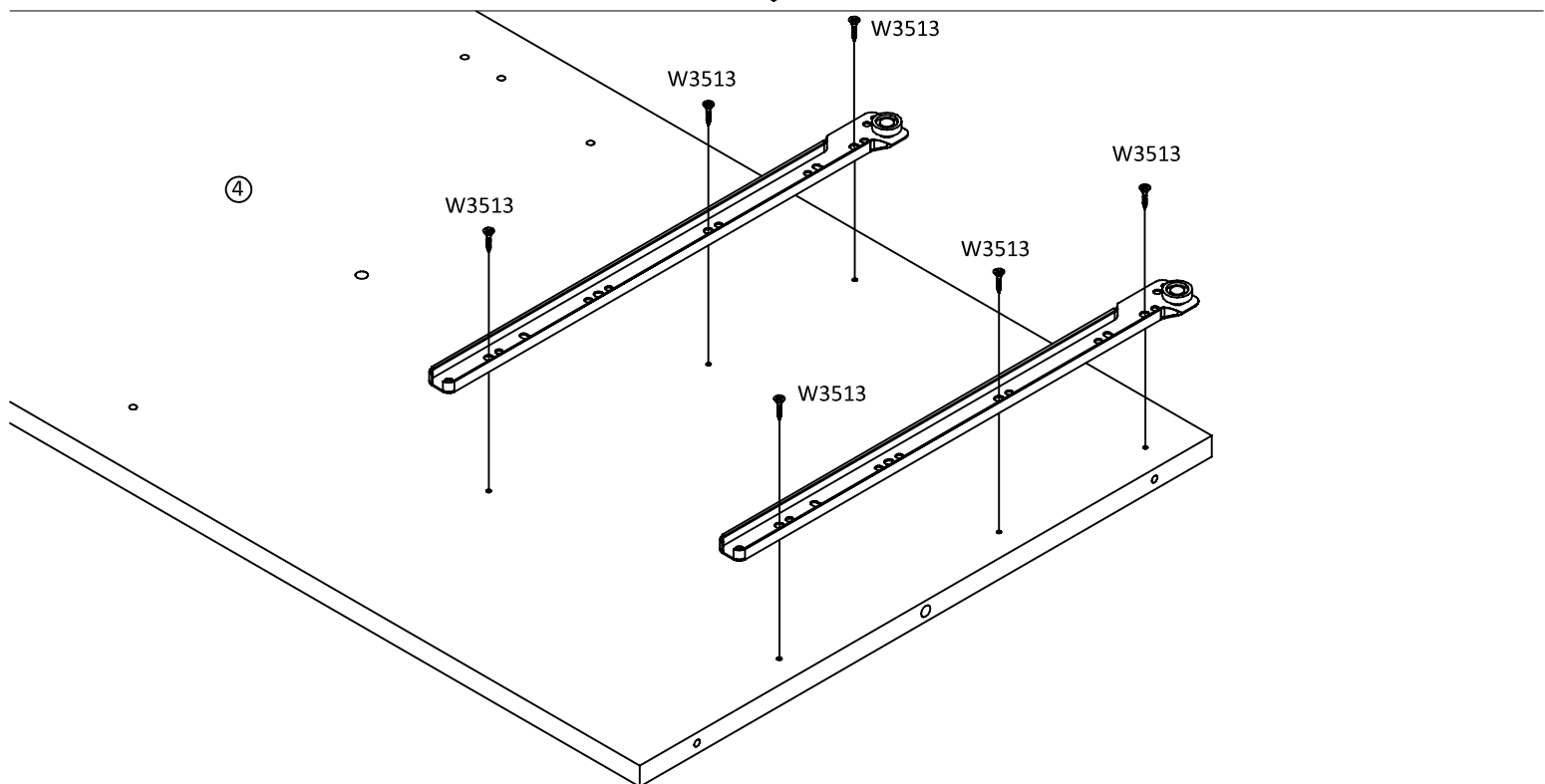
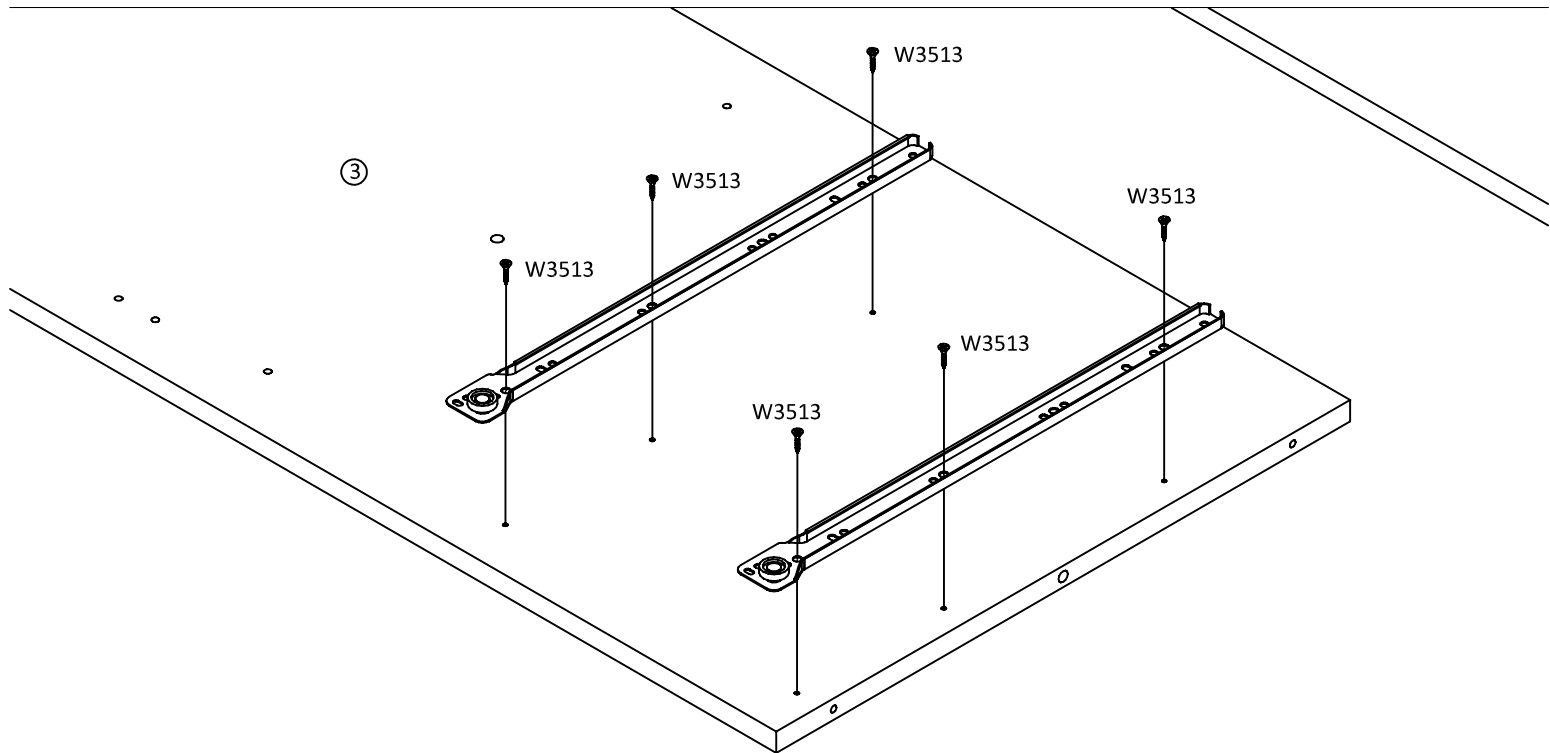
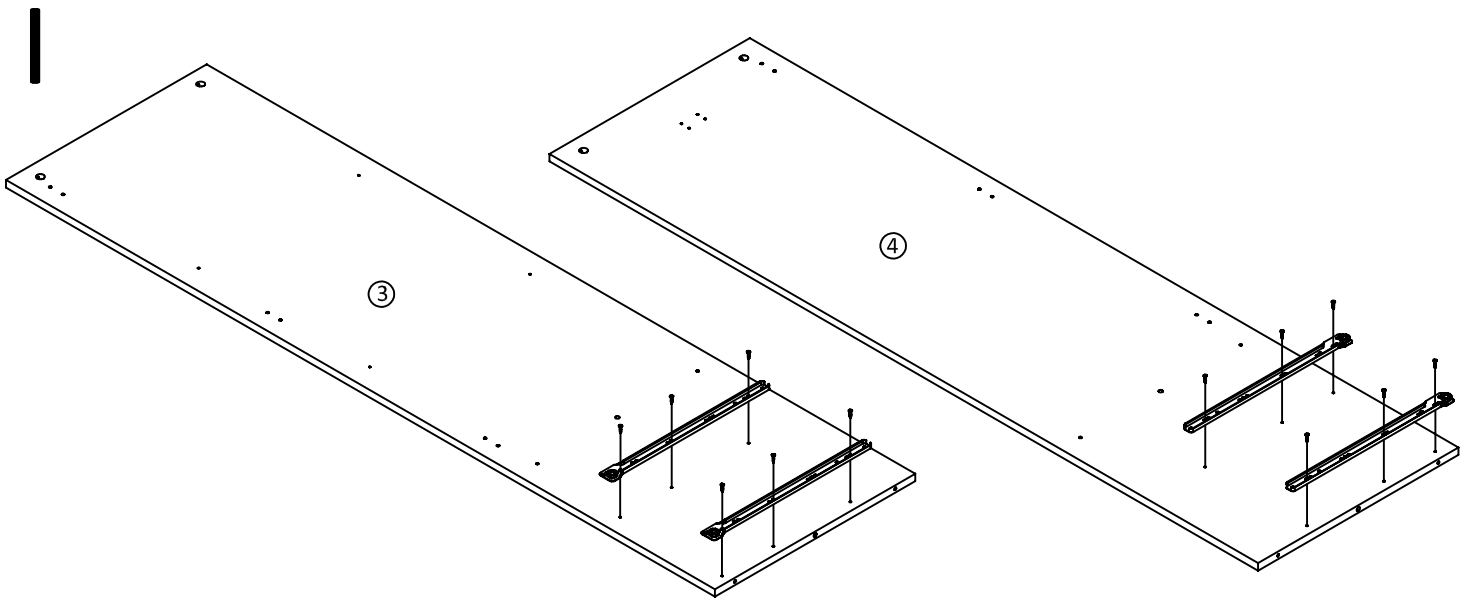
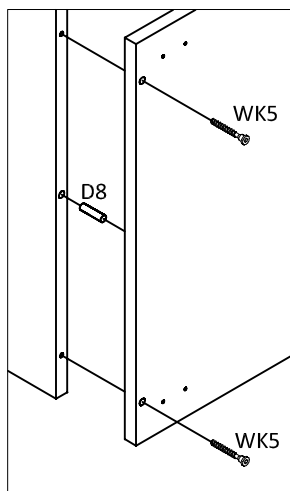
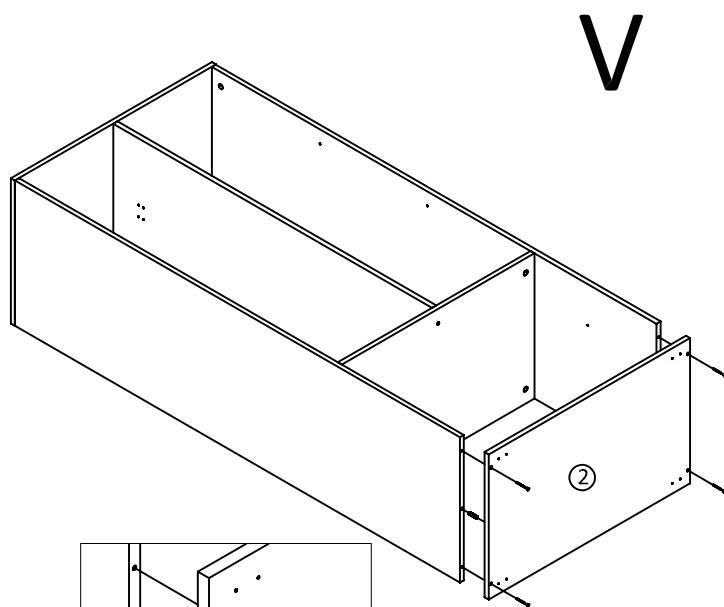
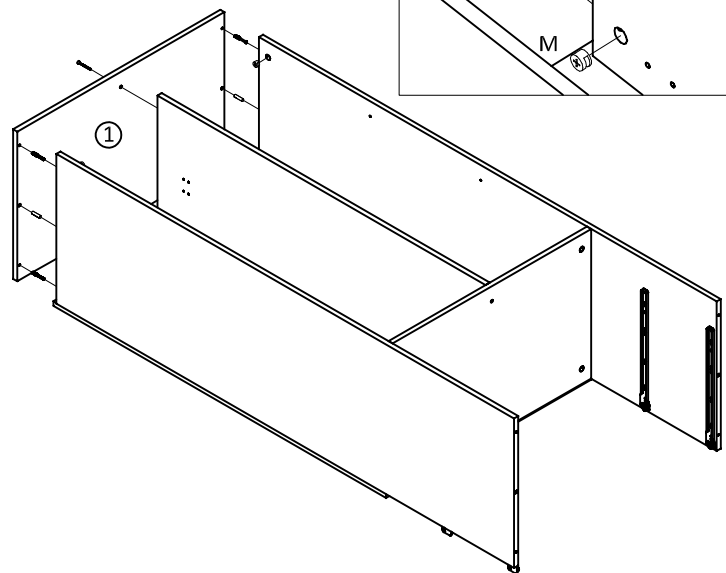
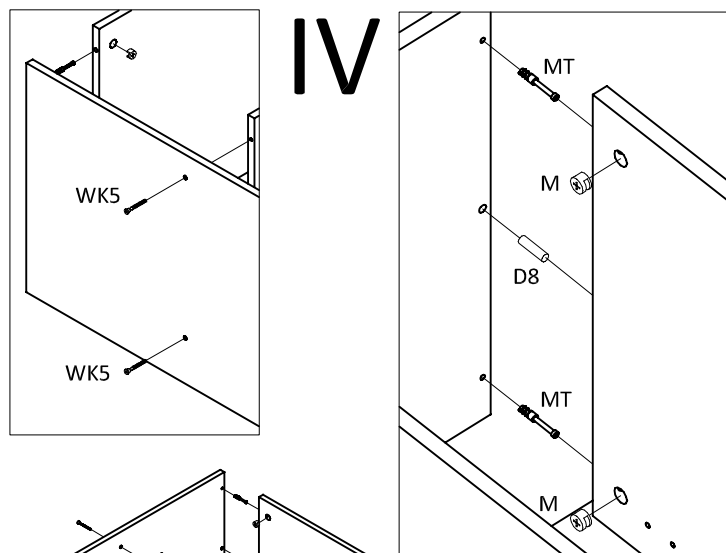
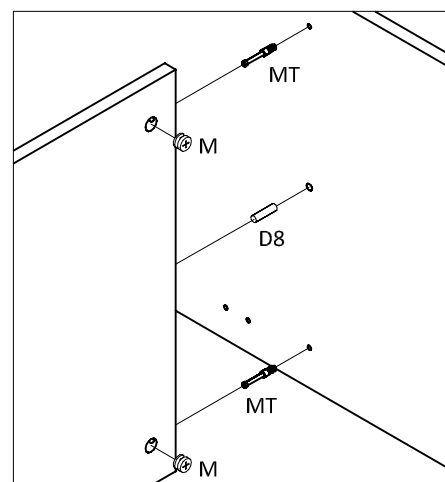
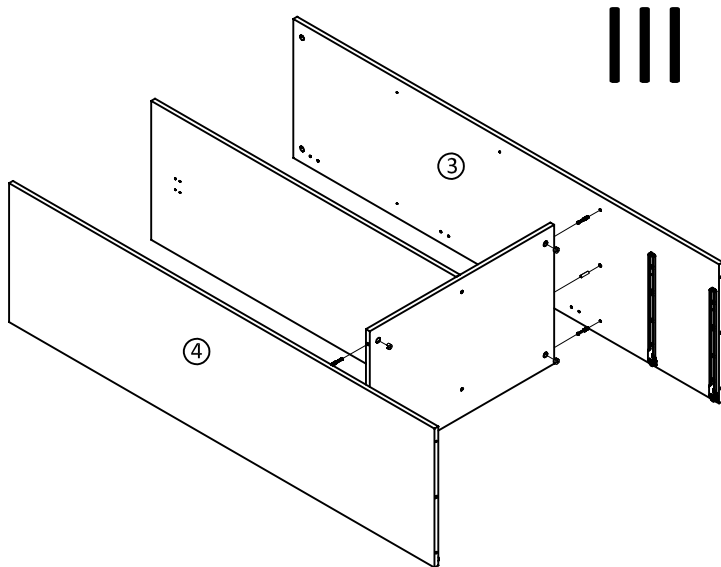
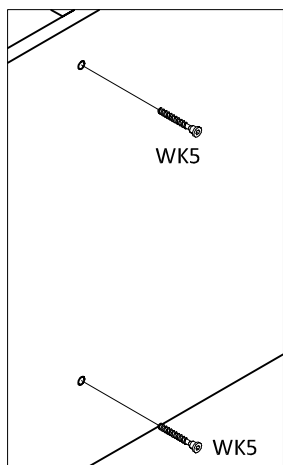
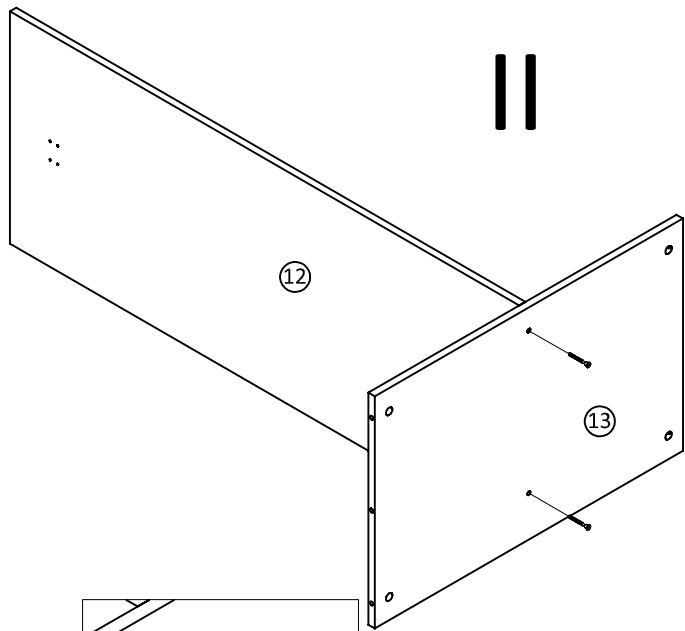
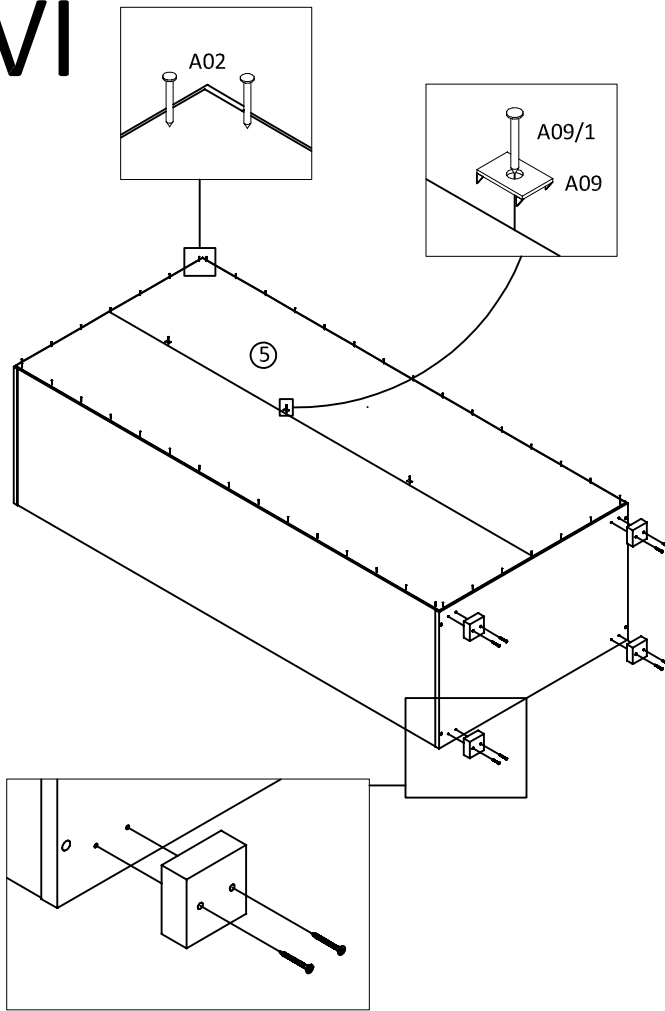
 MT x16 35x30	 M x16	 WK5 x16 7x50	 D8 x6 8x30	 W3516 x25 3.5x16	 W3513 x20 3.5x13	 S2 x4
 W3530 x8 35x30	 U1 x6	 W4128 x6 4.1x28	 ZP x6	 D0 x2	 D1 x1	 A04 x8
 A02 x40	 A09 x3 A09/1 x3	 PR x3		 A06 x1	 A05 x1	 A01 x1



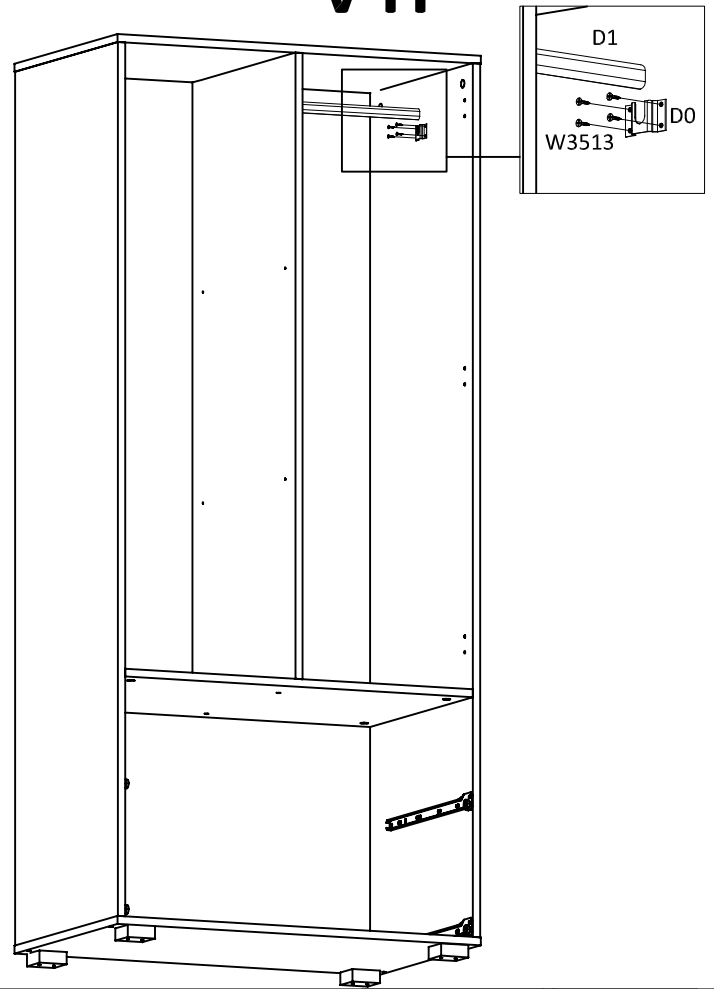




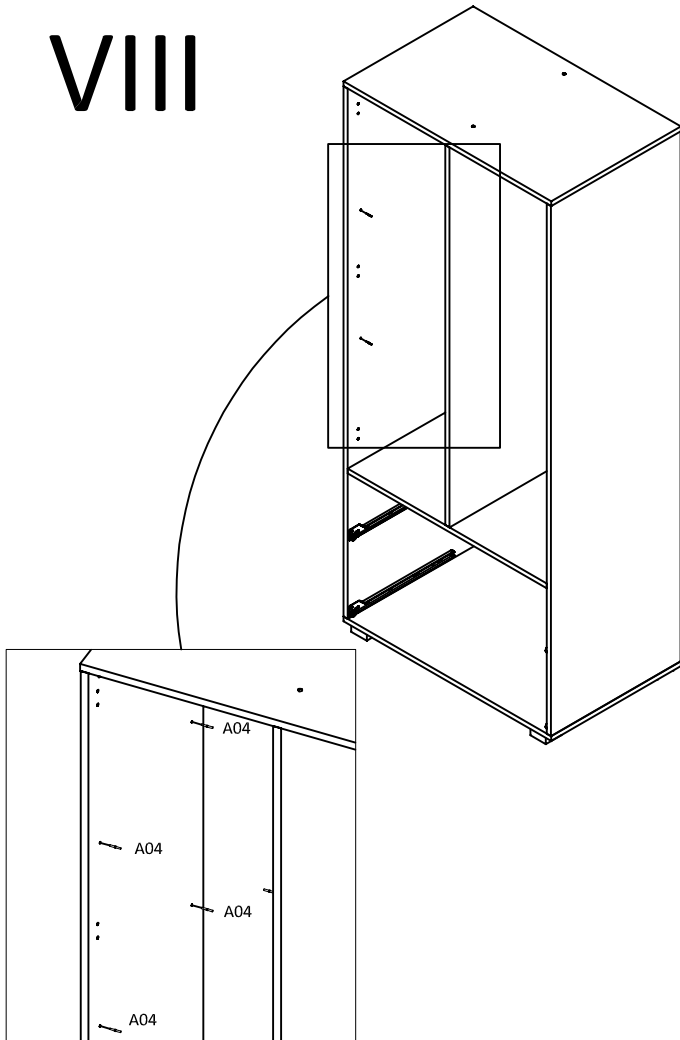
# VI



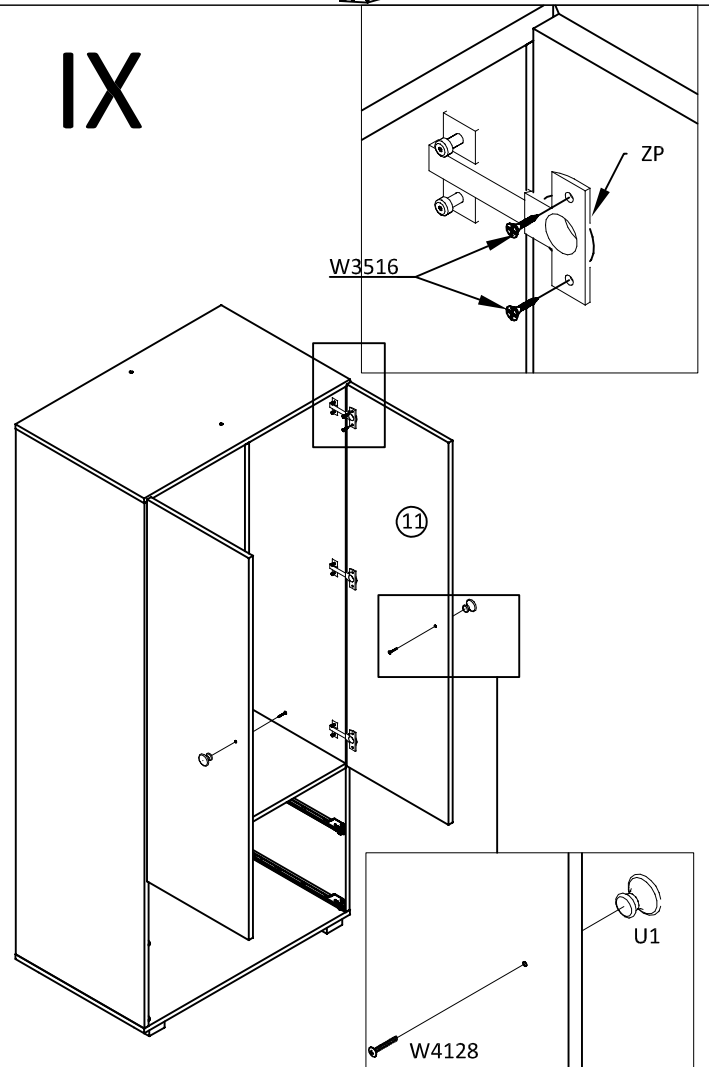
# VII



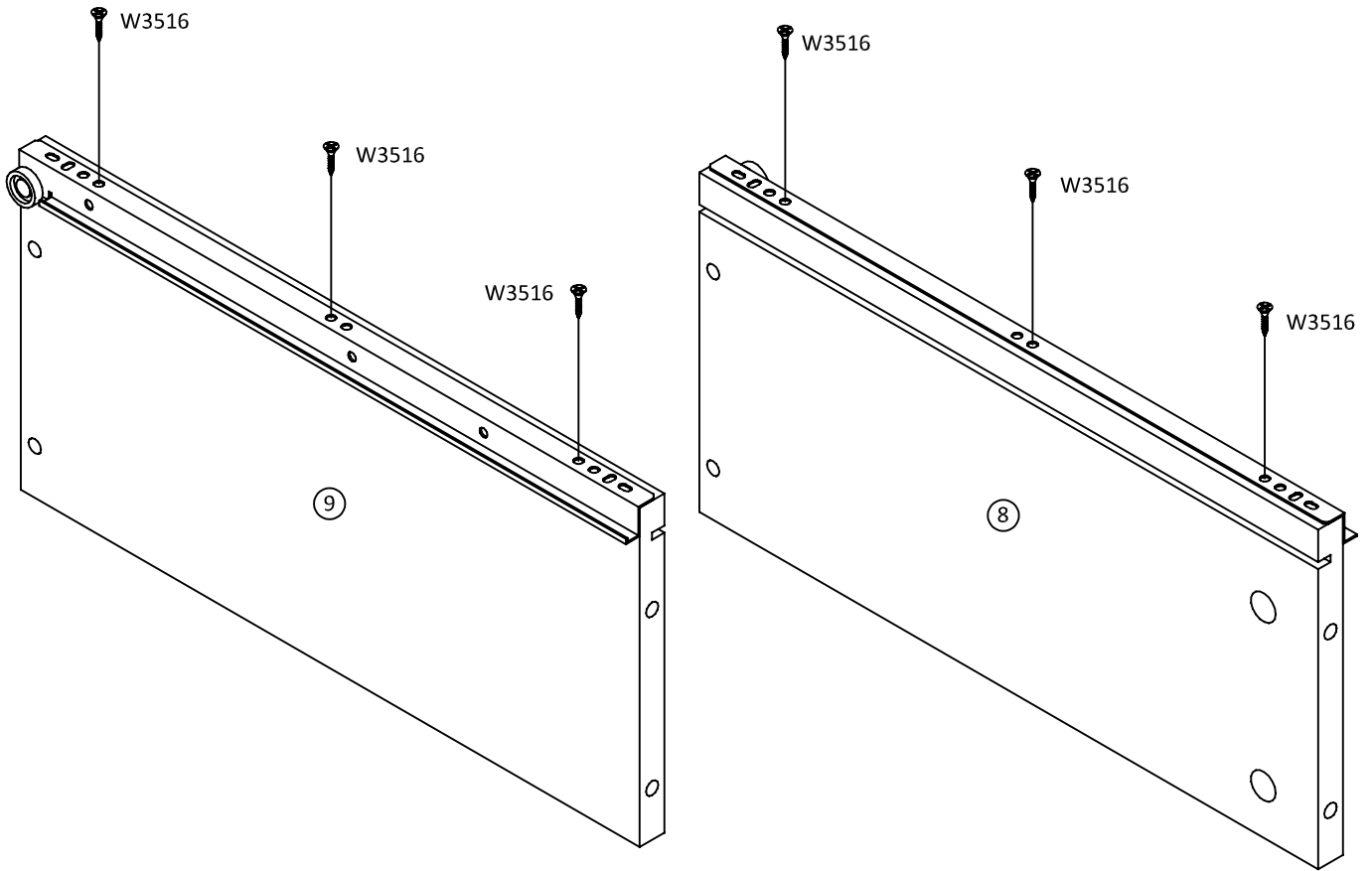
# VIII



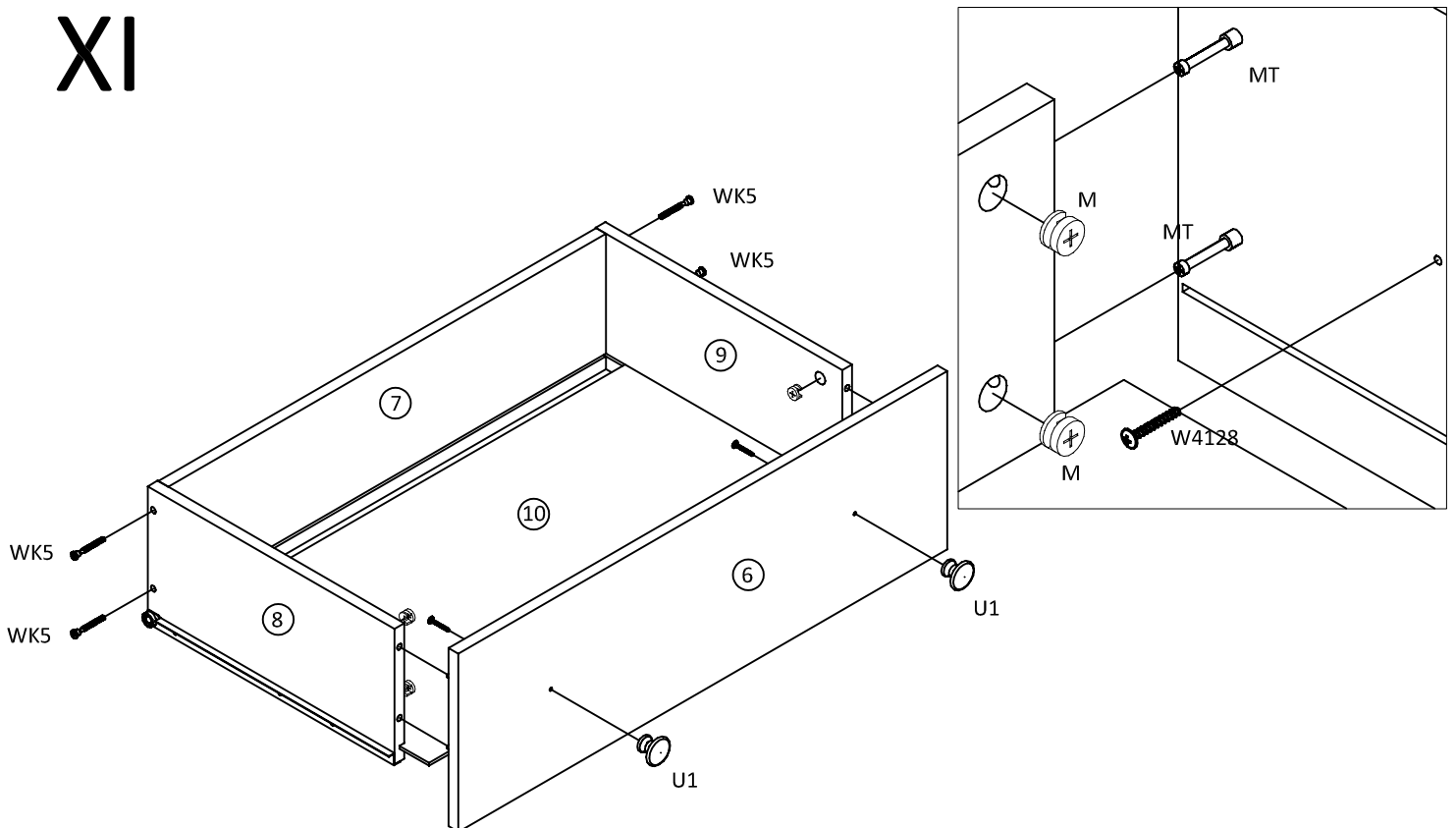
# IX



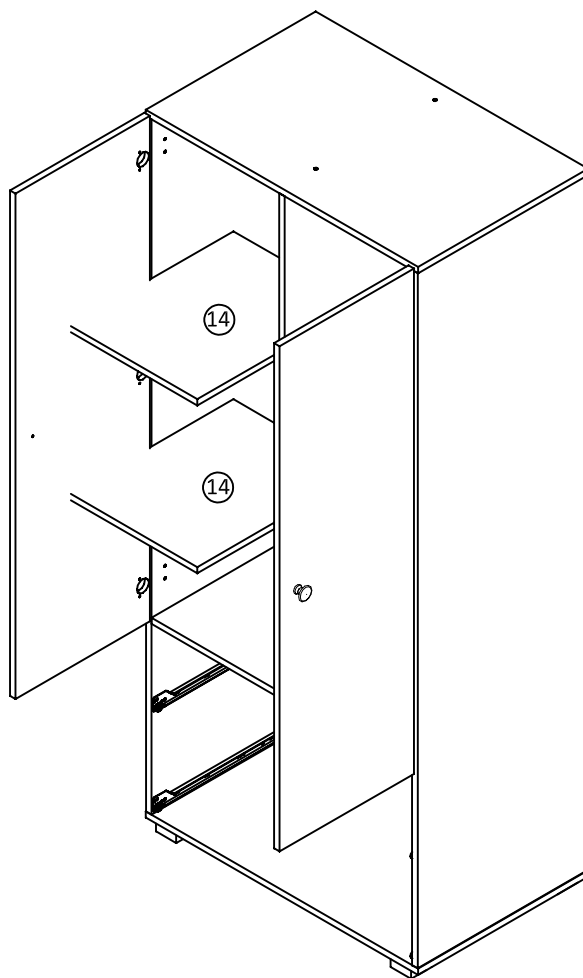
# X



# XI



# XII



# XIII

