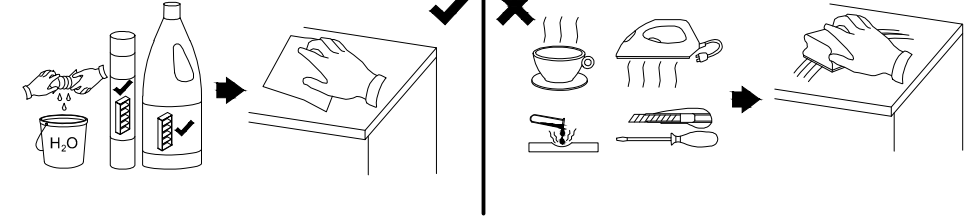
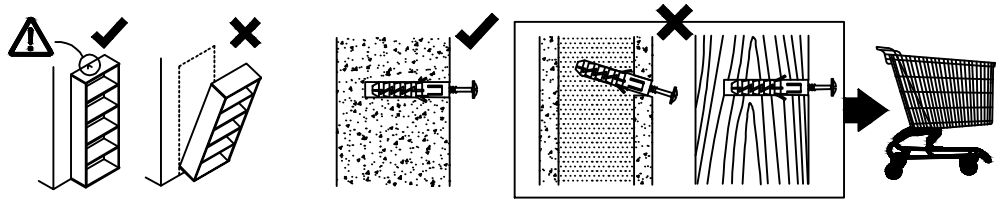
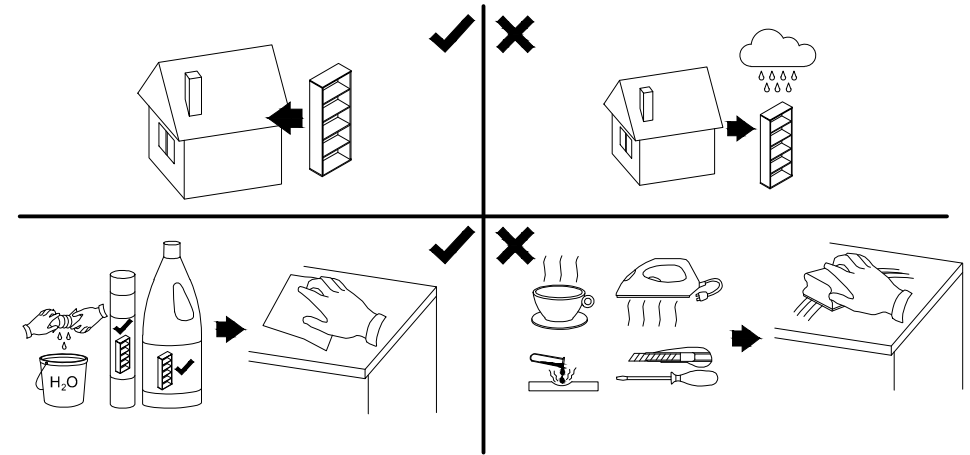
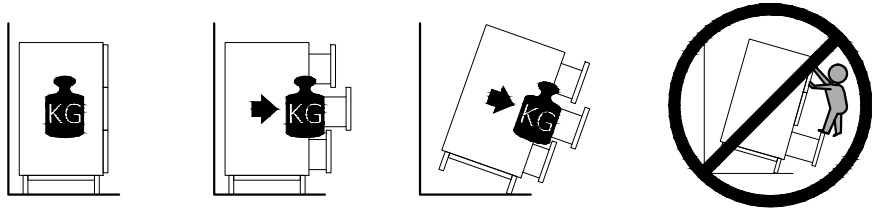
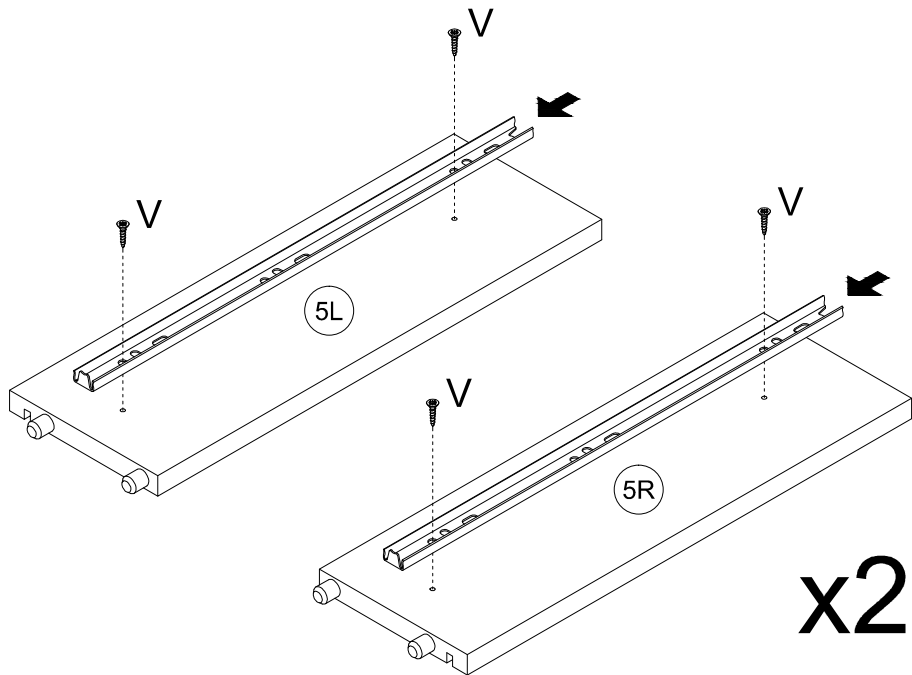
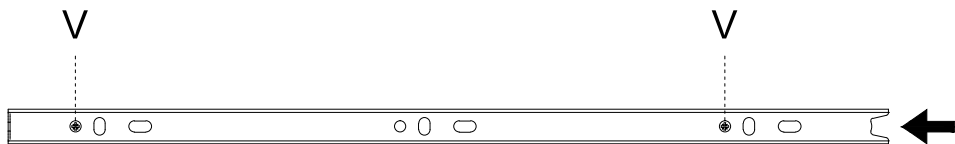
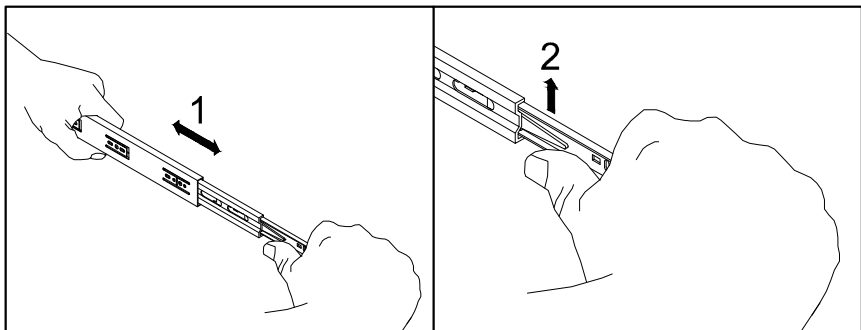


A 8x32 x12	B x12				
C x12	DY H-10mm x4	GLUE x1	N 3x20 x5	ND 3,5x16 x25	
NE 4x16 x6	M4 4x22 x4	PPW 300 x4	R4 x4	TA x1	
W+H2 x4	V 3x13 x8	X x12	ZK x6	ZZ x8	

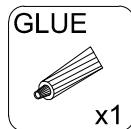
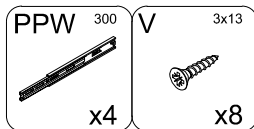
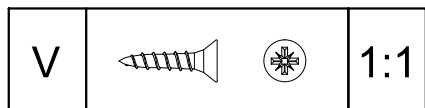
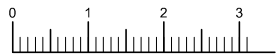
1	1035	390	16	x2	2 / 2
2L	600	390	16	x1	2 / 2
2R	600	390	16	x1	2 / 2
3	600	341	16	x1	2 / 2
4	491	335	16	x2	2 / 2
5L	300	100	12	x2	2 / 2
5R	300	100	12	x2	2 / 2
6	435	100	12	x2	2 / 2
7	444	298	2.5	x2	2 / 2
8	496	165	16	x2	2 / 2
9	496	426	16	x2	2 / 2
10	1014	612	2.5	x1	2 / 2



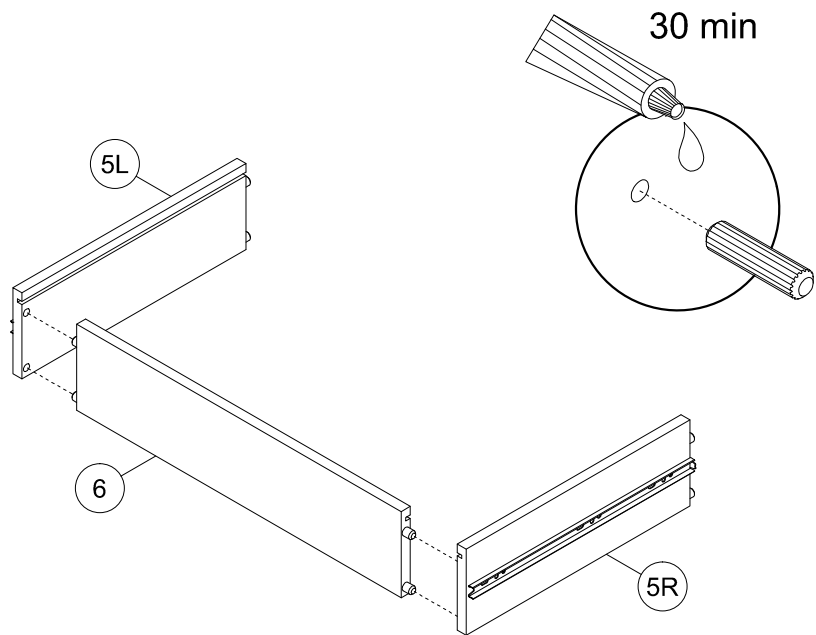
1



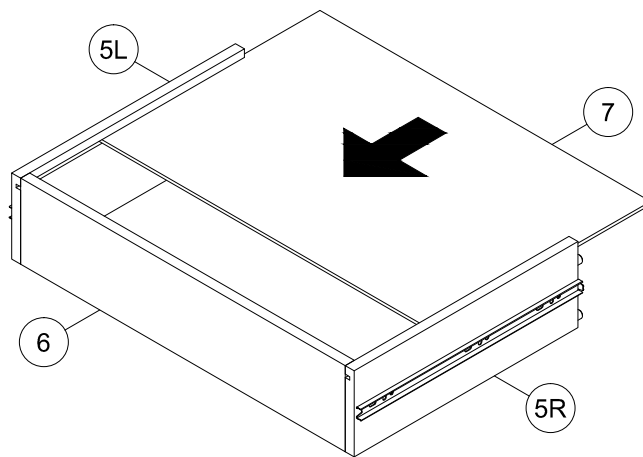
x2



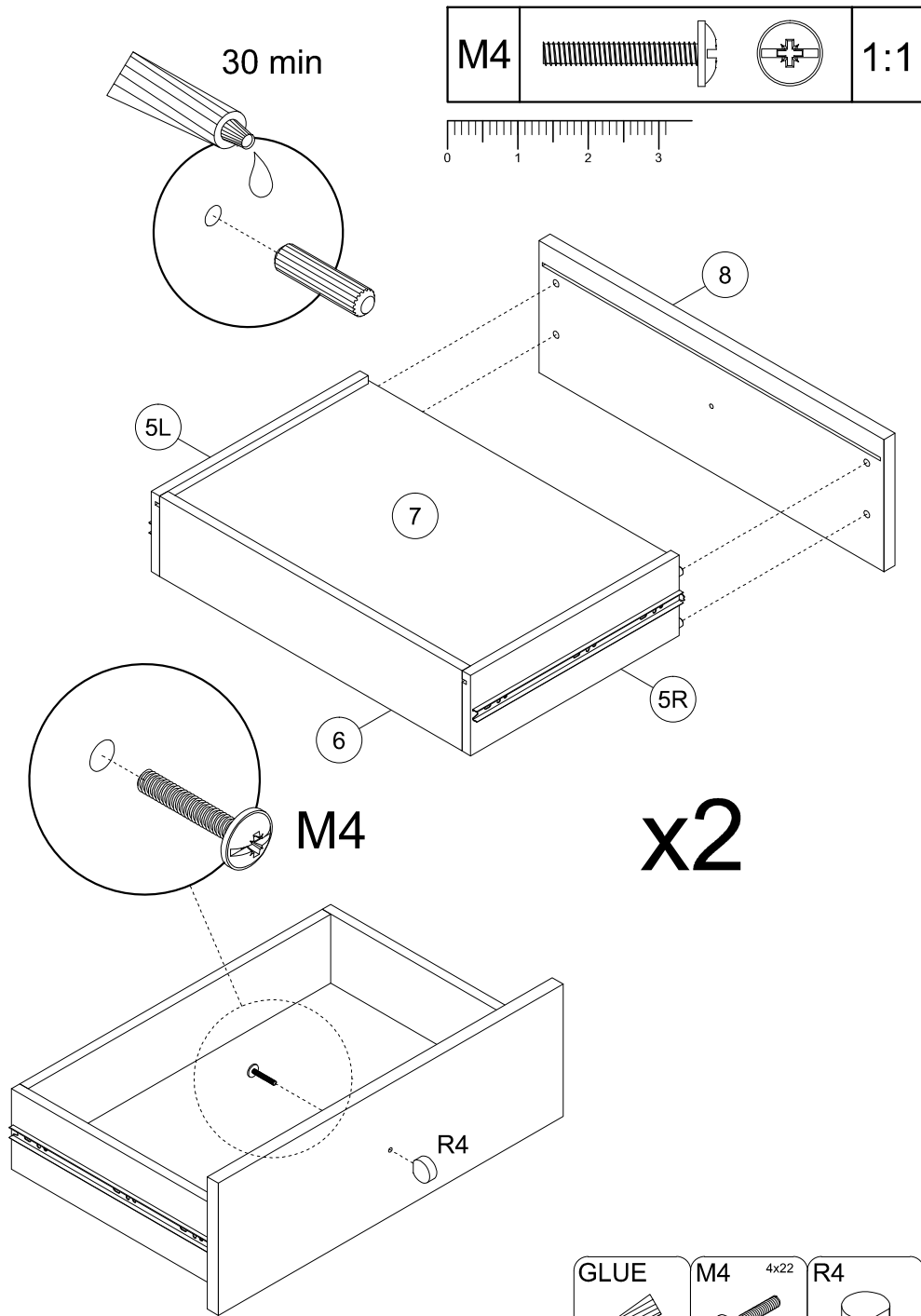
2



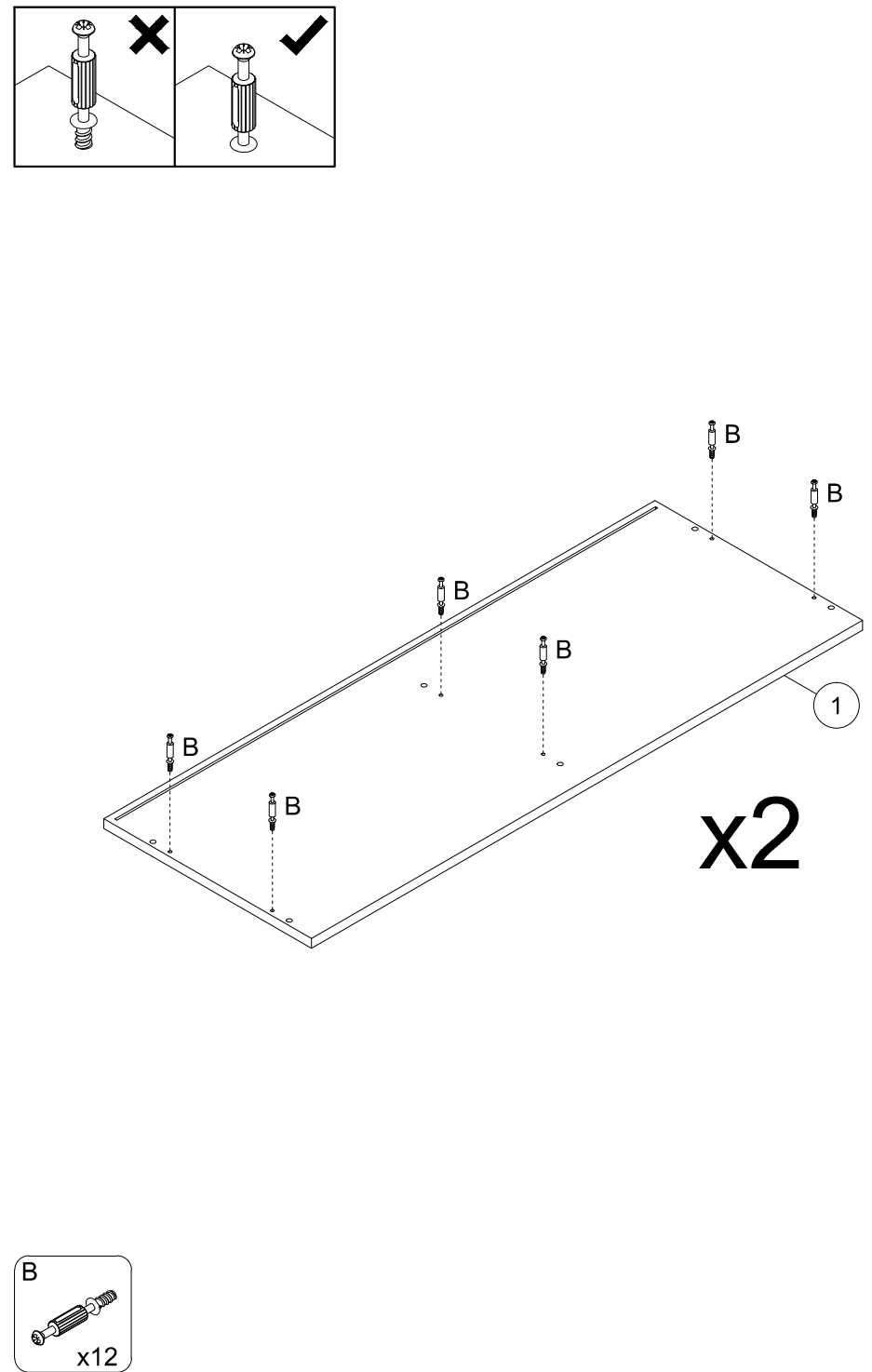
x2



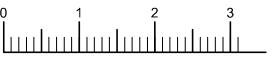
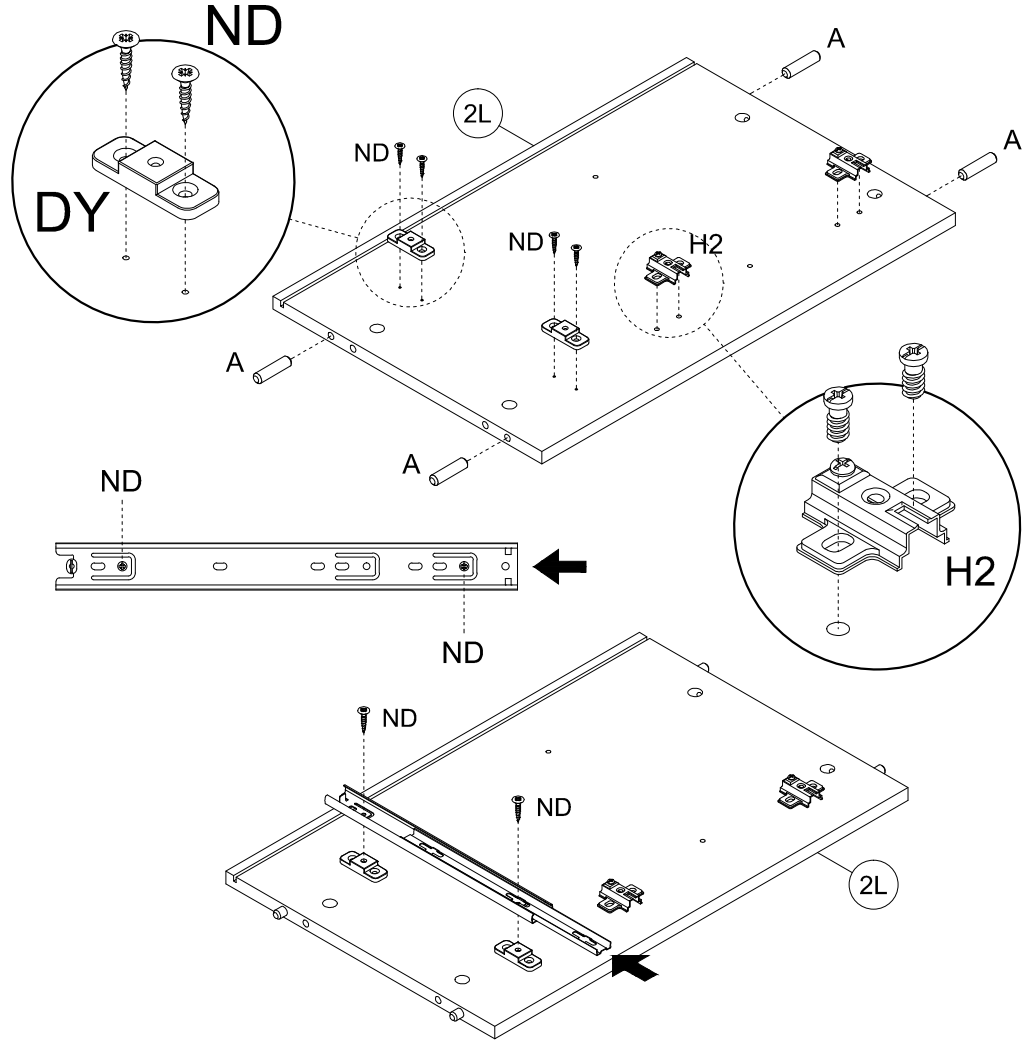
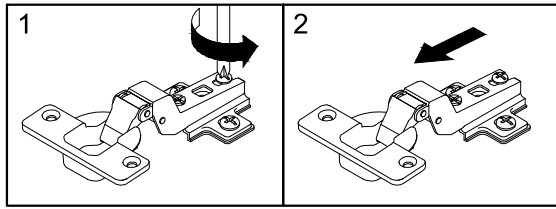
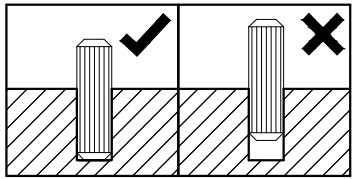
3



4



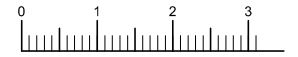
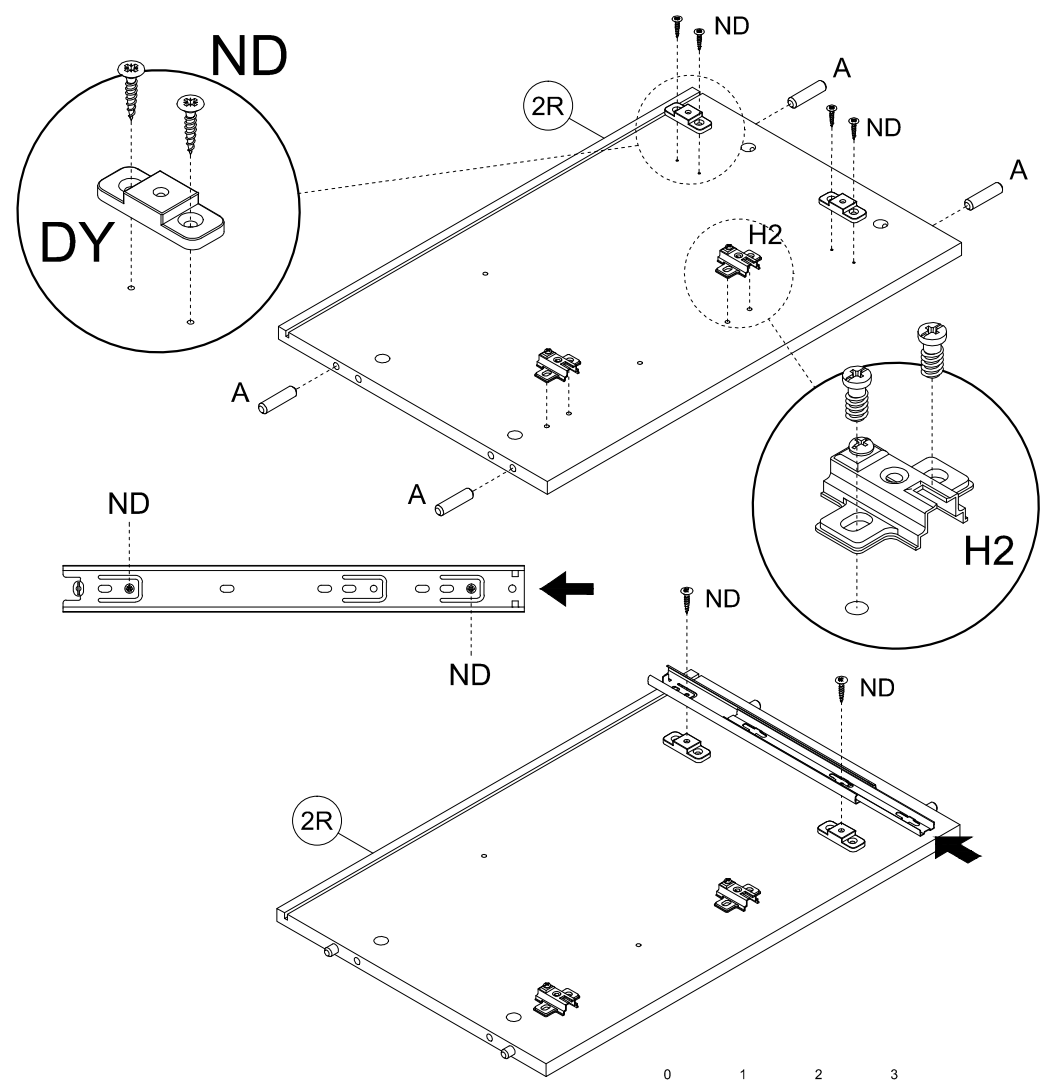
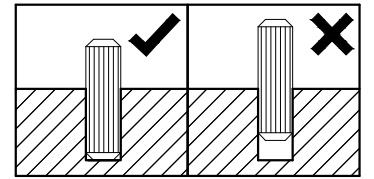
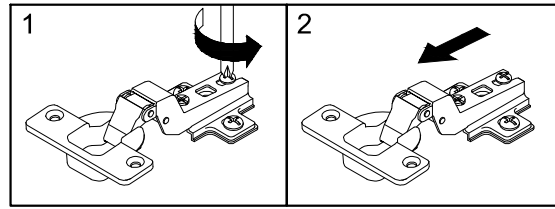
5



ND			1:1
----	--	--	-----

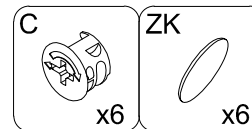
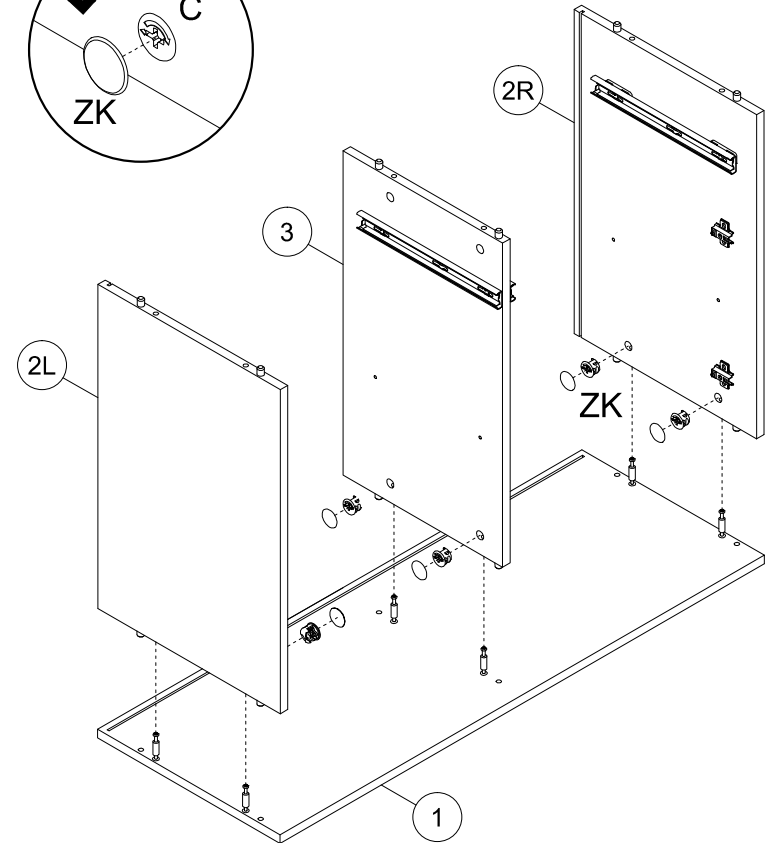
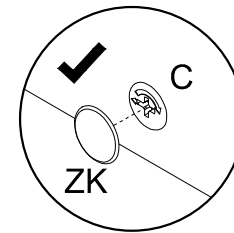
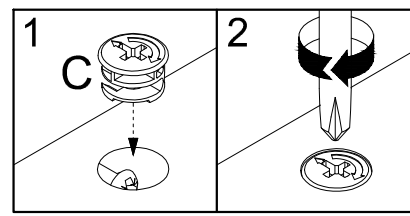
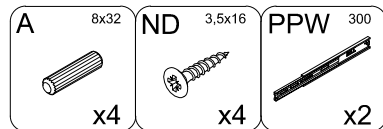
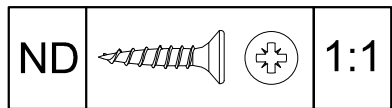
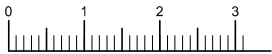
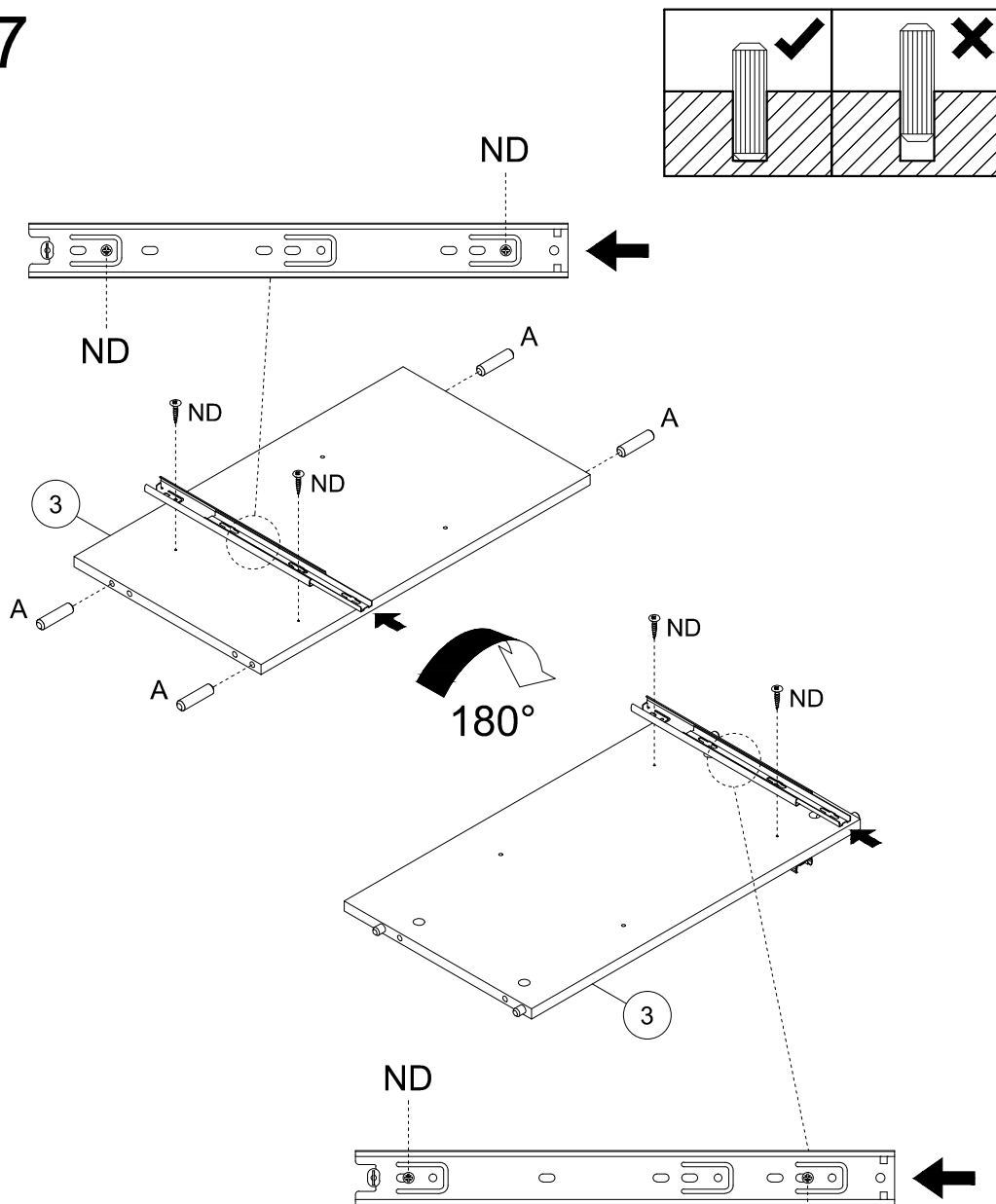
A	8x32	DY	H-10mm	ND	3,5x16	PPW	300	W+H2	
	x4		x2		x6		x1		x2

6

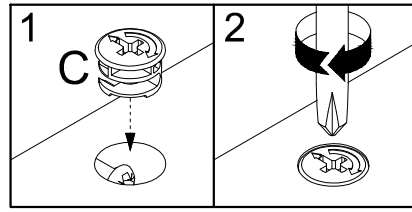
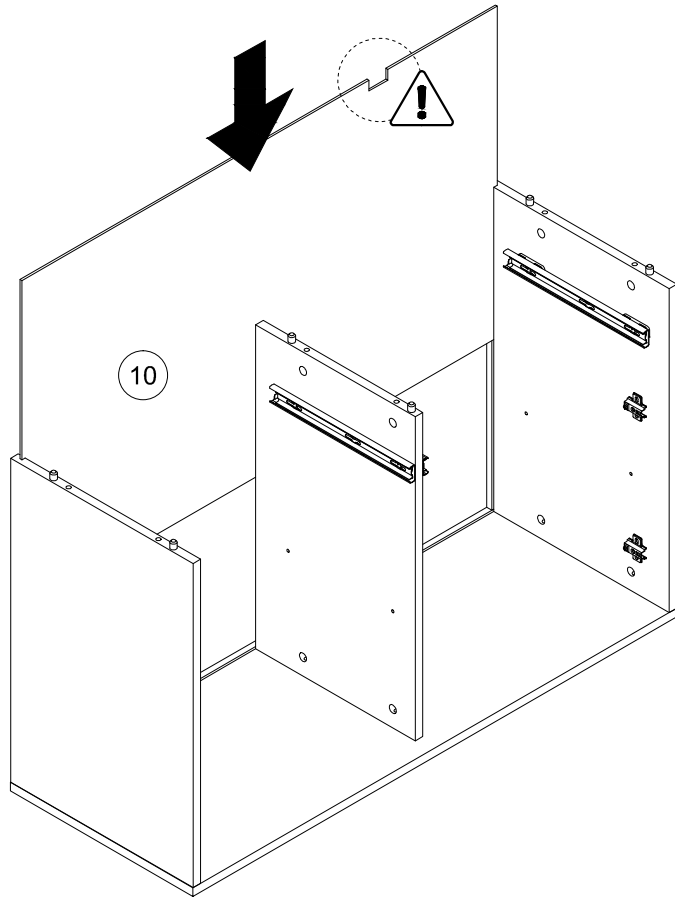


A	8x32	DY	H-10mm	ND	3,5x16	PPW	300	W+H2	
	x4		x2		x6		x1		x2

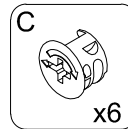
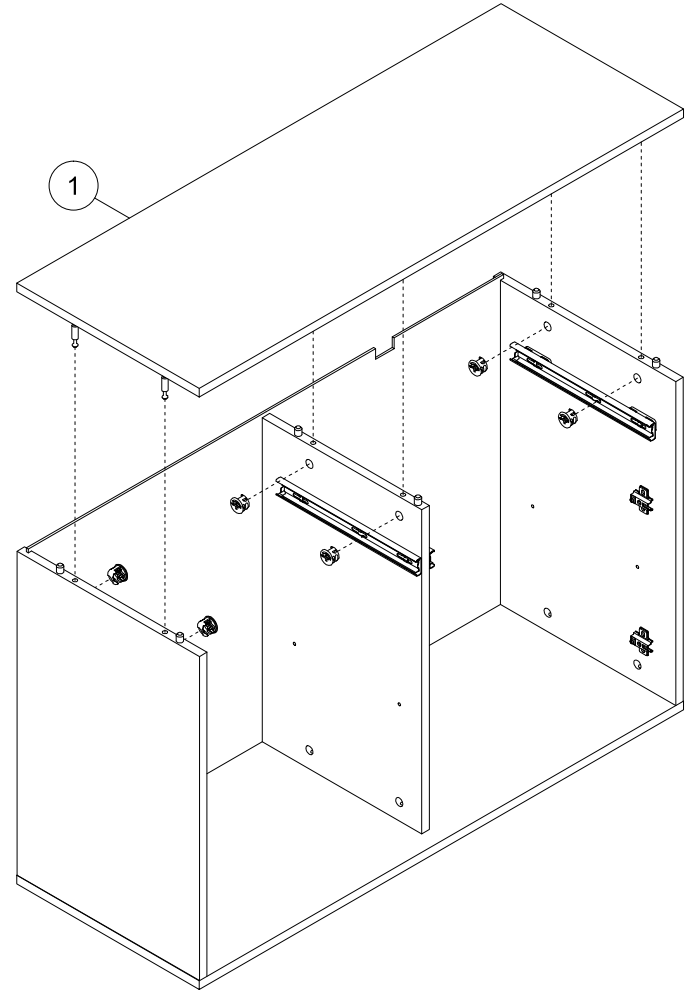
ND			1:1
----	--	--	-----



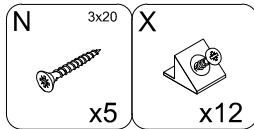
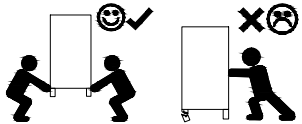
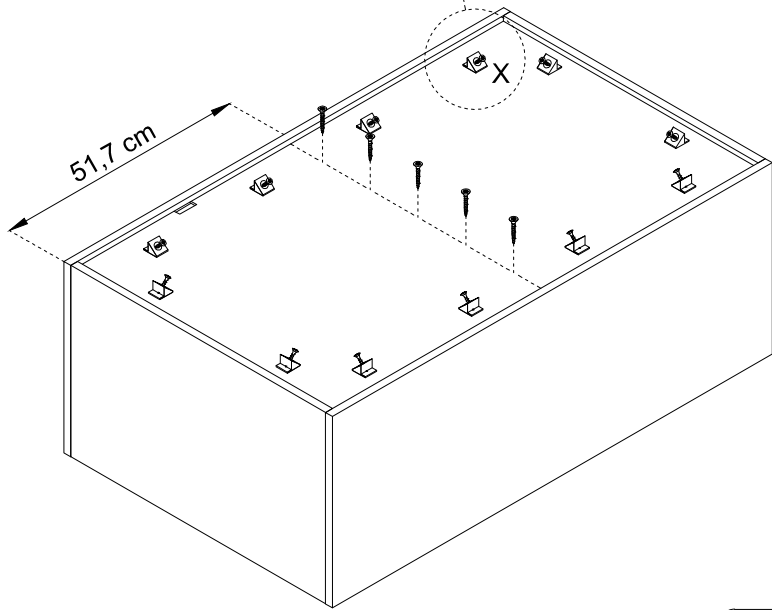
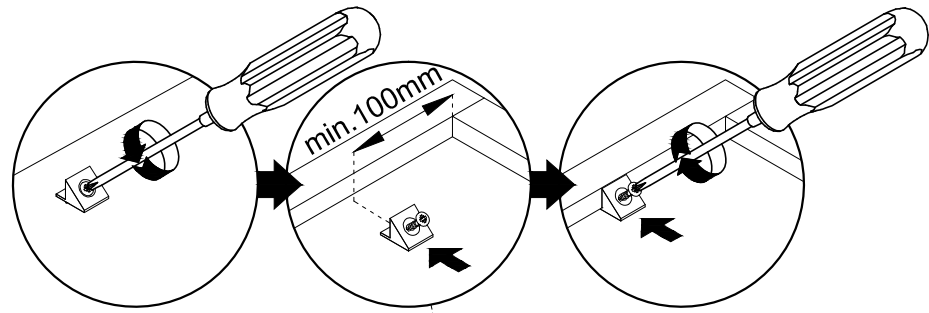
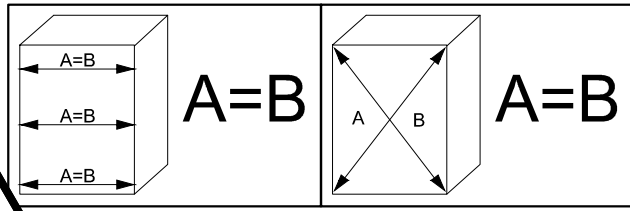
9



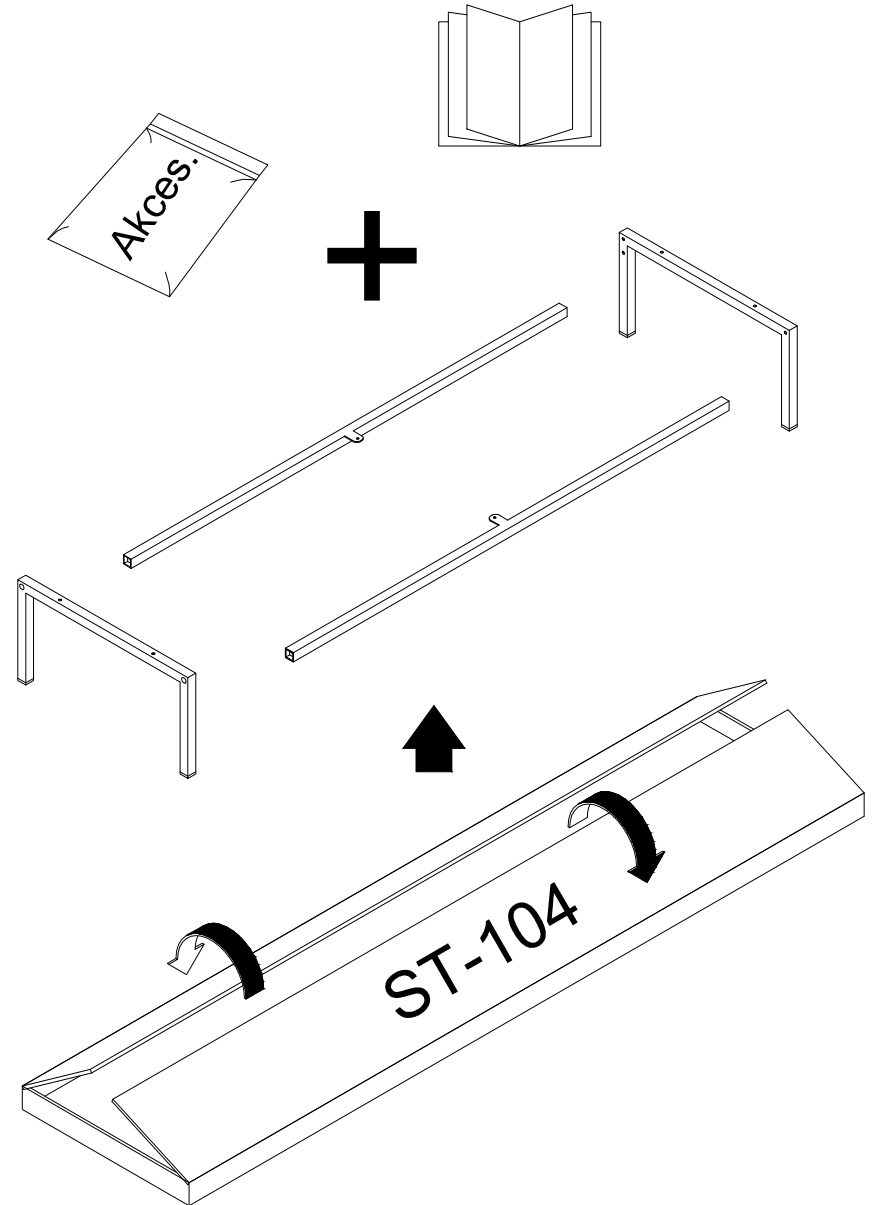
10

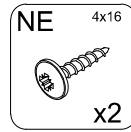
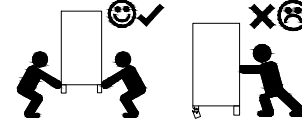
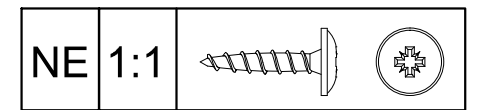
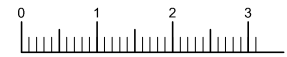
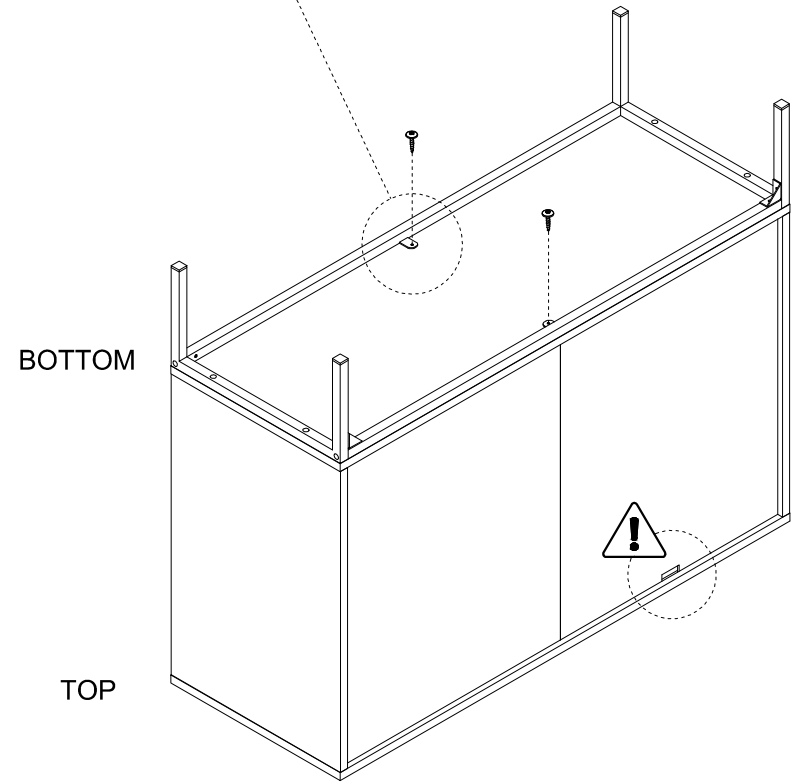
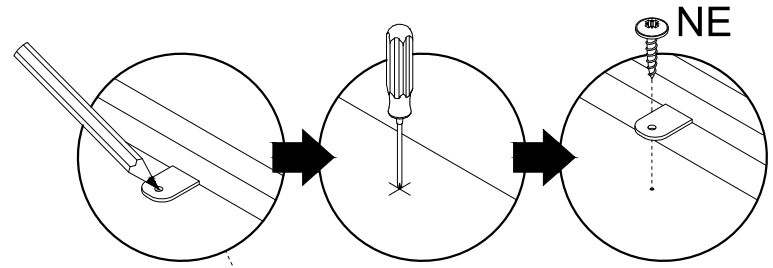
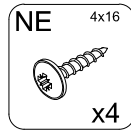
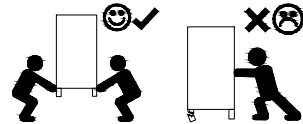
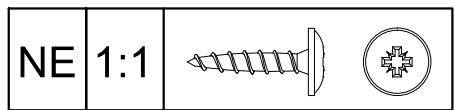
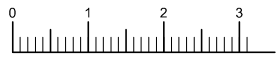
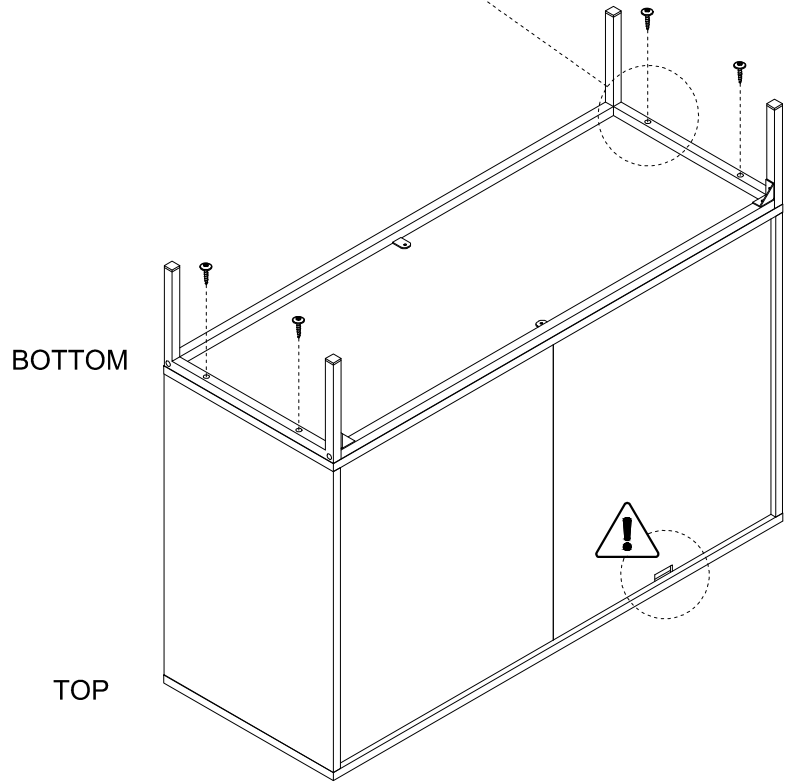
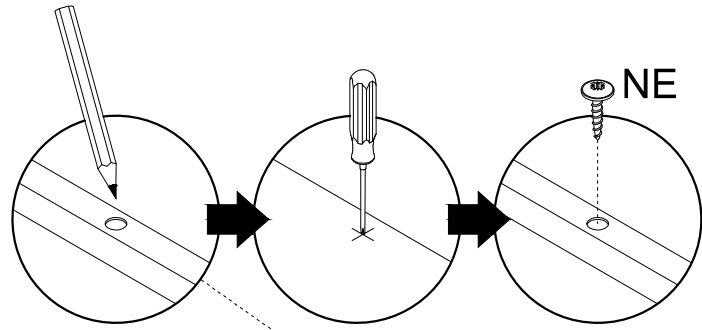


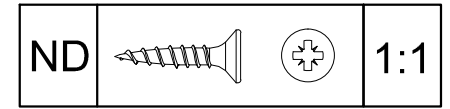
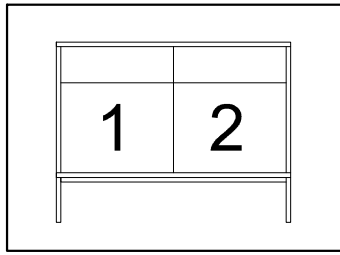
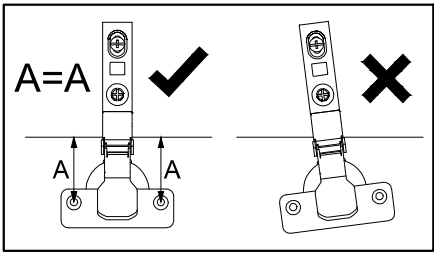
11



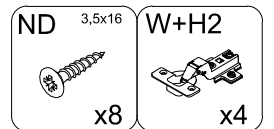
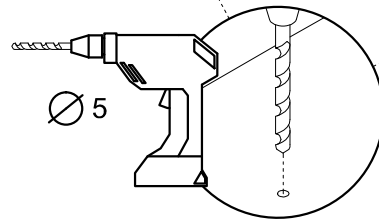
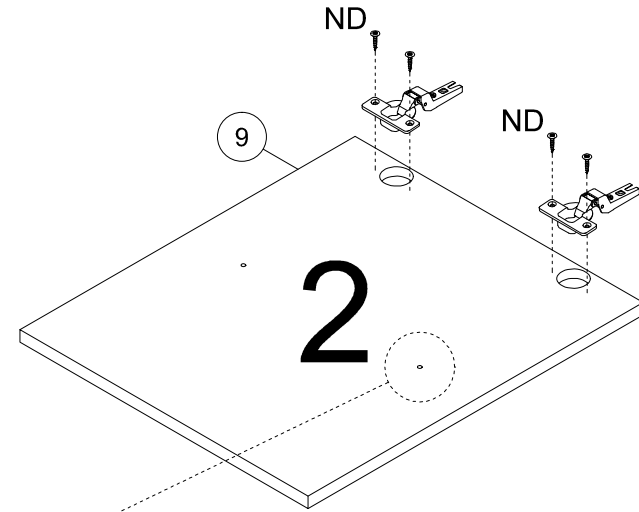
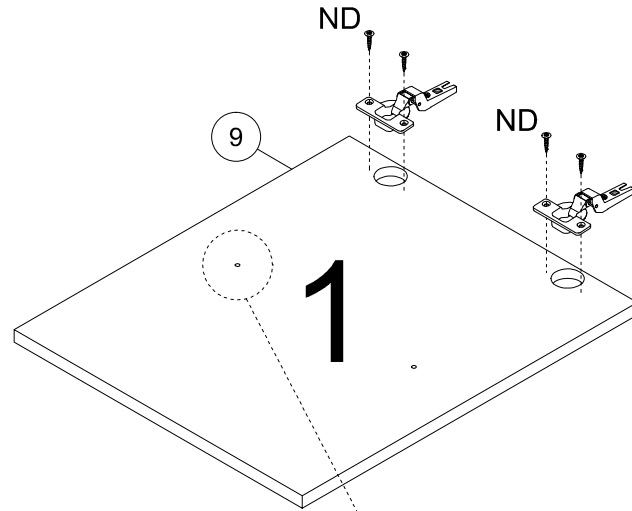
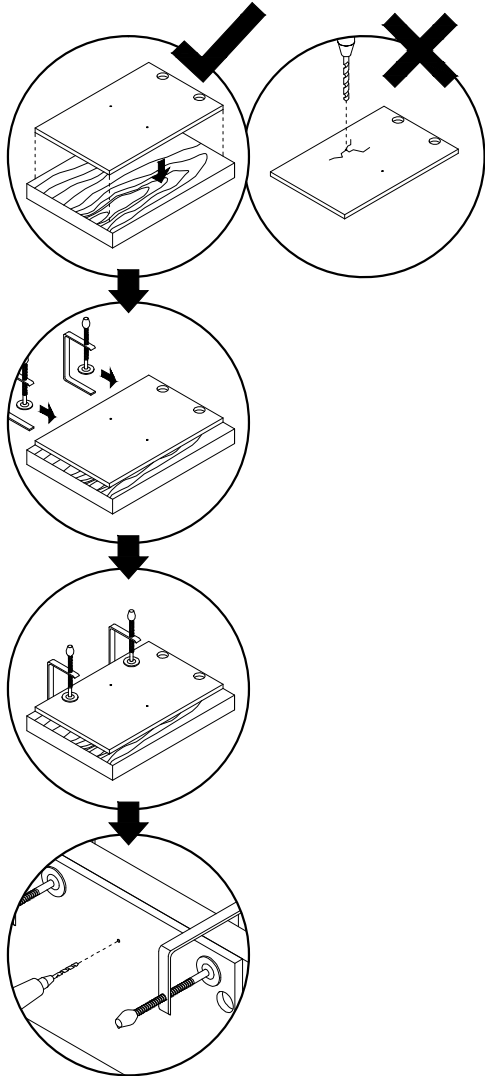
12



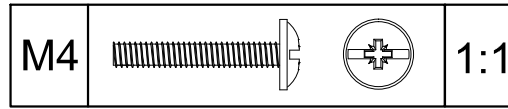
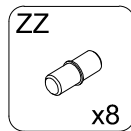
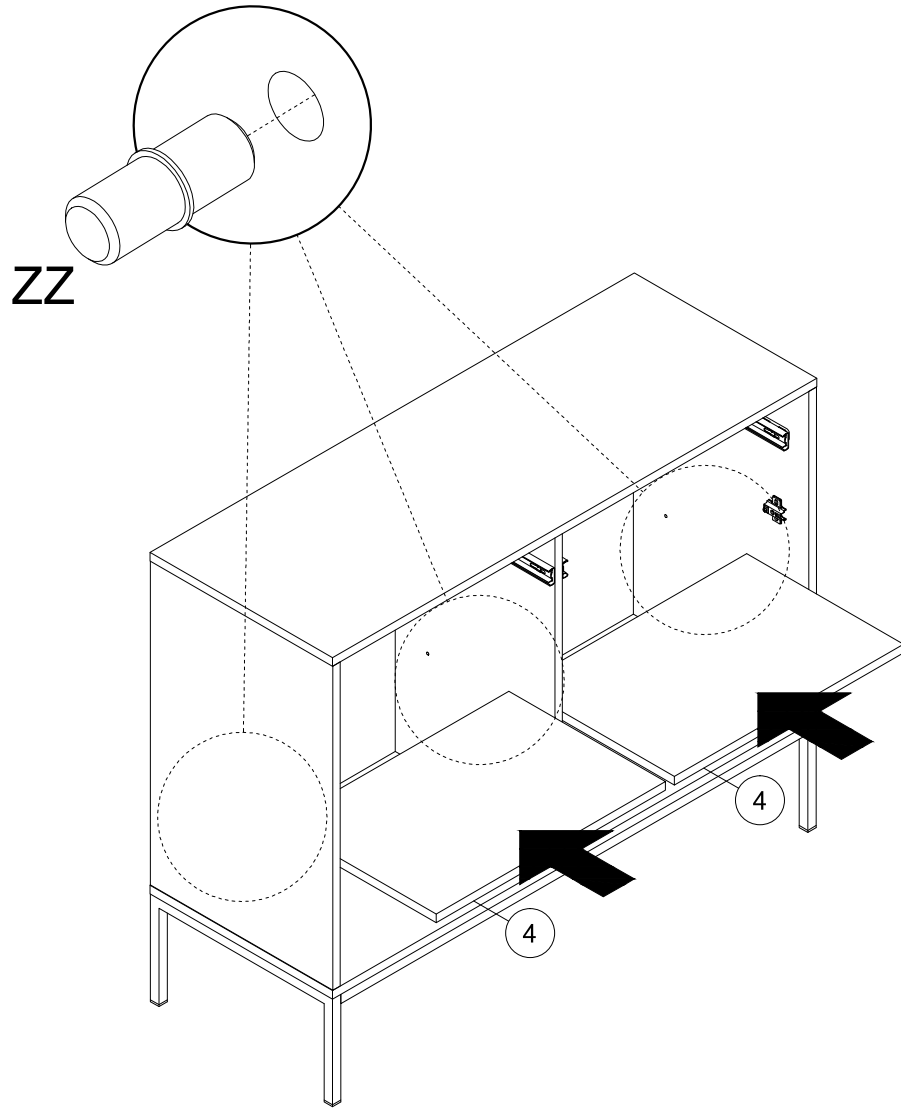




15



16



17

