

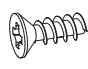

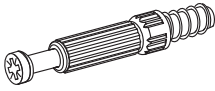

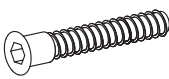

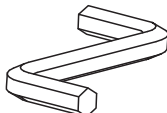

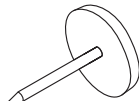
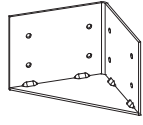
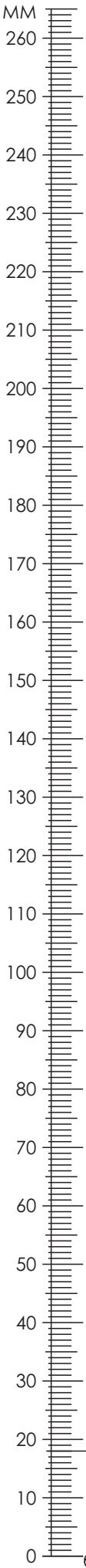
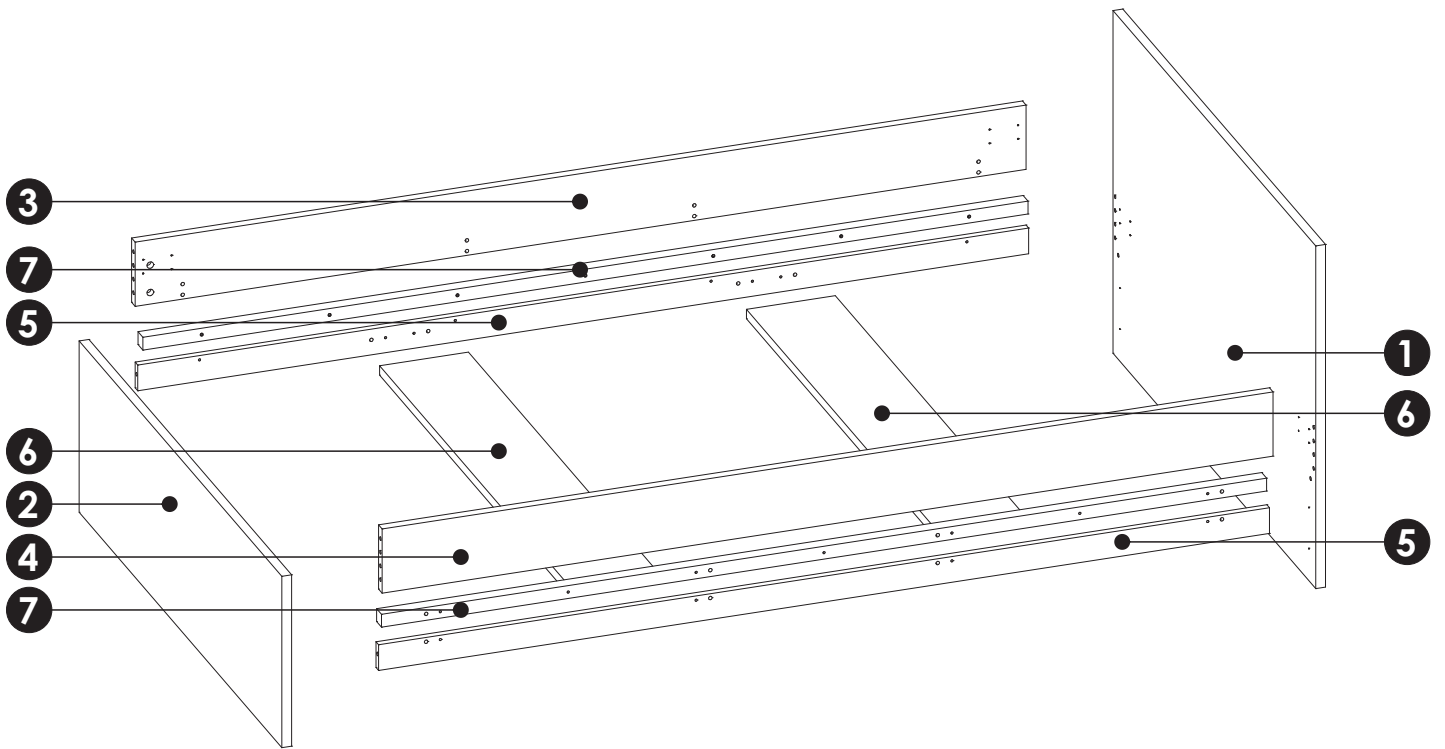
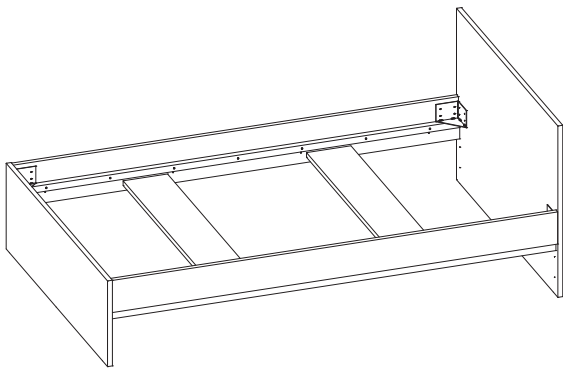
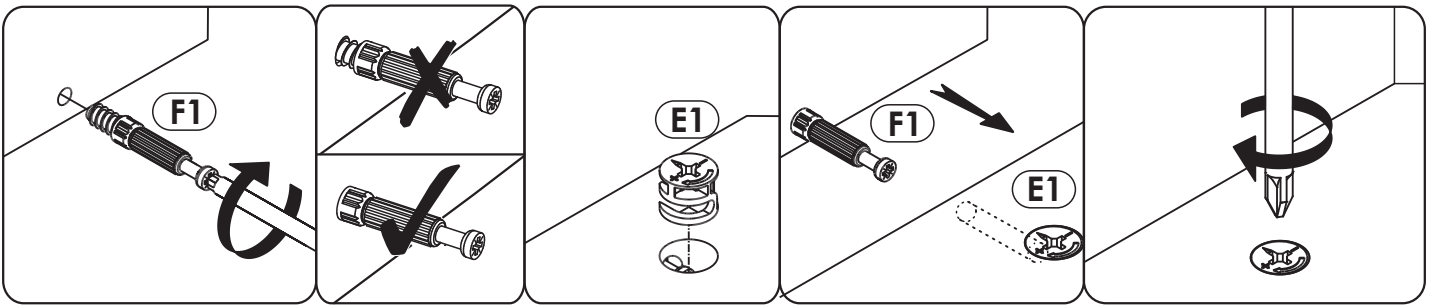


A0	8 x 24 mm	x16	A1	8 x 35 mm	x20	C2	5 x 13 mm	x32
								
E1	15 x 12 mm	x12	F1	6 x 34 mm	x12	G0		x4
								
G2	7 x 60 mm	x4	I13	4 x 30 mm	x8	M		x1
								
N16	4 x 40 mm	x14	O2		x6	W		x4
								

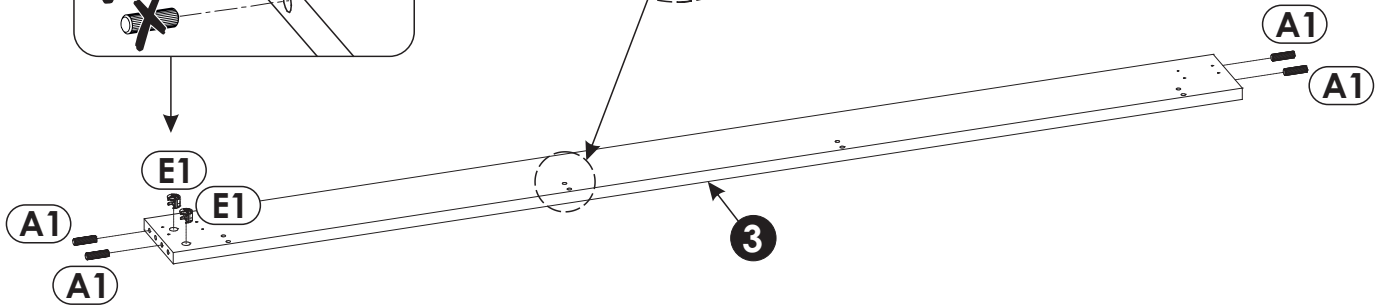
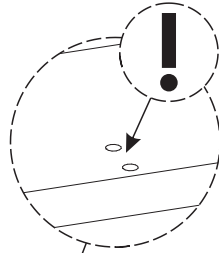
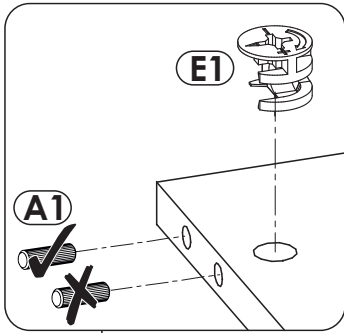
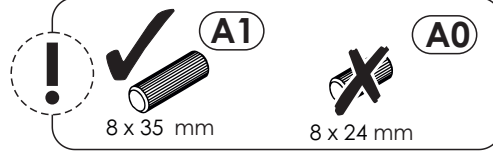
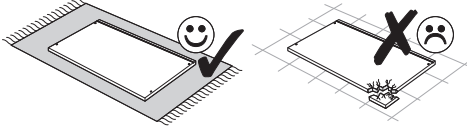




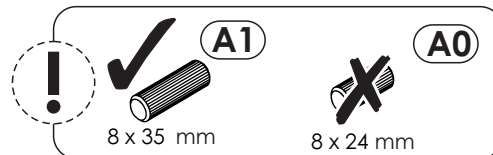
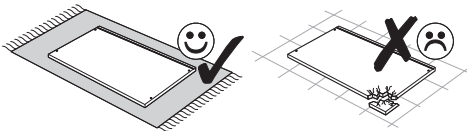
1	1254	800	22	x1	2/2
2	1254	400	22	x1	2/2
3	2006	150	22	x1	1/2
4	2006	150	22	x1	1/2
5	60	2006	16	x2	1/2
6	1174	200	22	x2	1/2
7	1993	30	30	x2	1/2



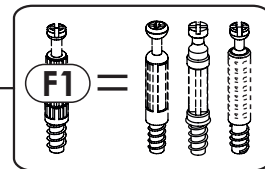
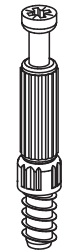
1 ▶



2 ▶



F1



F1

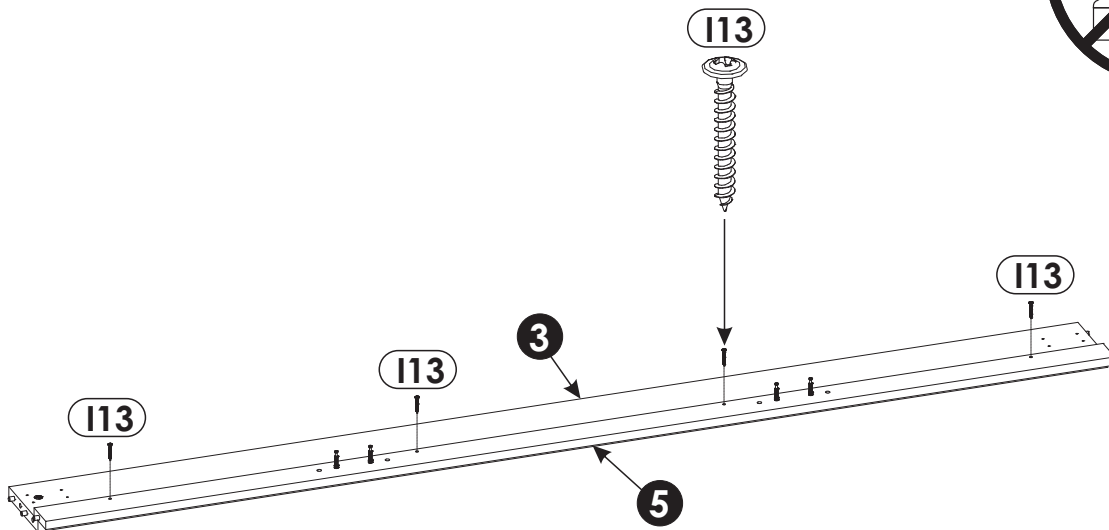
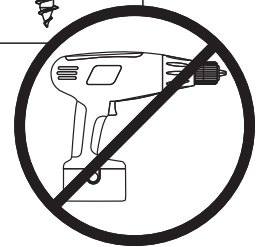
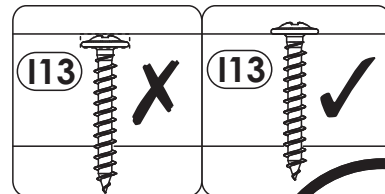
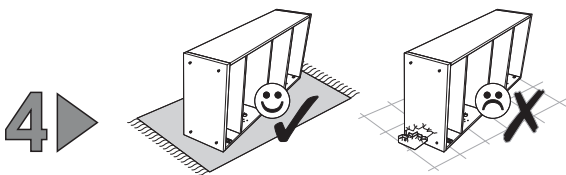
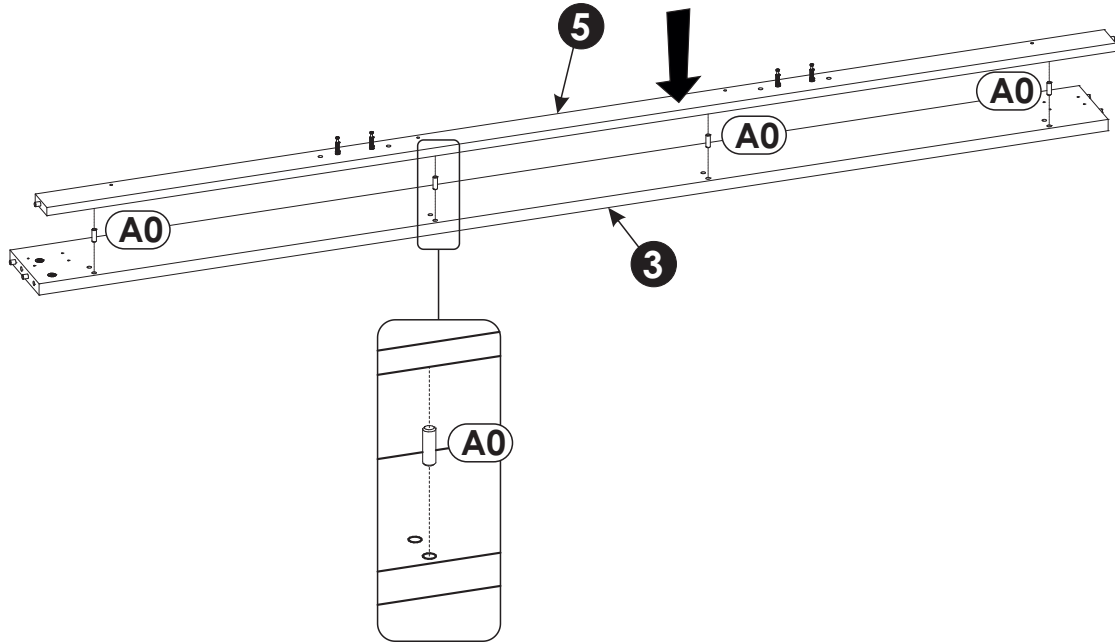
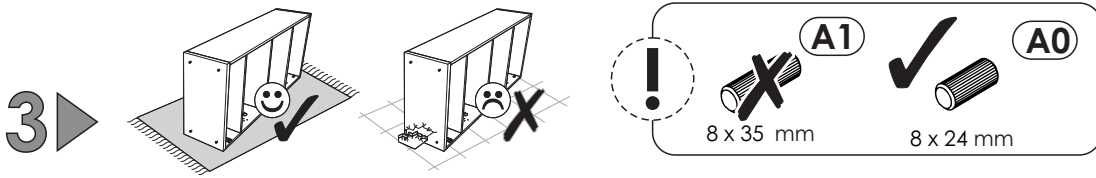
A1

F1

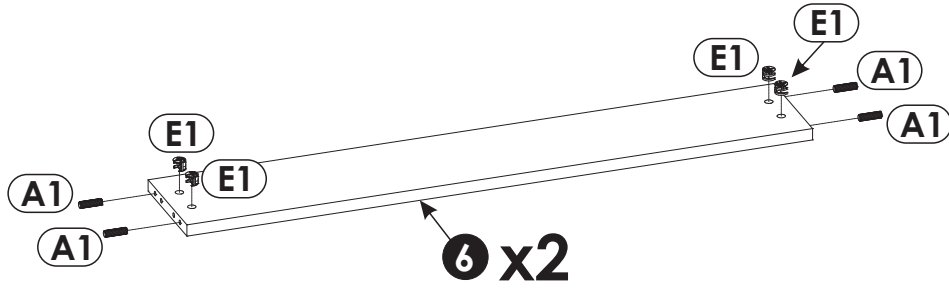
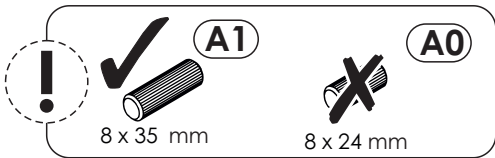
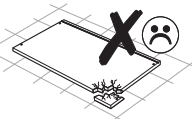
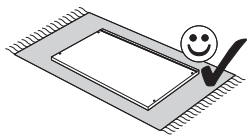
F1

A1

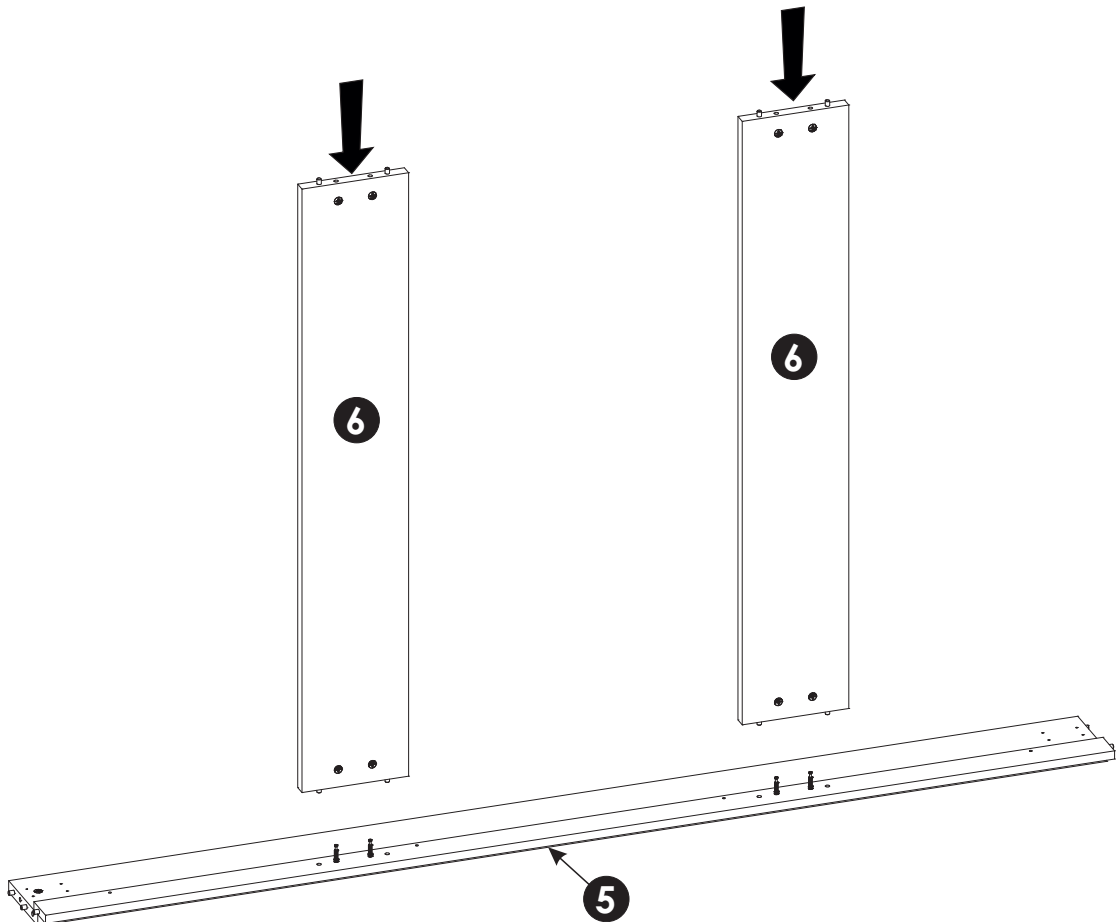
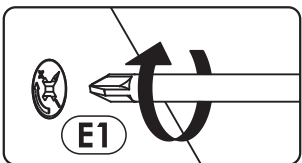
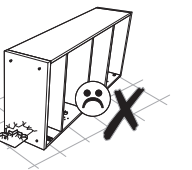
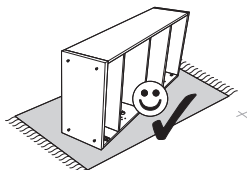
5 x 2



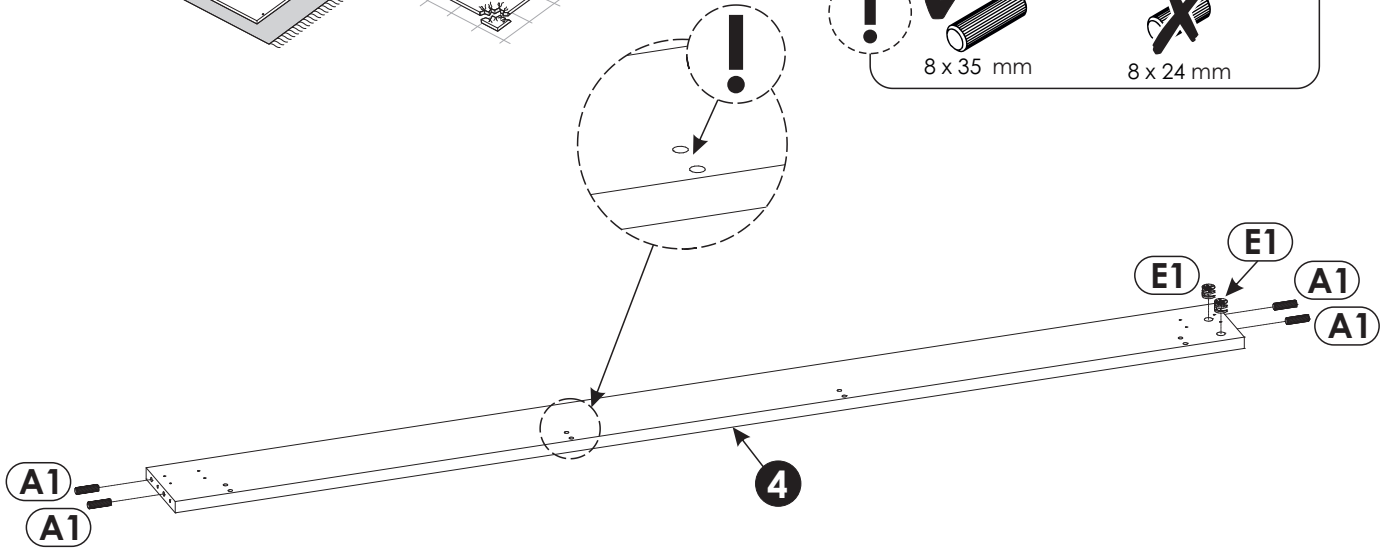
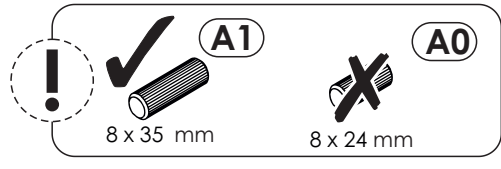
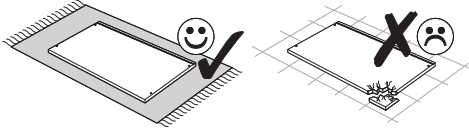
5 ▶



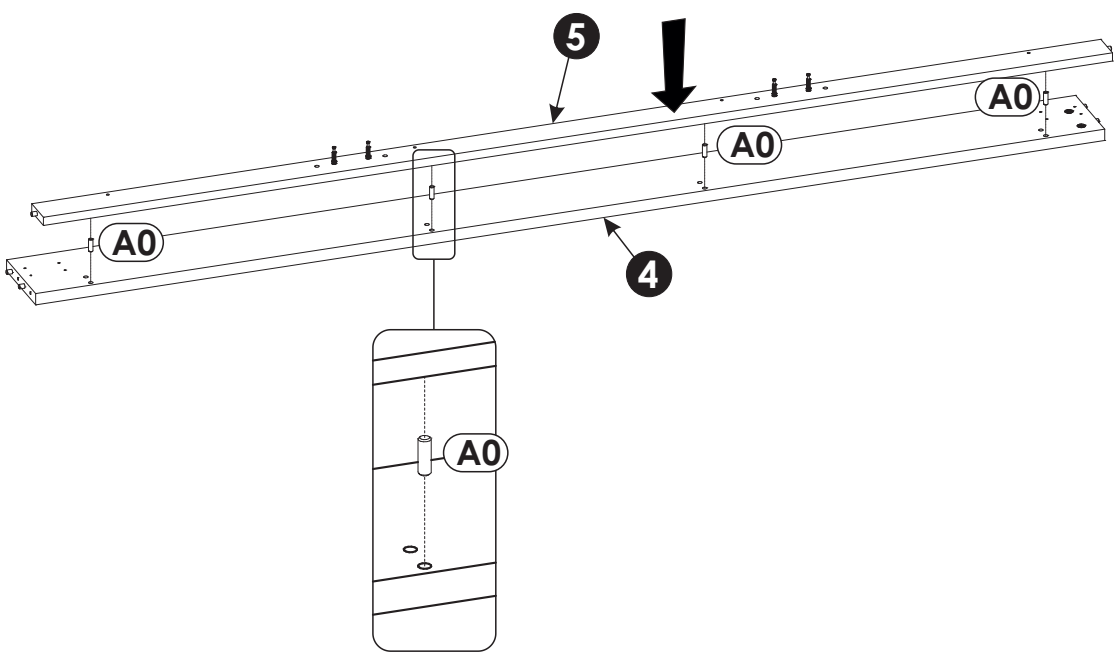
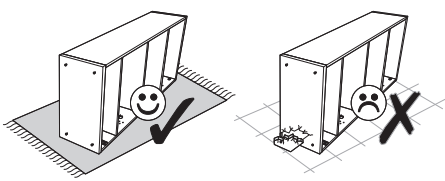
6 ▶

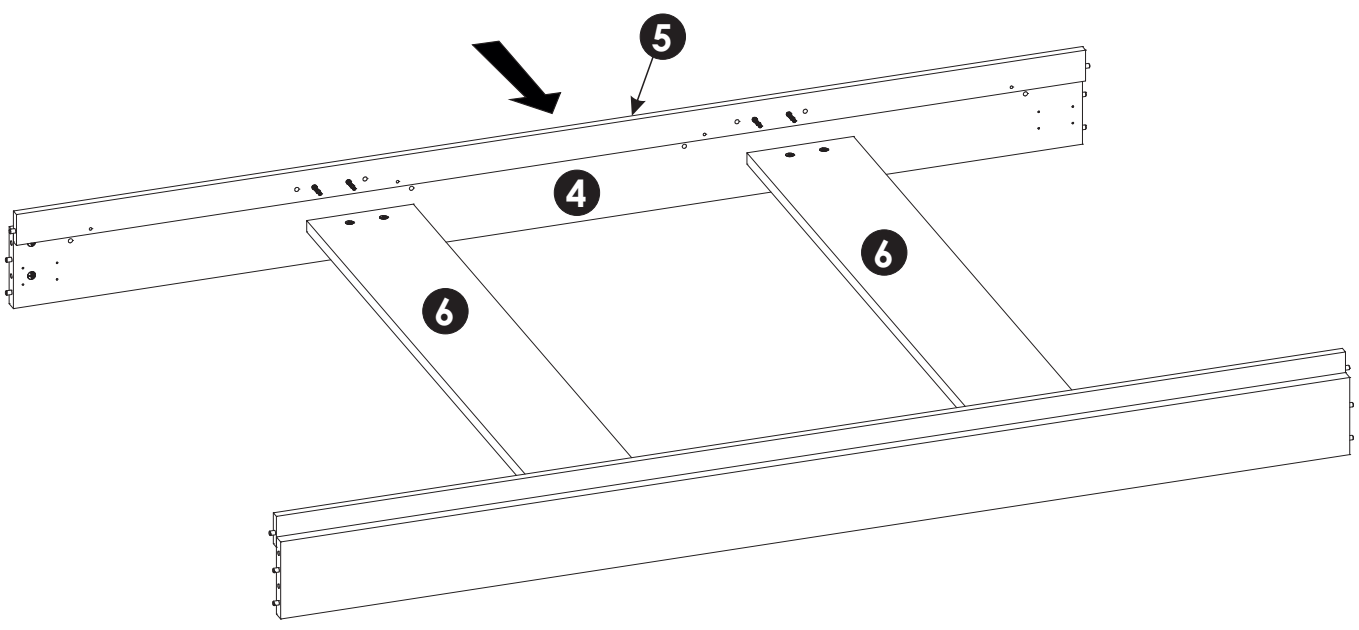
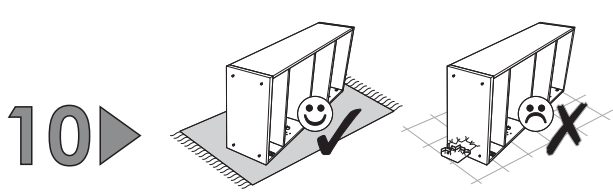
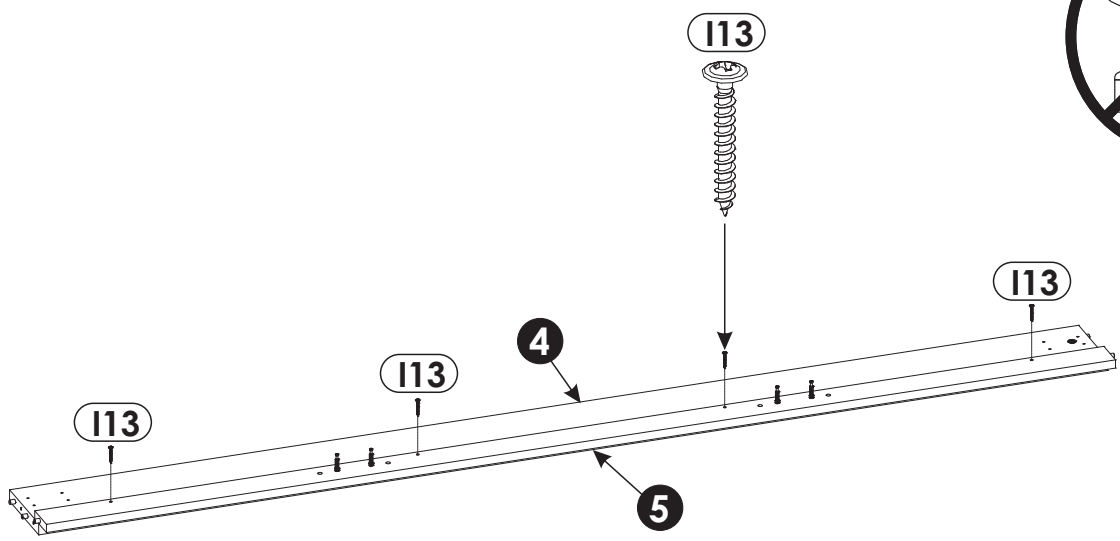
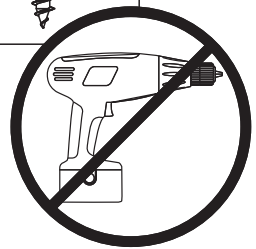
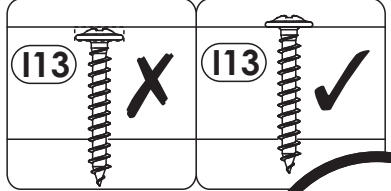
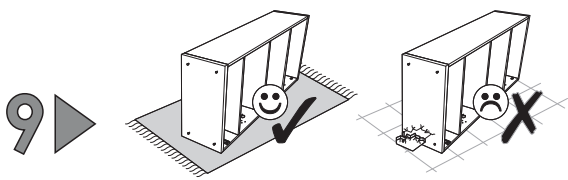


7 ▶

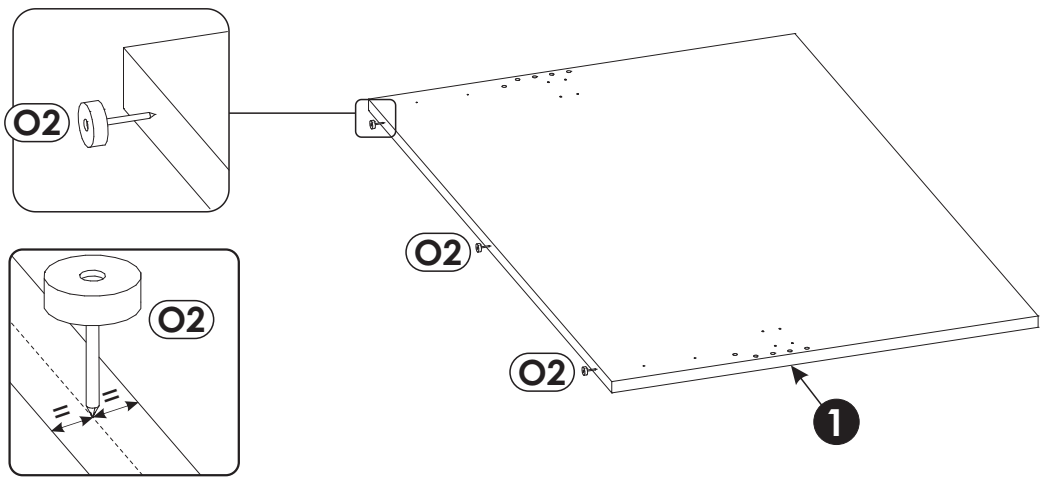
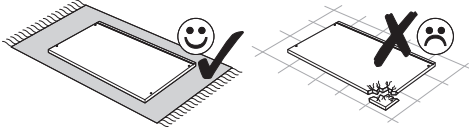


8 ▶

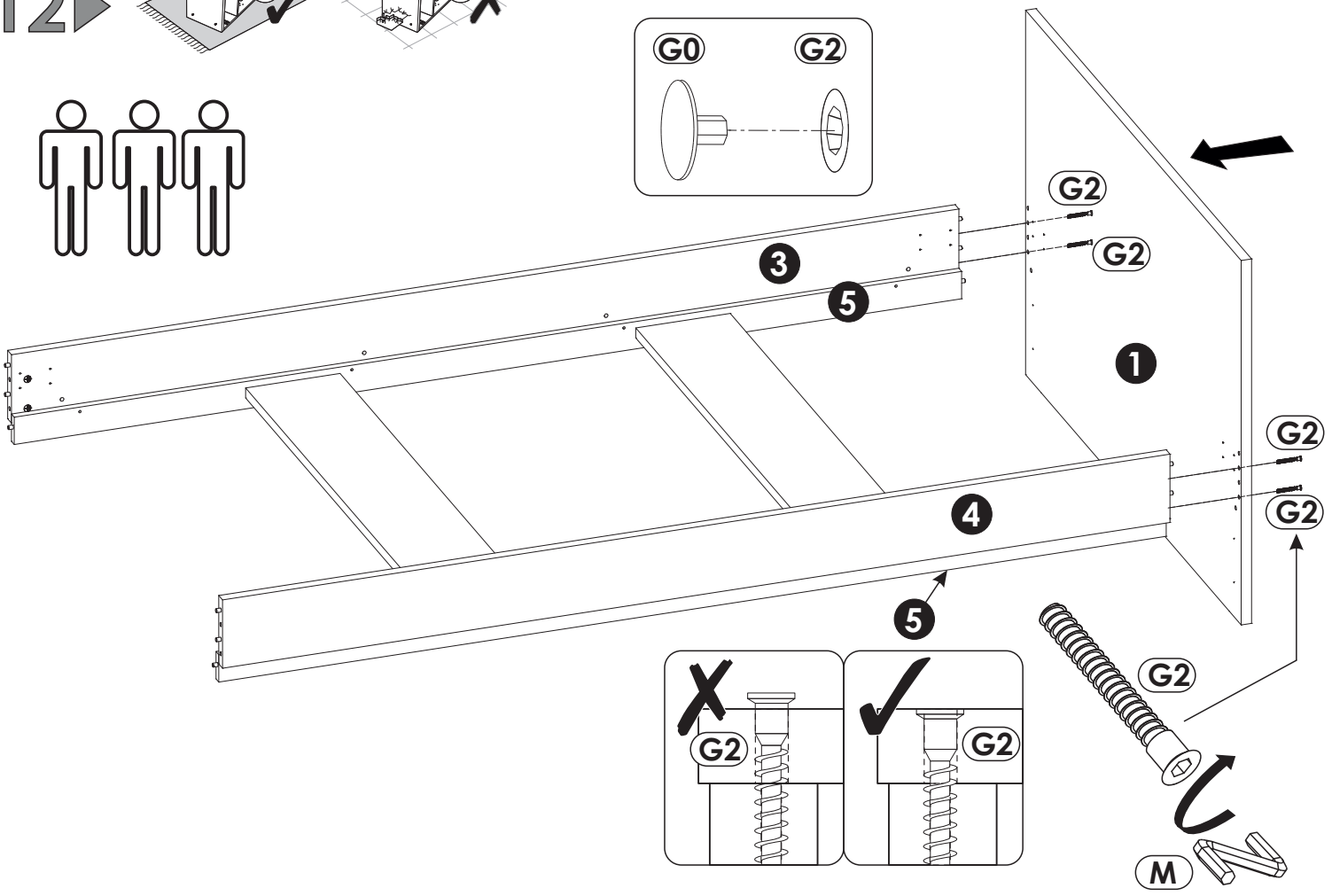
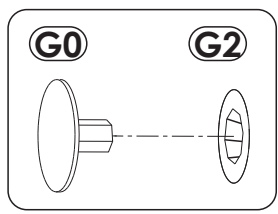
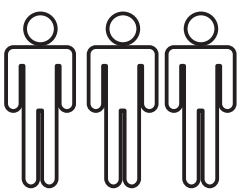
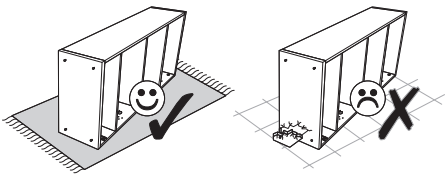




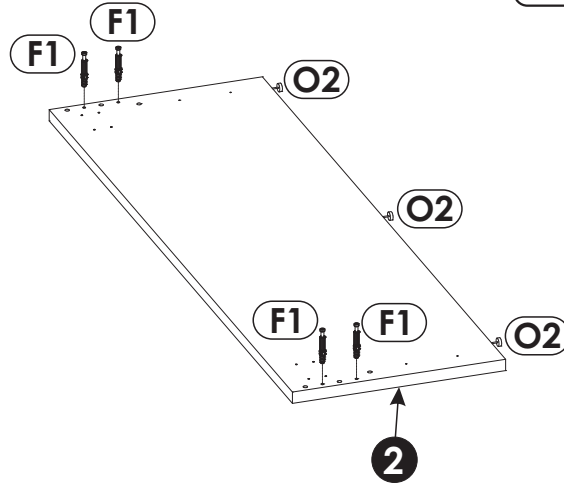
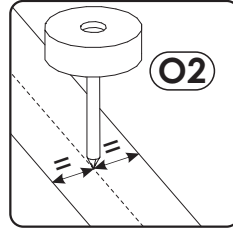
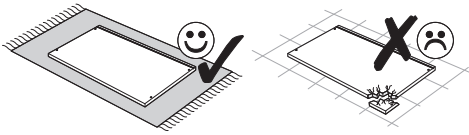
11 ▶



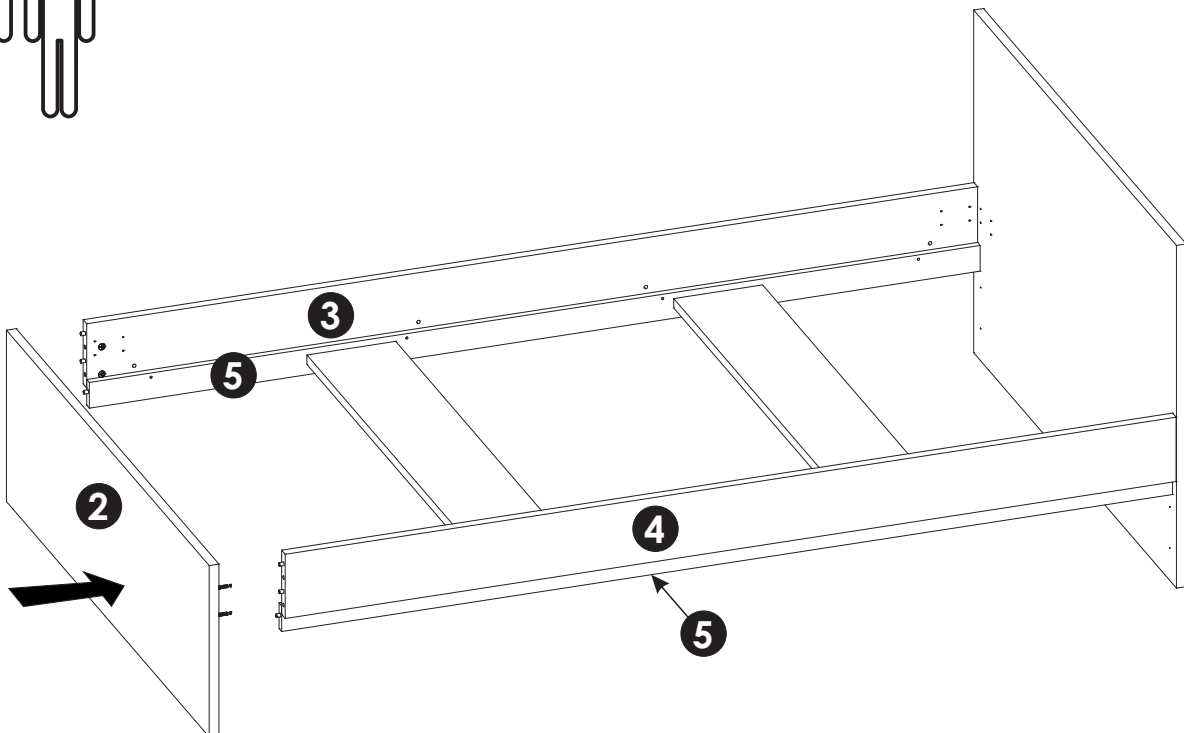
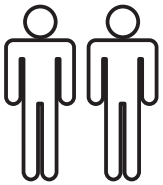
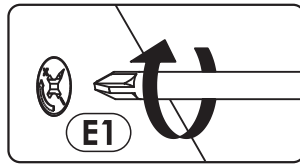
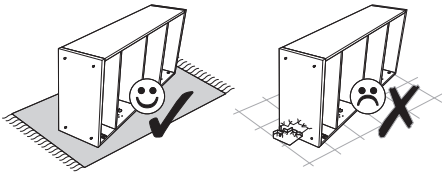
12 ▶



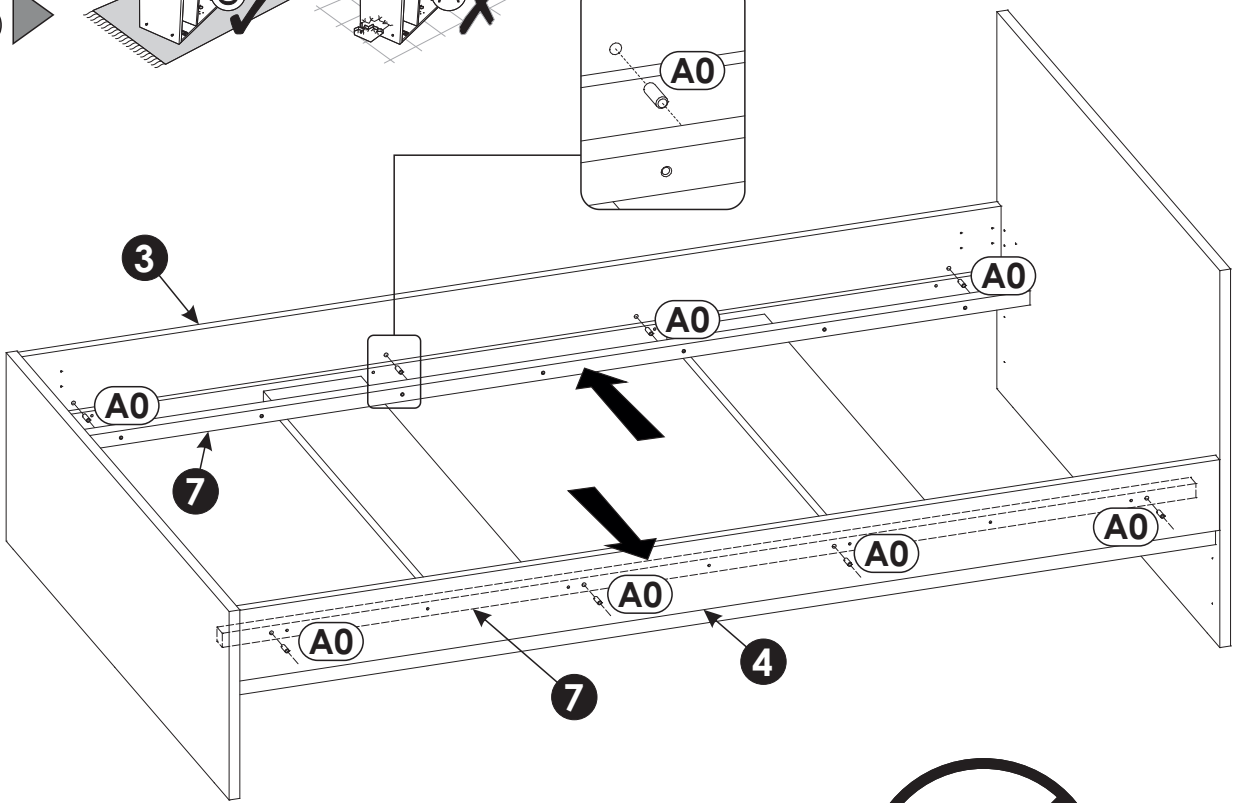
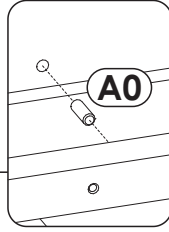
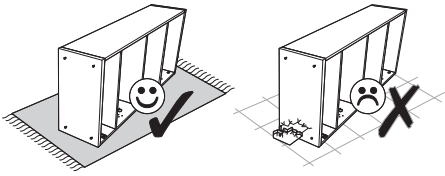
13▶



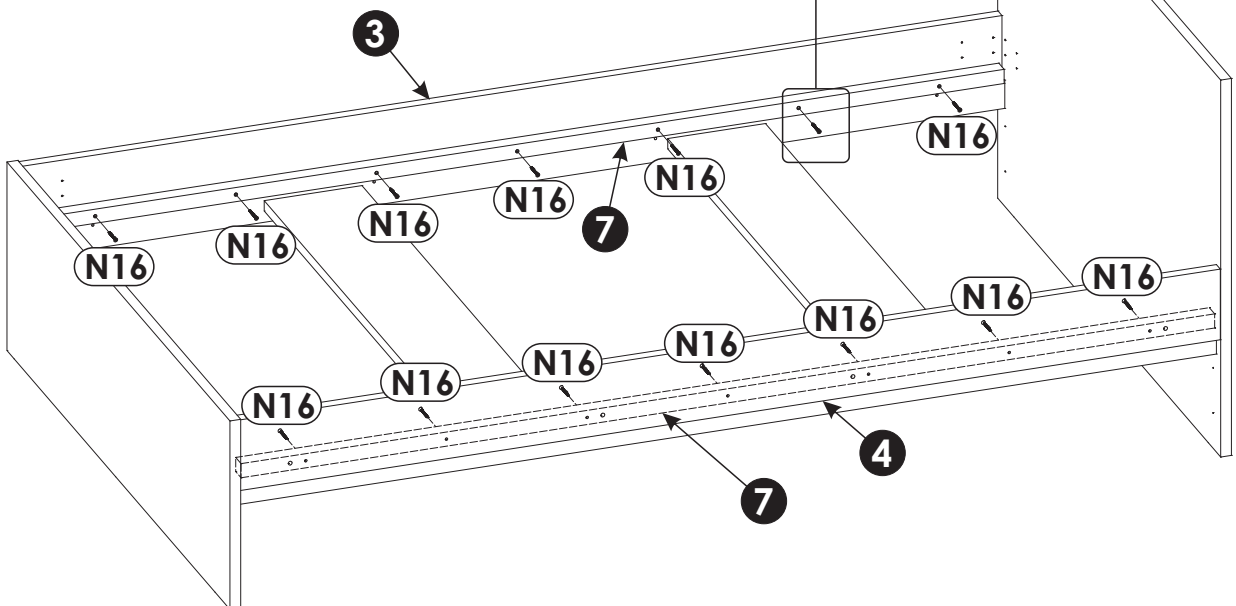
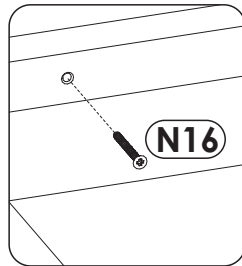
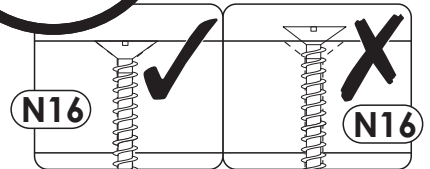
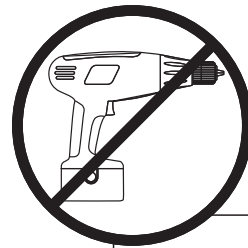
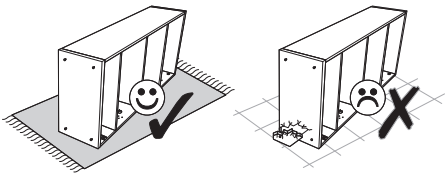
14▶



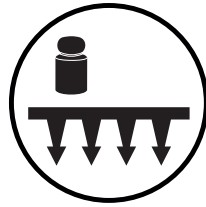
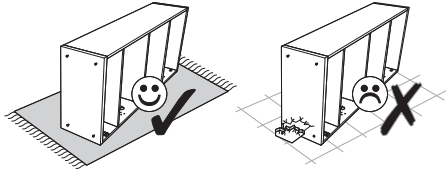
15 ▶



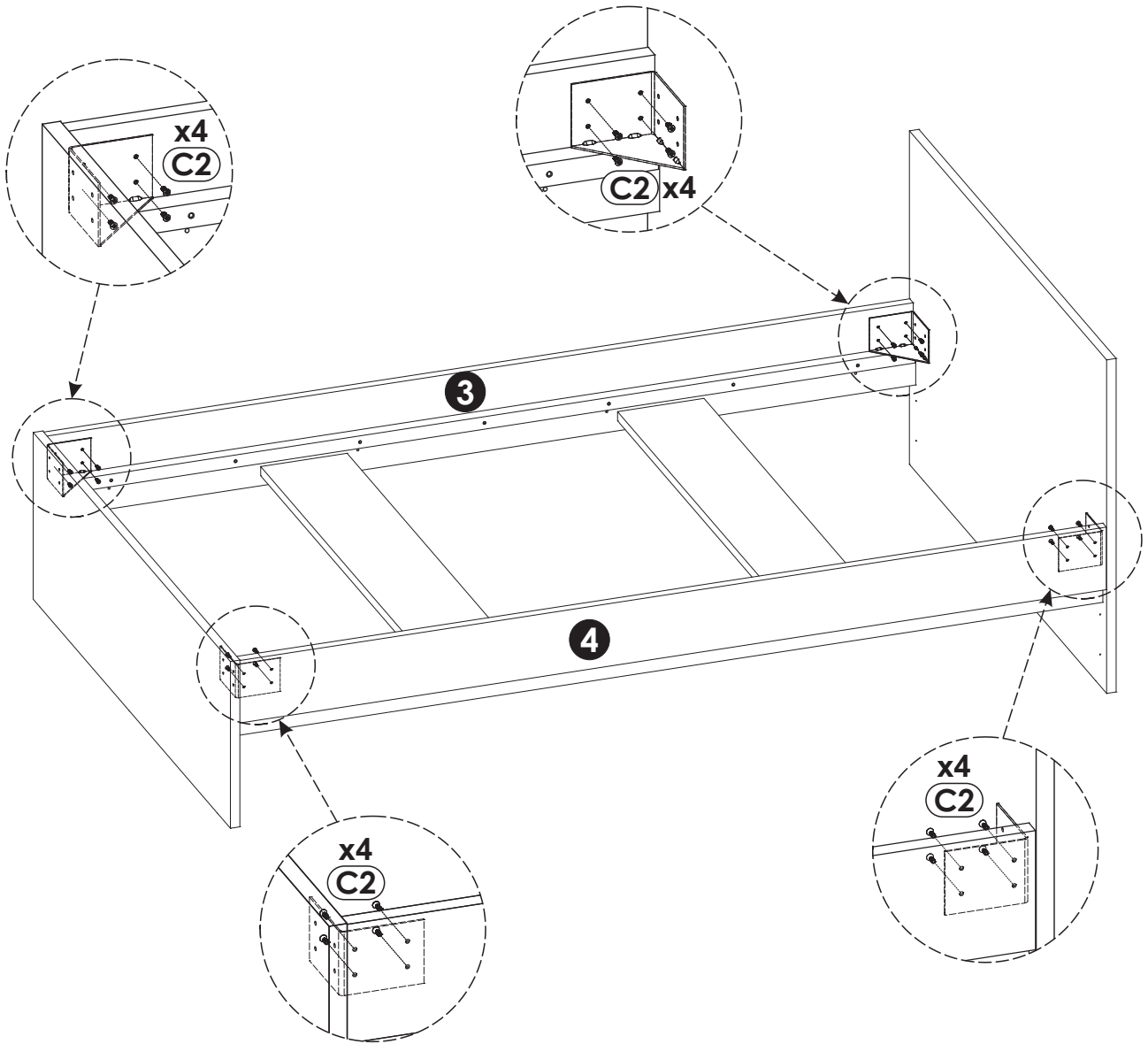
16 ▶

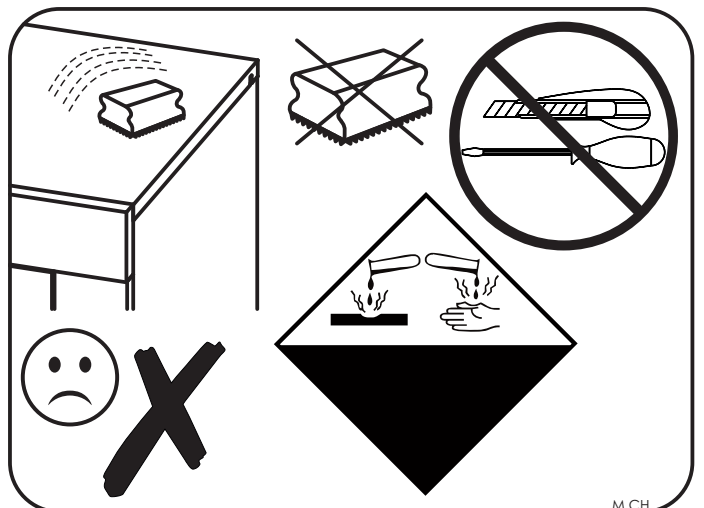
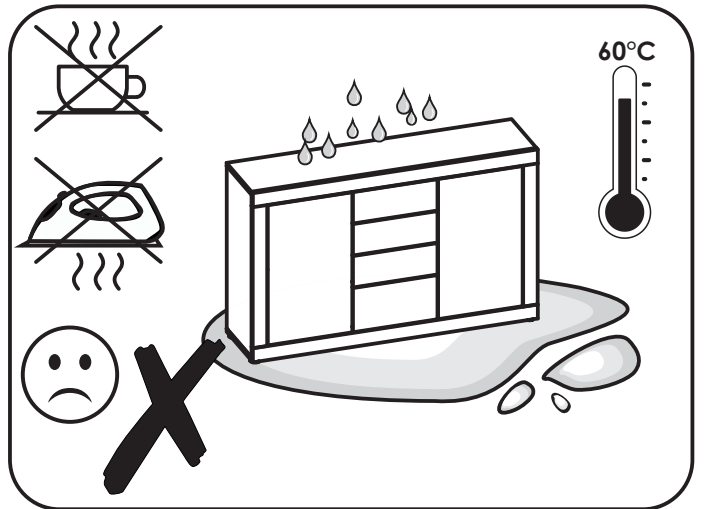
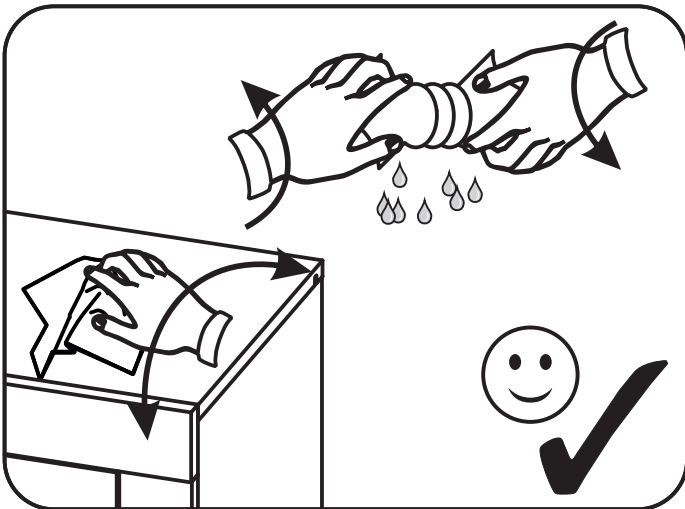
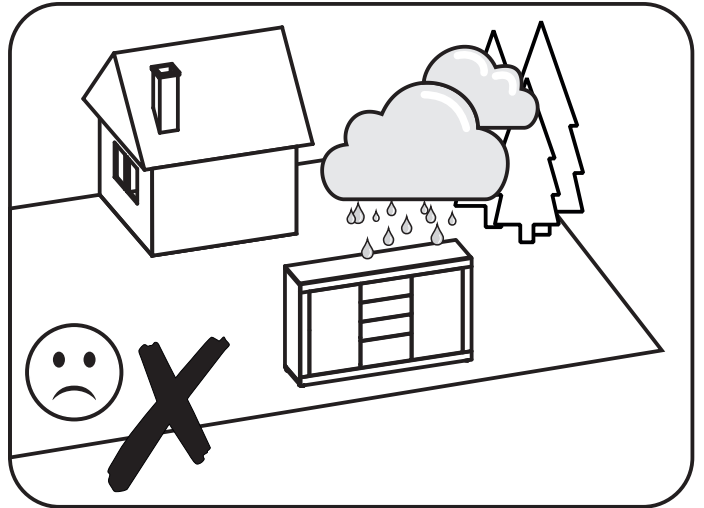
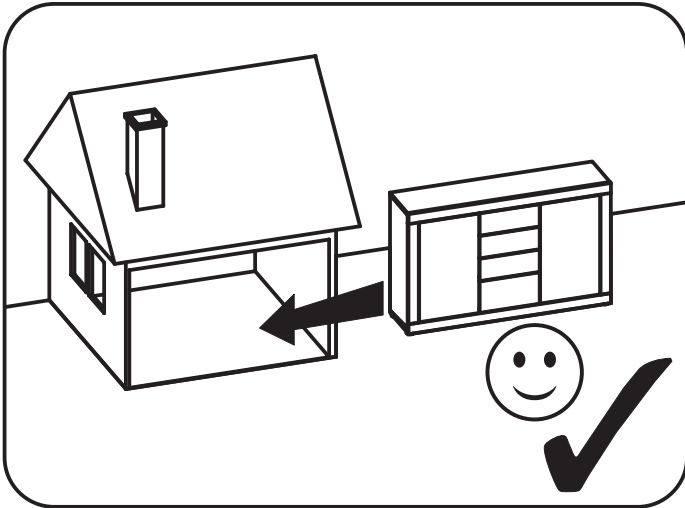


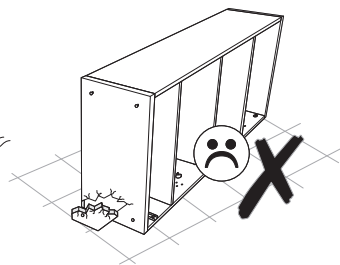
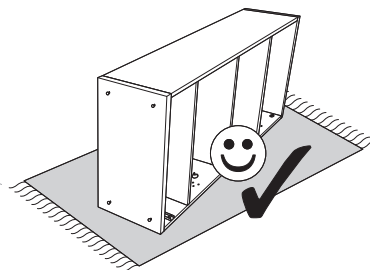
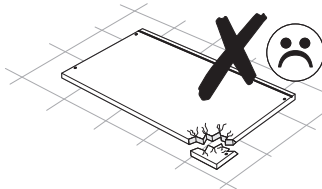
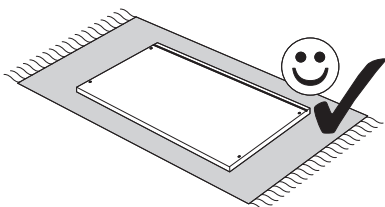
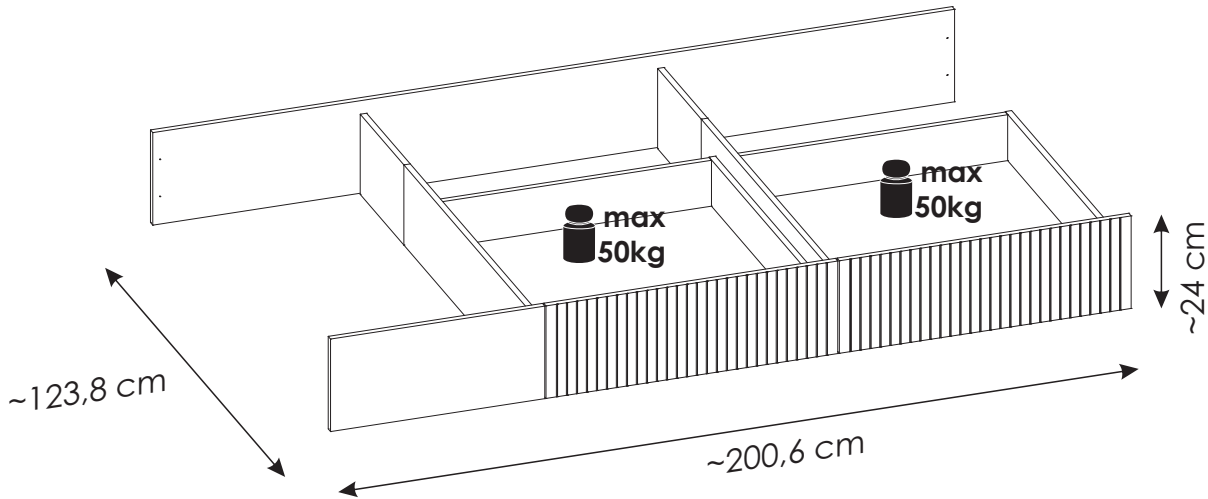
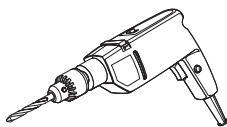
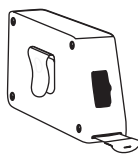
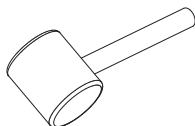
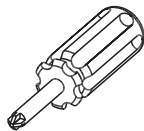
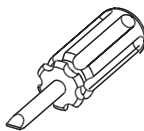
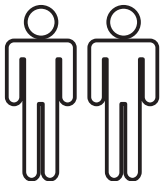
18 ▶

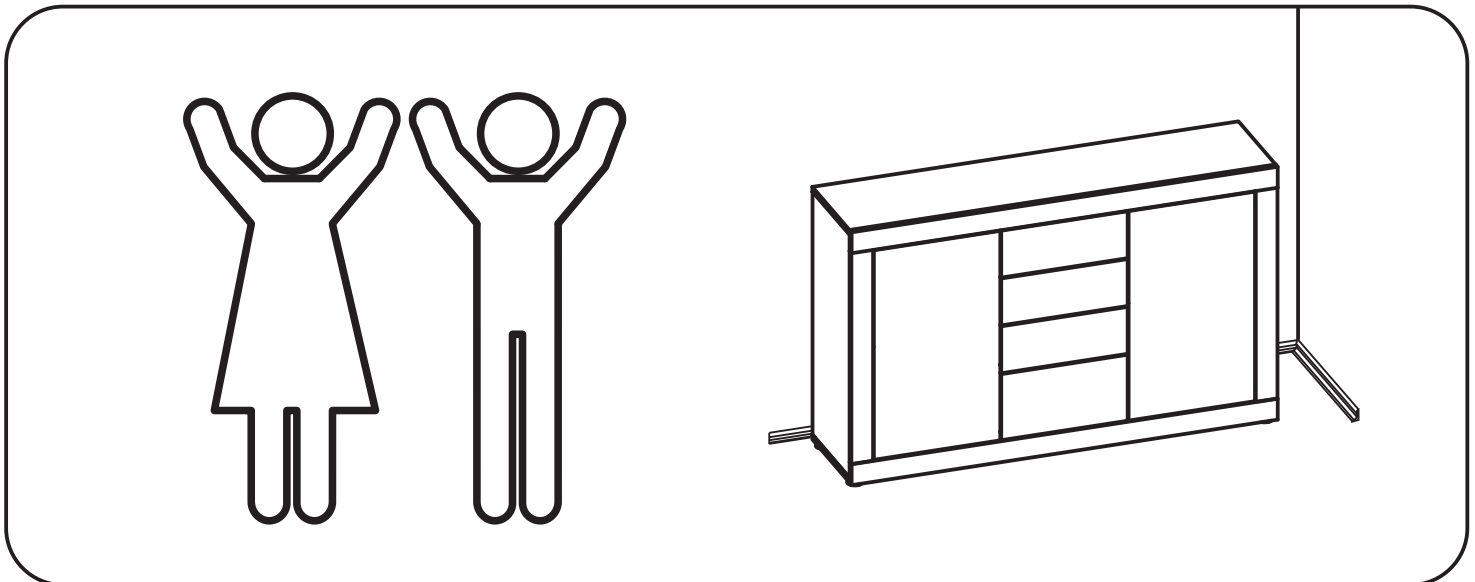
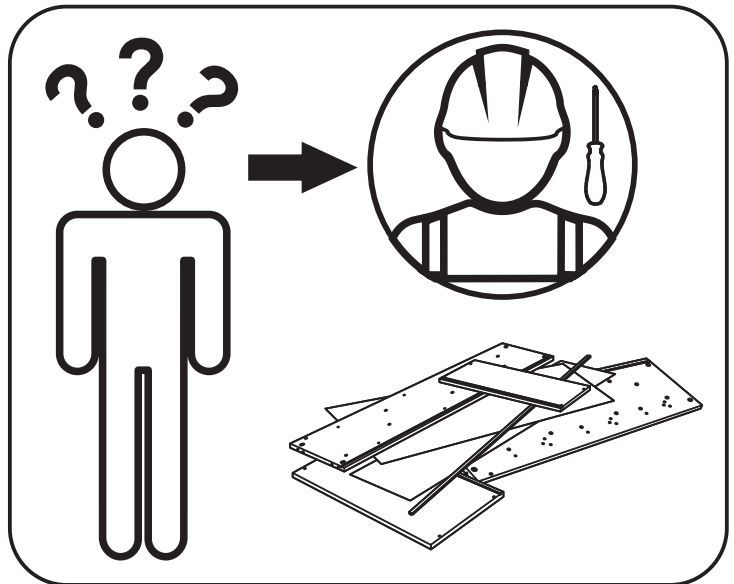
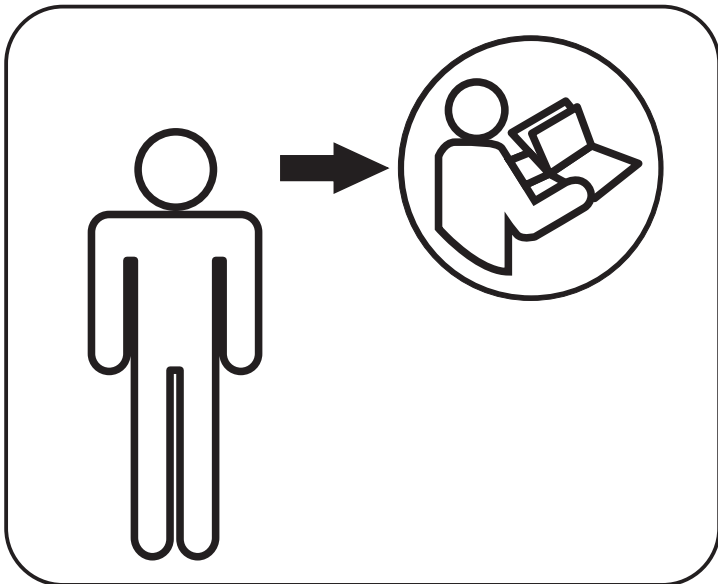
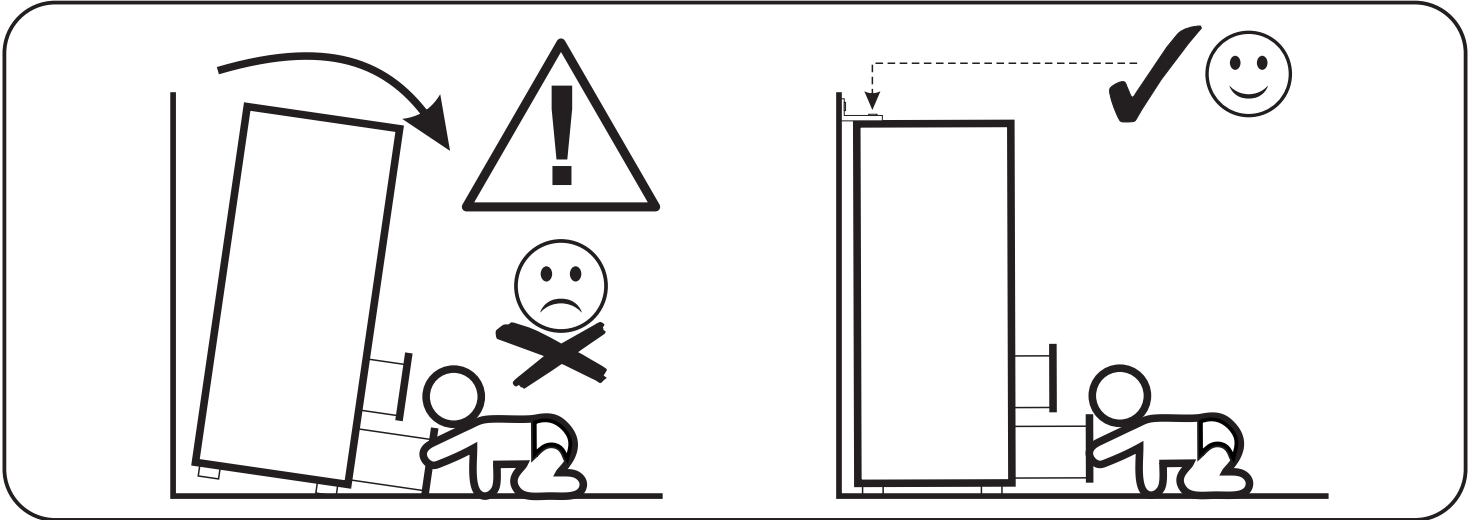
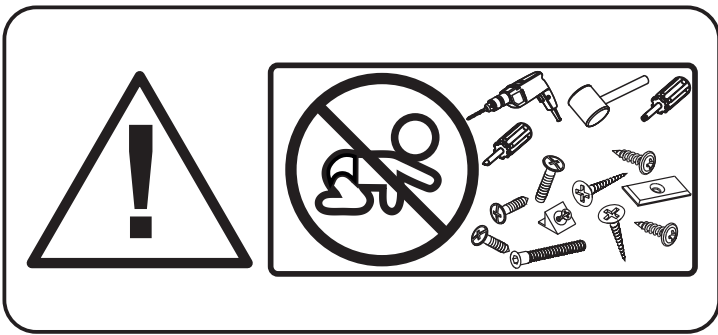






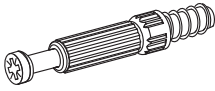
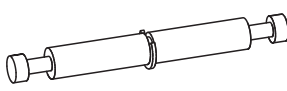
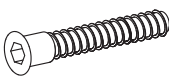
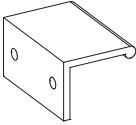
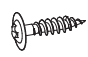
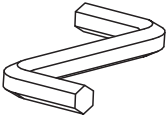
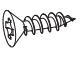

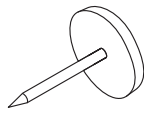
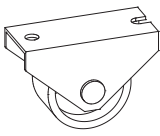
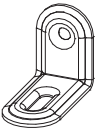
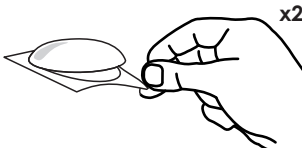
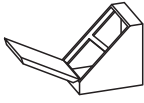
120kg

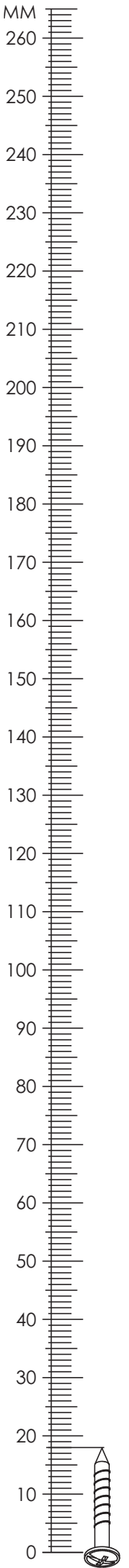


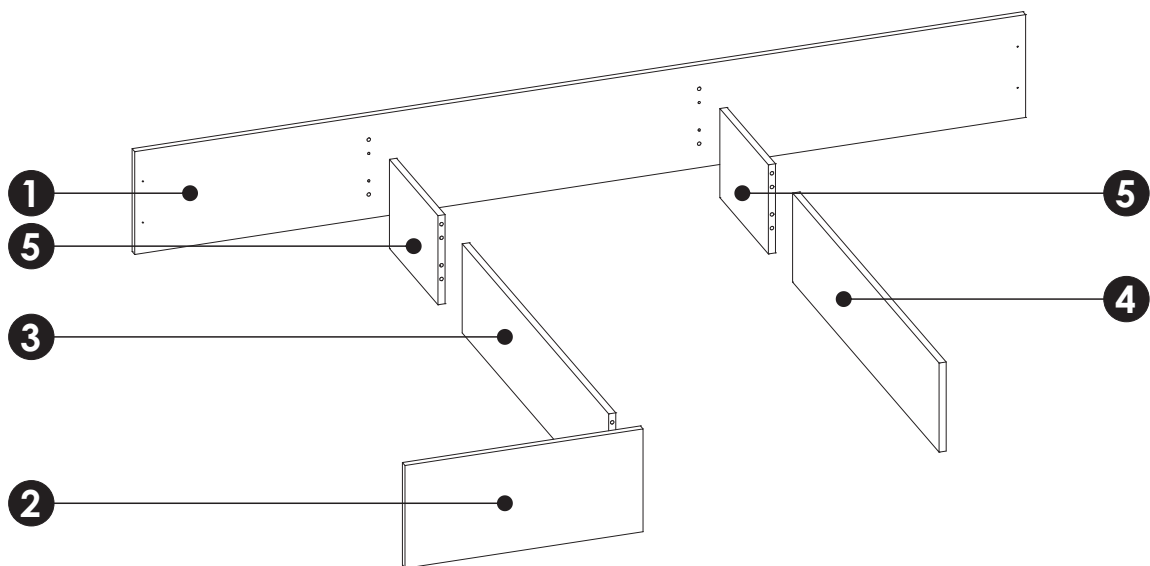
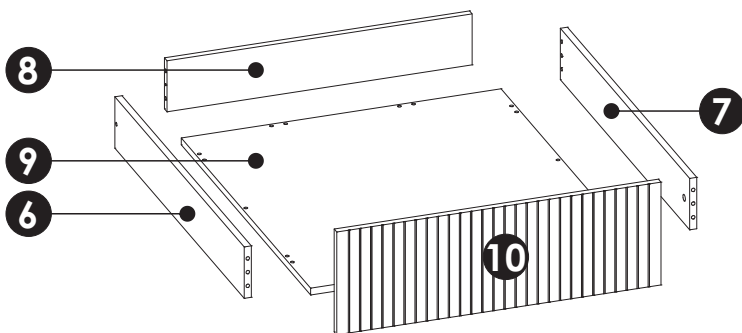
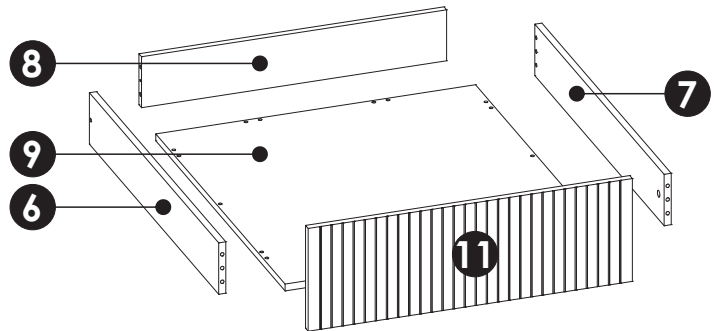
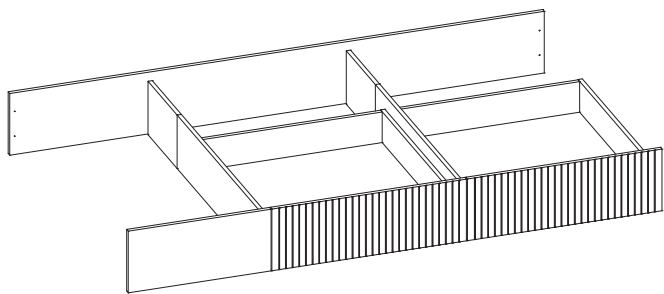






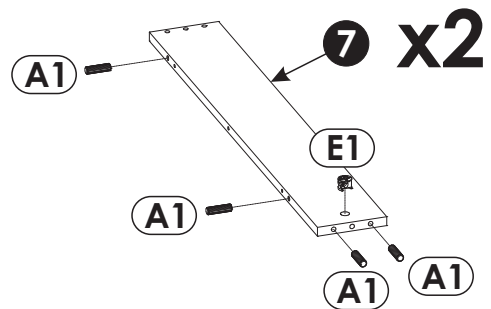
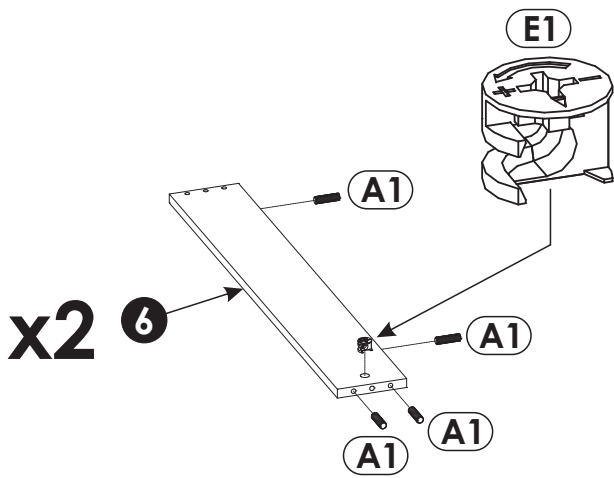
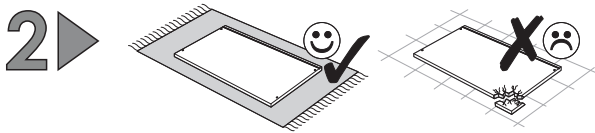
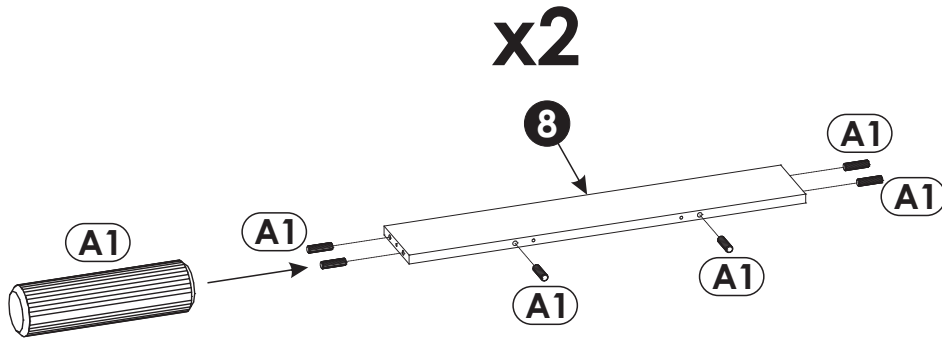
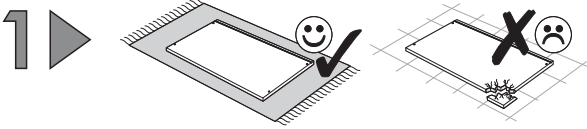
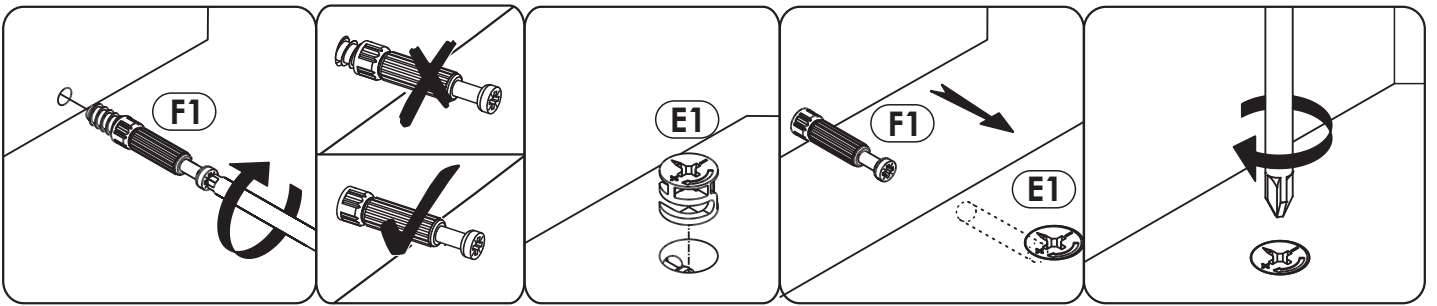
A1	8 x 35 mm 	x38	A2	8 x 45 mm 	x4	E0	Ø16 	x4
E1	15 x 12 mm 	x22	F1	6 x 34 mm 	x14	F3	7 x 64 mm 	x4
G1	7 x 50 mm 	x20	H1	L - 50 mm 	x2	I0	3 x 13 mm 	x16
M		x1	N4	3,5 x 13 mm 	x4	N5	3,5 x 16 mm 	x16
O2		x8	O5		x8	Q8		x6
R8		x2	W		x2			

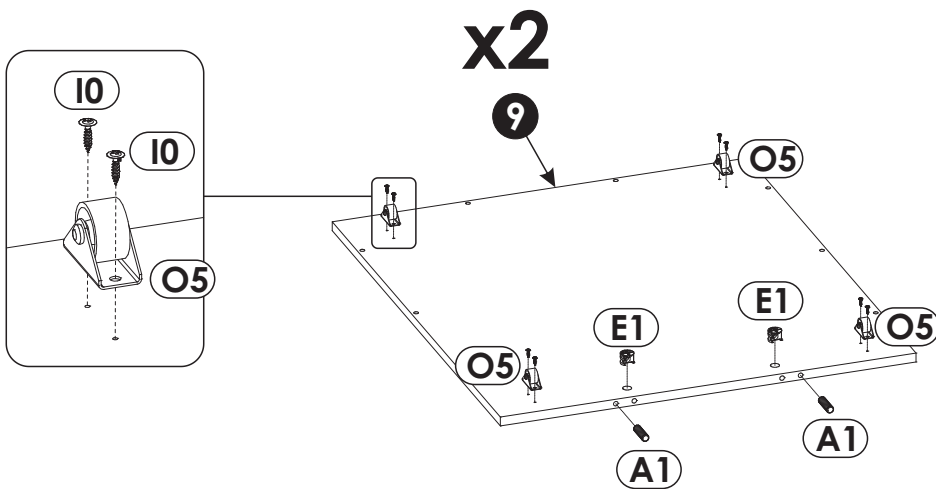
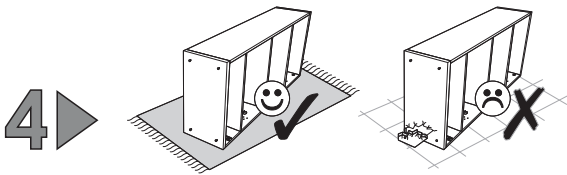
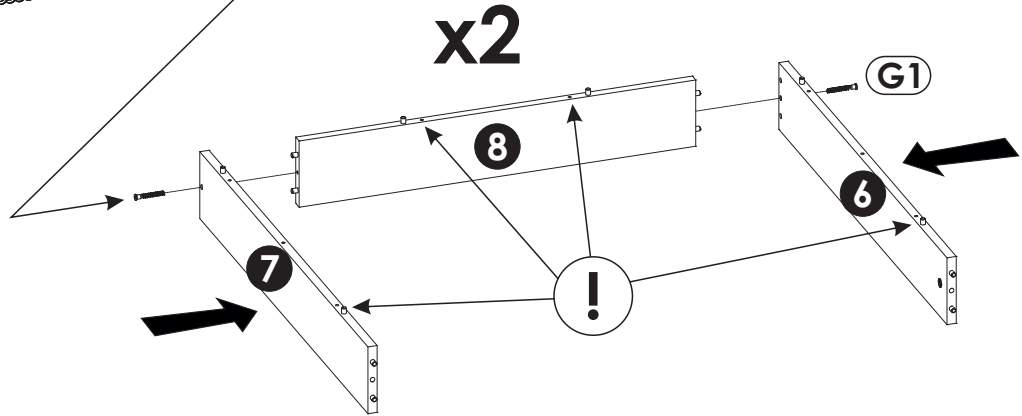
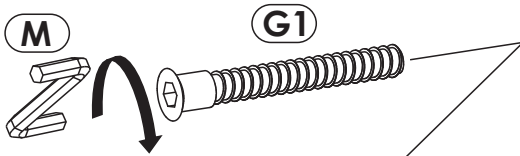
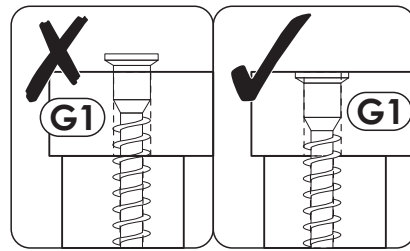
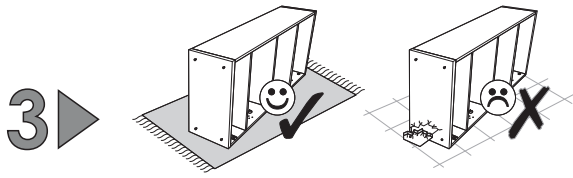


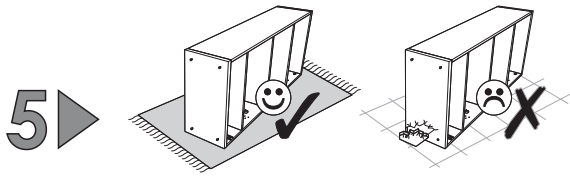


1	240	2006	16	x1	1/1
2	240	536	16	x1	1/1
3	906	208	16	x1	1/1
4	906	208	16	x1	1/1
5	300	208	16	x2	1/1

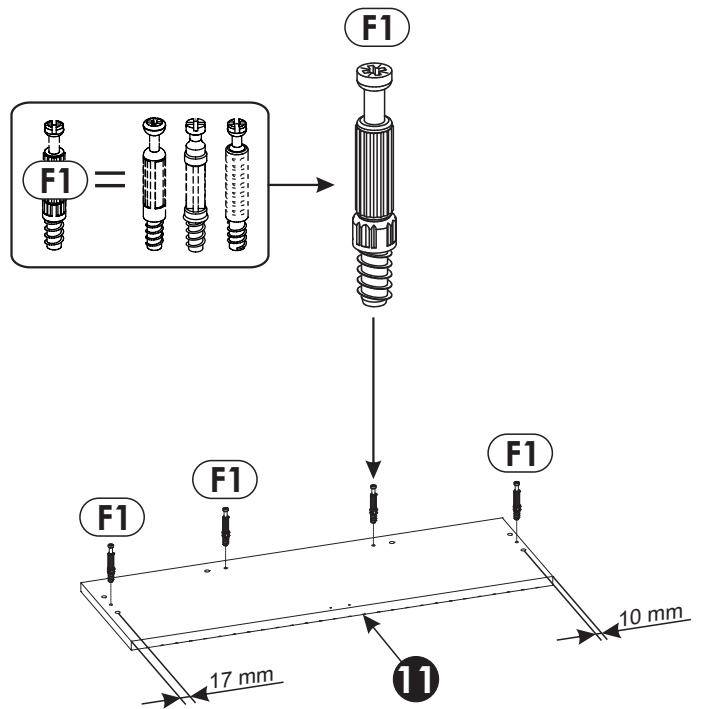
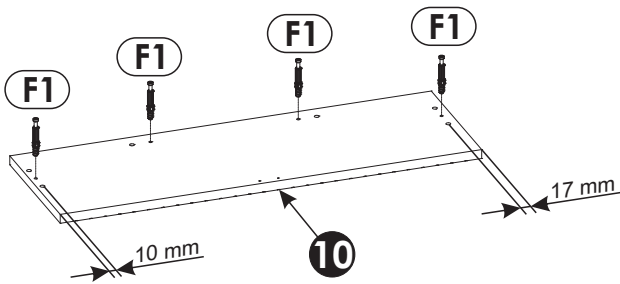
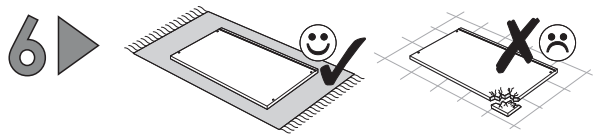
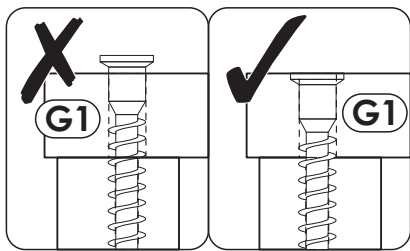
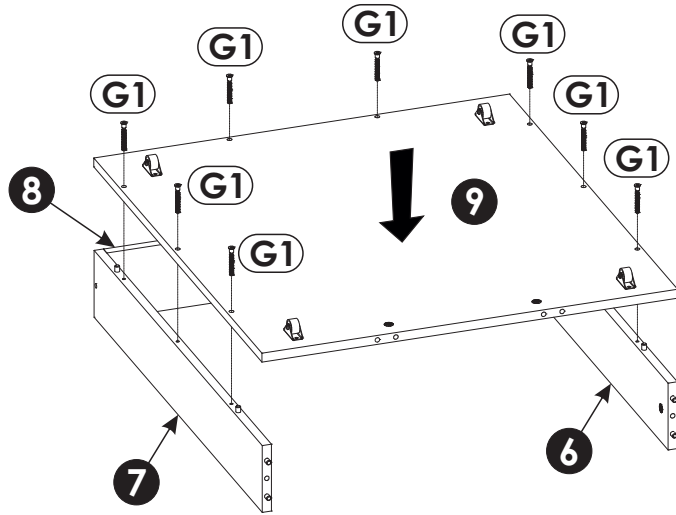
6	800	120	16	x2	1/1
7	800	120	16	x2	1/1
8	687	119	16	x2	1/1
9	720	800	16	x2	1/1
10	240	730	16	x1	1/1
11	240	730	16	x1	1/1

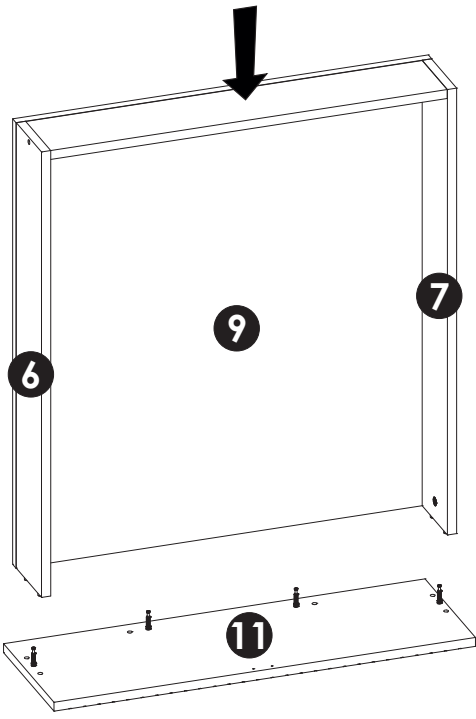
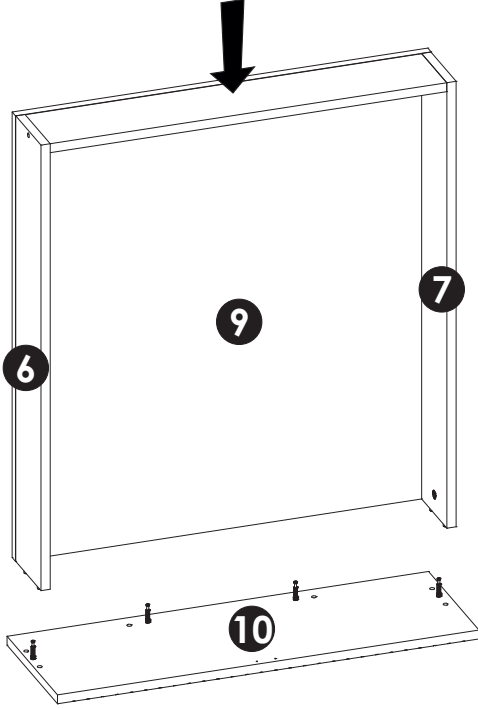
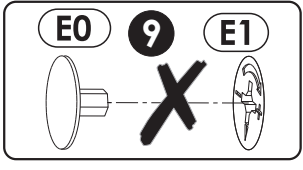
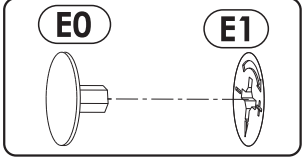
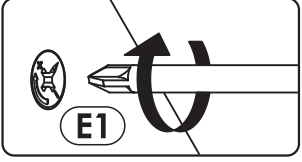
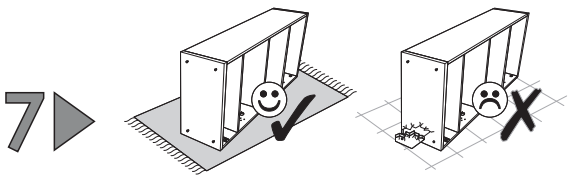




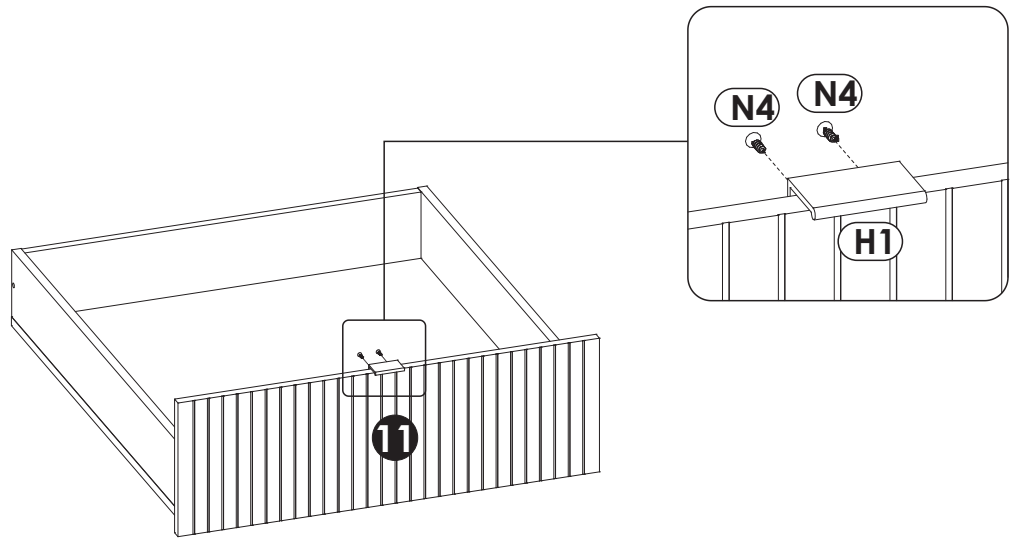
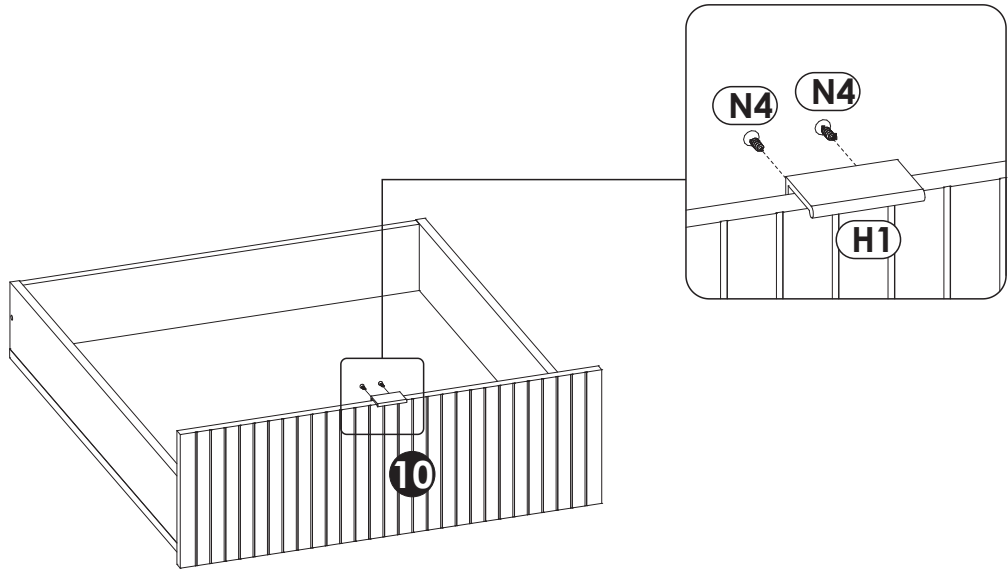
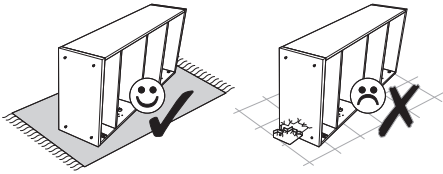


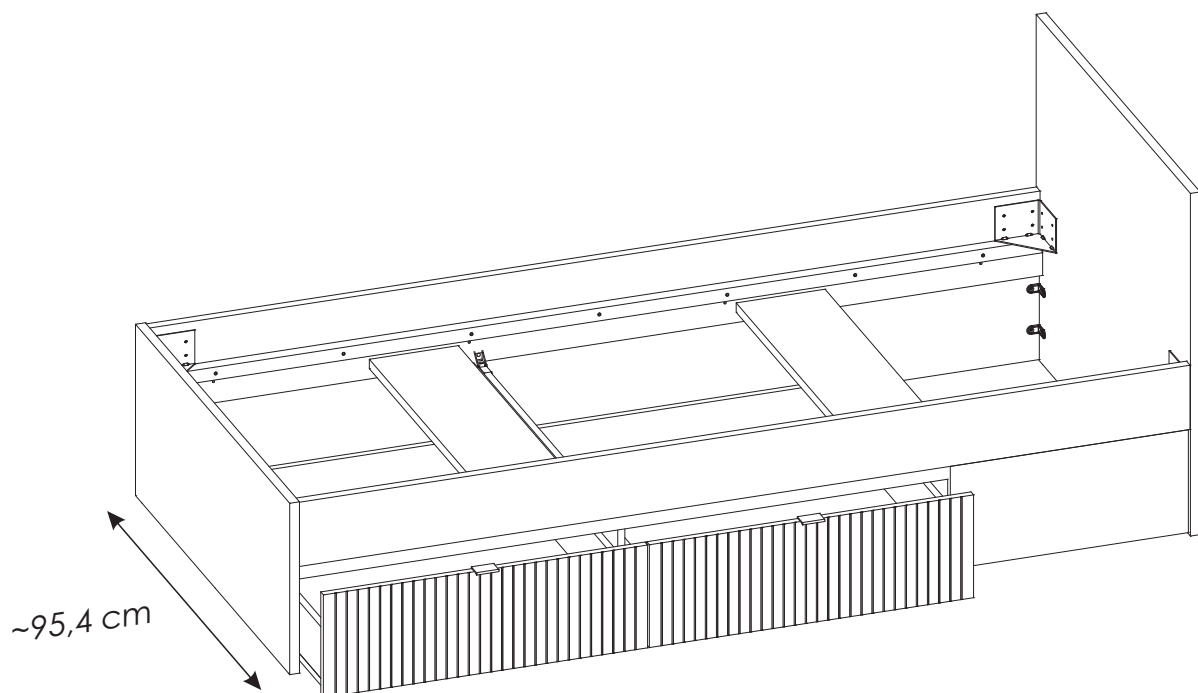
x2



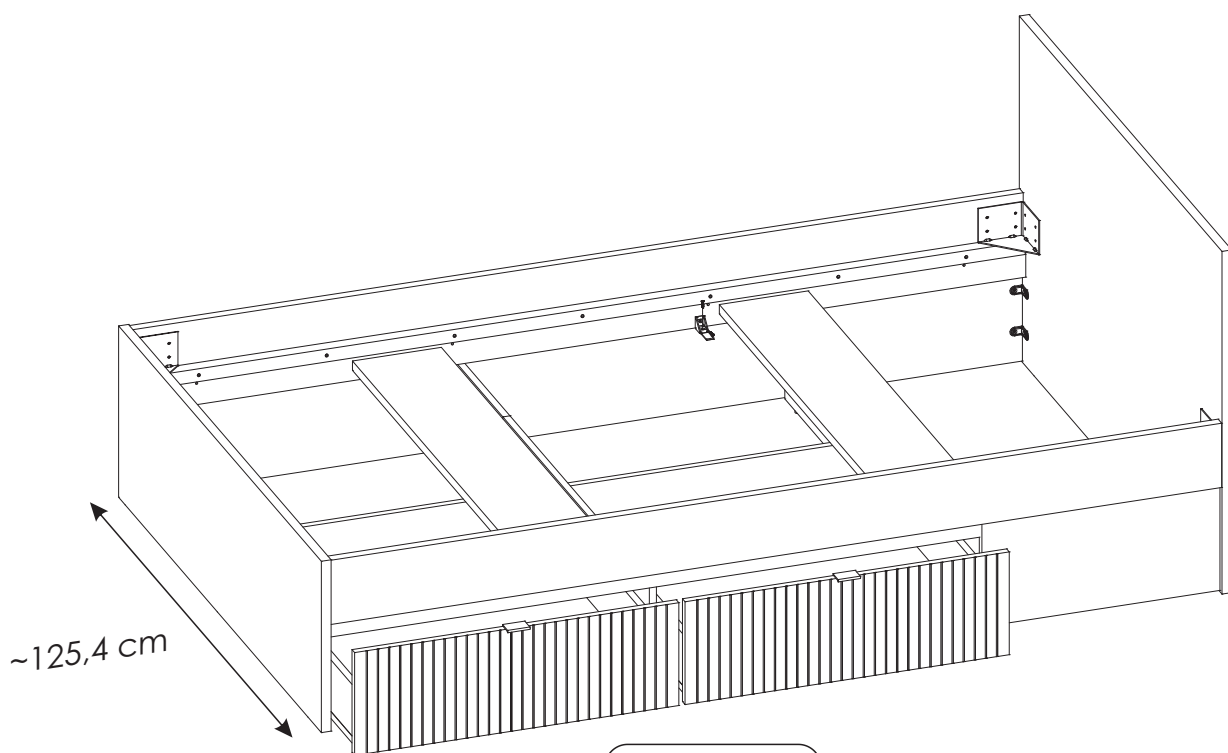


8 ▶



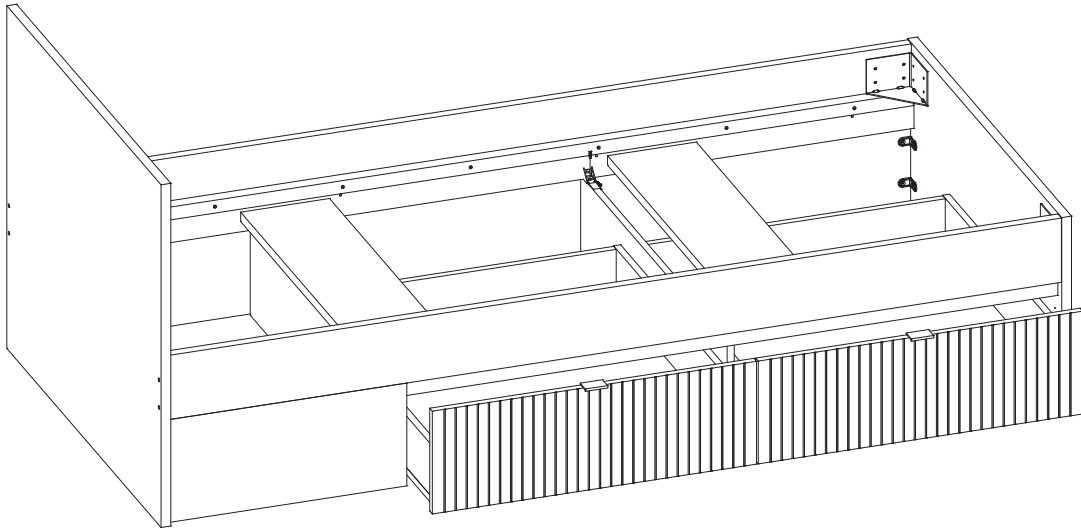


11-22



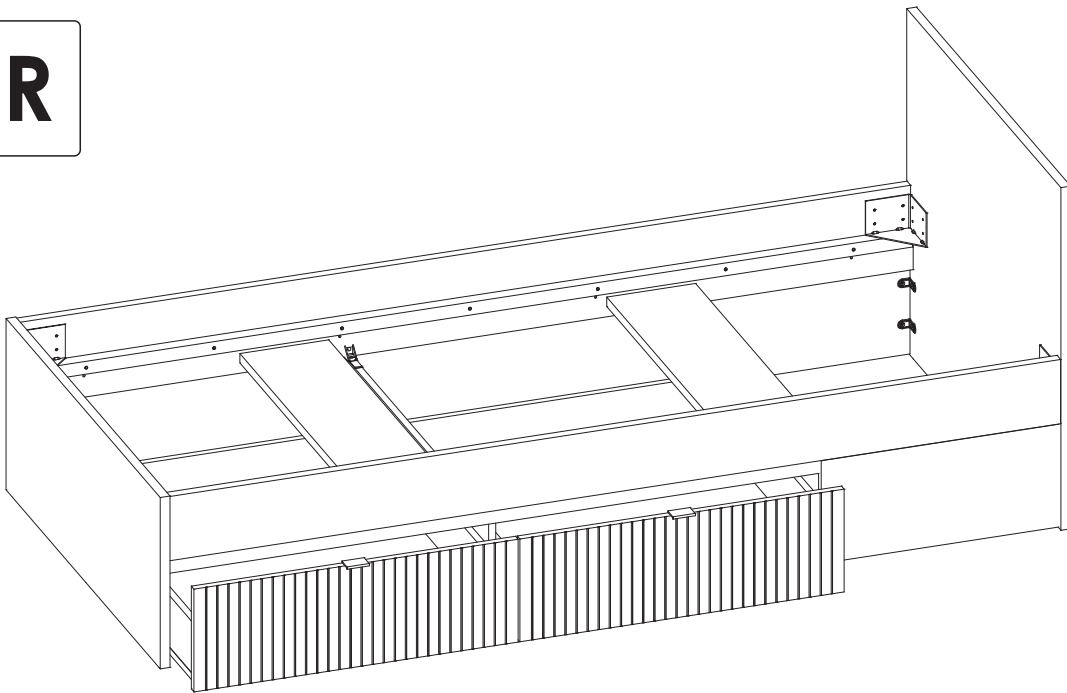
23-40

L



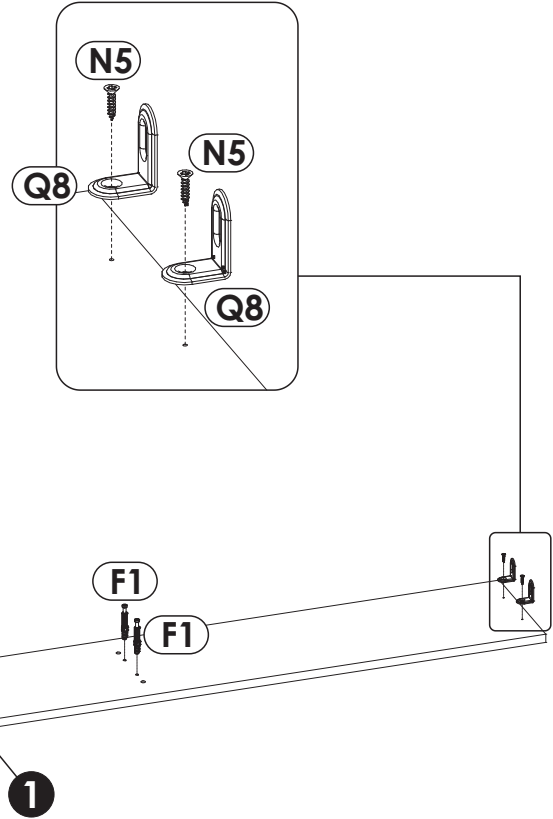
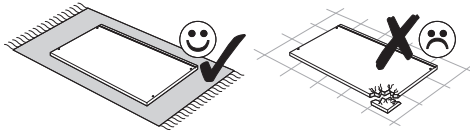
12-16

R

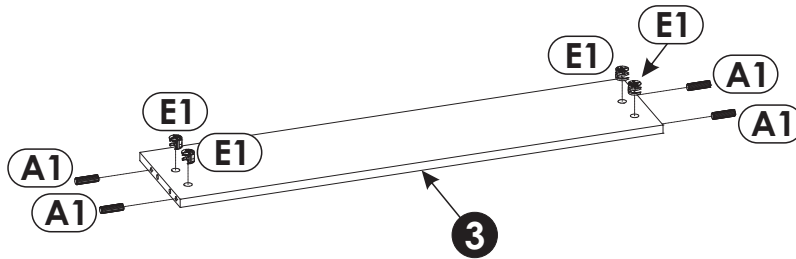
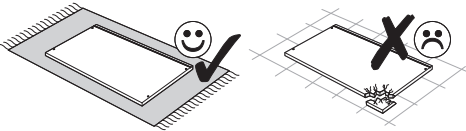


17-22

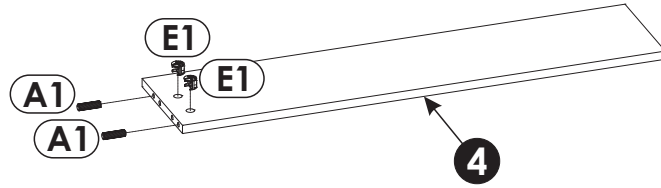
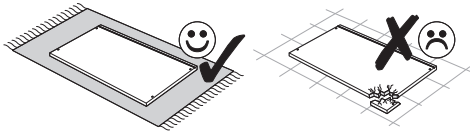
9 ▶



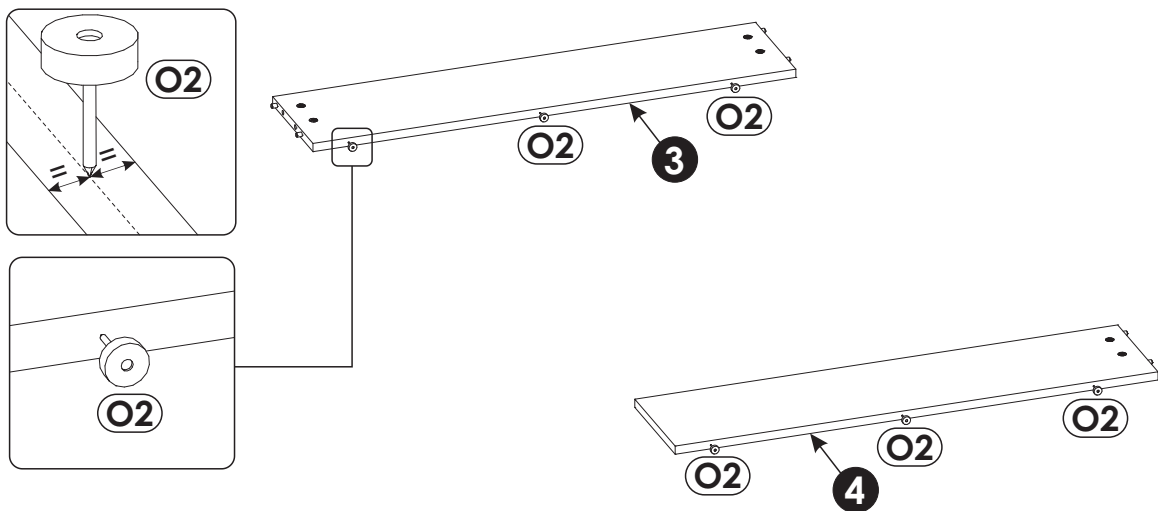
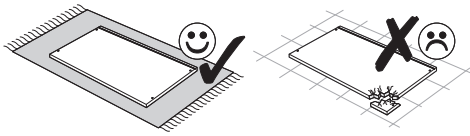
10 ▶



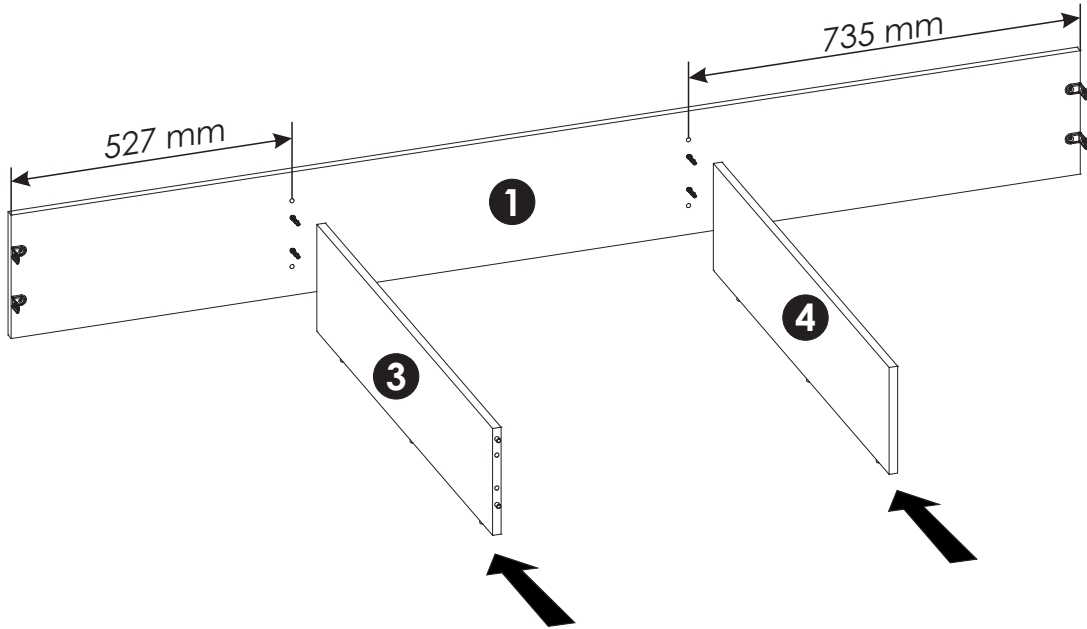
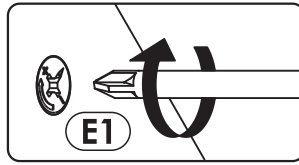
11▶



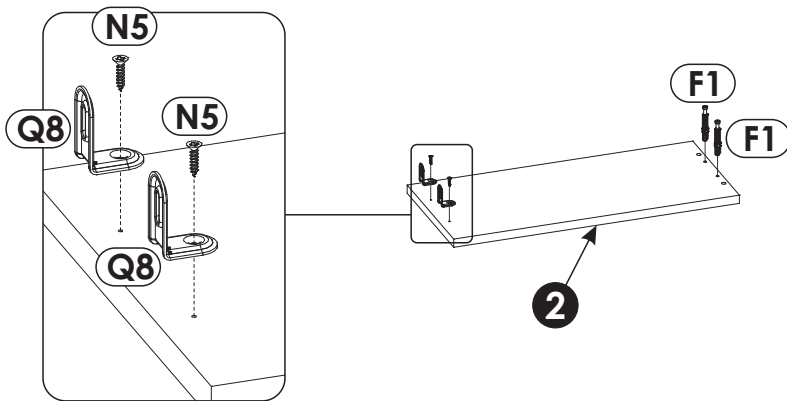
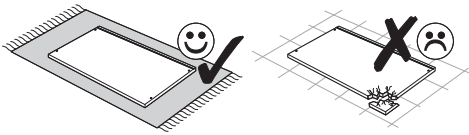
12▶



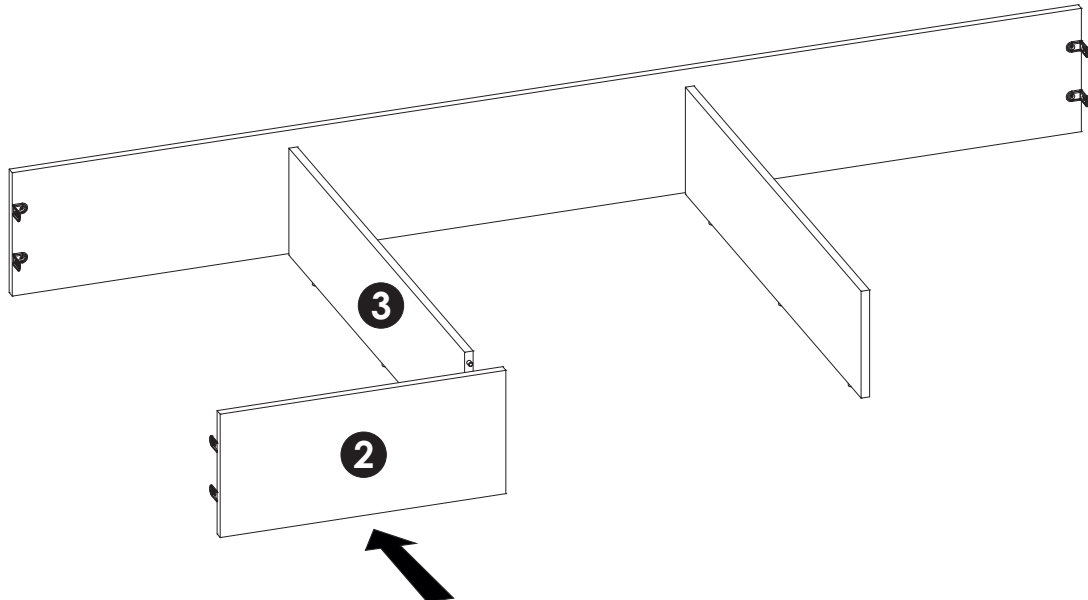
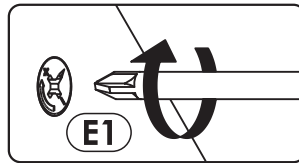
13▶



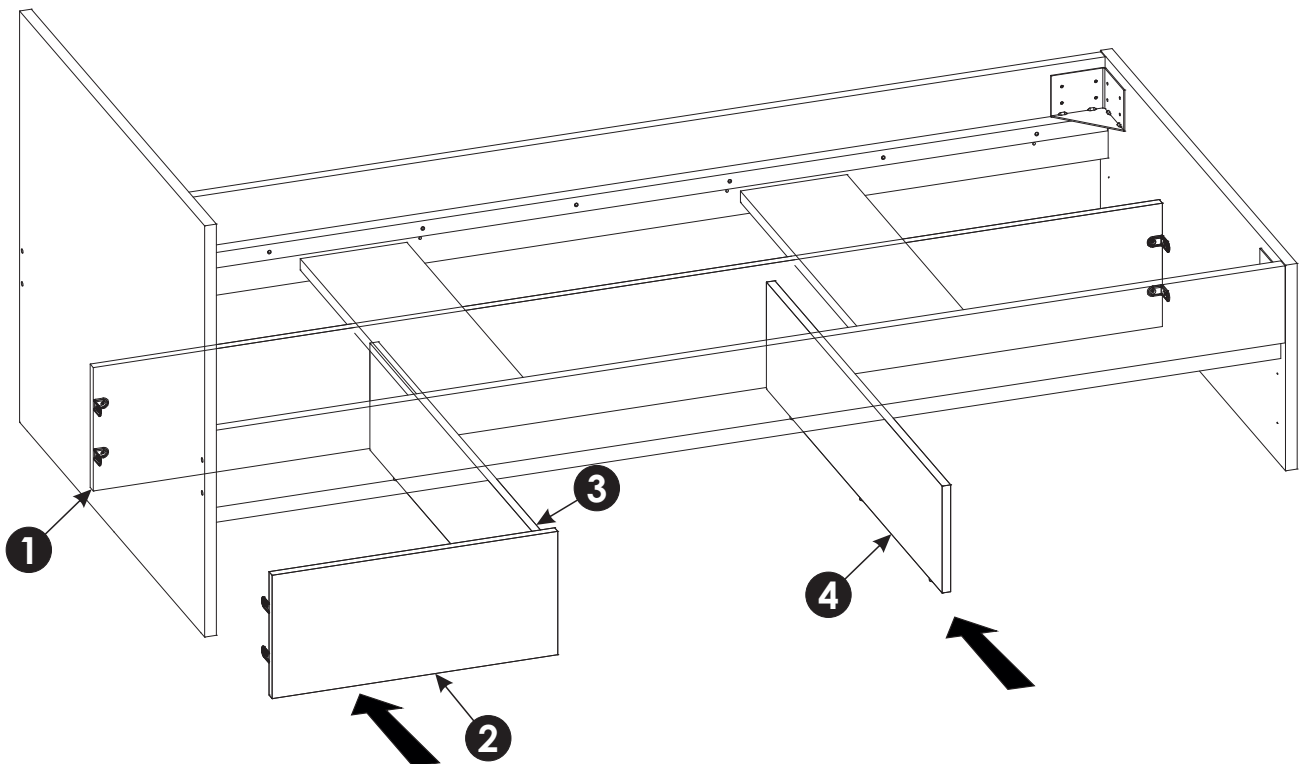
14▶



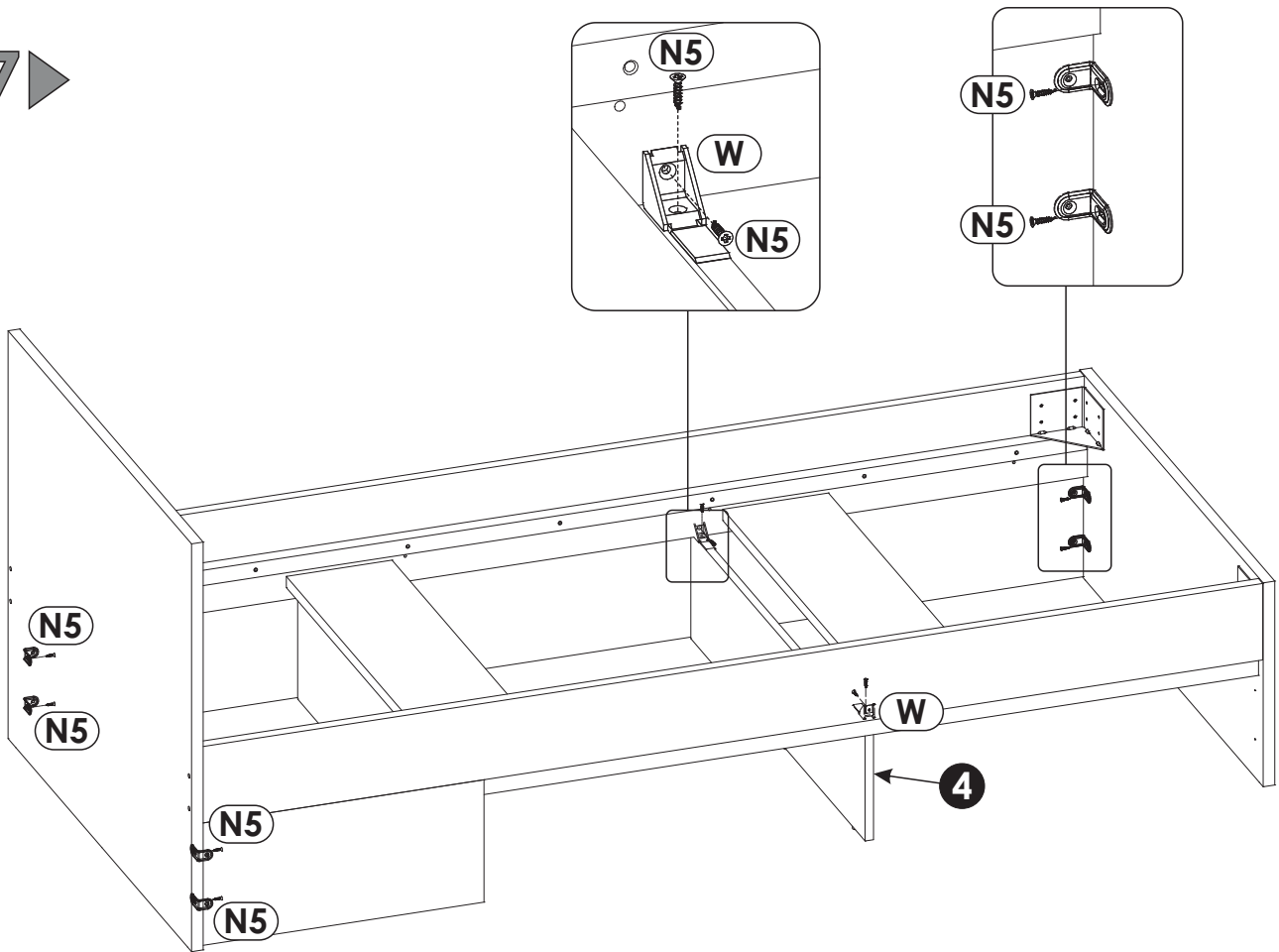
15▶



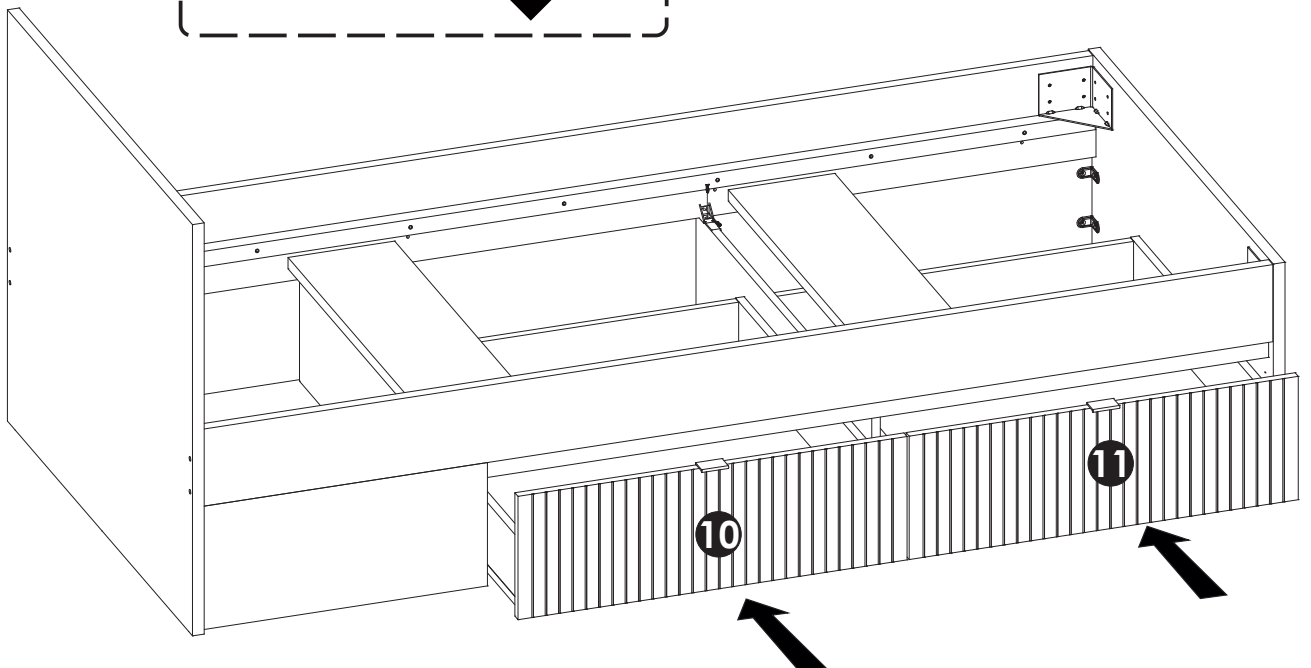
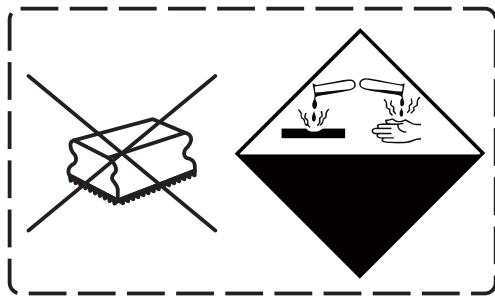
16▶



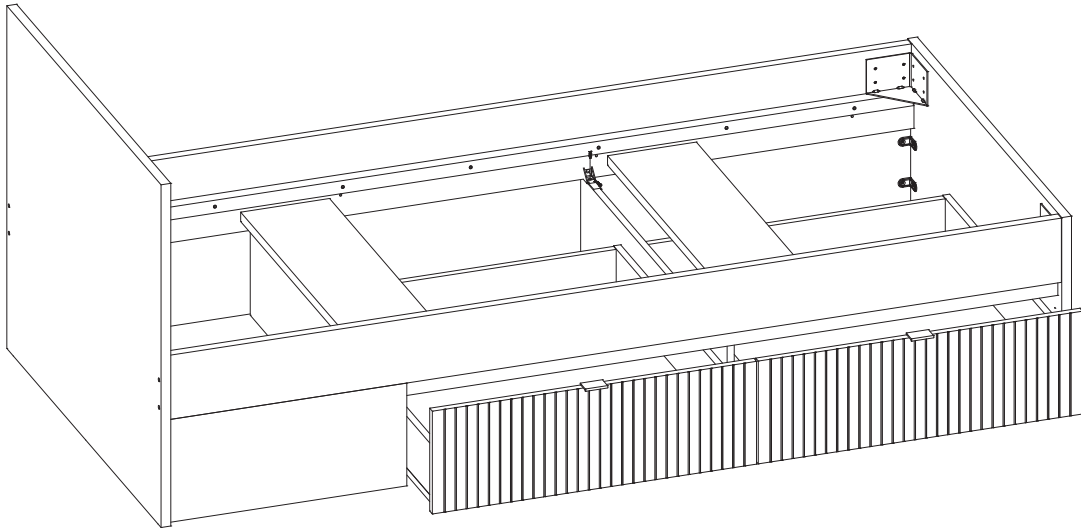
17▶



18▶

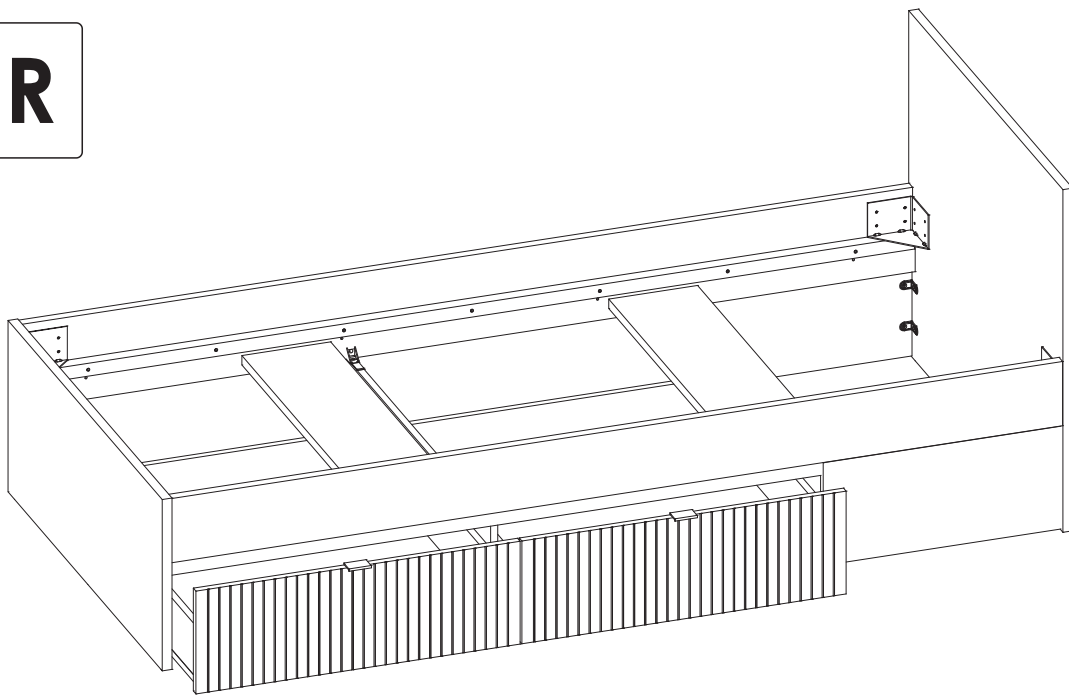


L



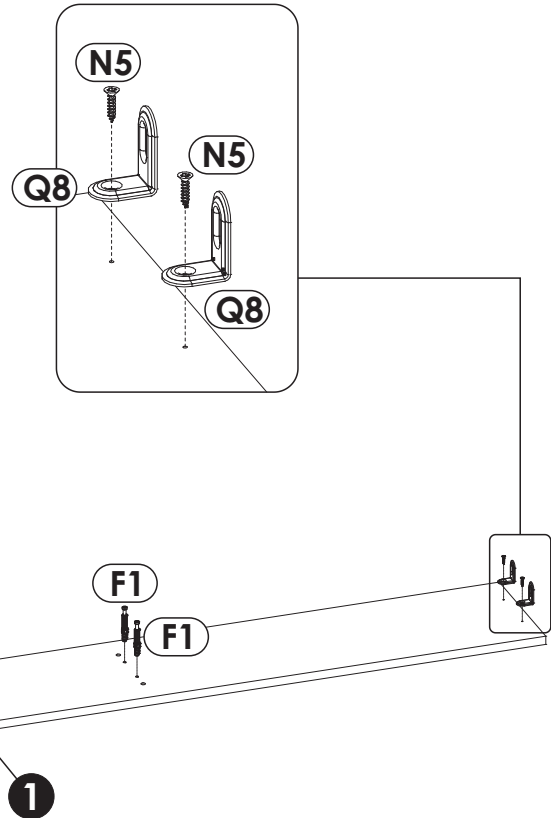
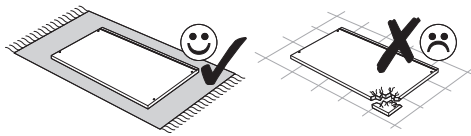
12-16

R

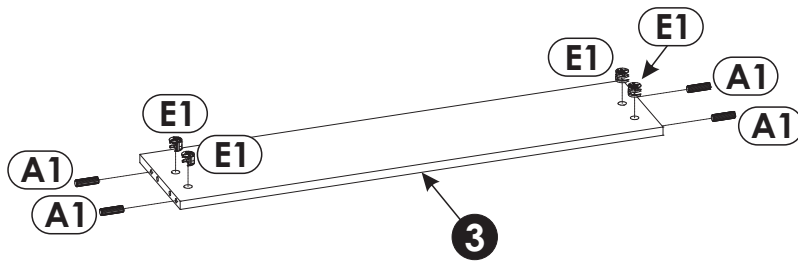
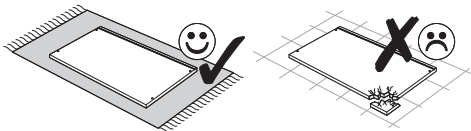


17-22

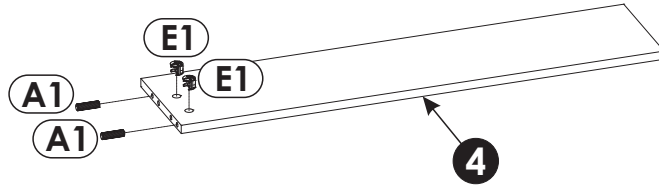
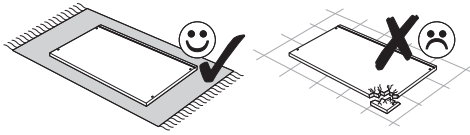
9 ▶



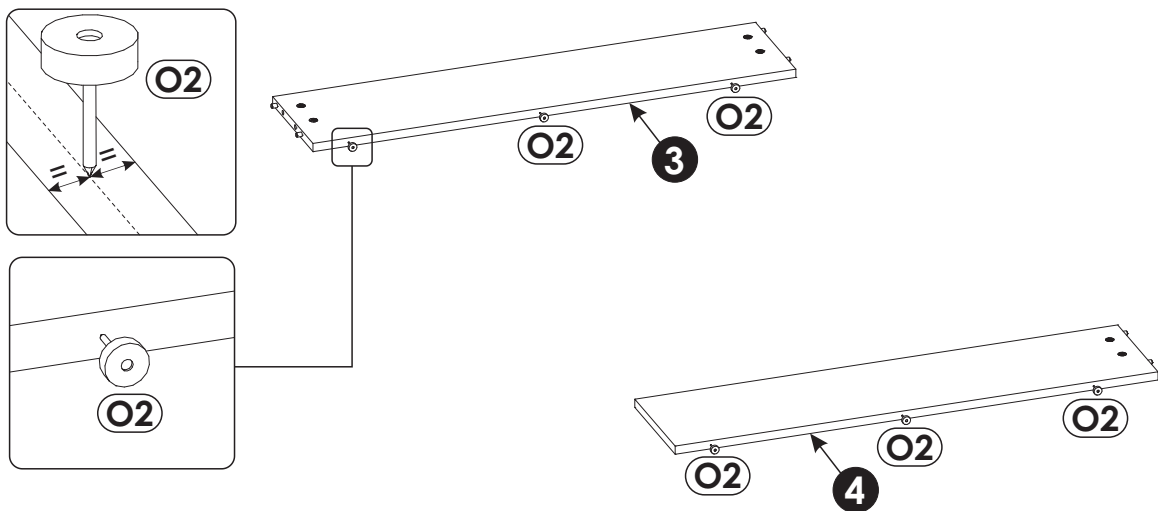
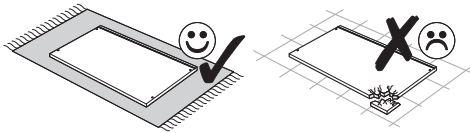
10 ▶



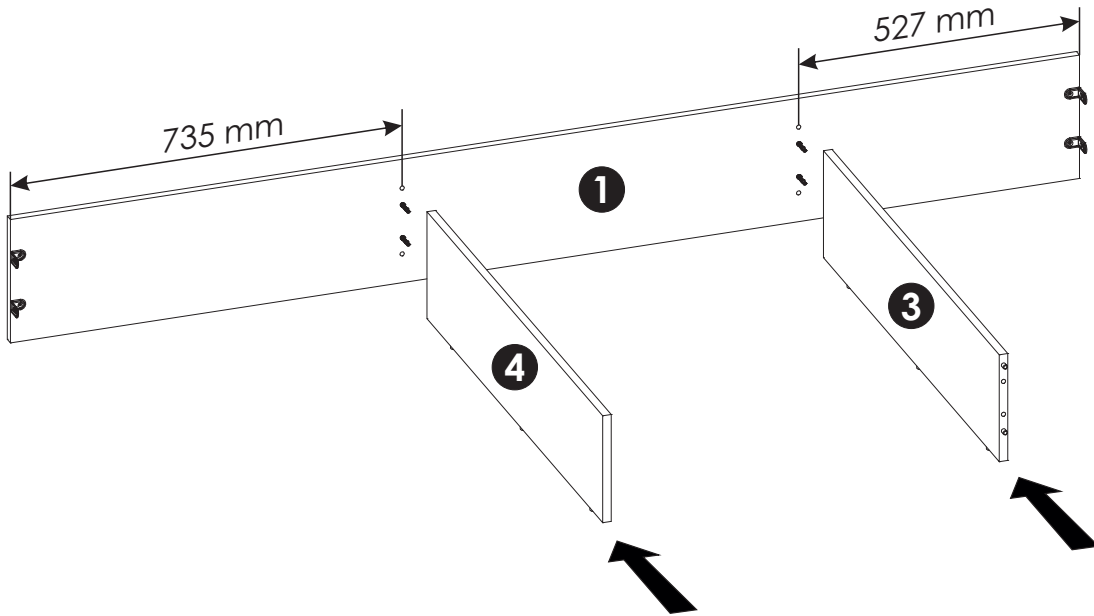
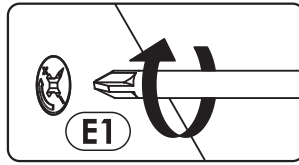
11▶



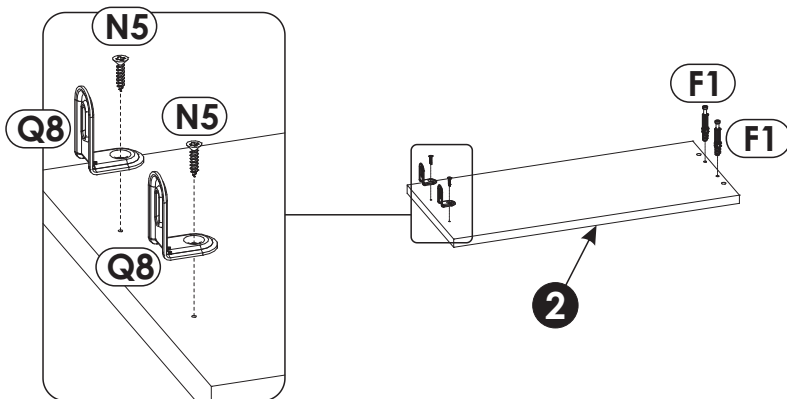
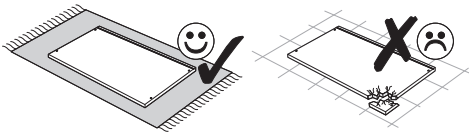
12▶



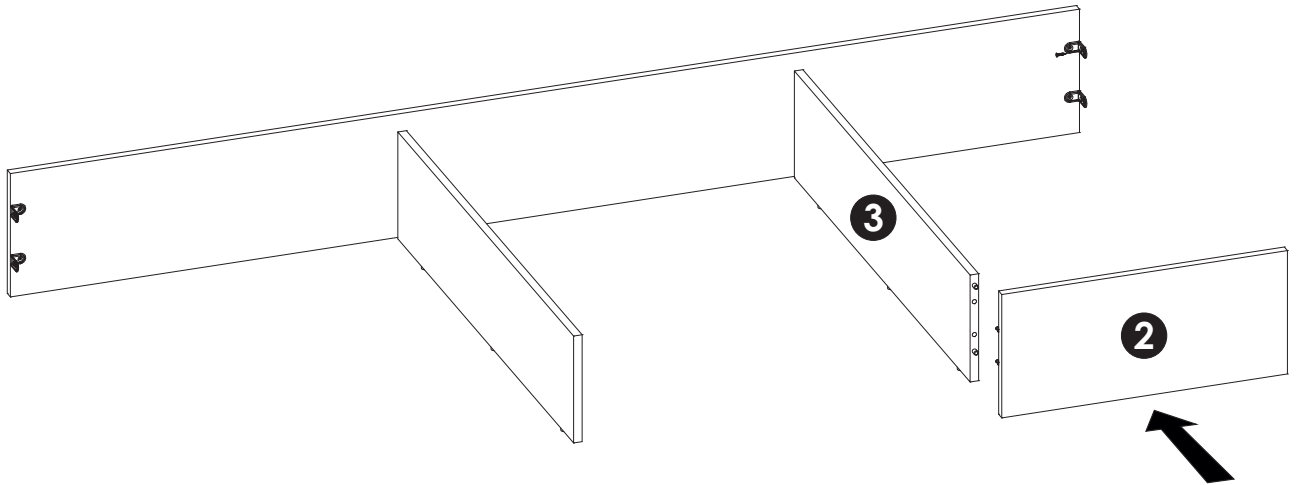
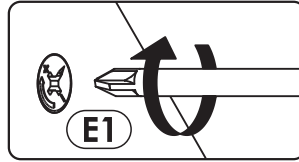
13▶



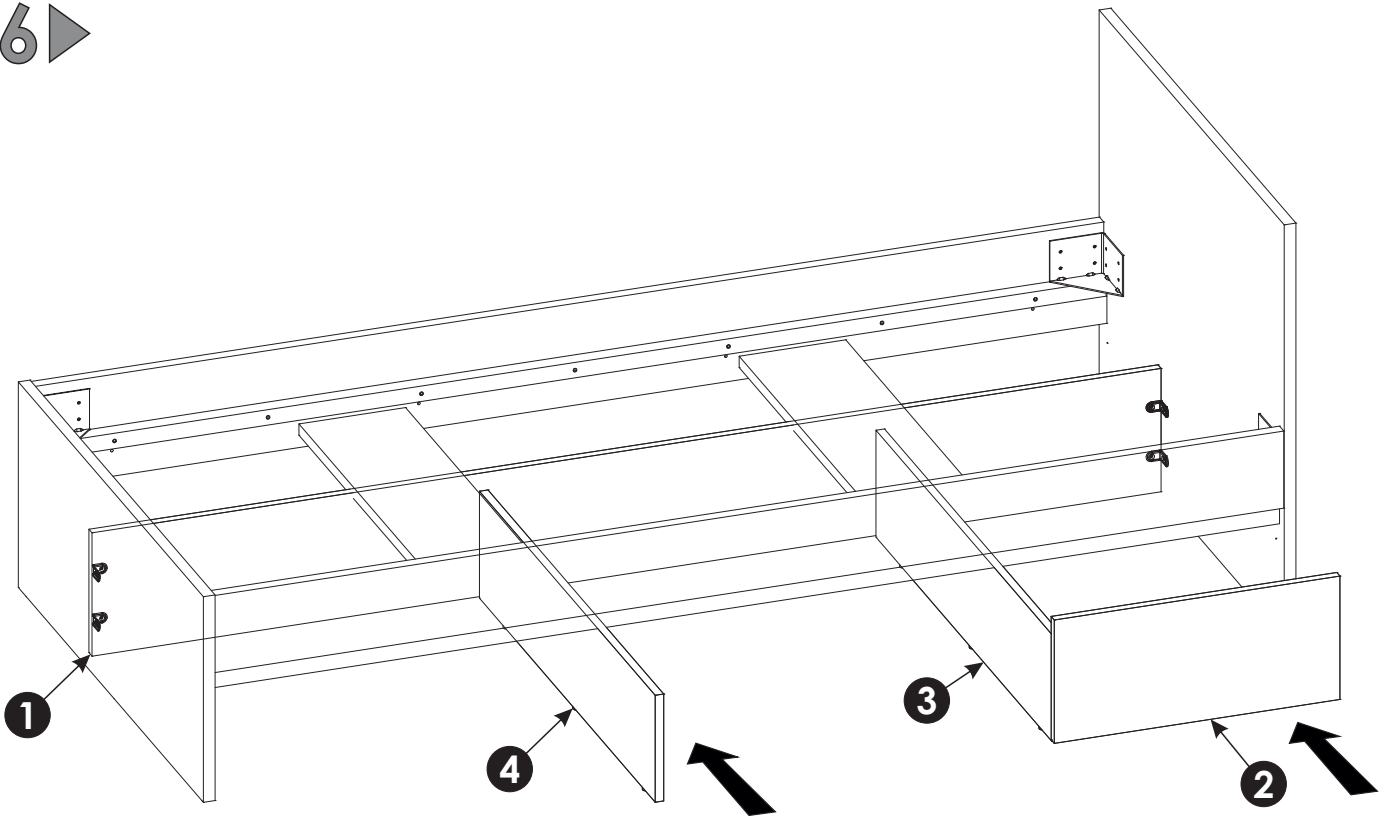
14▶



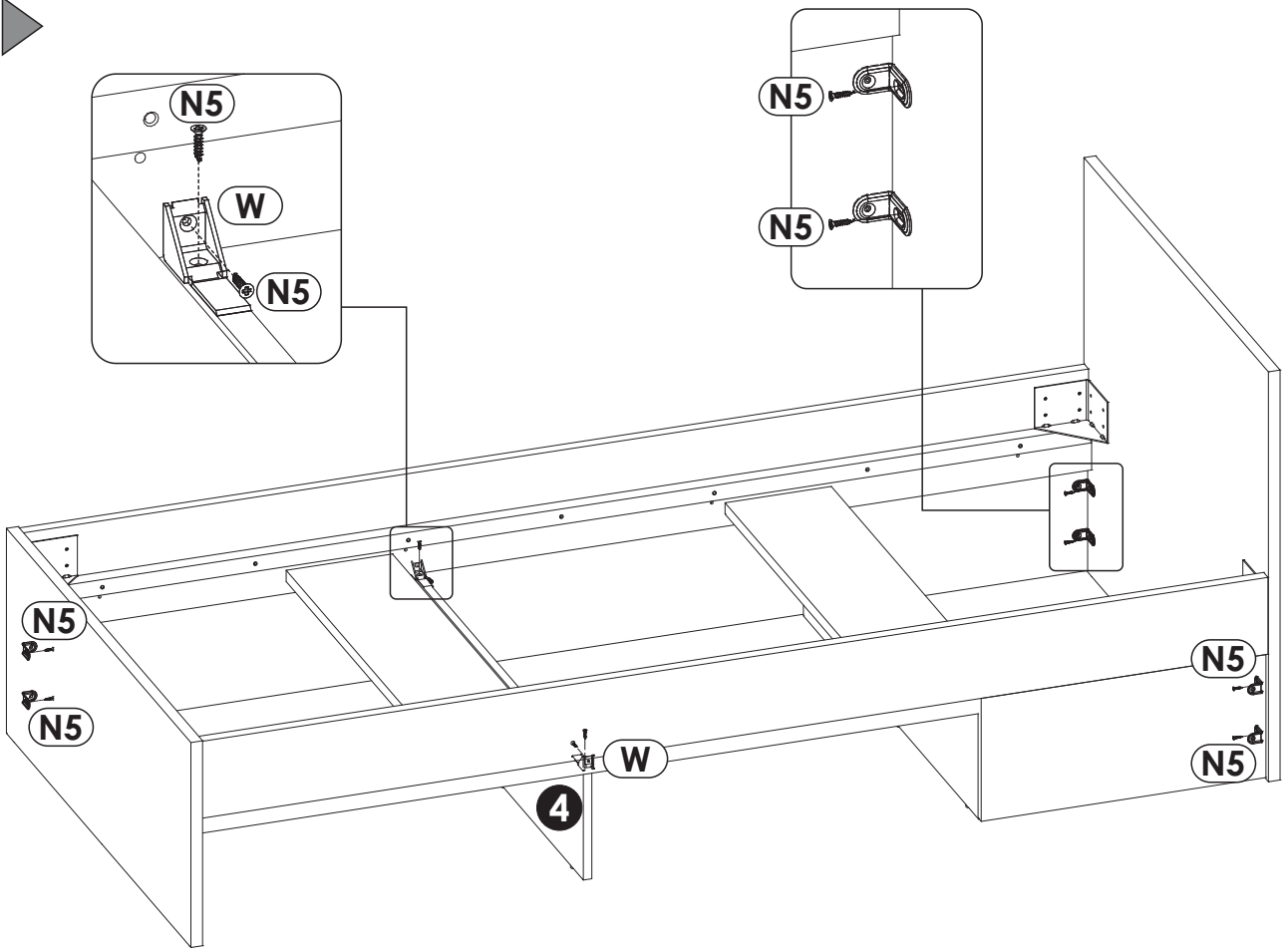
15▶



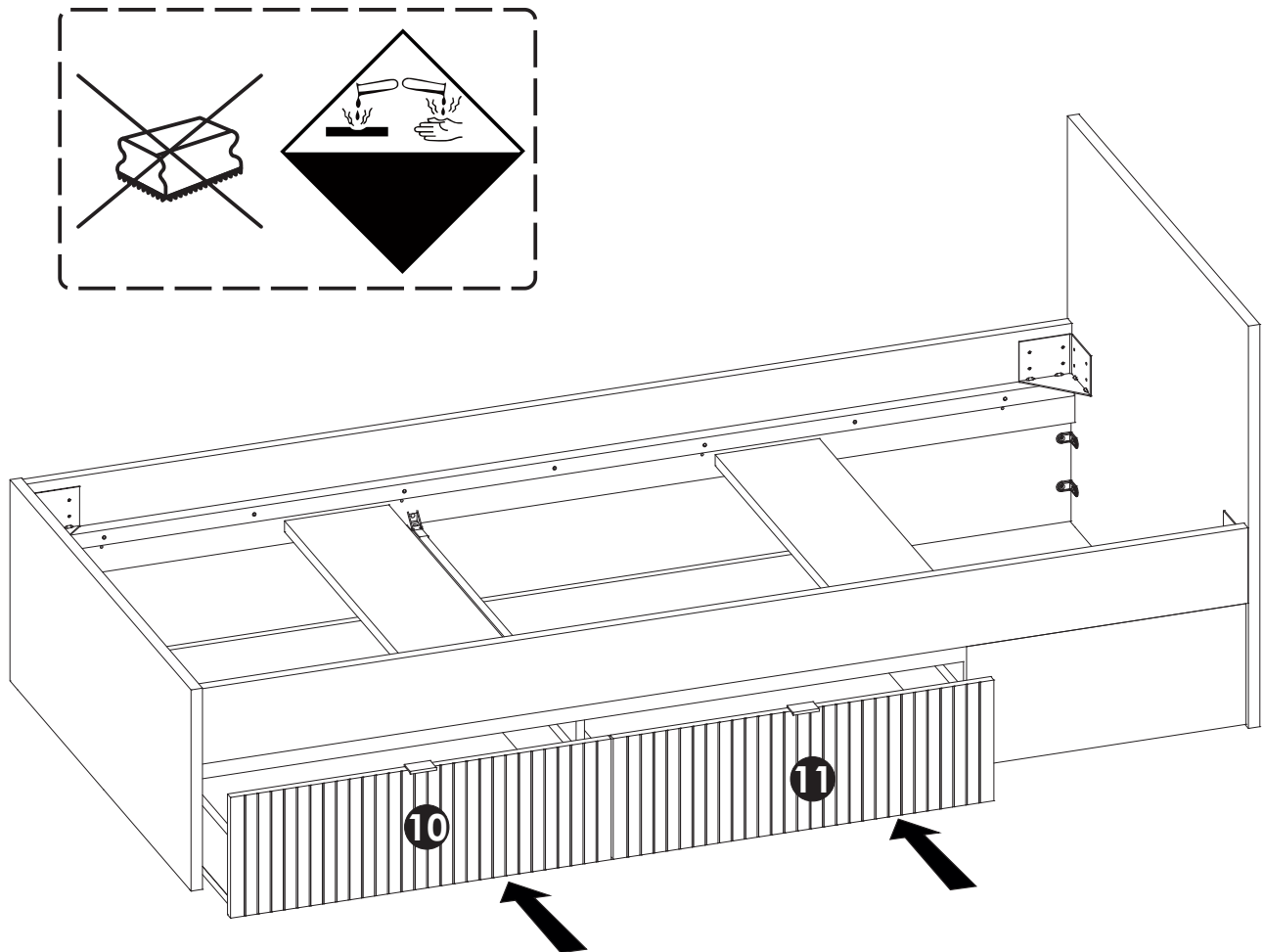
16▶

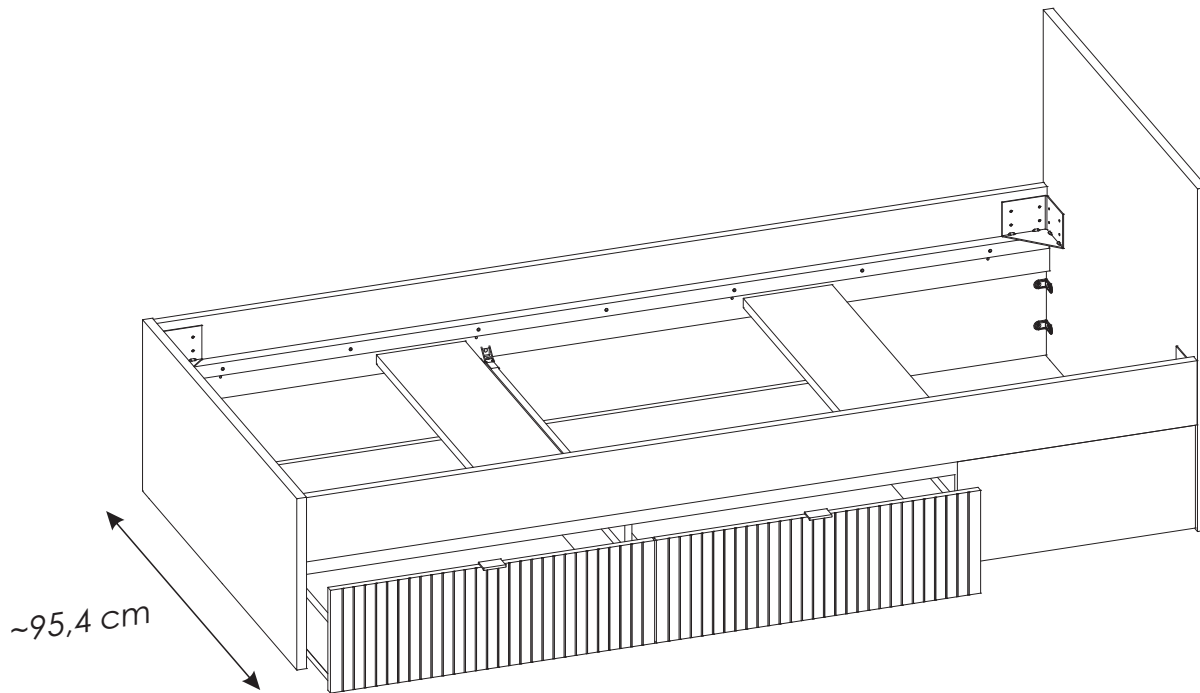


17▶

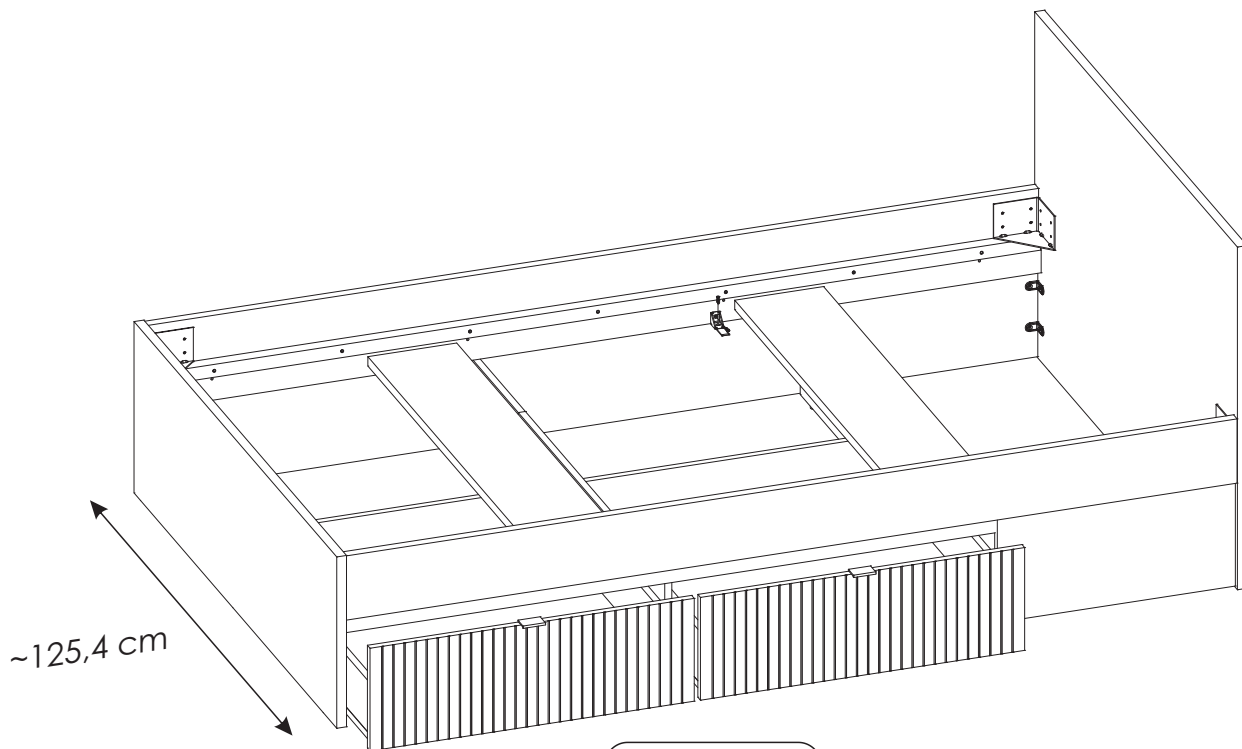


18▶



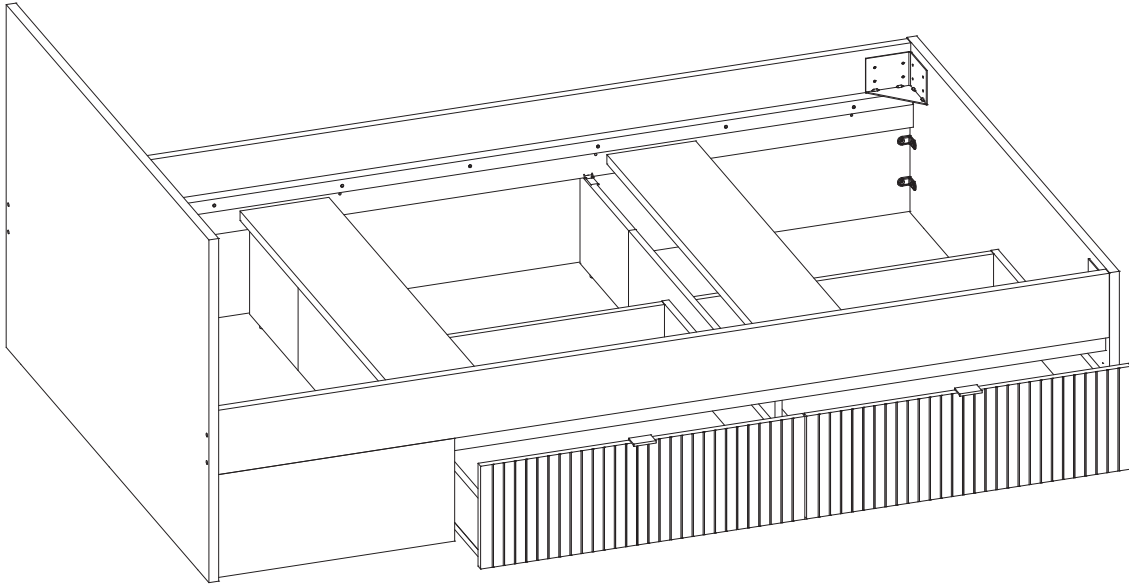


11-22



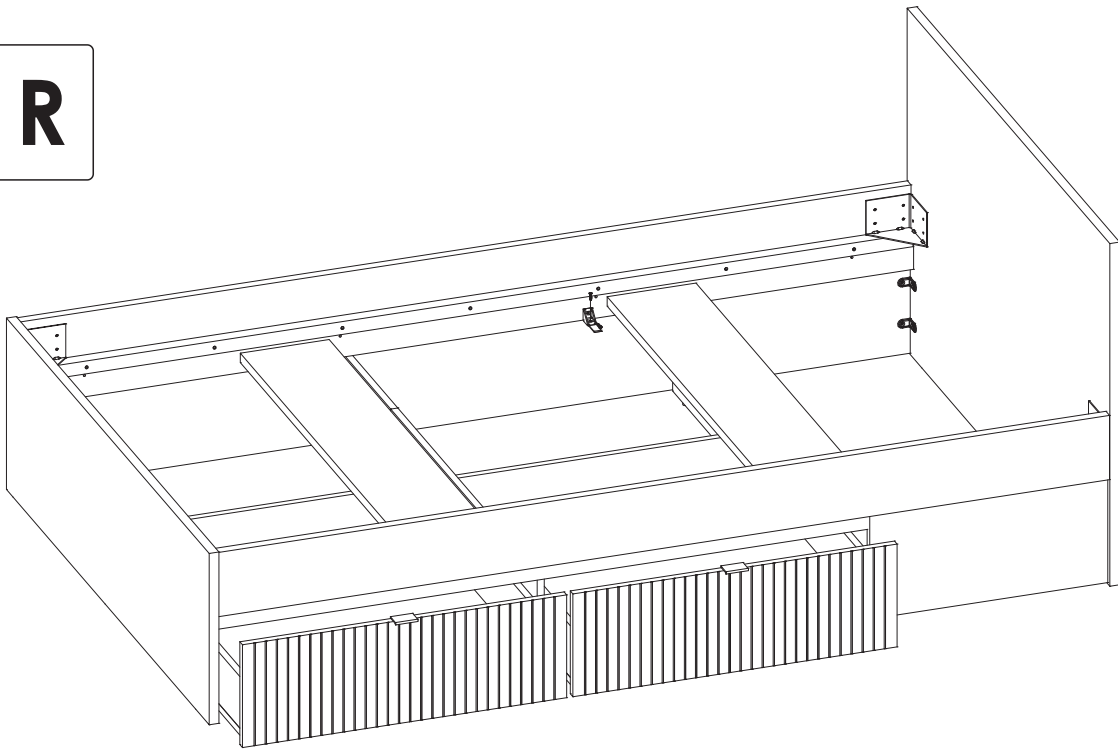
23-40

L



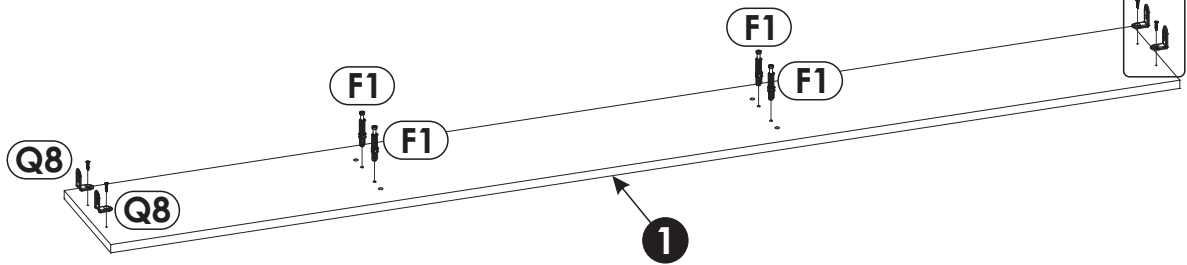
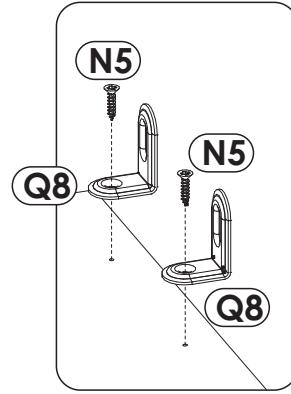
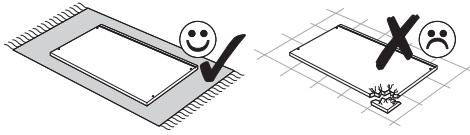
25-31

R

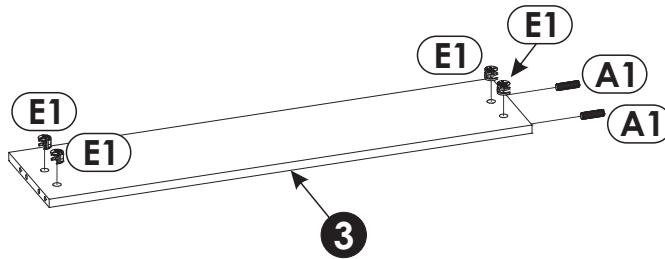
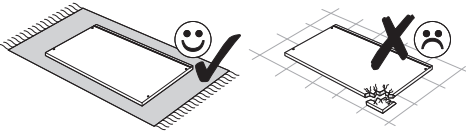


32-40

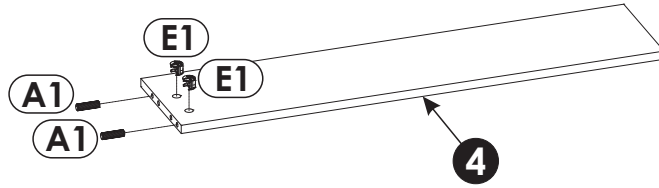
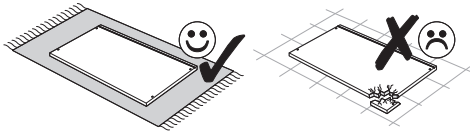
9 ▶



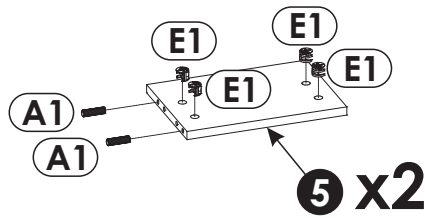
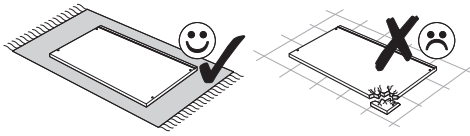
10 ▶



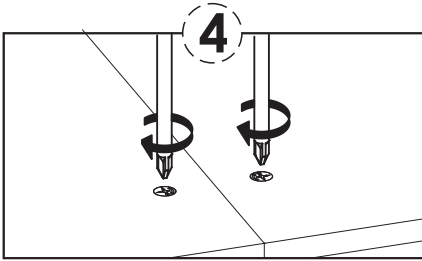
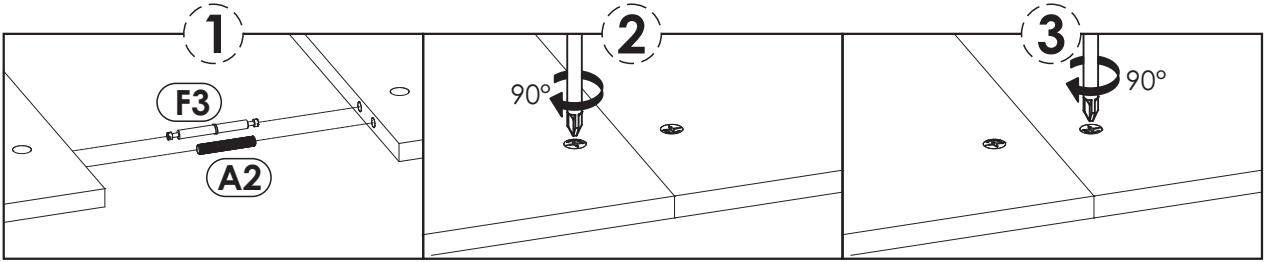
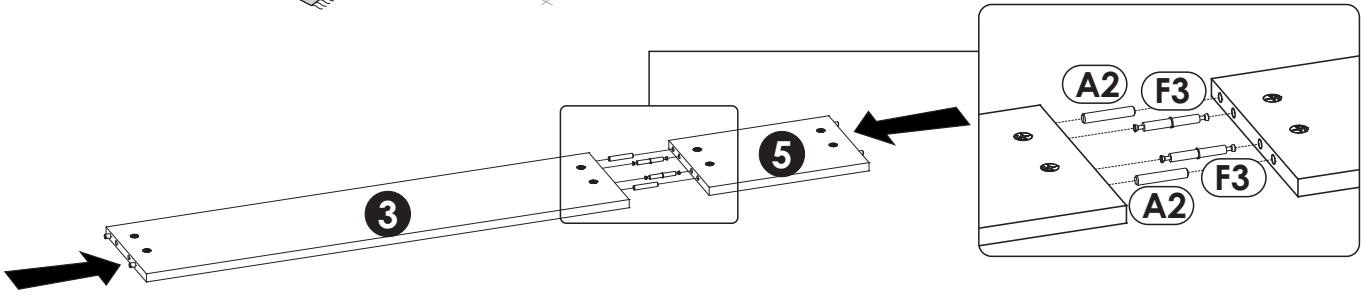
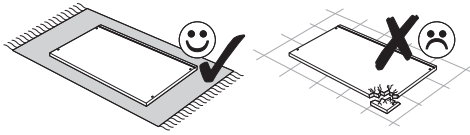
11 ▶



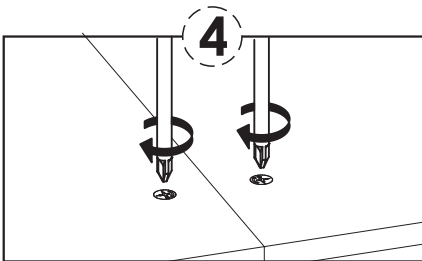
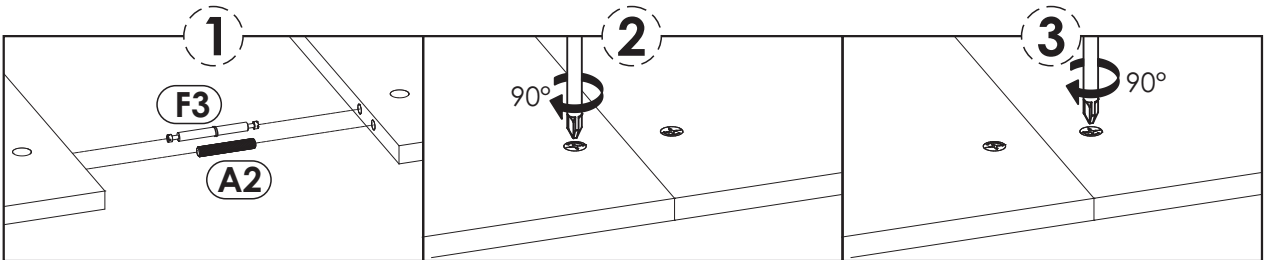
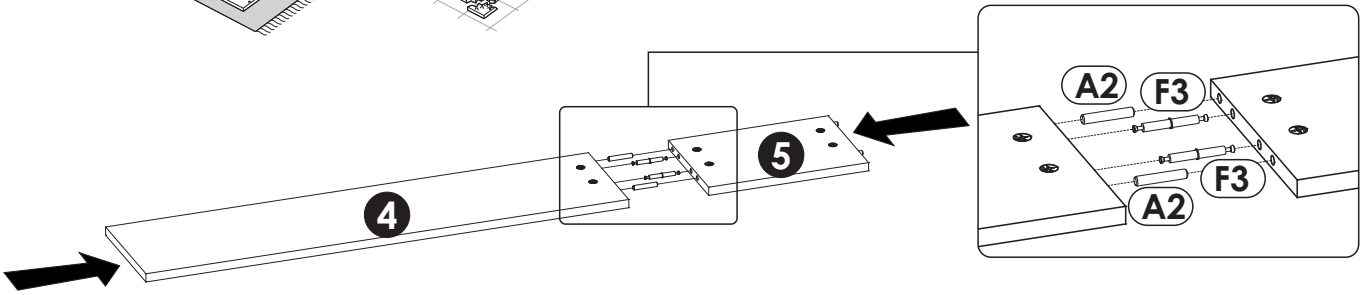
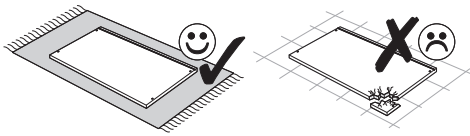
12 ▶



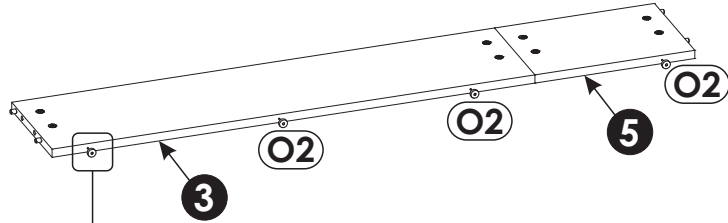
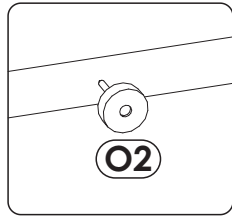
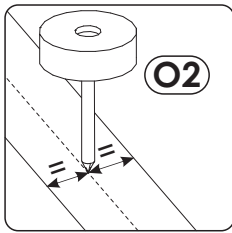
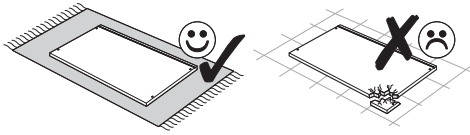
13▶



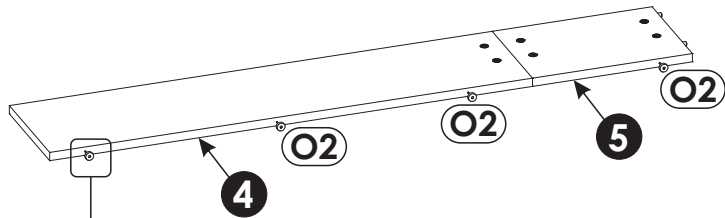
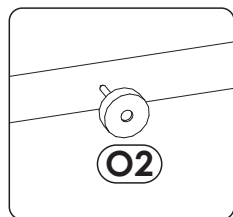
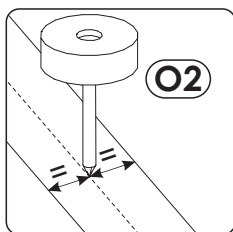
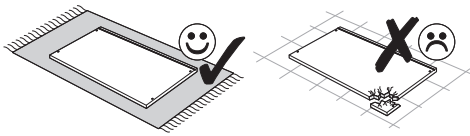
14▶



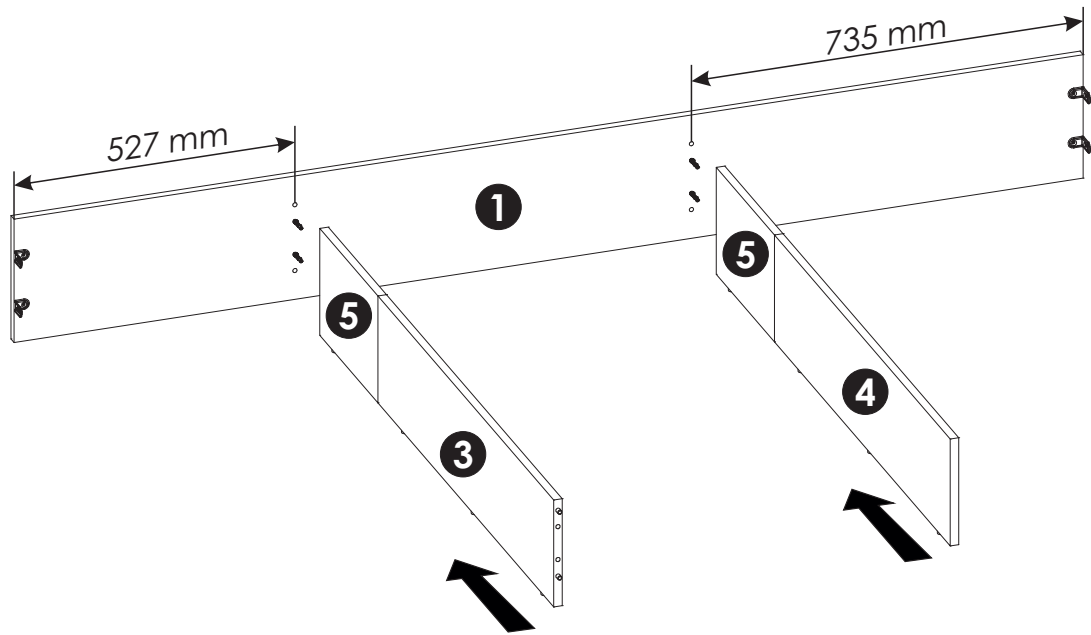
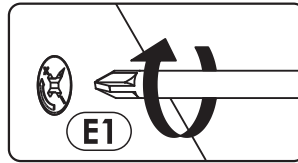
15▶



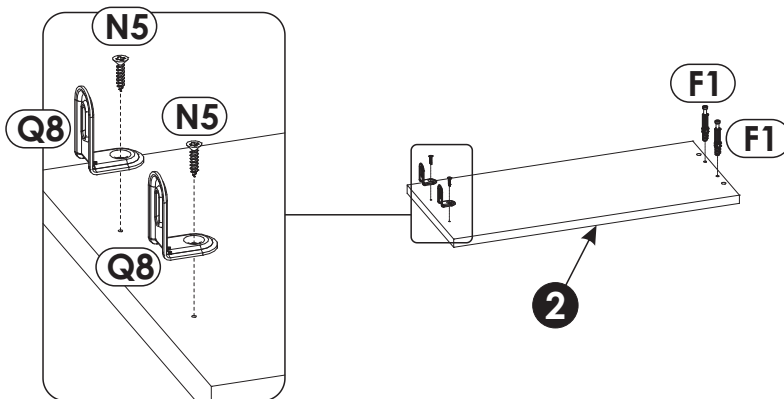
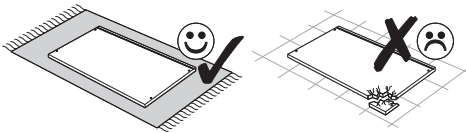
16▶



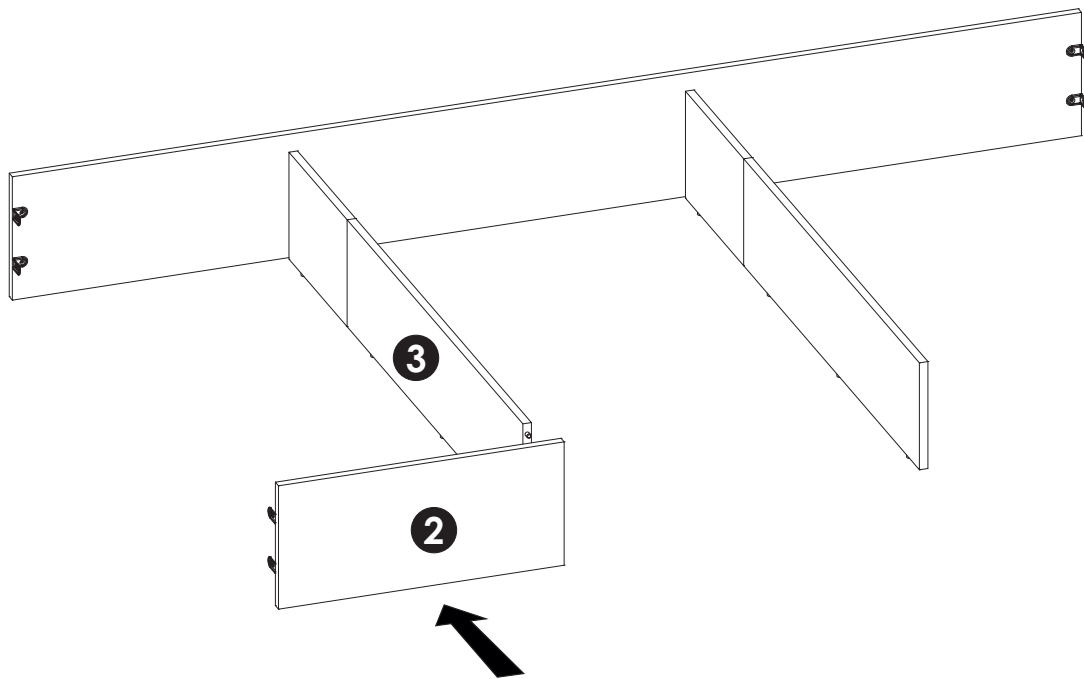
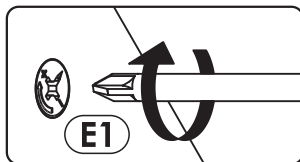
17▶



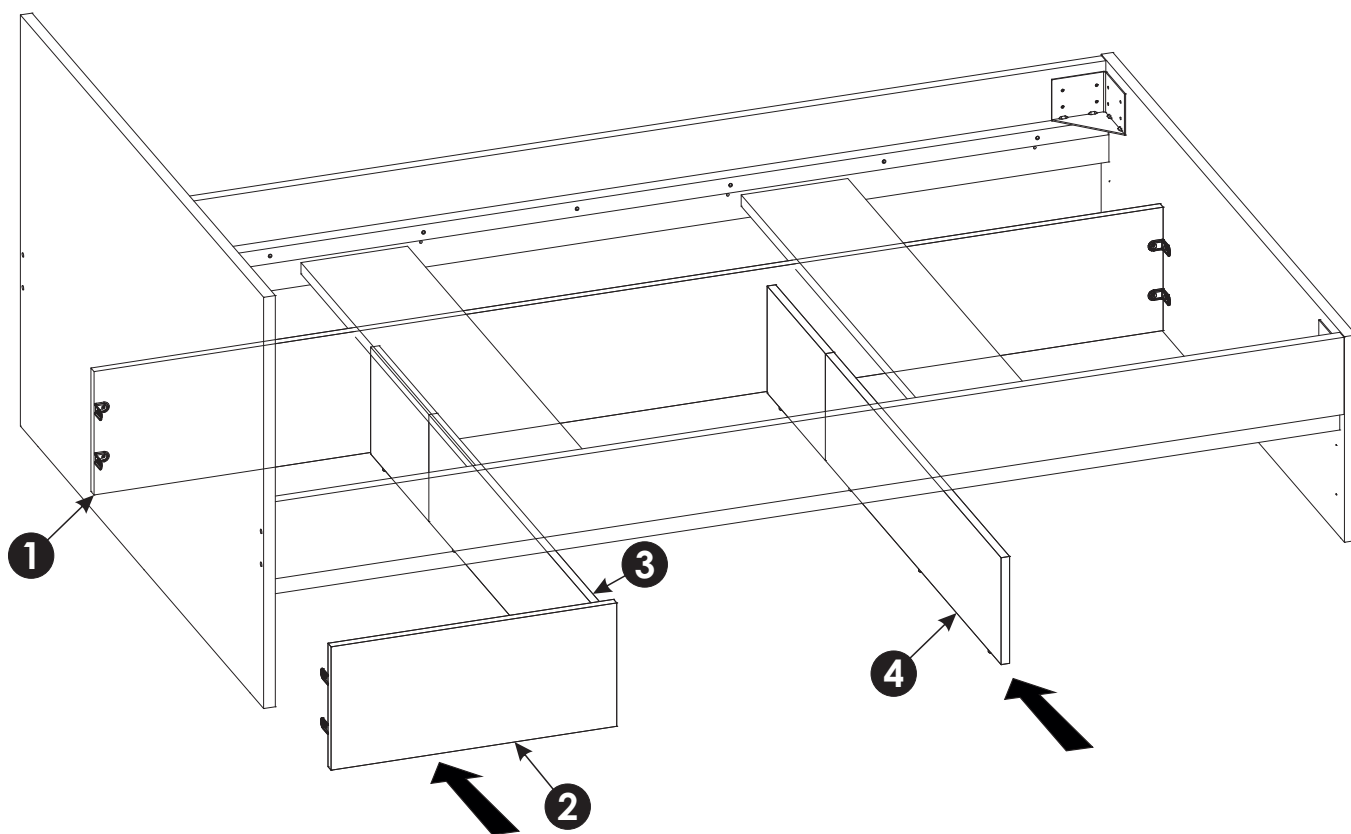
18▶



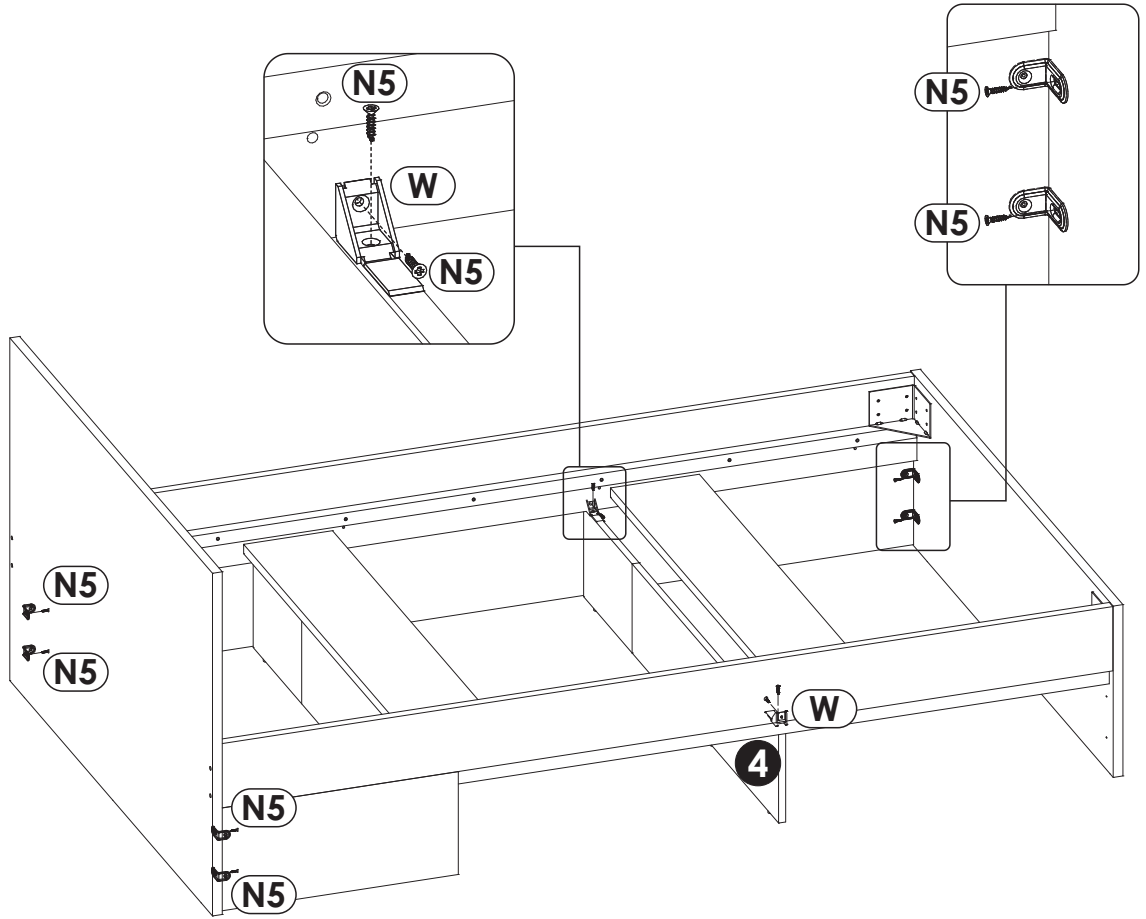
19▶



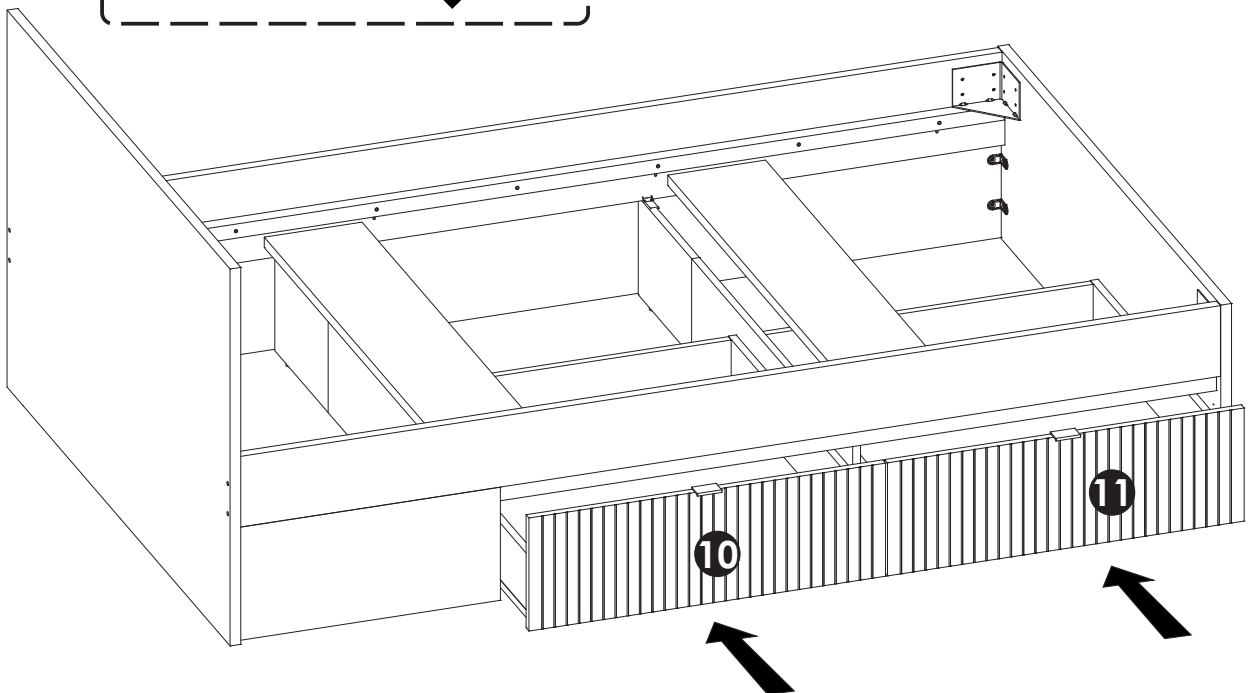
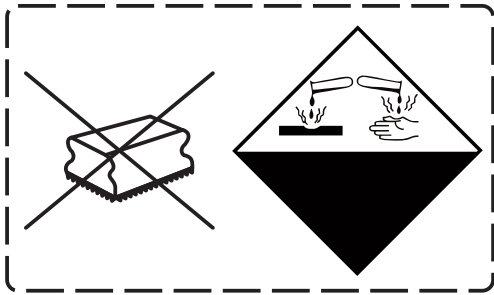
20▶



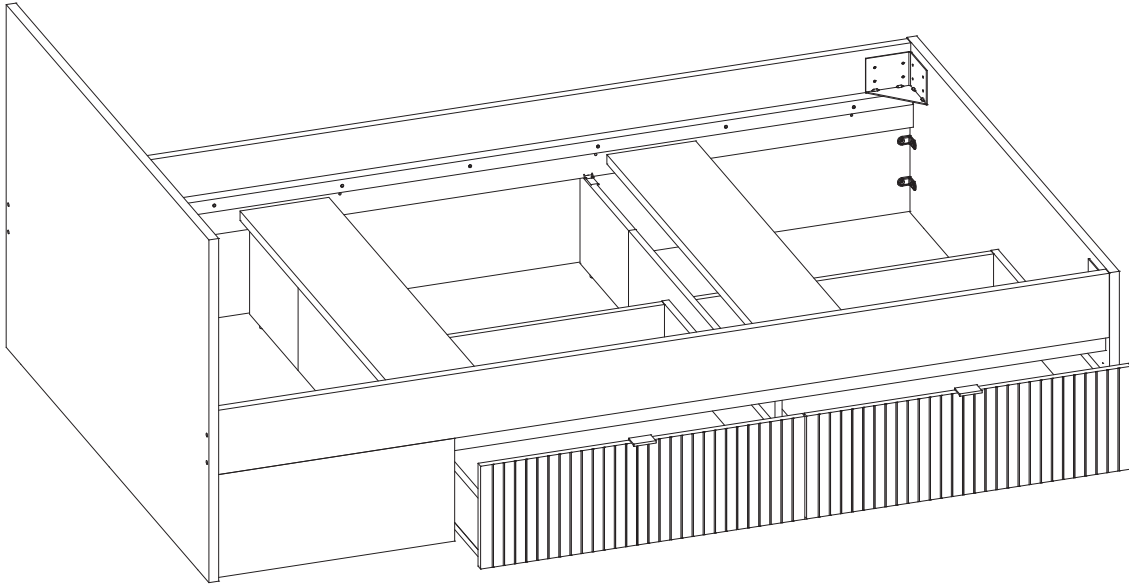
21 ▶



22 ▶

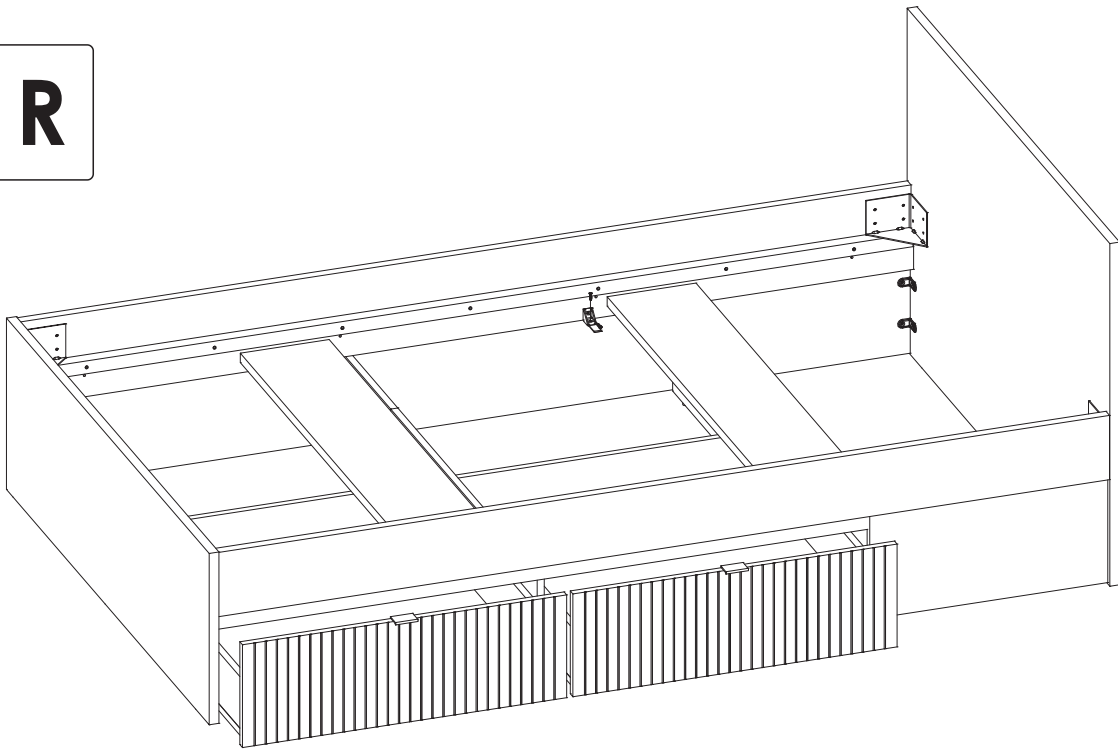


L



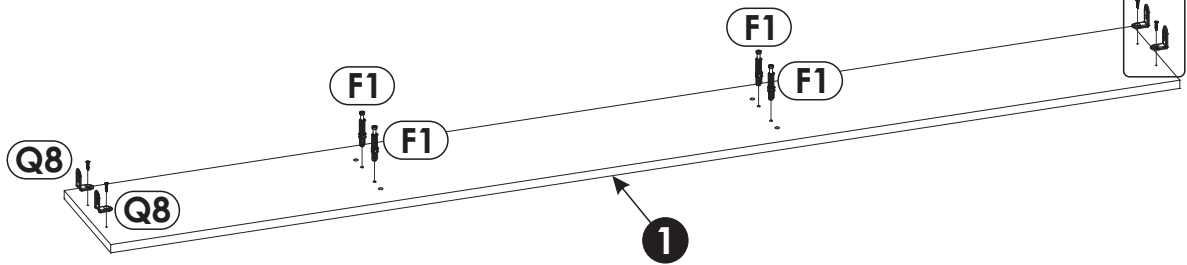
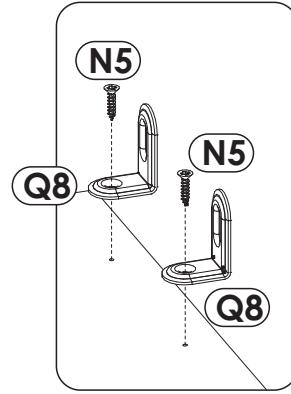
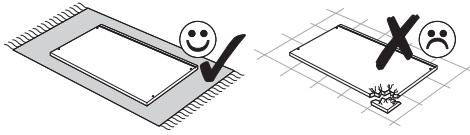
25-31

R

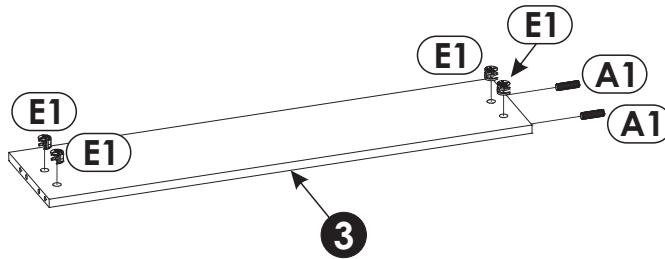
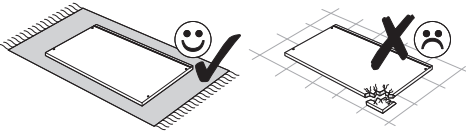


32-40

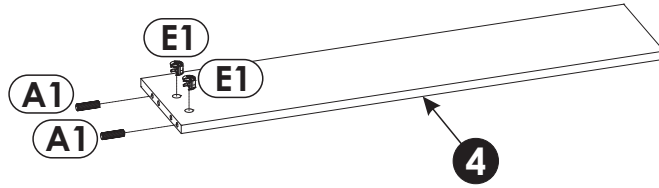
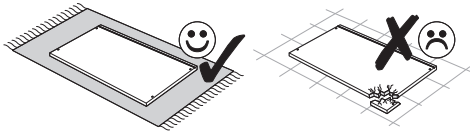
9 ▶



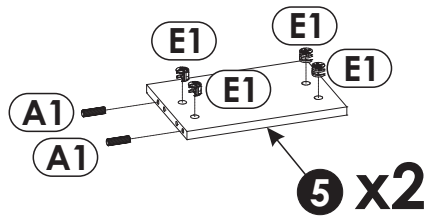
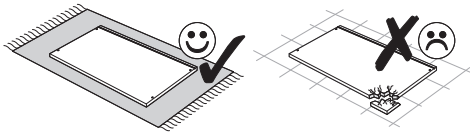
10 ▶



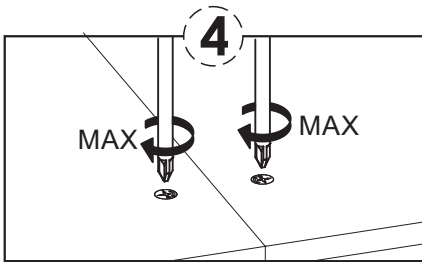
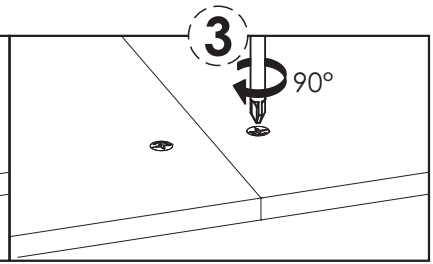
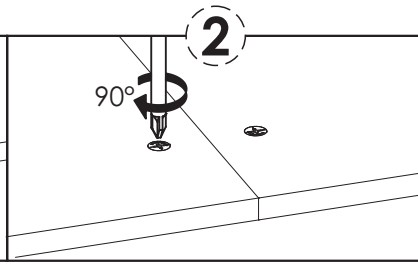
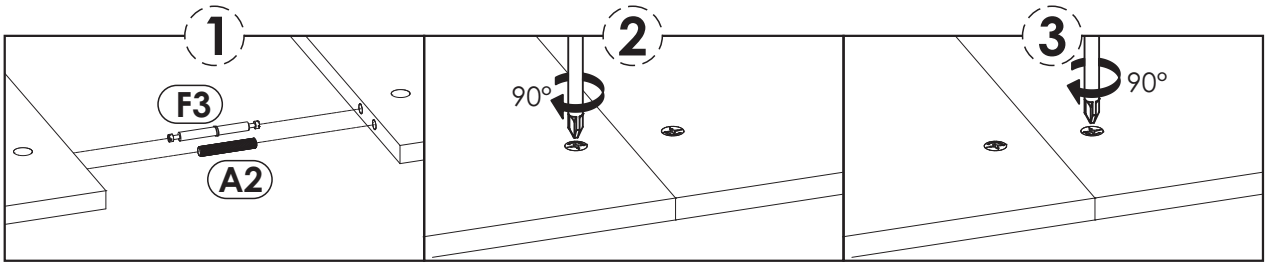
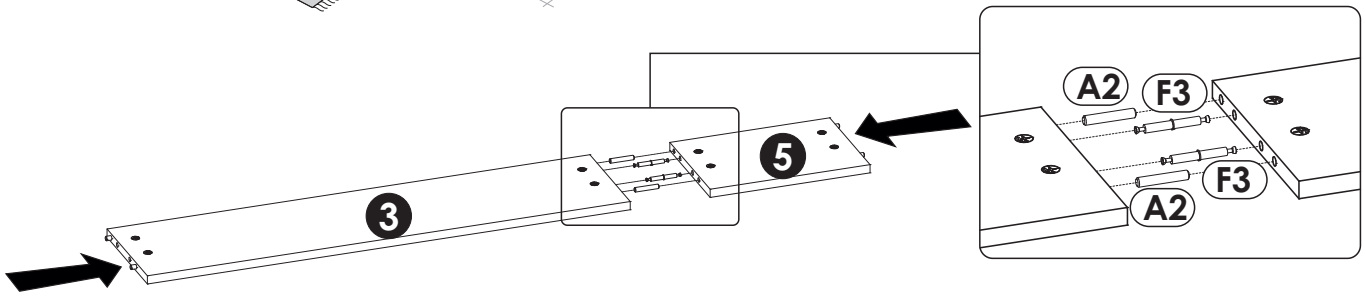
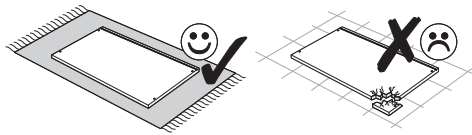
11 ▶



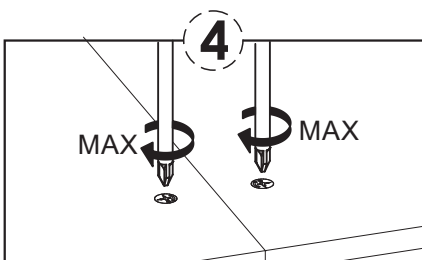
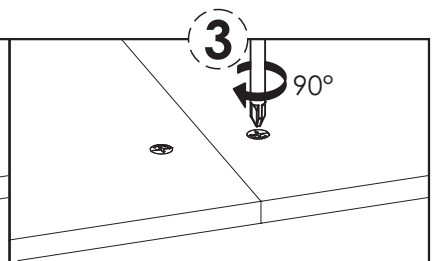
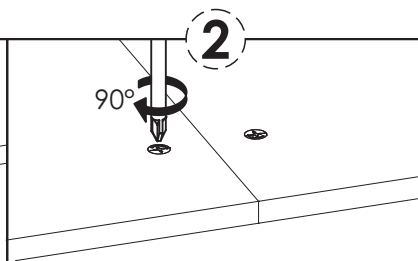
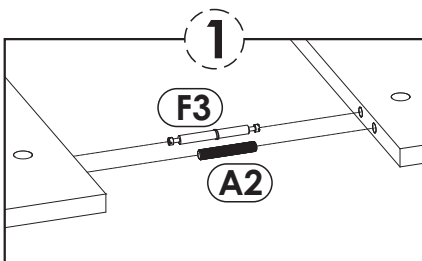
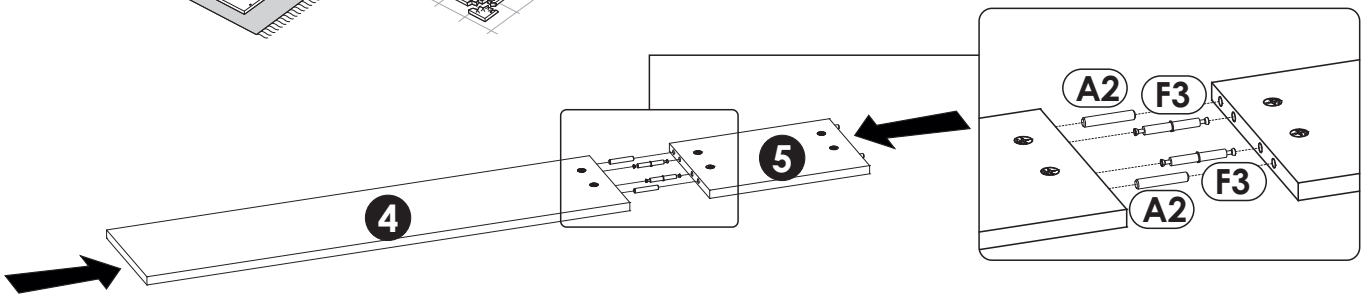
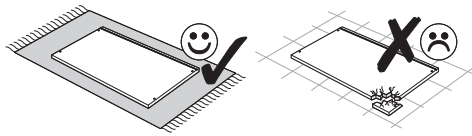
12 ▶



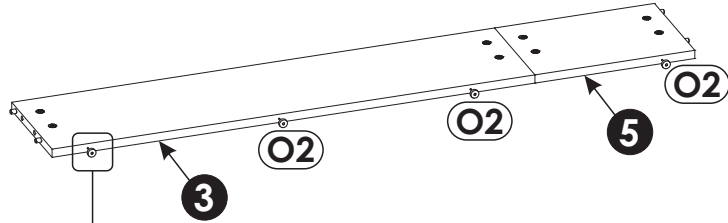
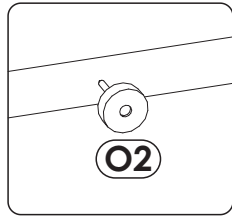
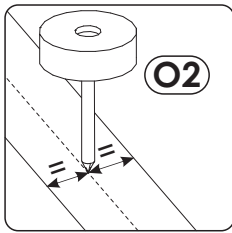
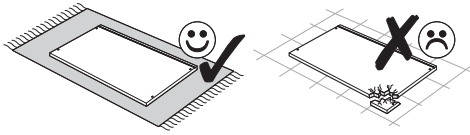
13▶



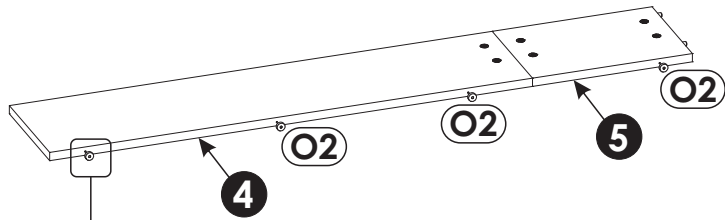
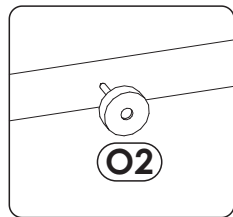
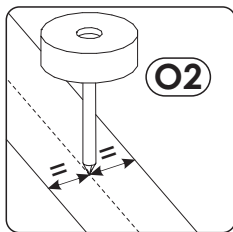
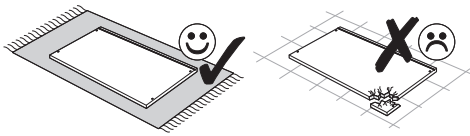
14▶



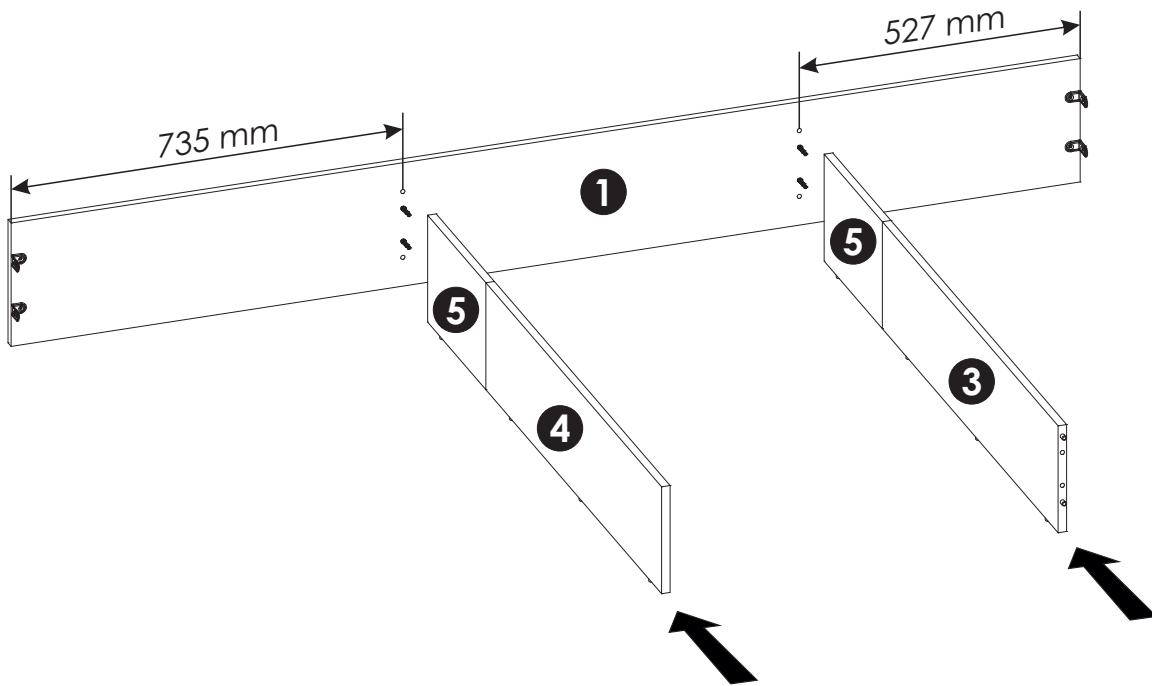
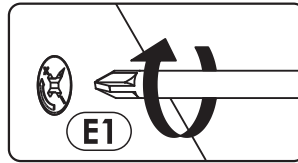
15 ▶



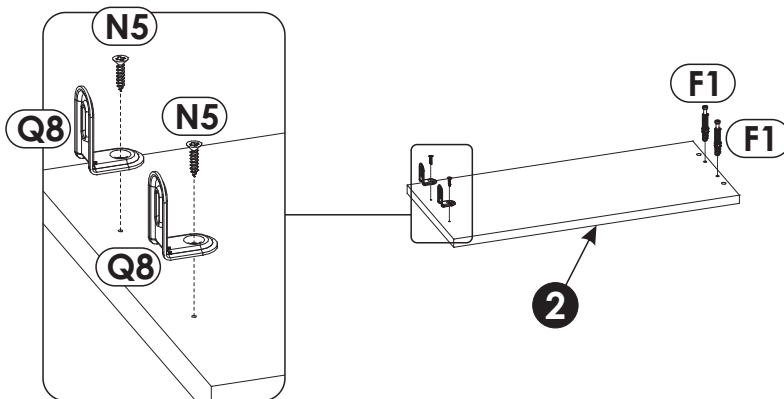
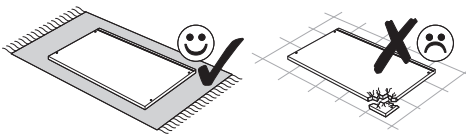
16 ▶



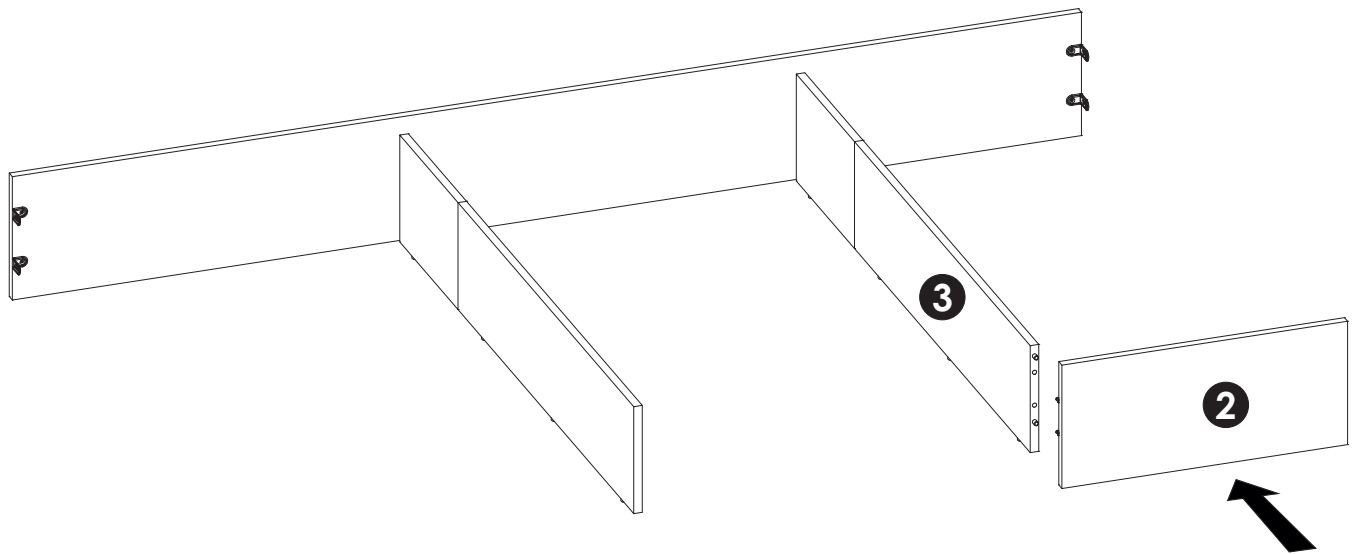
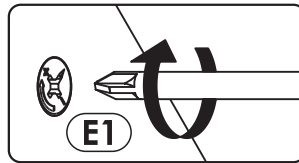
17▶



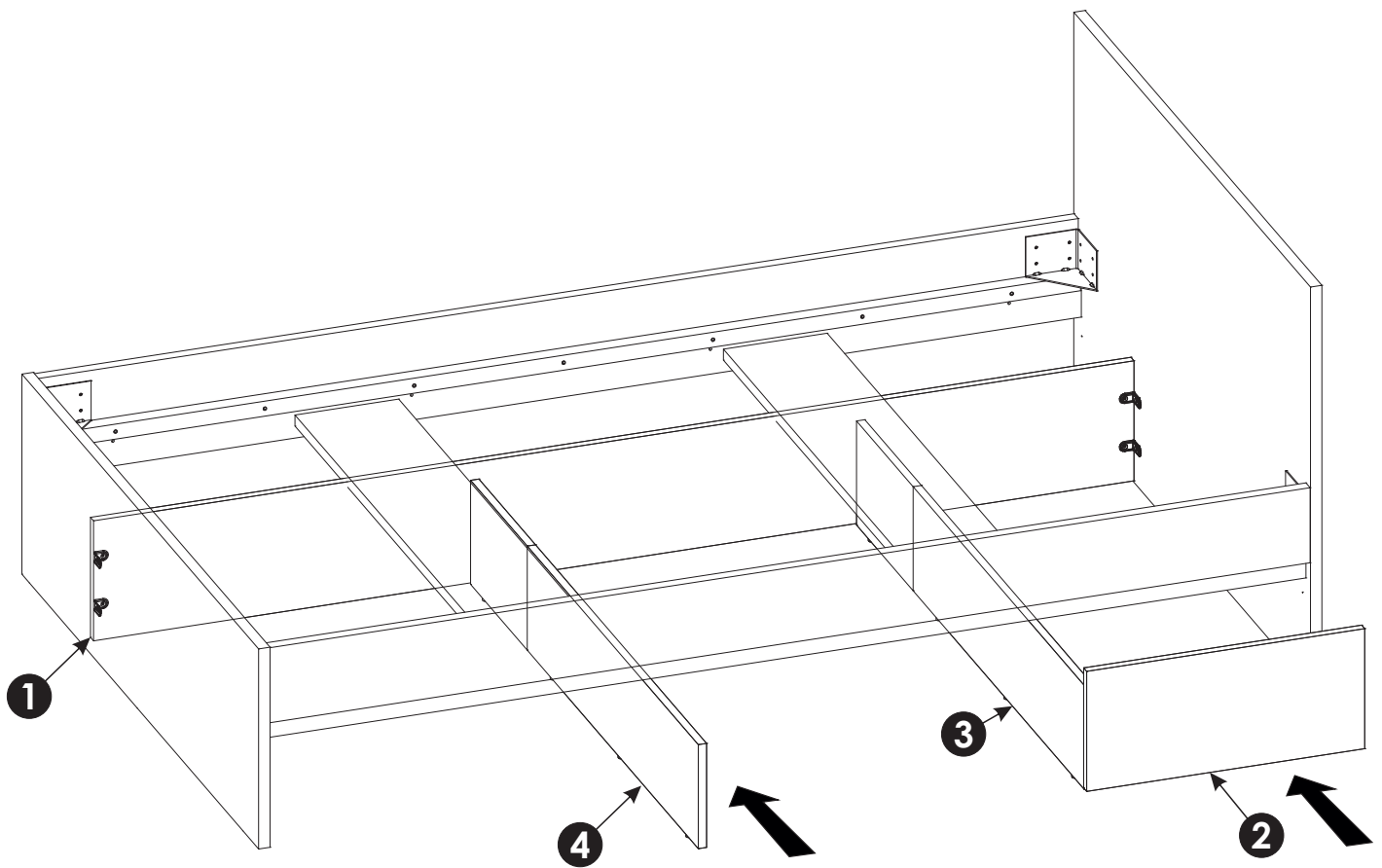
18▶



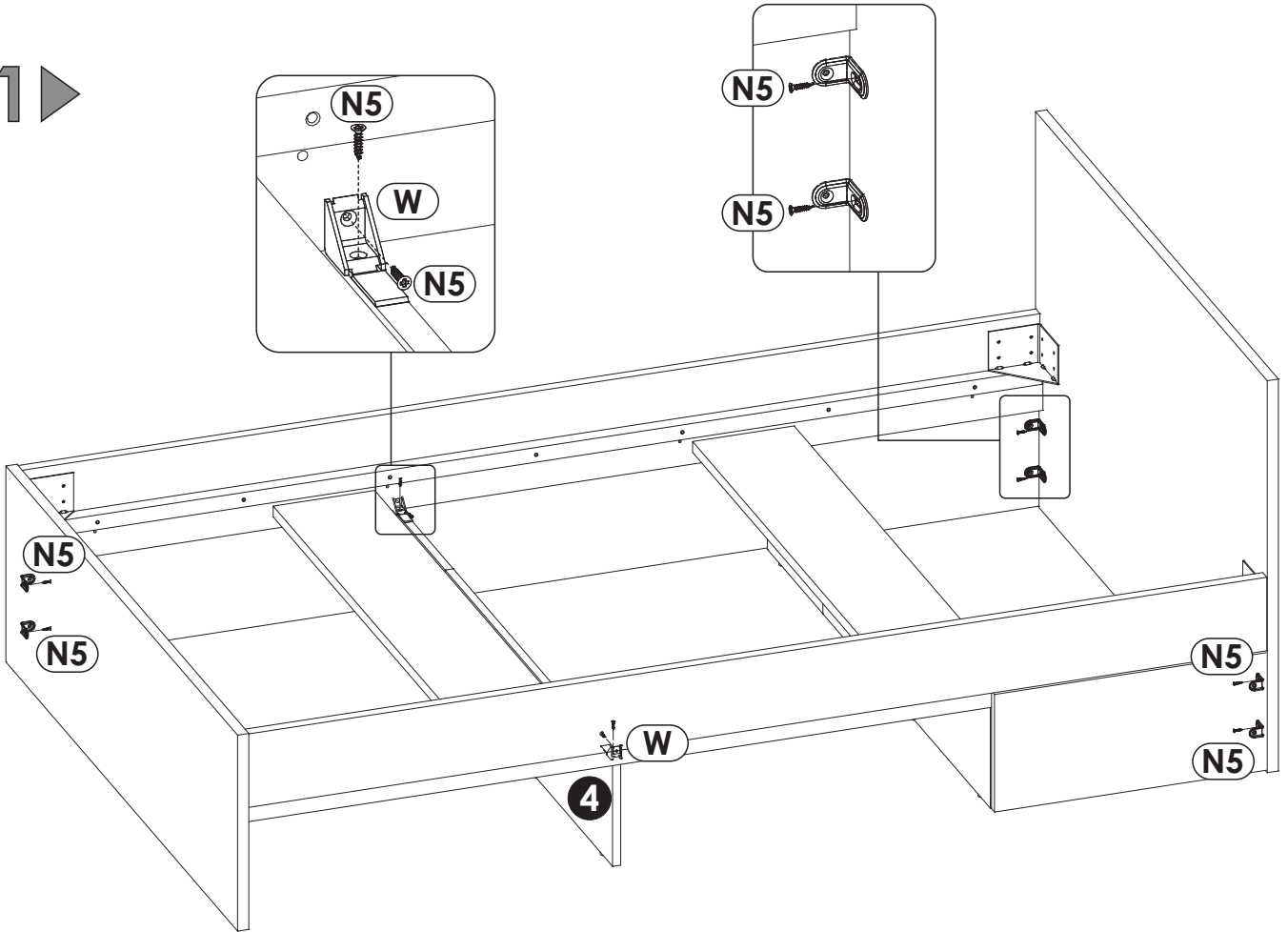
19▶



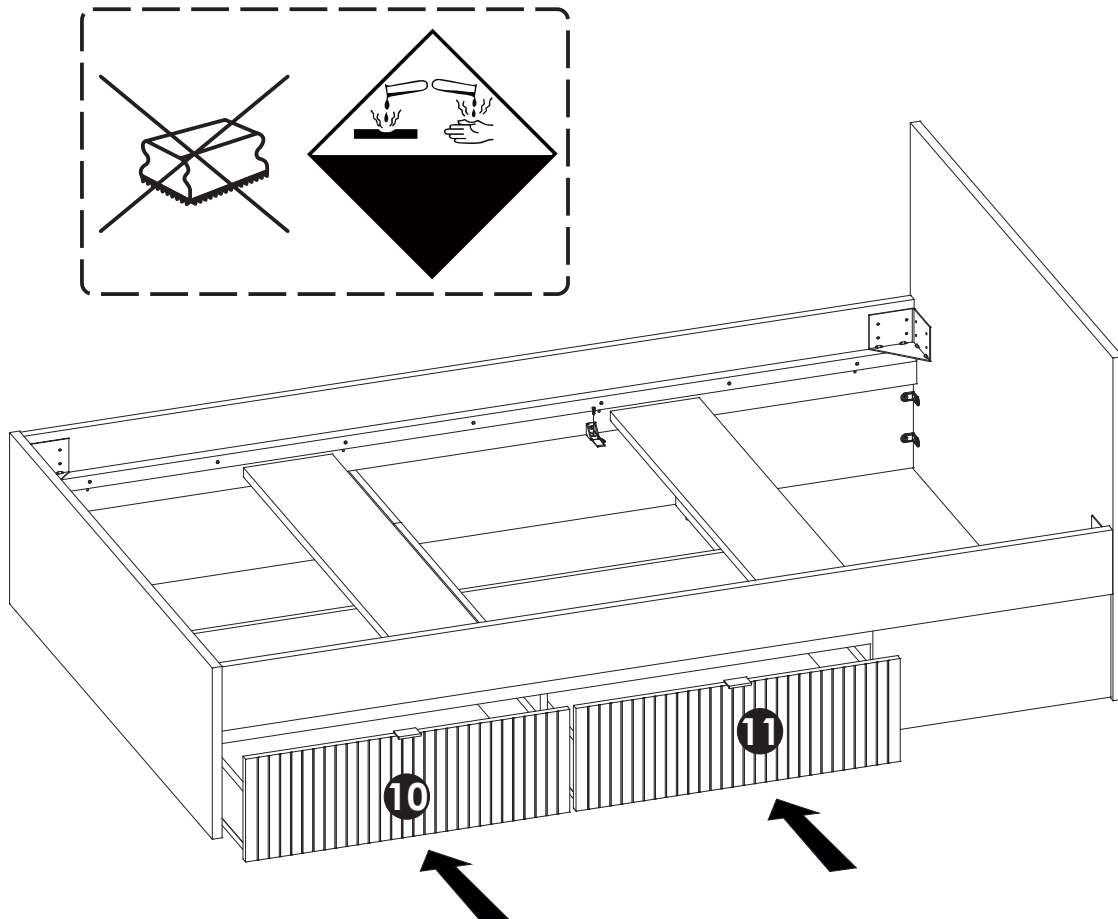
20▶

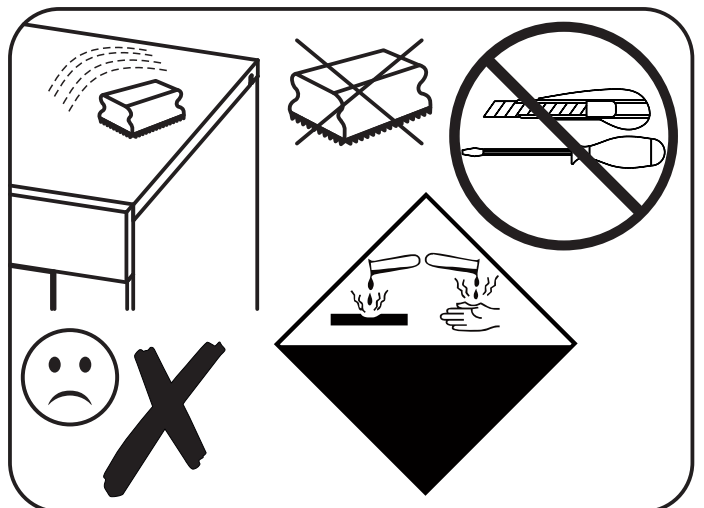
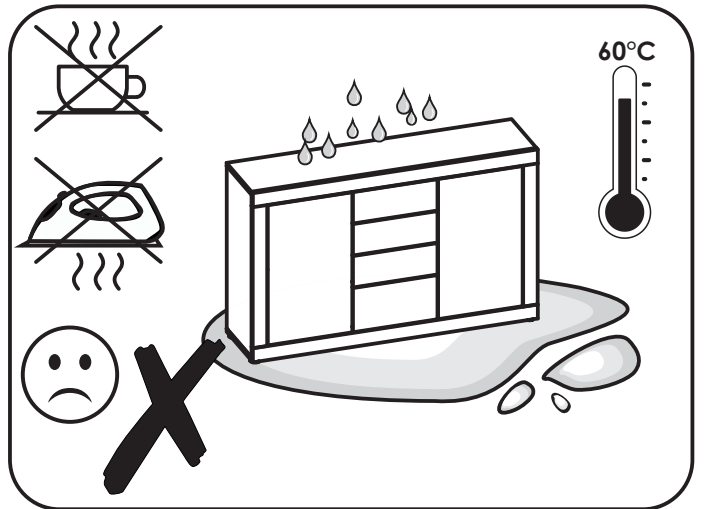
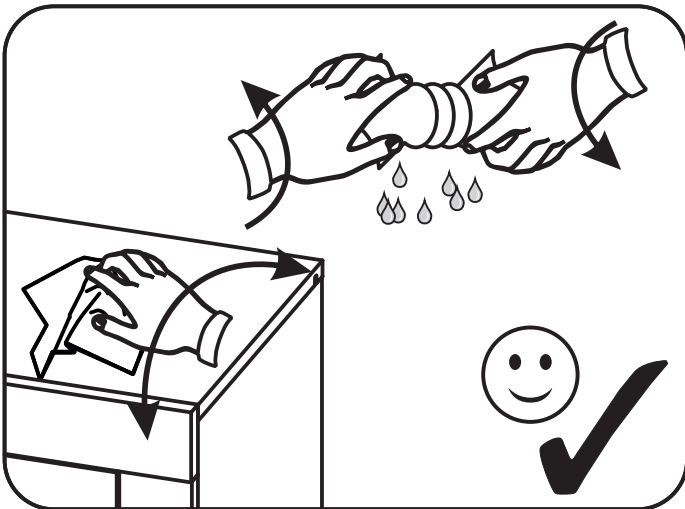
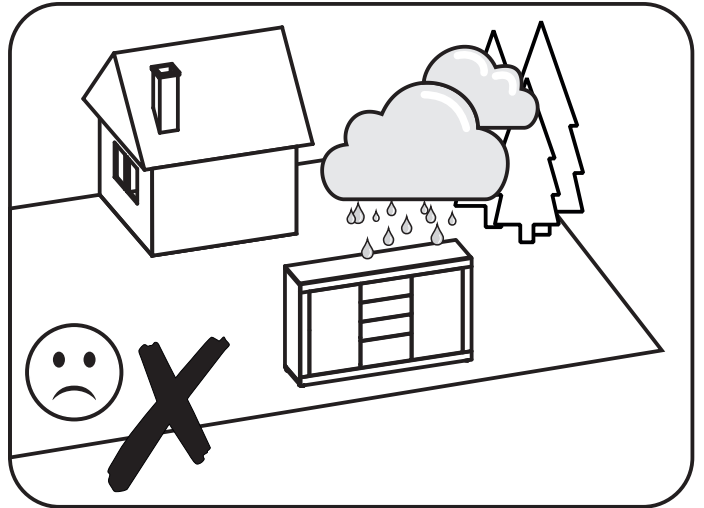
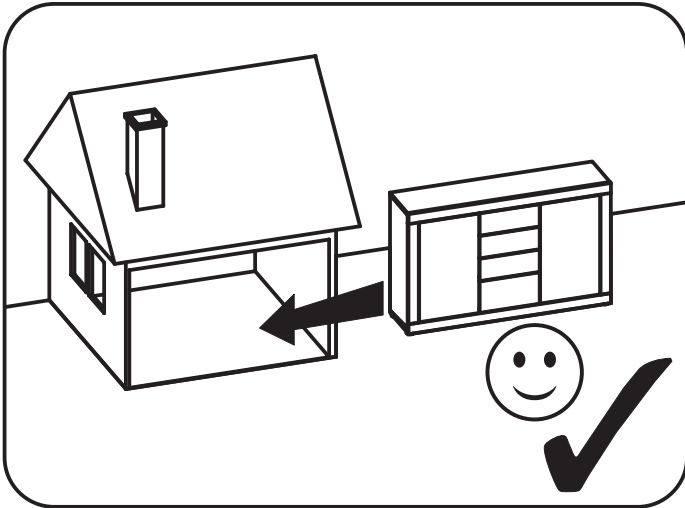


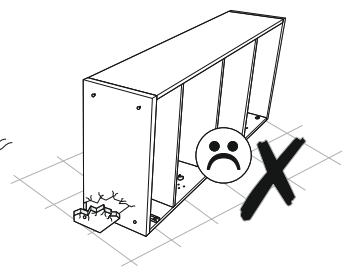
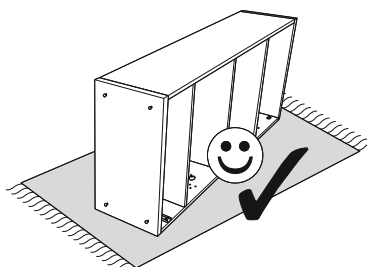
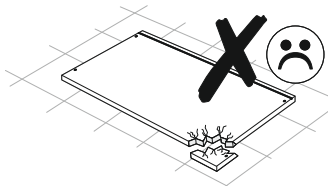
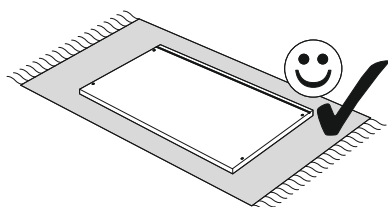
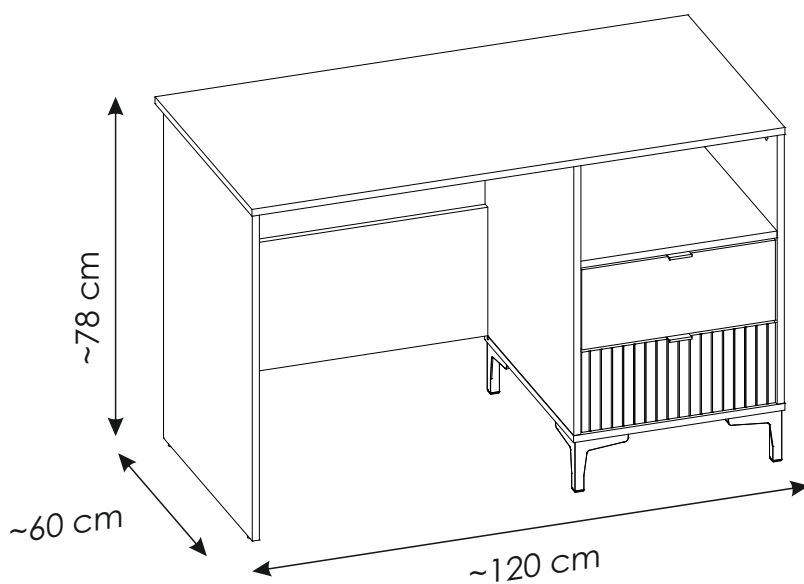
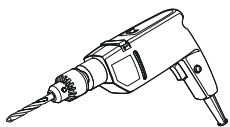
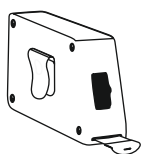
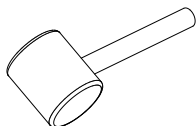
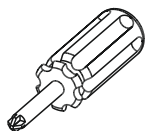
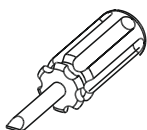
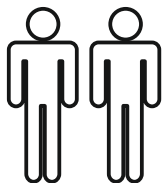
21 ▶

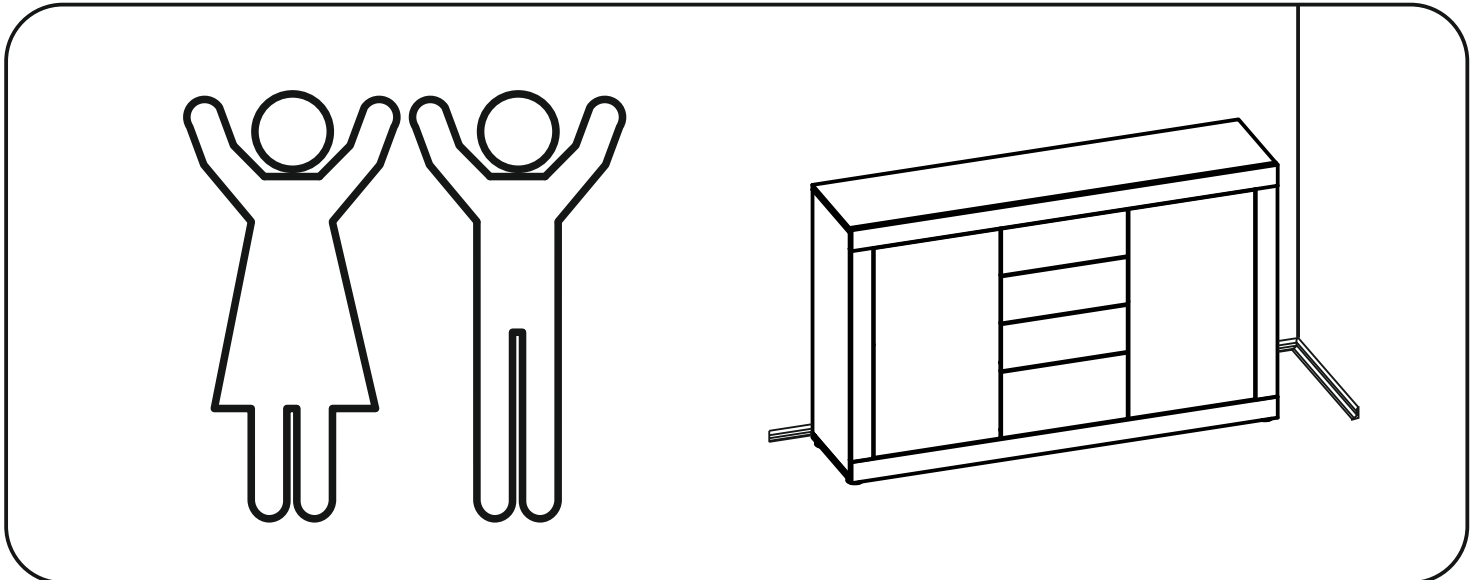
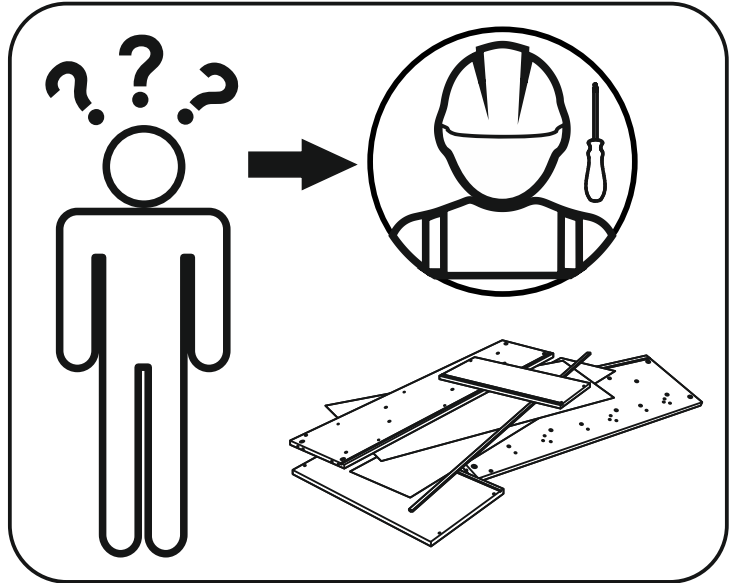
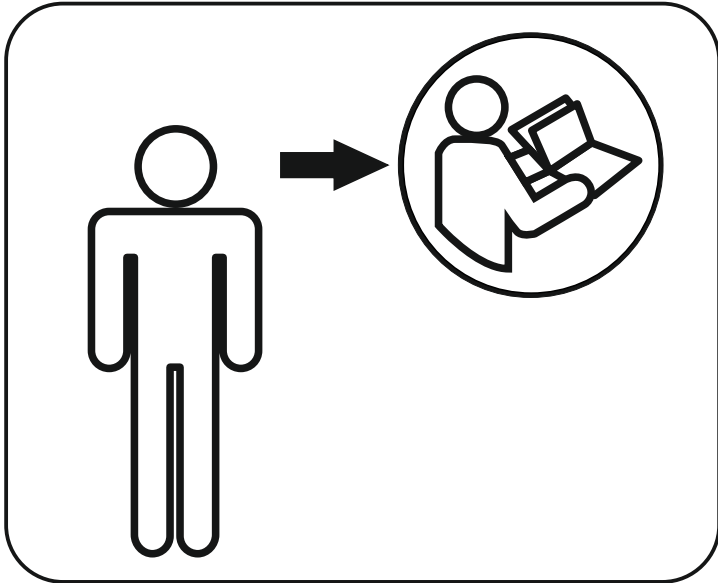
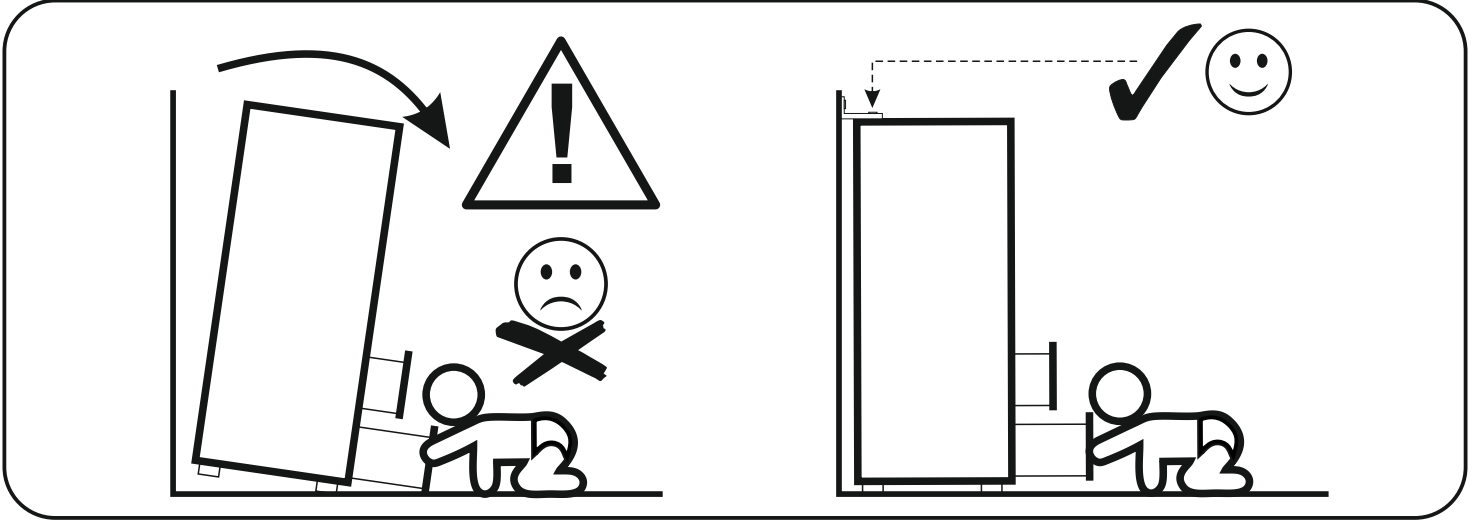
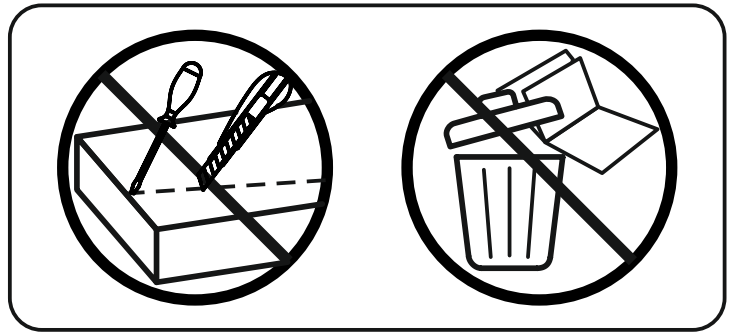
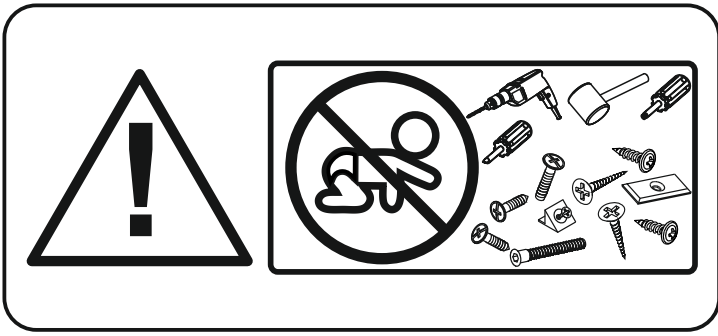


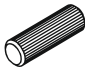
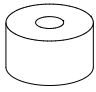
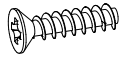
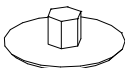

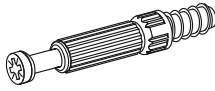
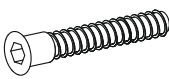
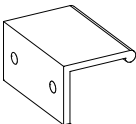
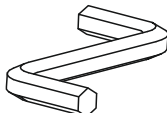




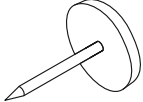
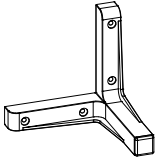
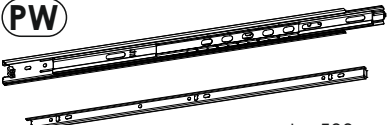
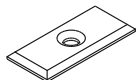
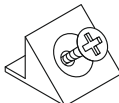
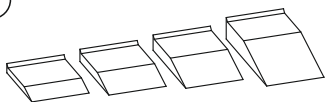
22 ▶

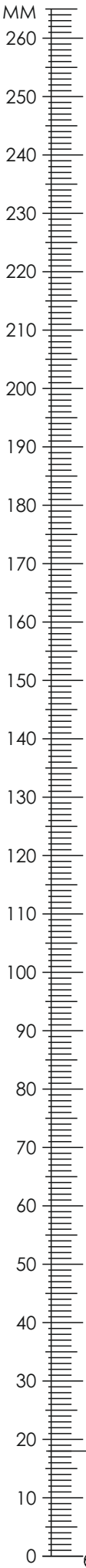


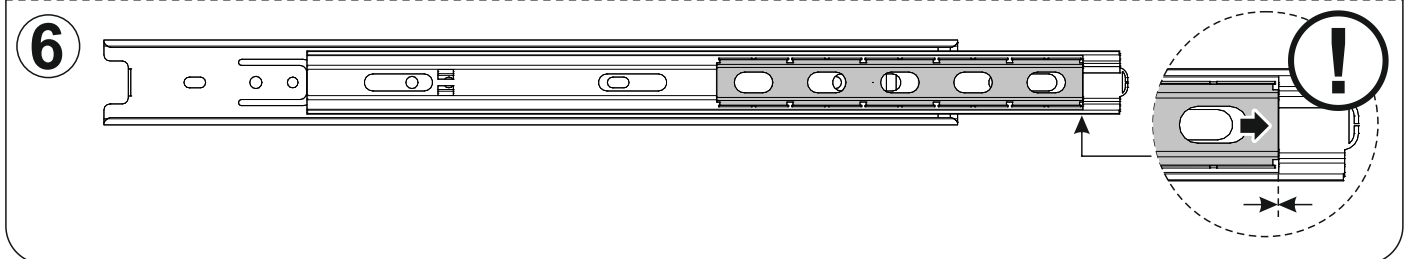
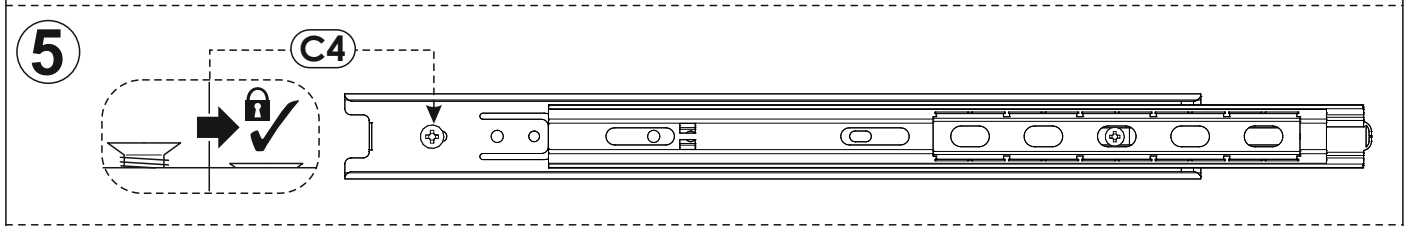
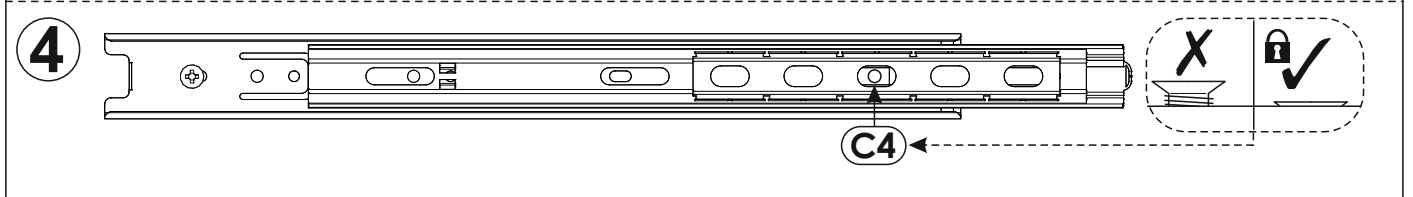
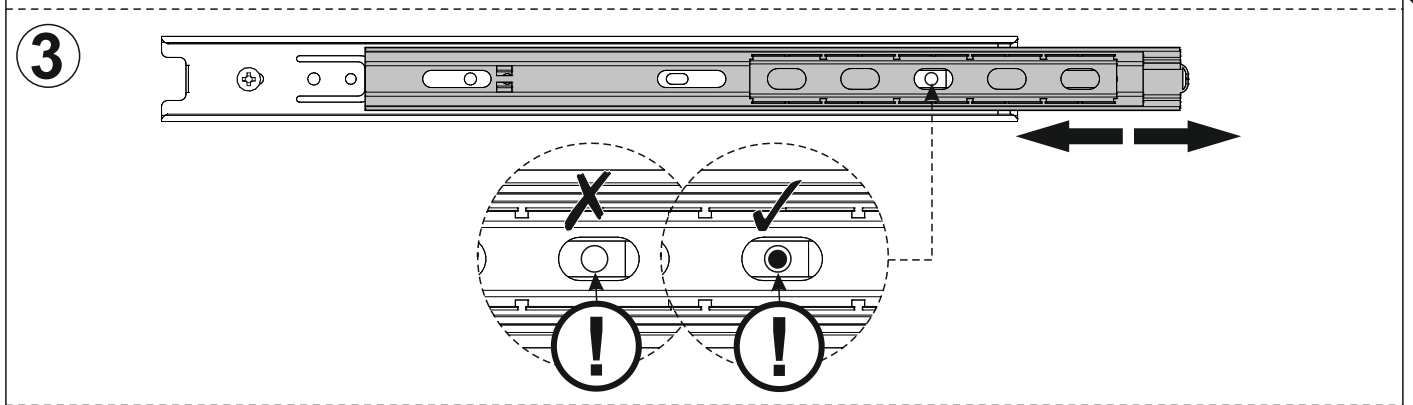
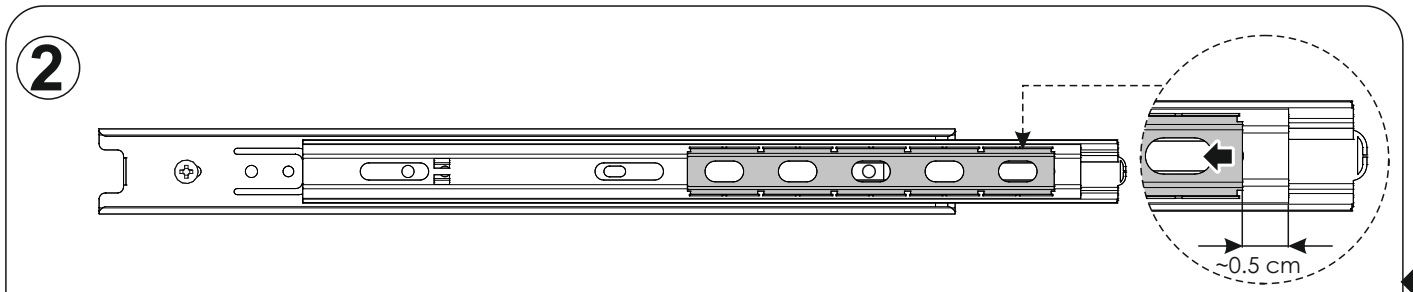
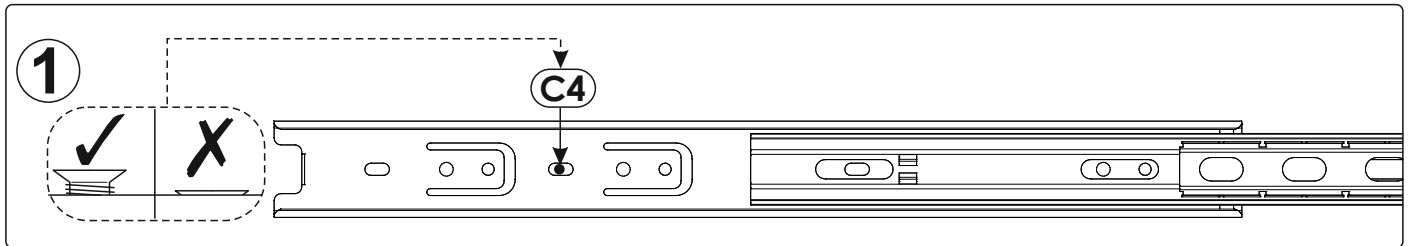
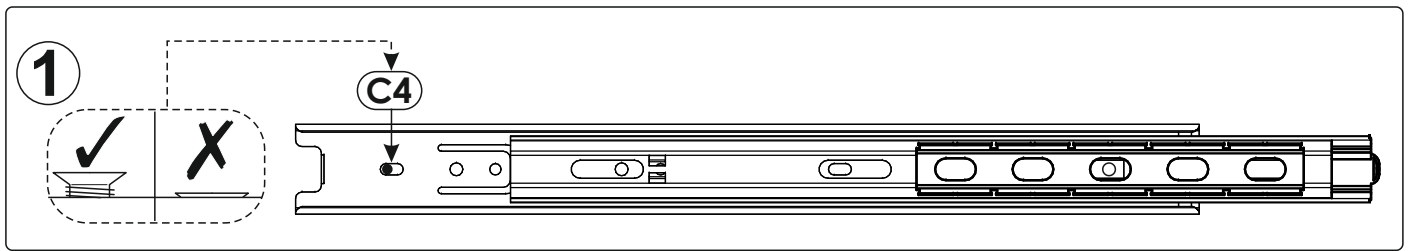


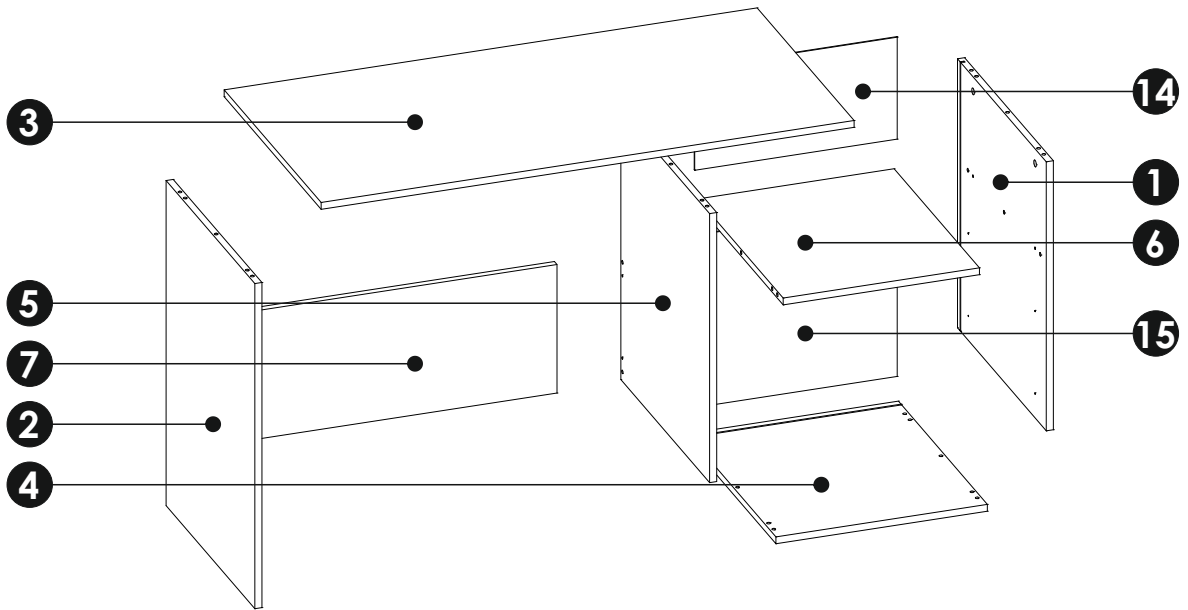
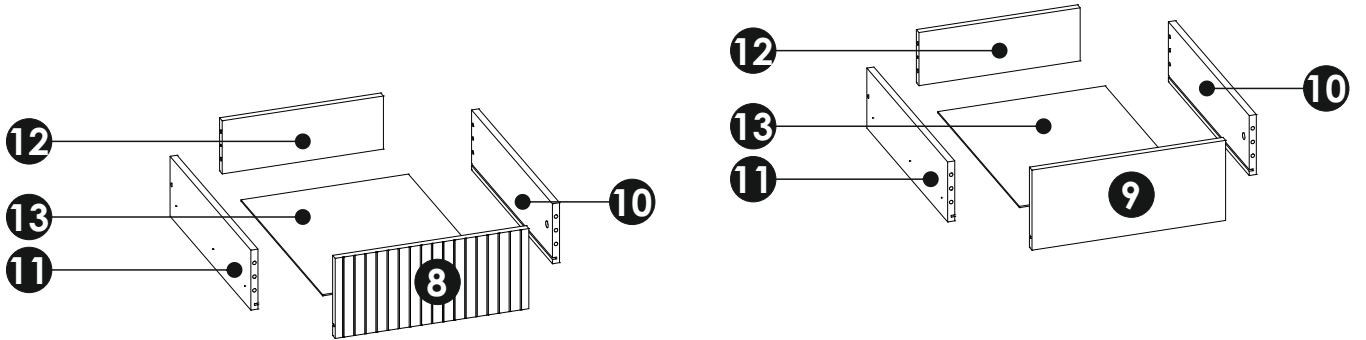
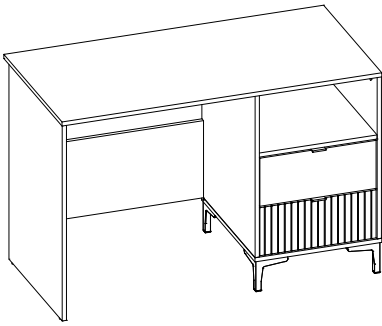




A1 8 x 35 mm x41 	BD H - 11 mm x8 	C4 5 x 20 mm x8 
E0 Ø16 x14 	E1 15 x 12 mm x18 	F1 6 x 34 mm x18 
G1 7 x 50 mm x8 	H1 L - 50 mm x2 	M x1 
N1 3 x 16 mm x15 	N4 3,5 x 13 mm x4 	N5 3,5 x 16 mm x12 
N7 3,5 x 30 mm x16 	O2 x2 	O12 x4 
PW L - 500 mm x4 	R1 x3 	R4 x8 
Z x1 		

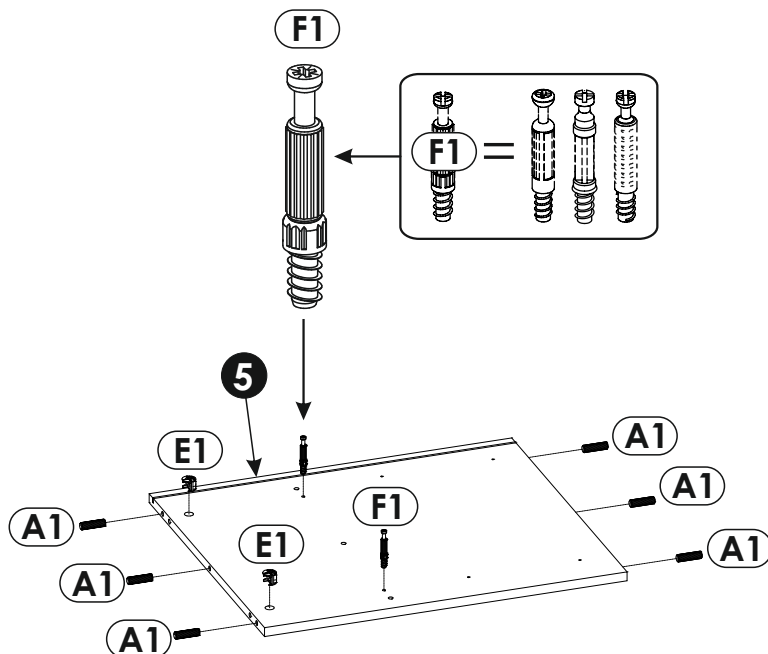
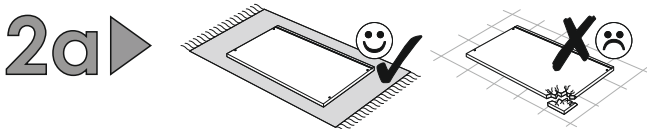
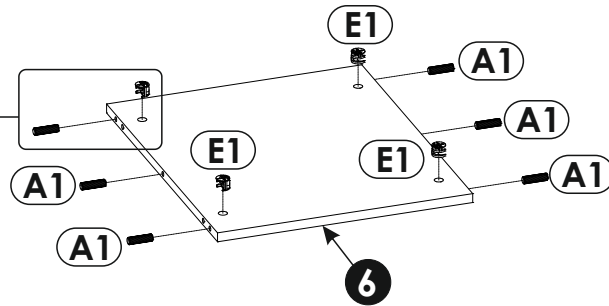
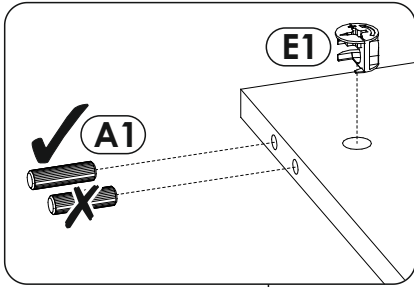
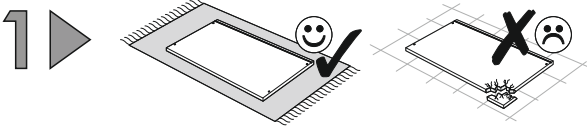
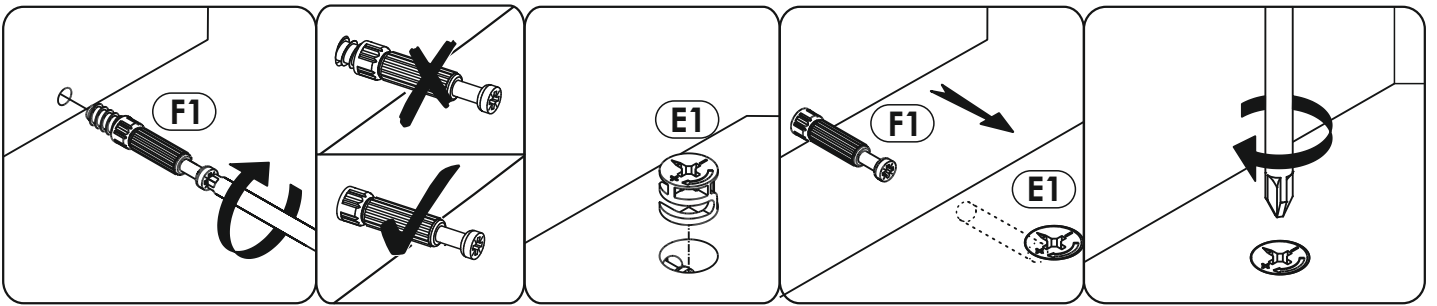


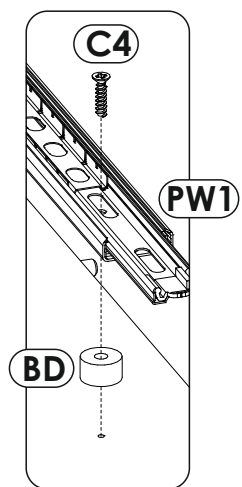
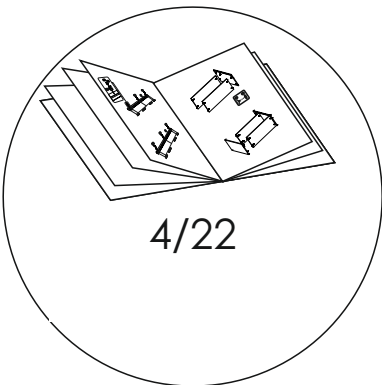
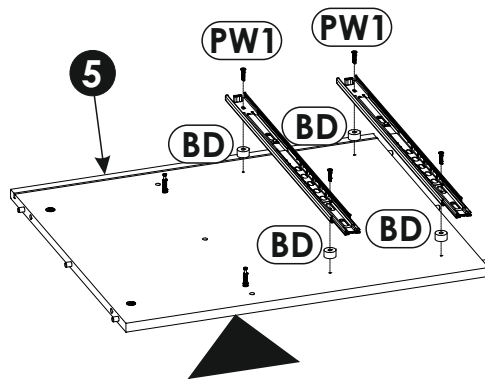
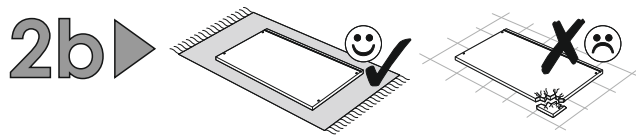
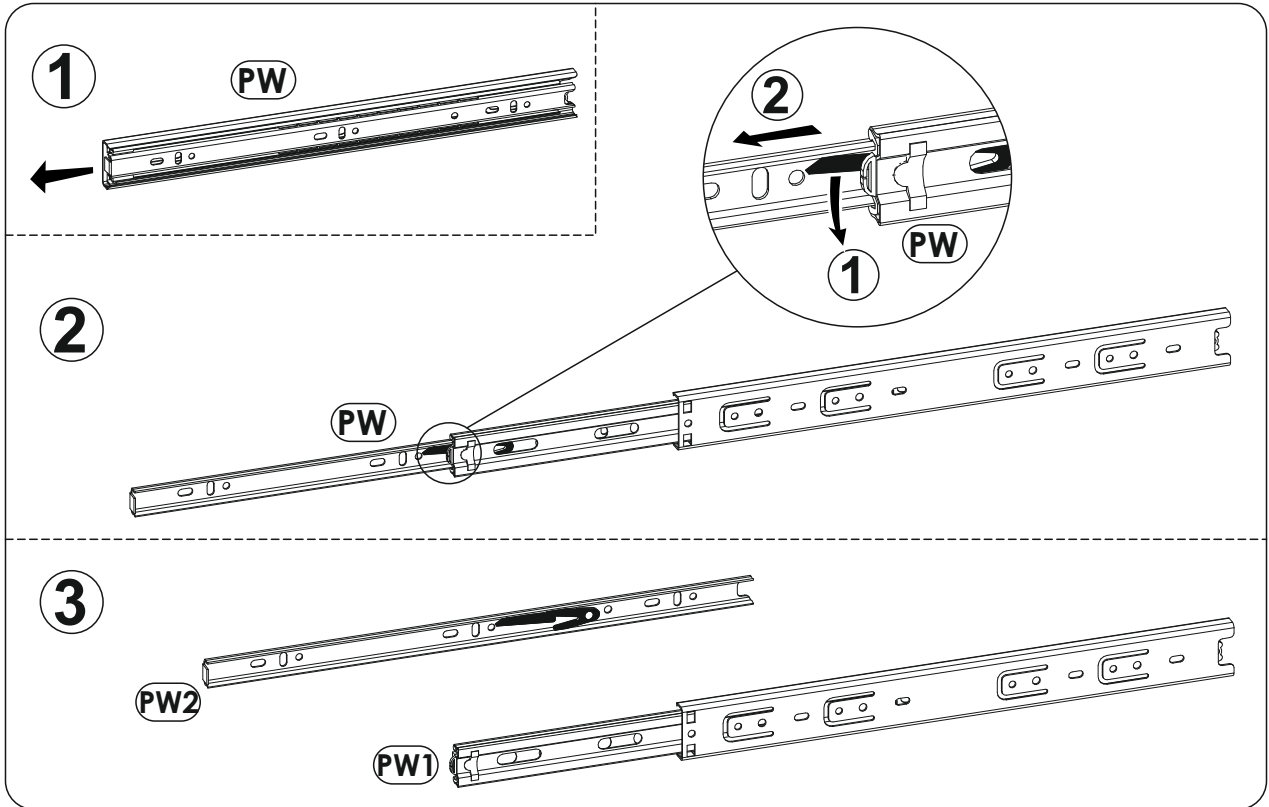


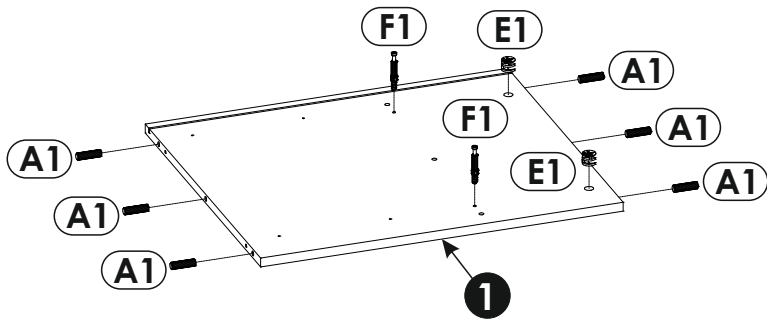
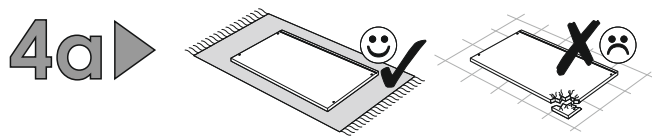
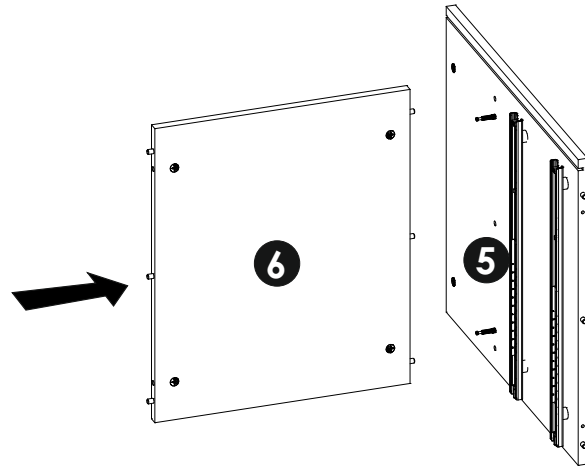
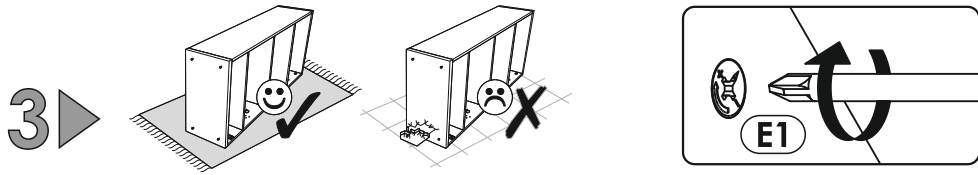


1	628	549	16	x1	2/2
2	759	549	16	x1	1/2
3	1200	600	16	x1	2/2
4	476	550	16	x1	1/2
5	628	549	16	x1	1/2
6	442	528	16	x1	2/2
7	708	300	16	x1	1/2
8	187	436	16	x1	1/2

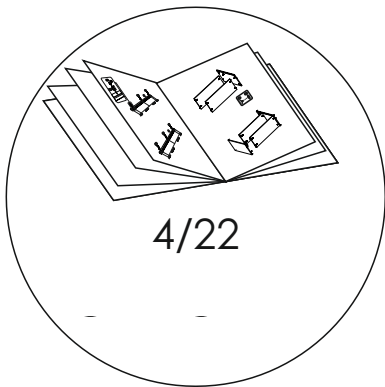
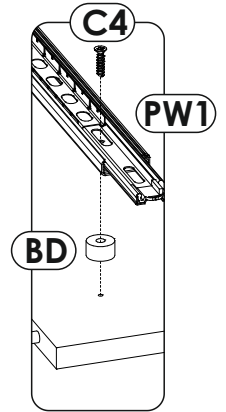
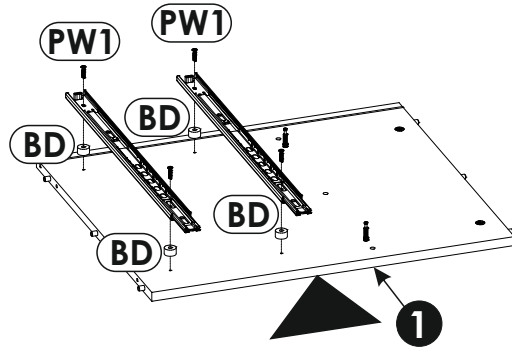
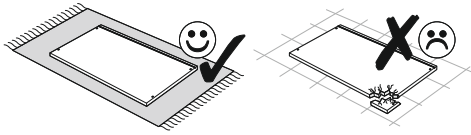
9	436	187	16	x1	1/2
10	500	140	16	x2	1/2
11	500	140	16	x2	1/2
12	363	124	16	x2	1/2
13	377	505	3	x2	1/2
14	238	456	3	x1	1/2
15	402	456	3	x1	1/2



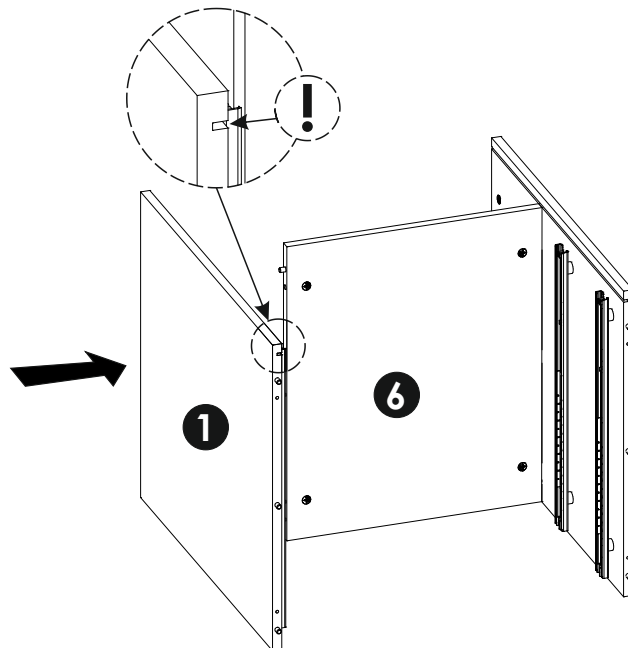
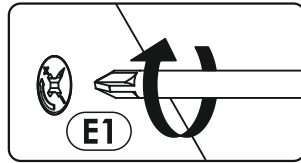
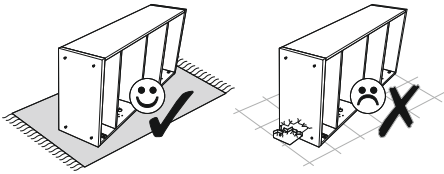


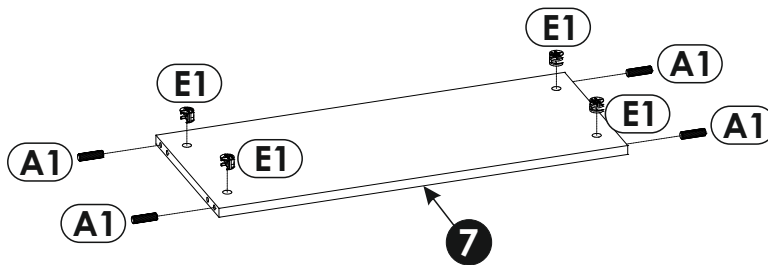
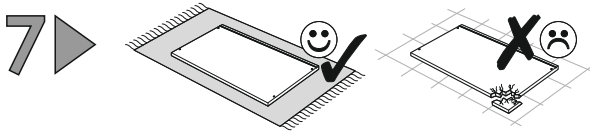
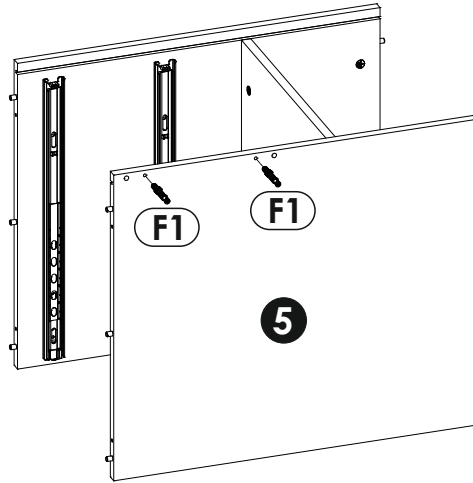
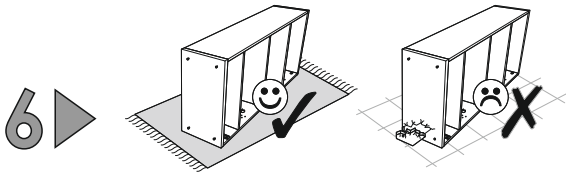


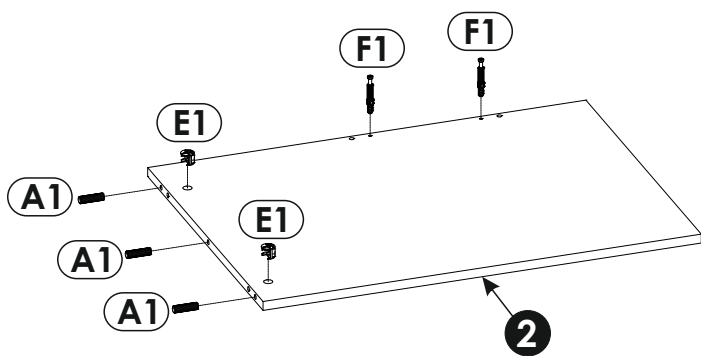
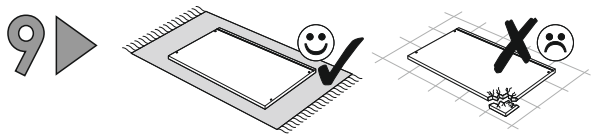
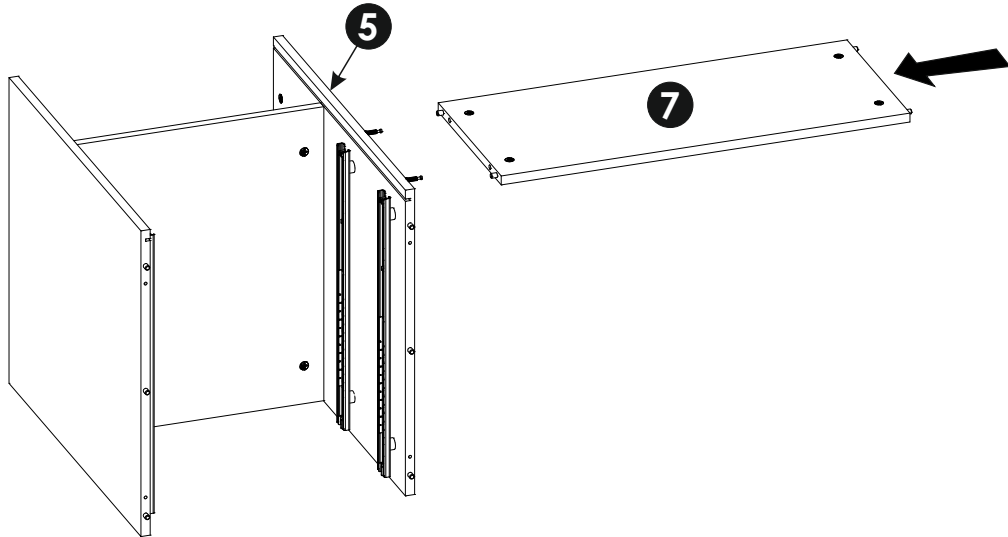
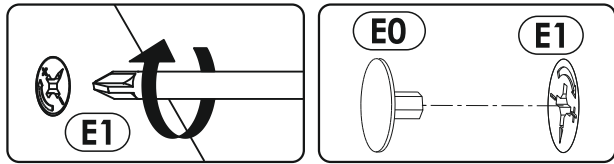
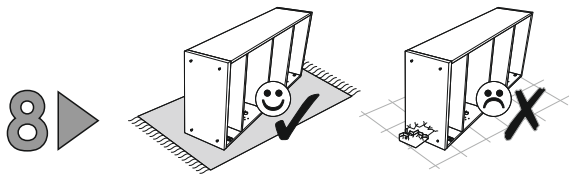
4b ▶

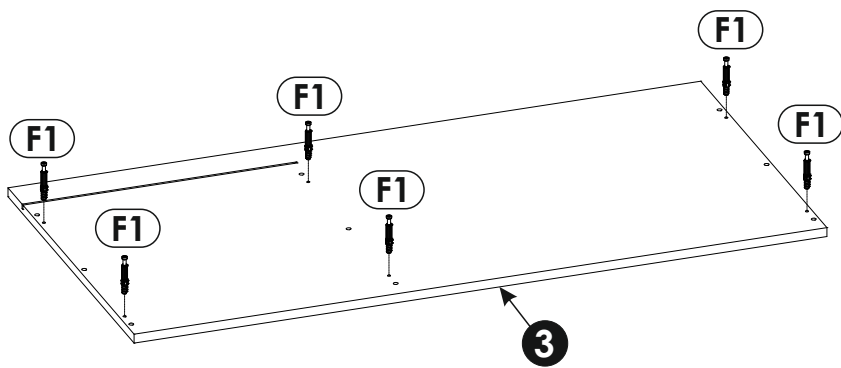
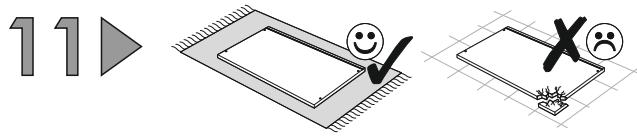
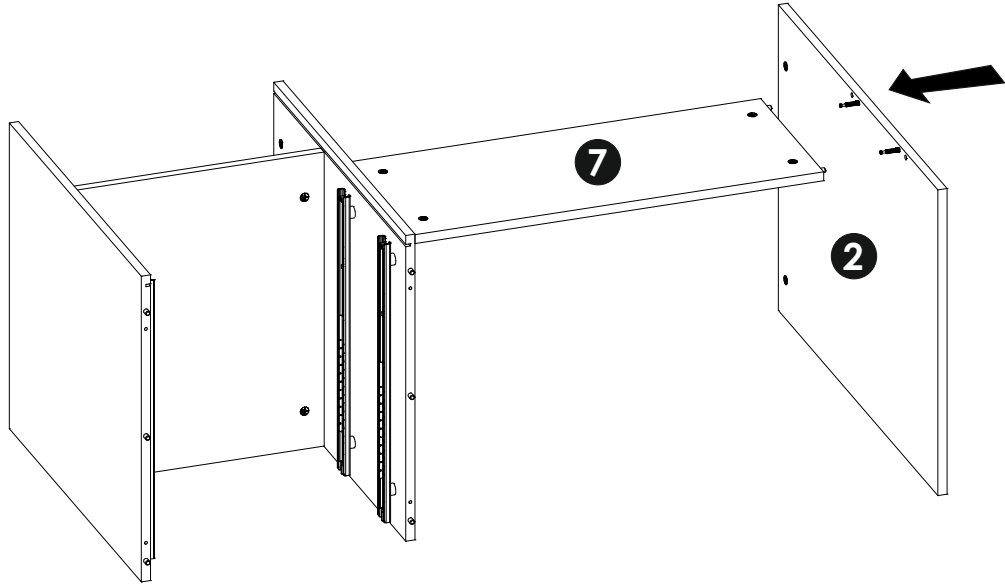
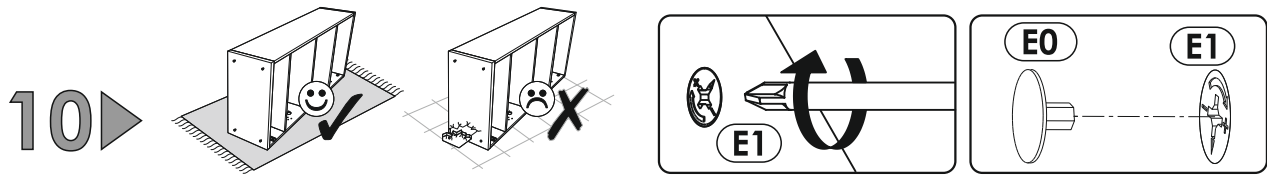


5 ▶

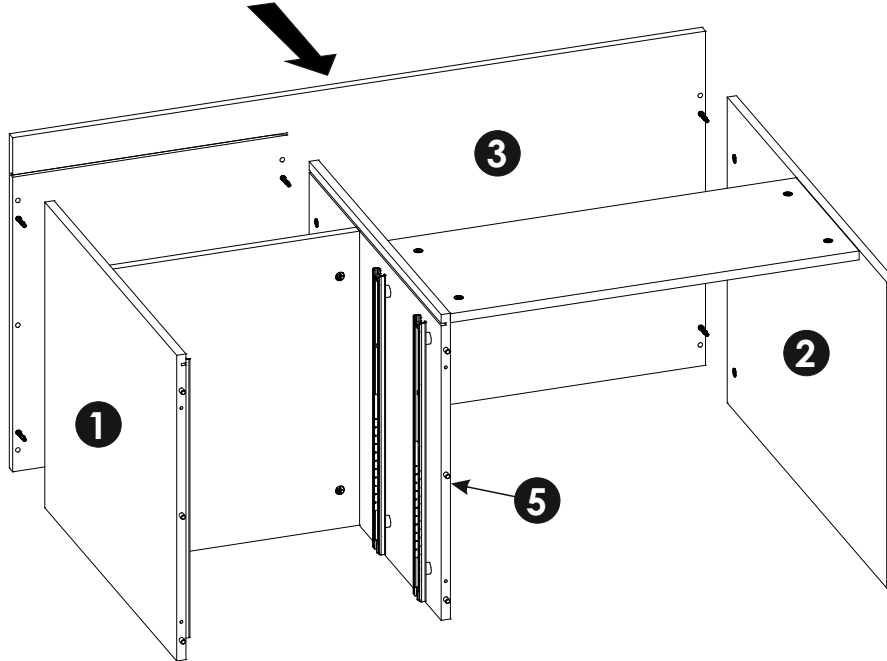
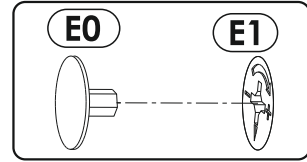
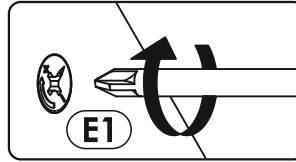
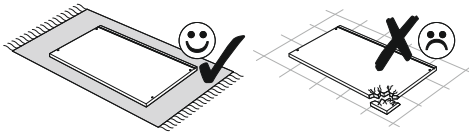




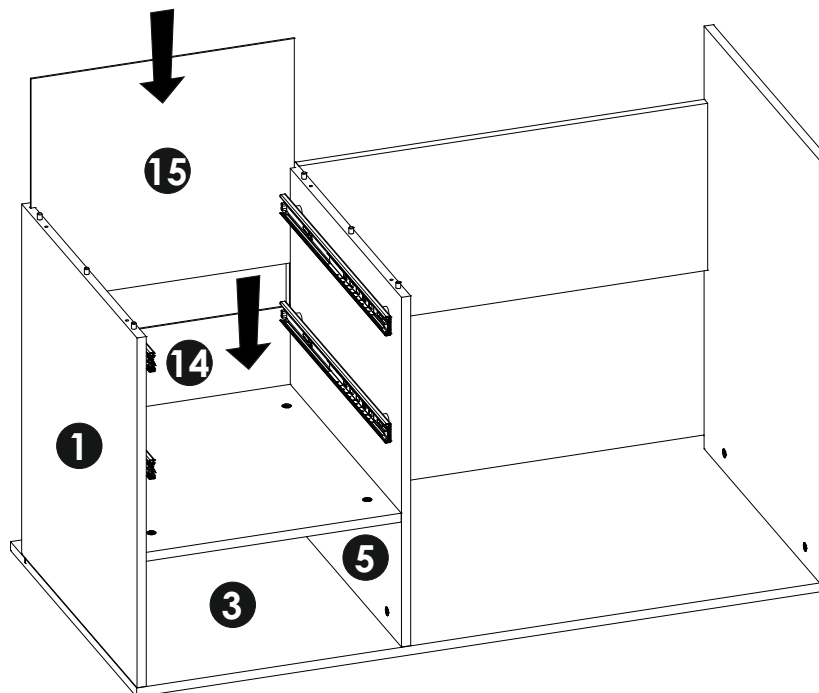
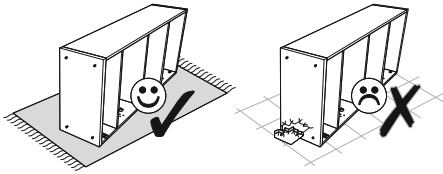




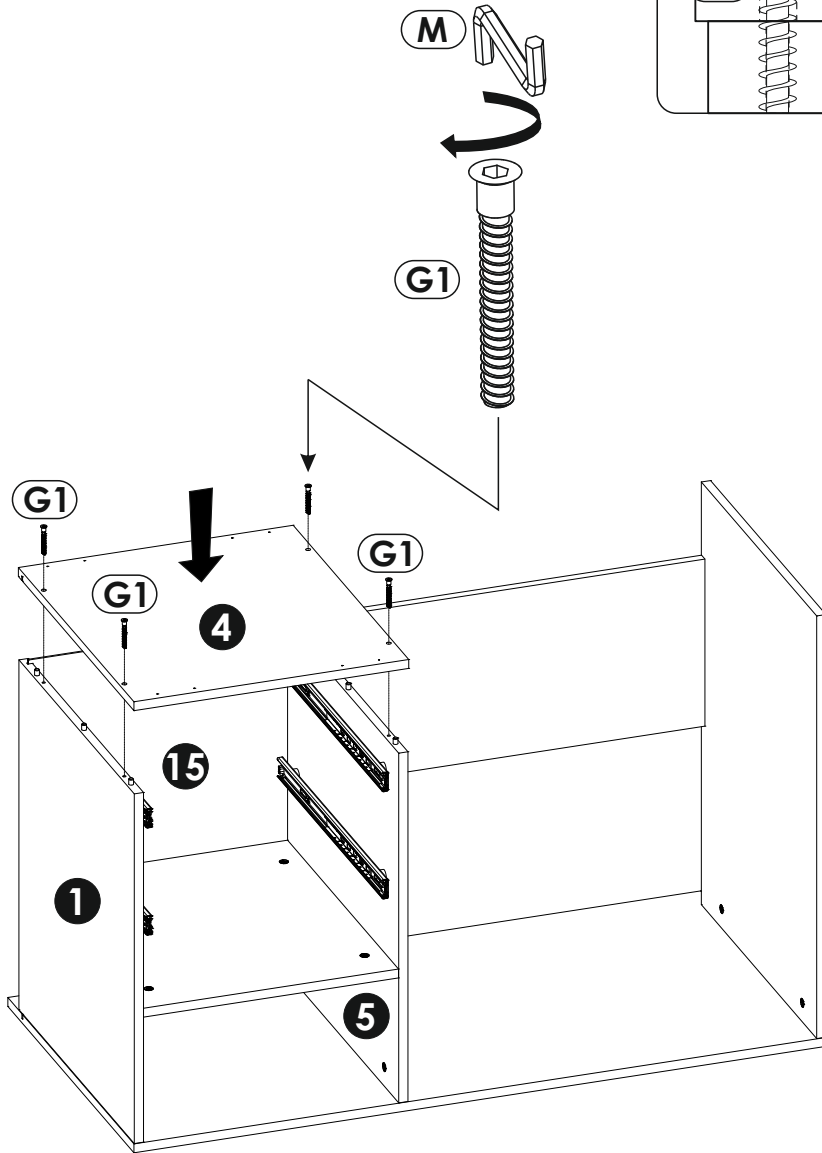
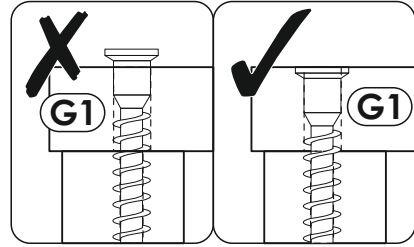
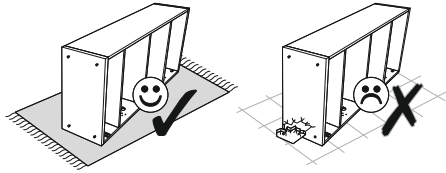
12▶

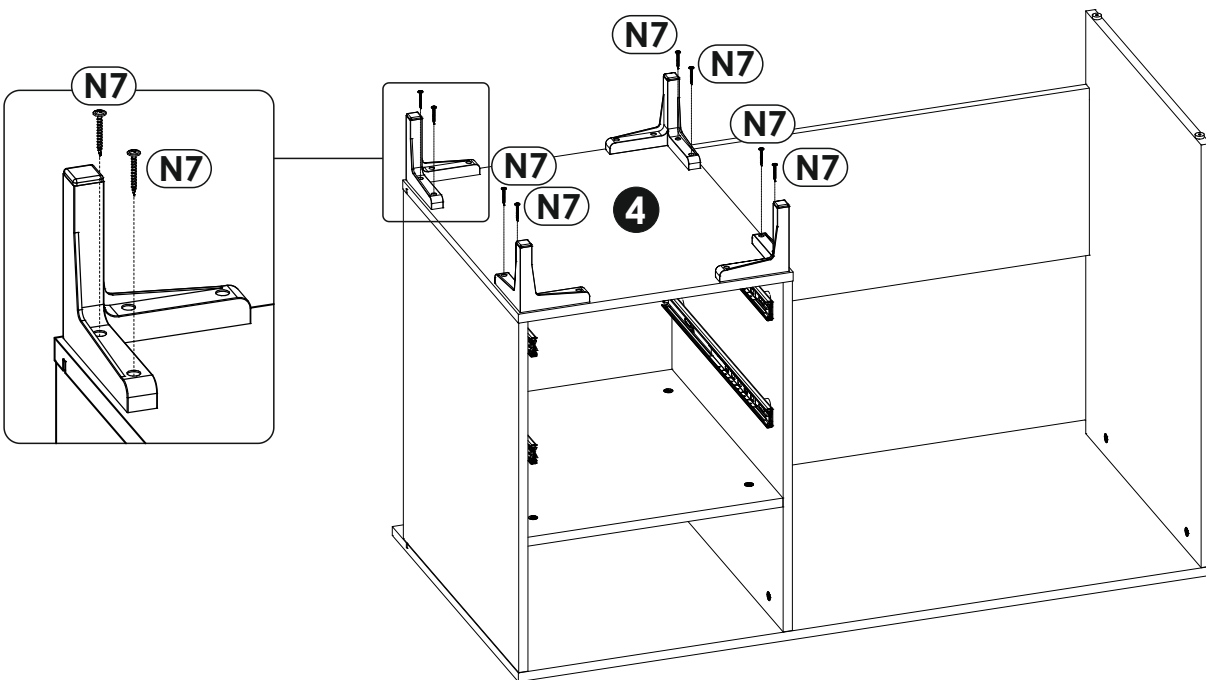
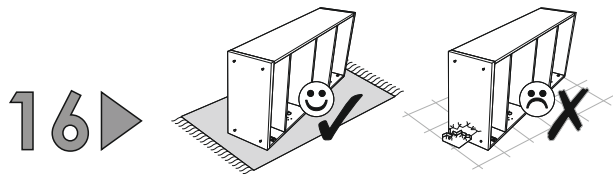
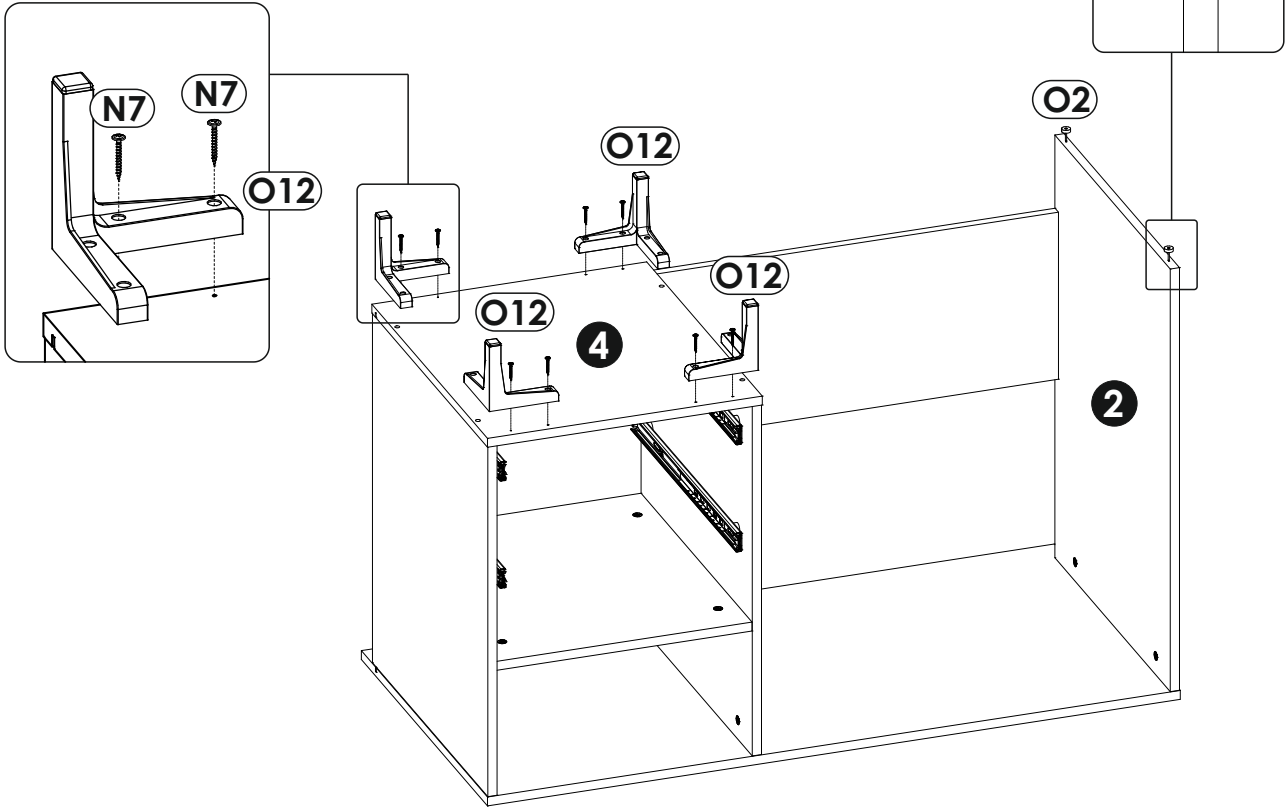
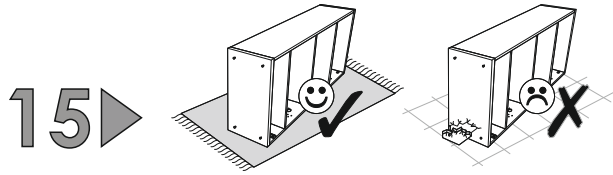


13▶

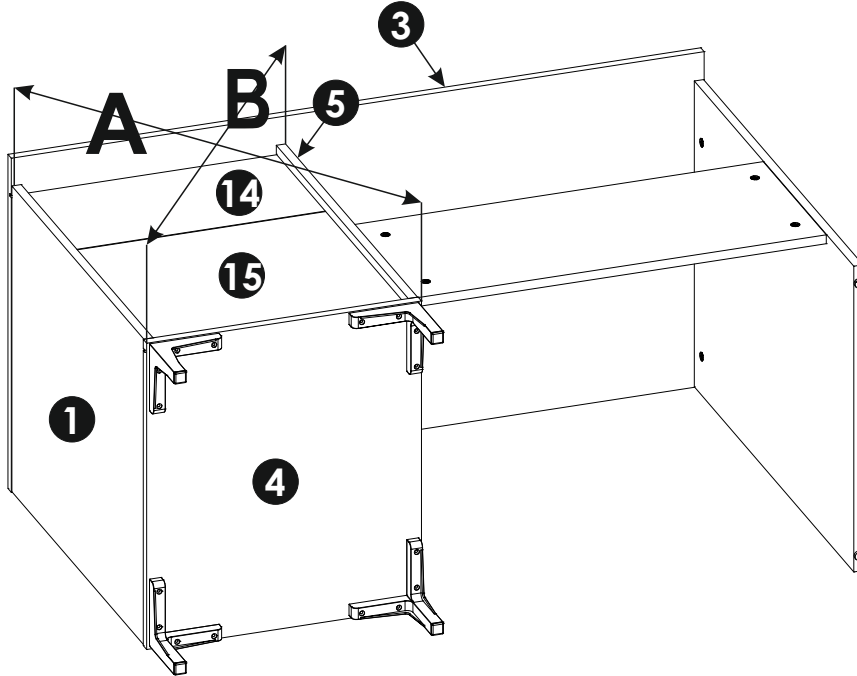
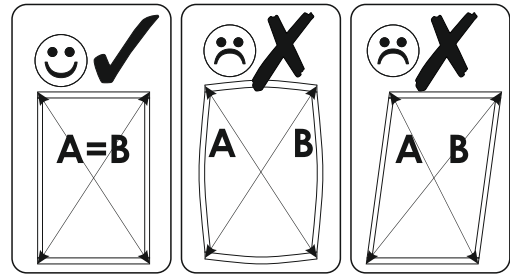
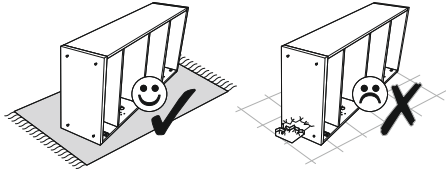


14▶▶

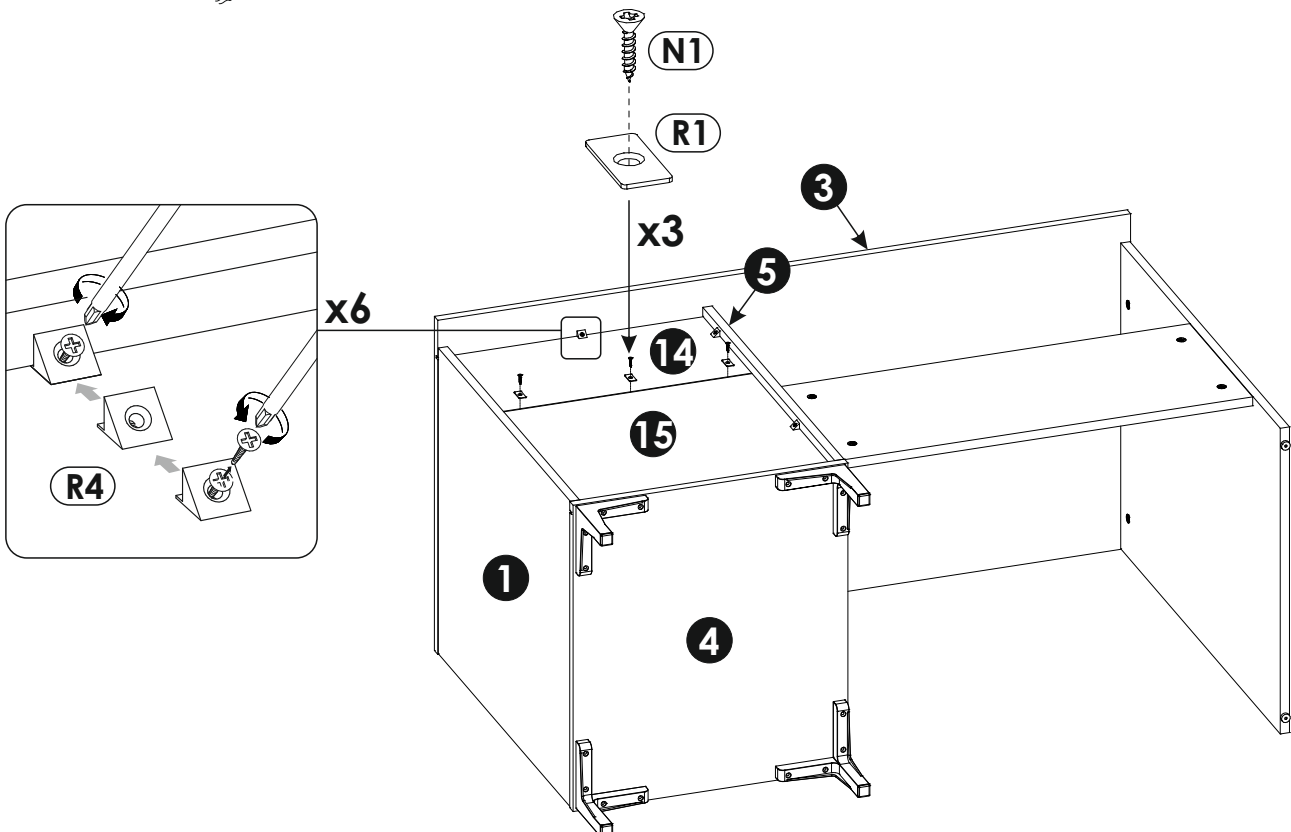
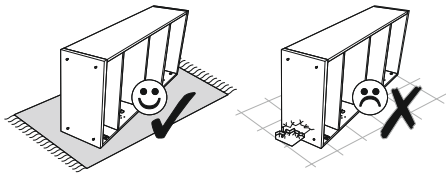


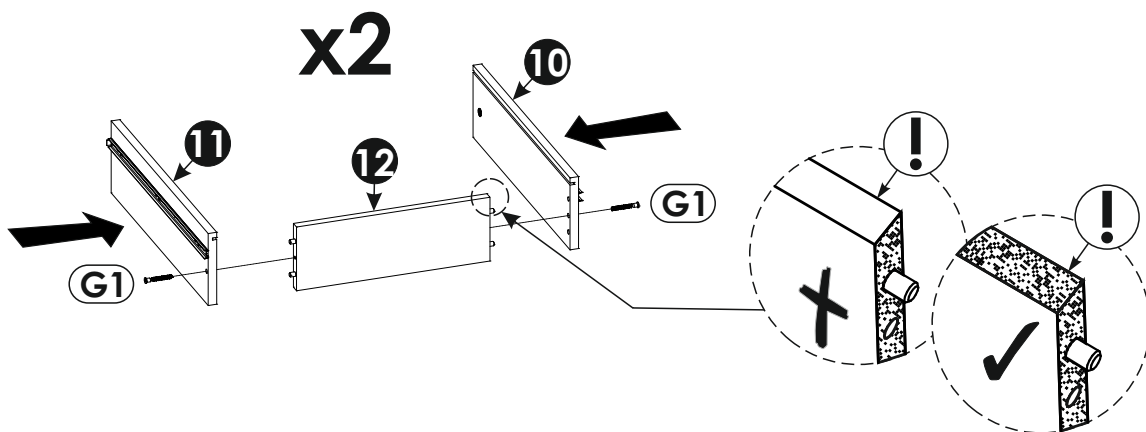
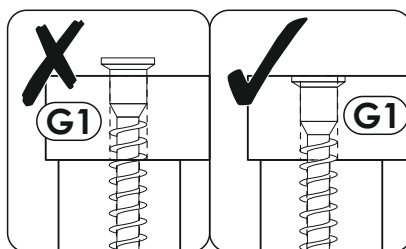
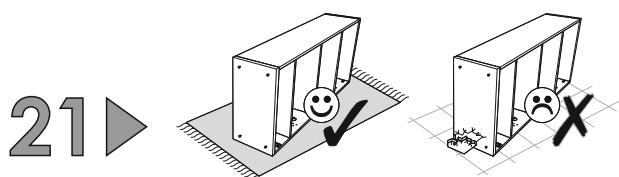
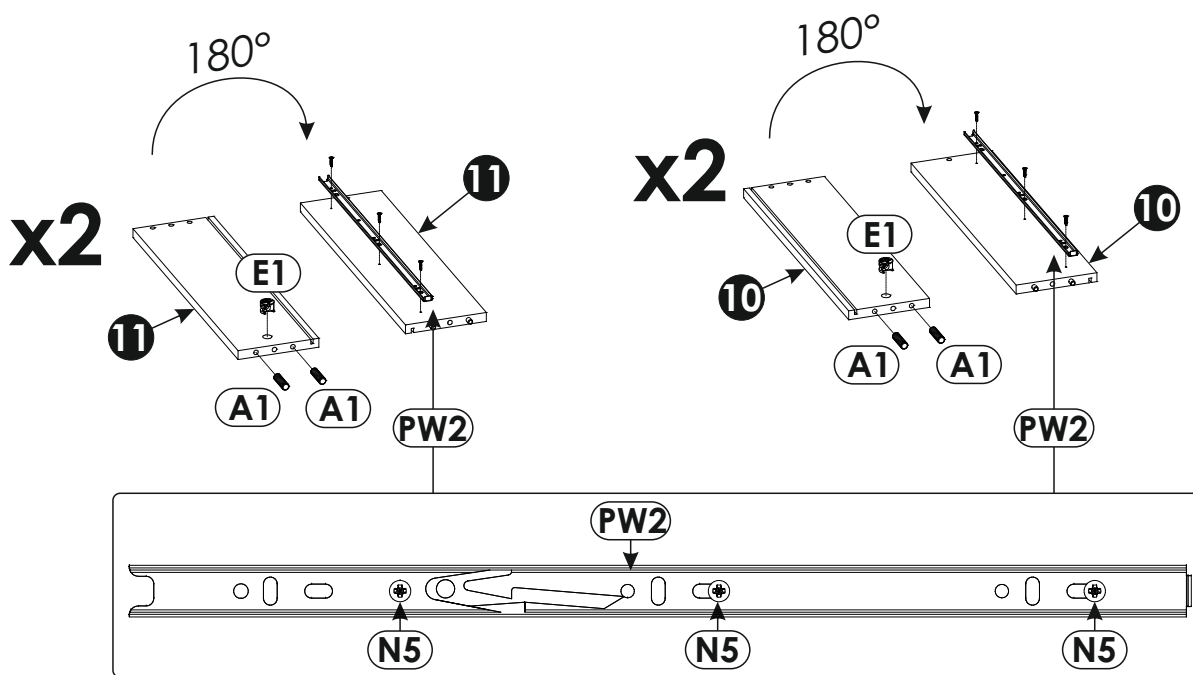
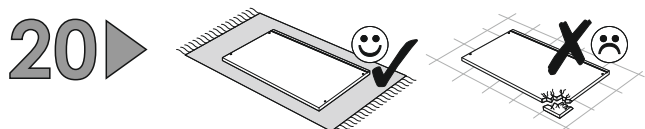
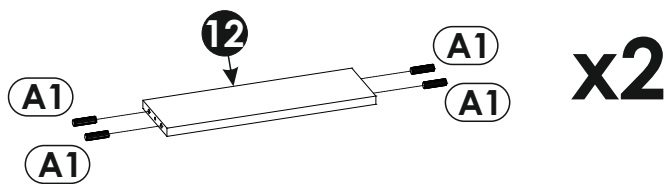
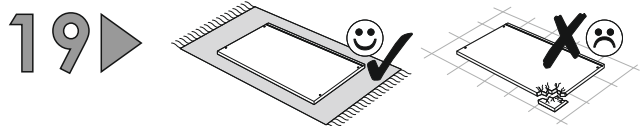


17 ▶

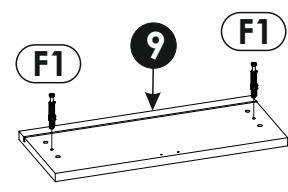
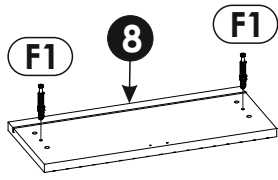
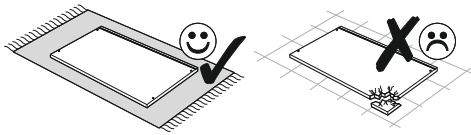


18 ▶

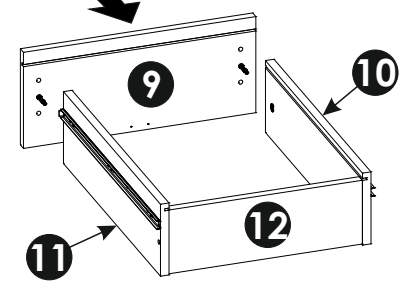
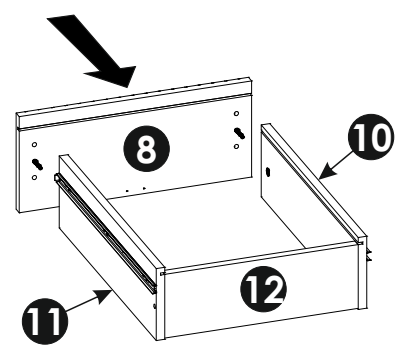
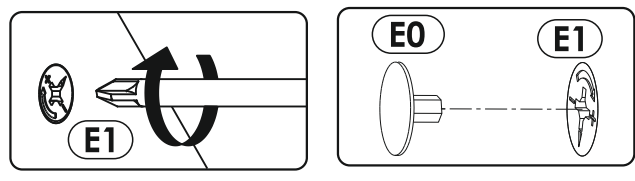
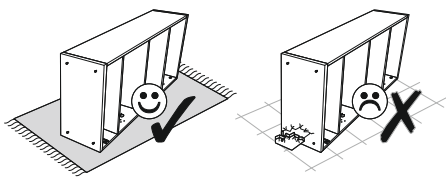




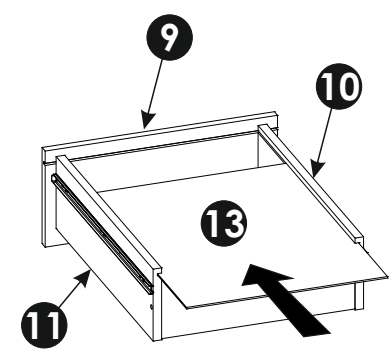
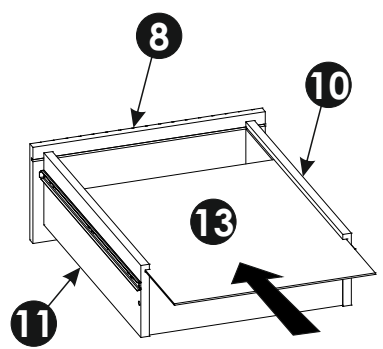
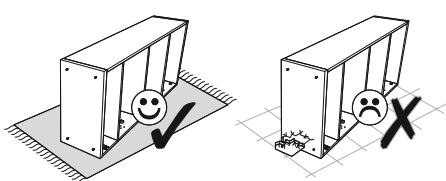
22 ▶



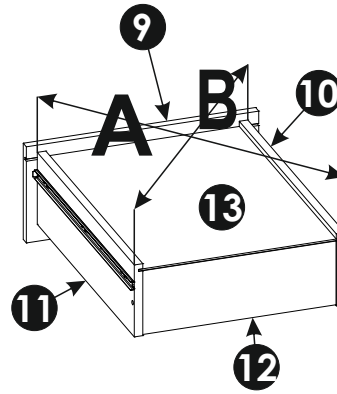
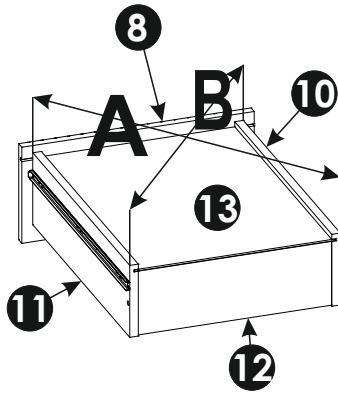
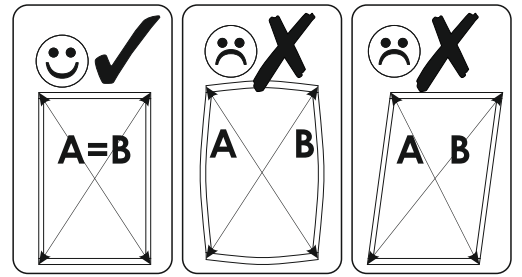
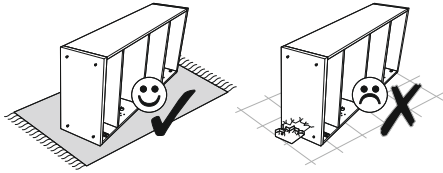
23 ▶



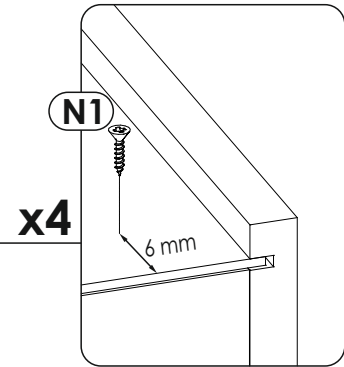
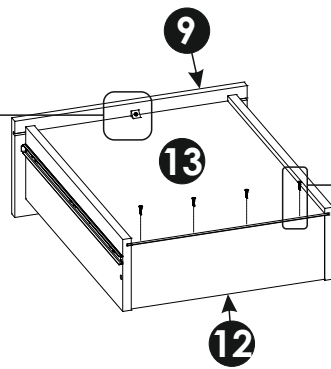
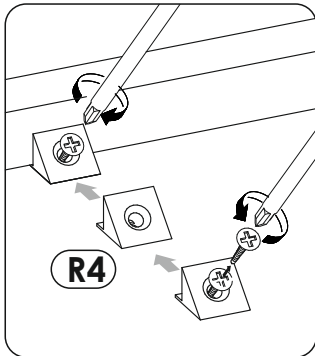
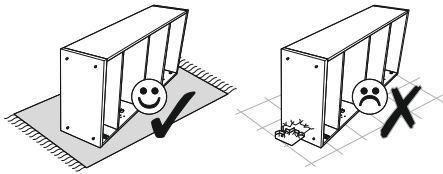
24 ▶



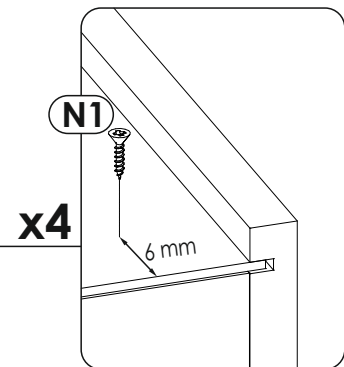
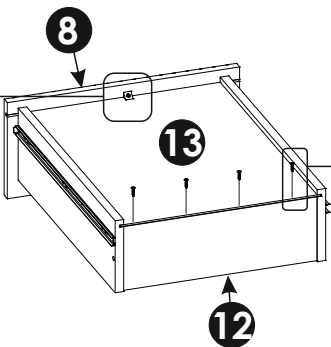
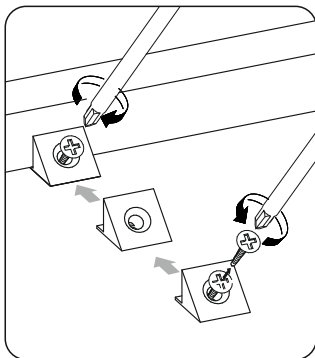
25 ▶



26 ▶

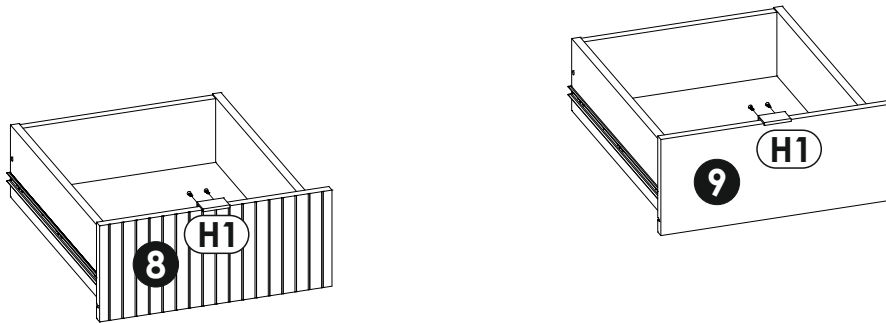
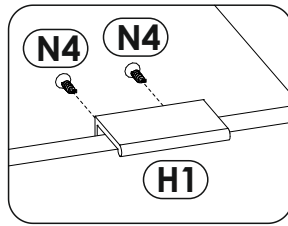


x4

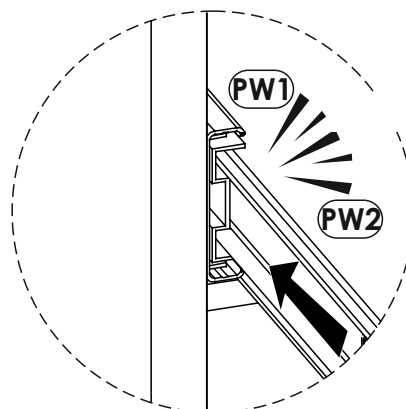
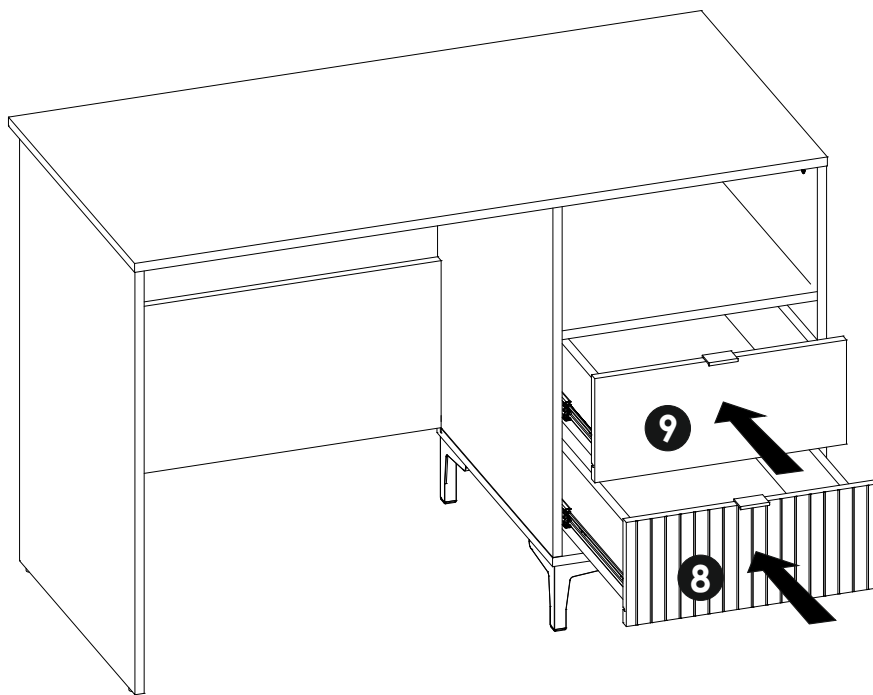


x4

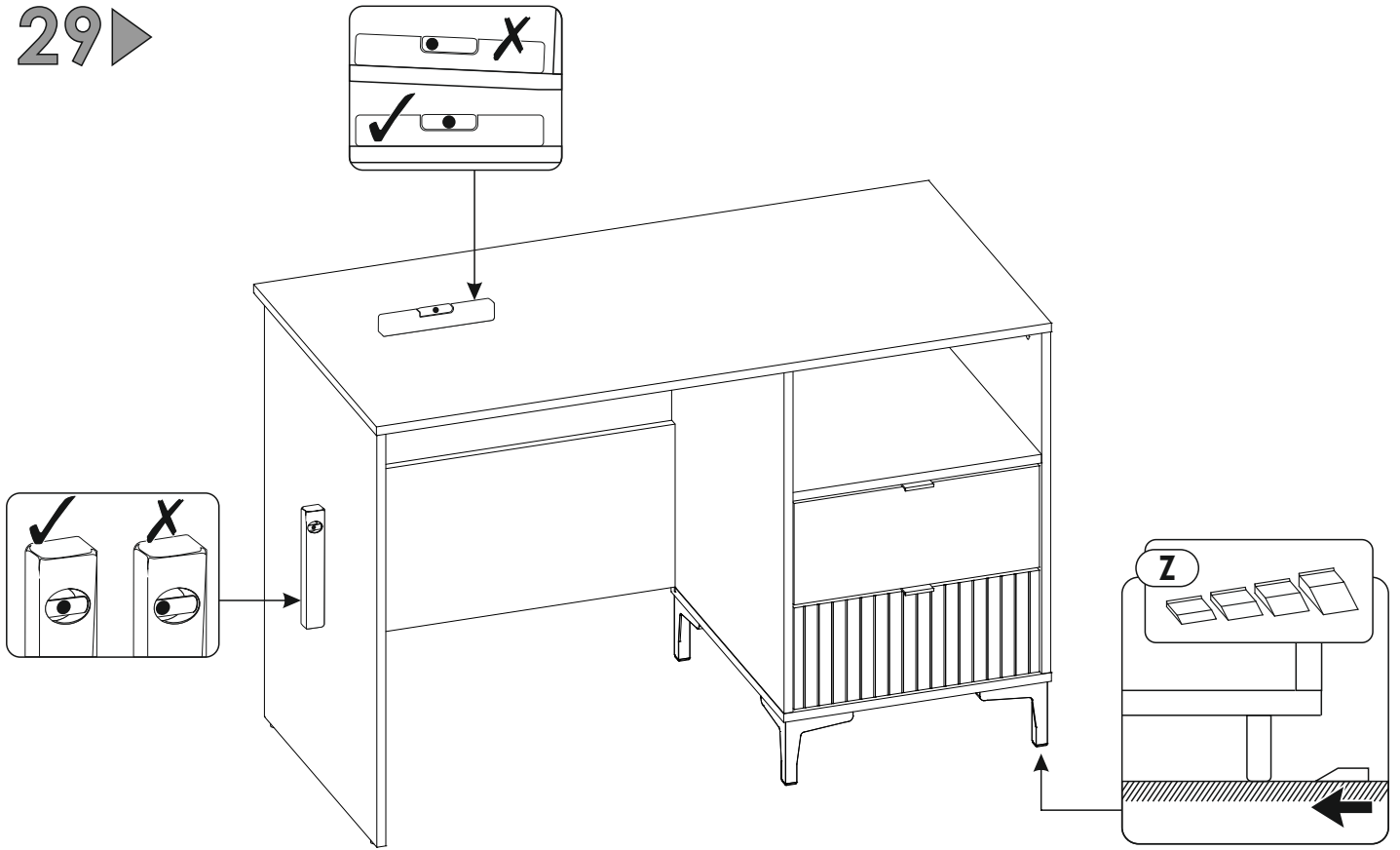
27▶



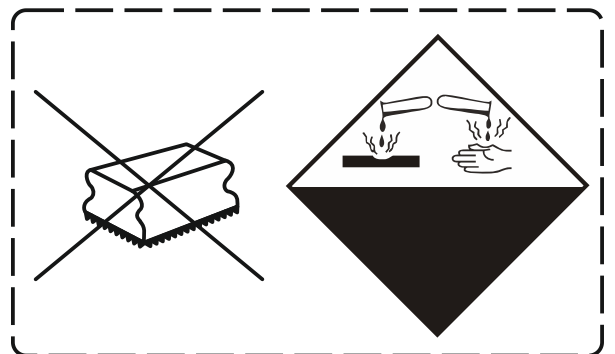
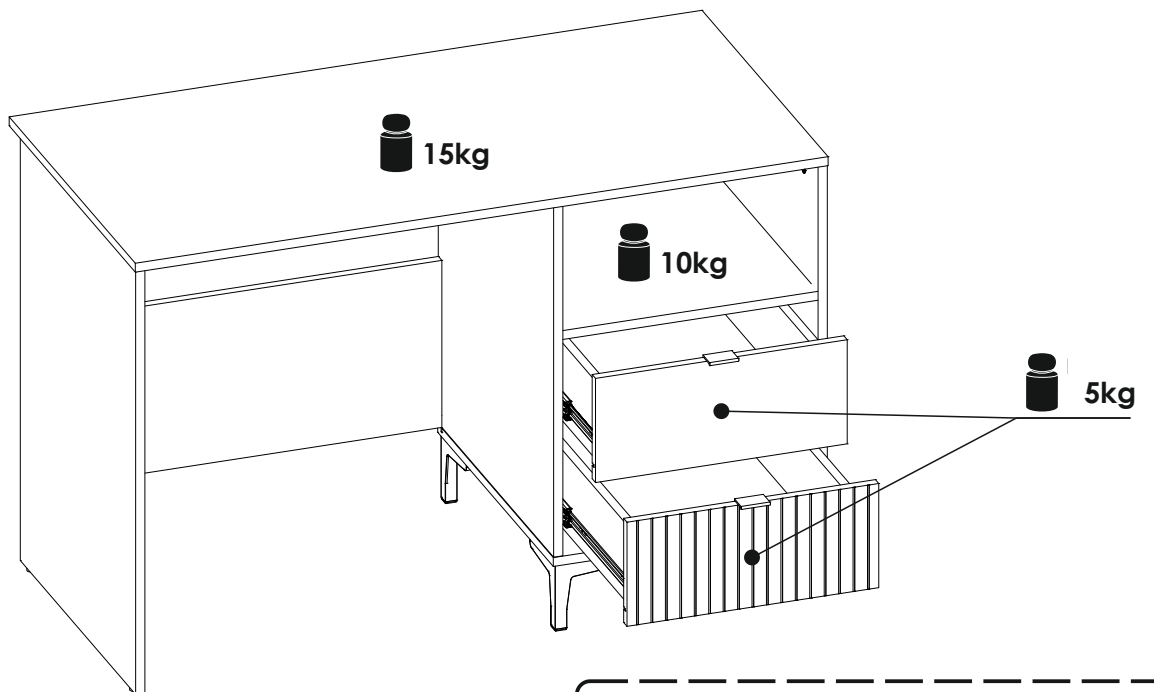
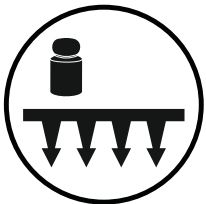
28▶

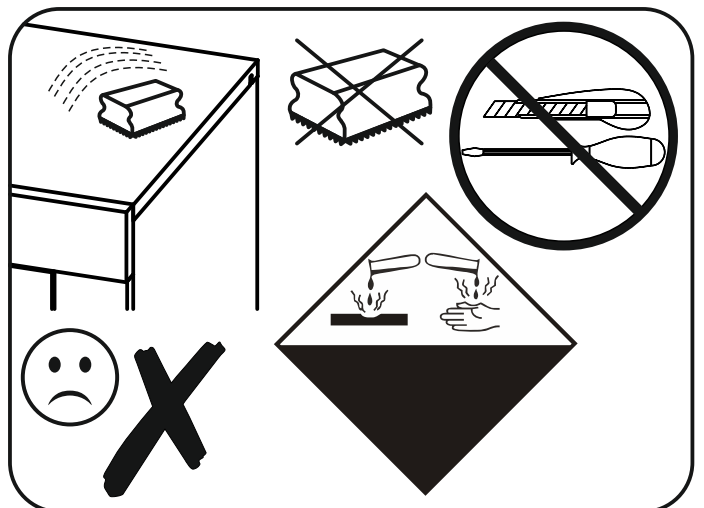
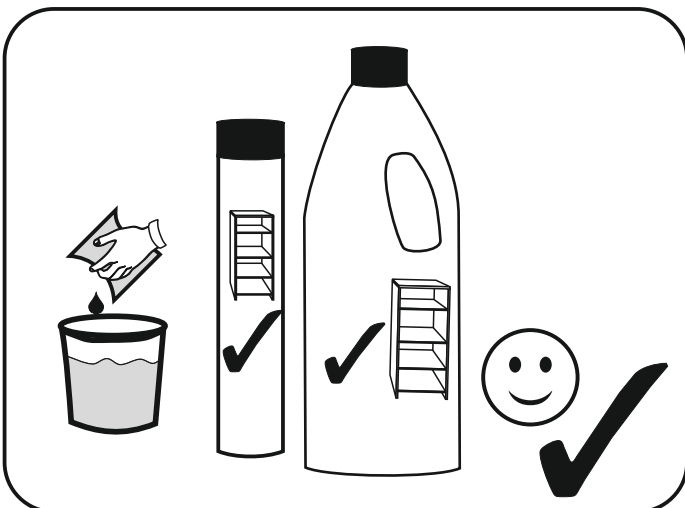
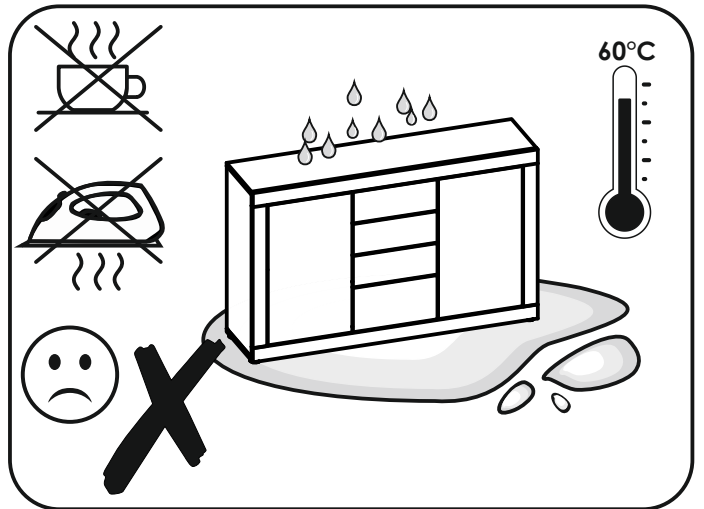
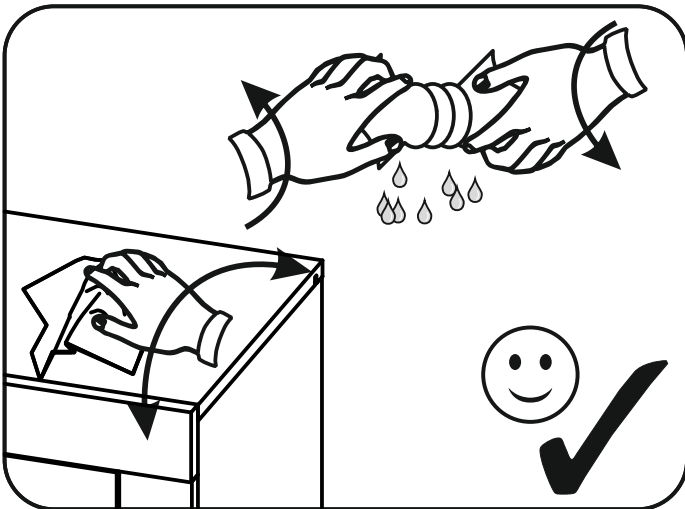
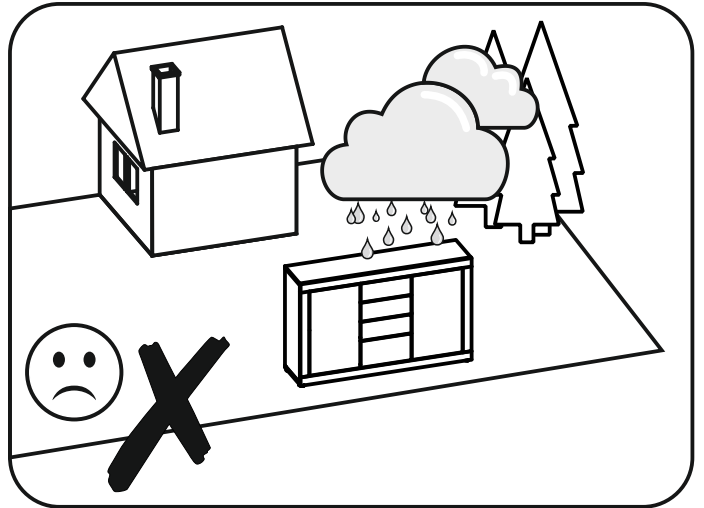


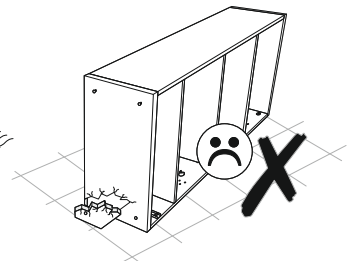
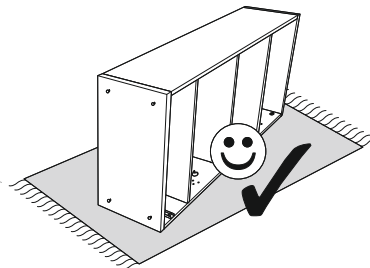
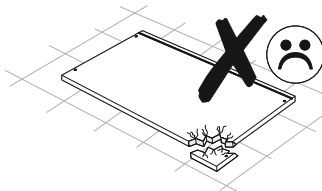
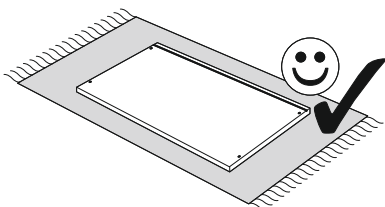
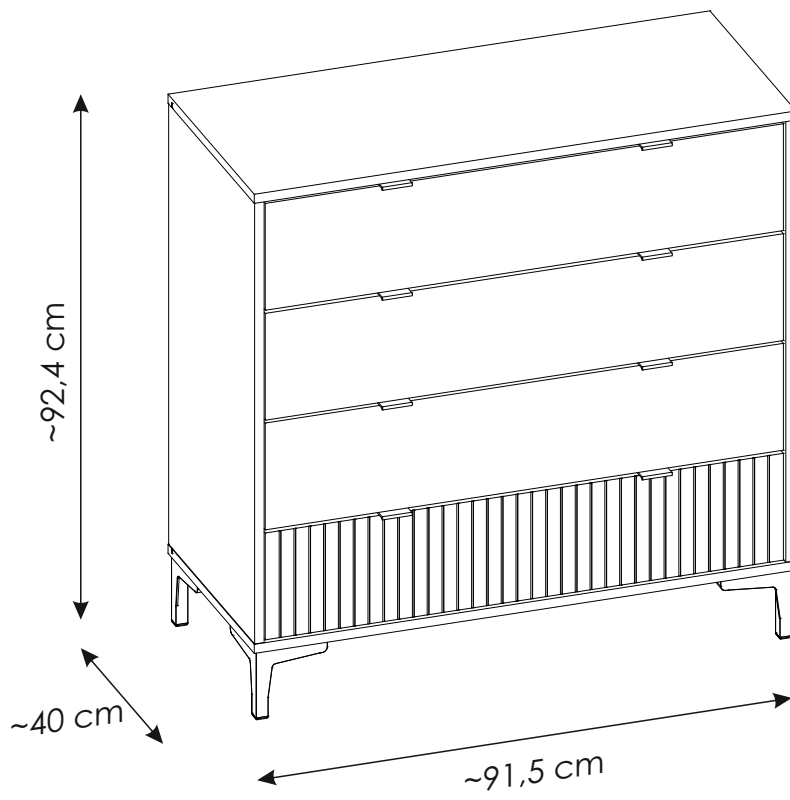
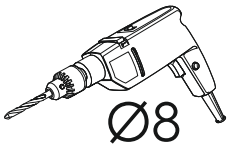
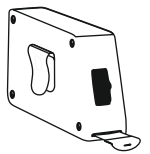
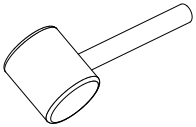
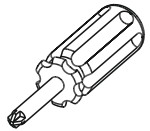
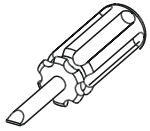
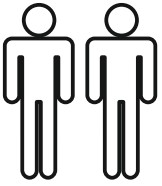
29 ▶

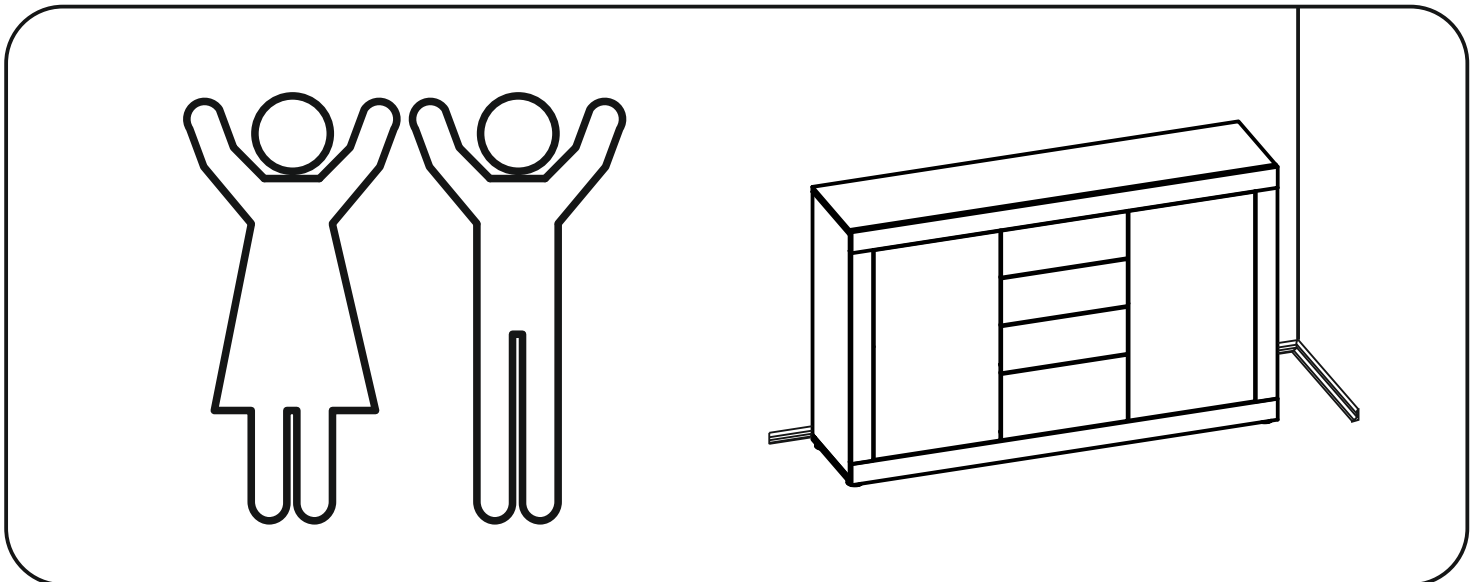
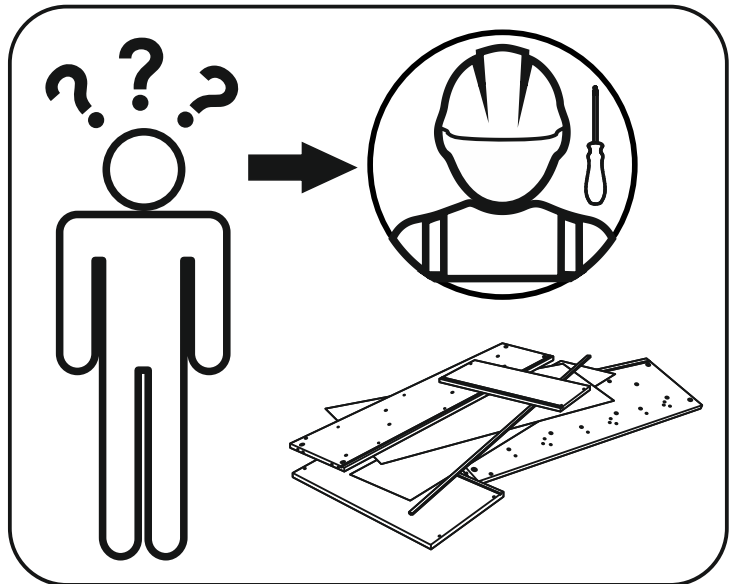
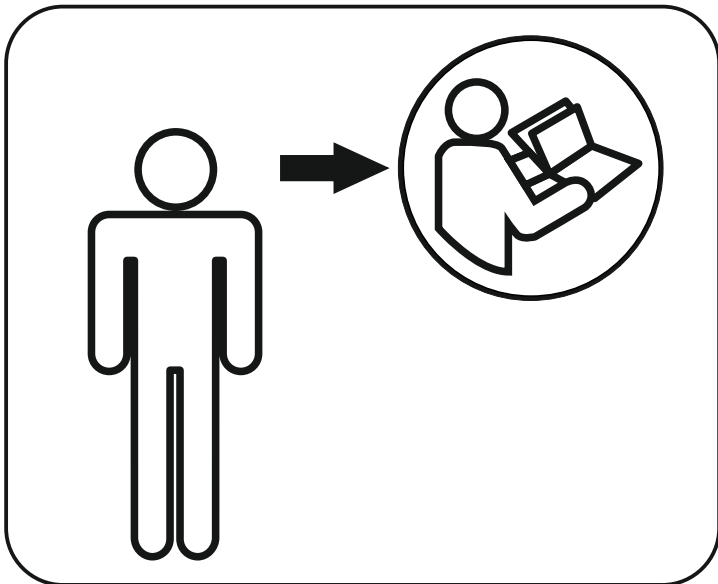
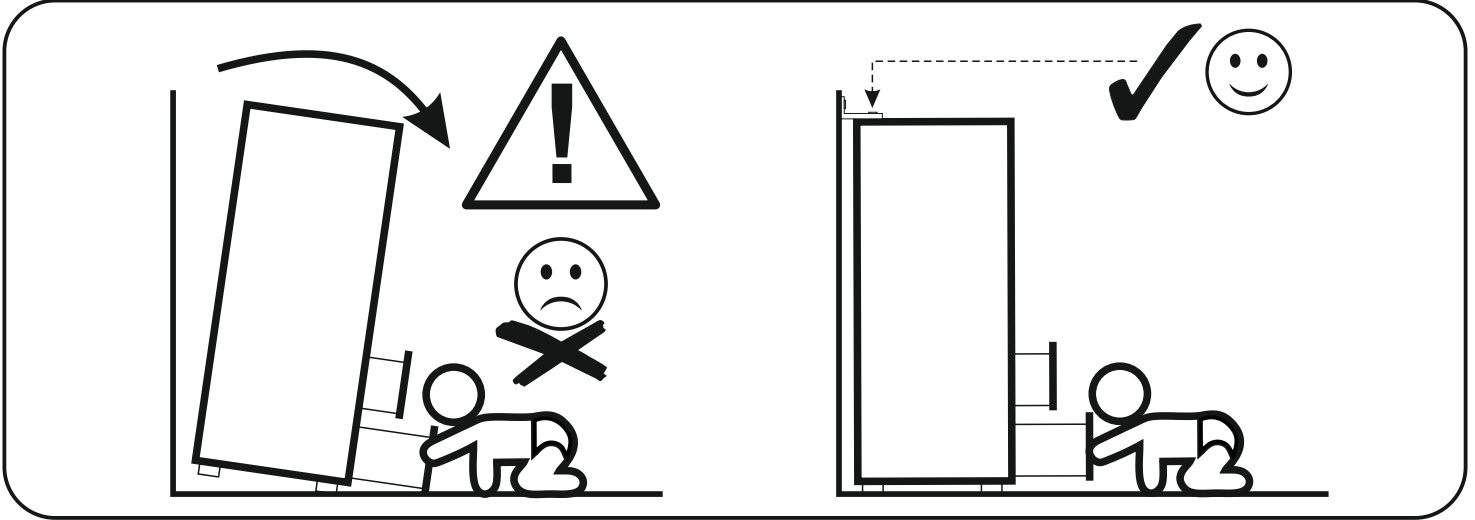
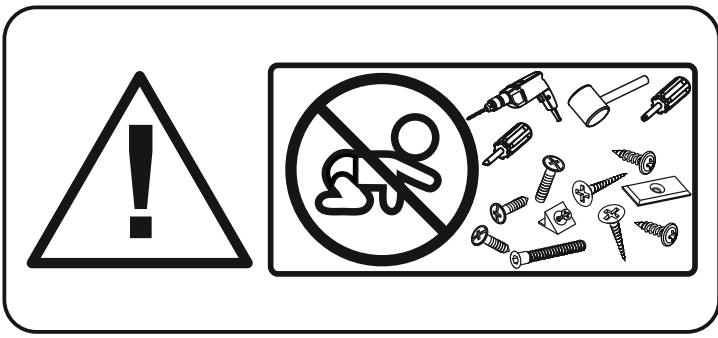



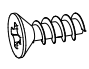
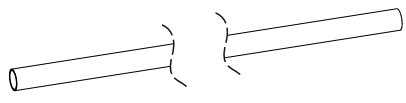
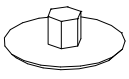

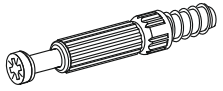
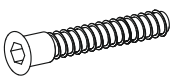
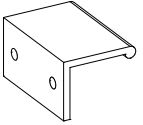
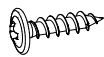
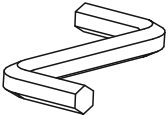
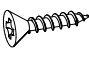

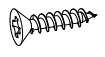


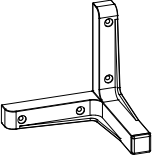
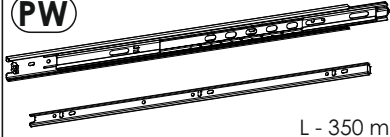
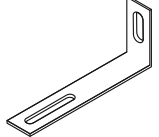
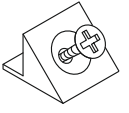
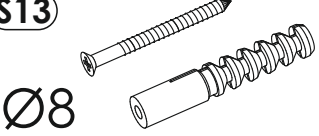
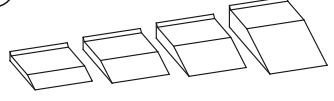
30 ▶

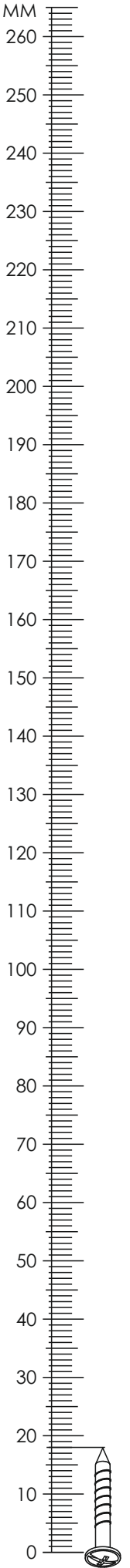


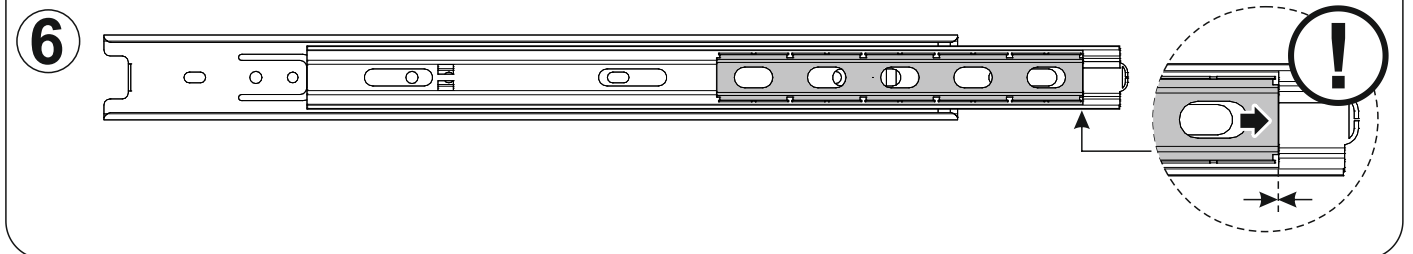
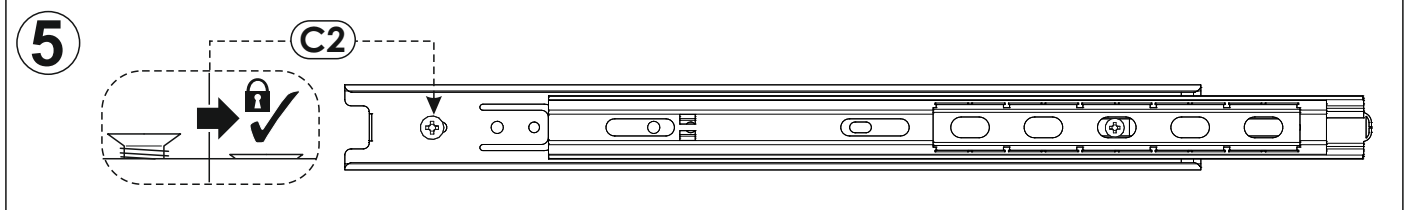
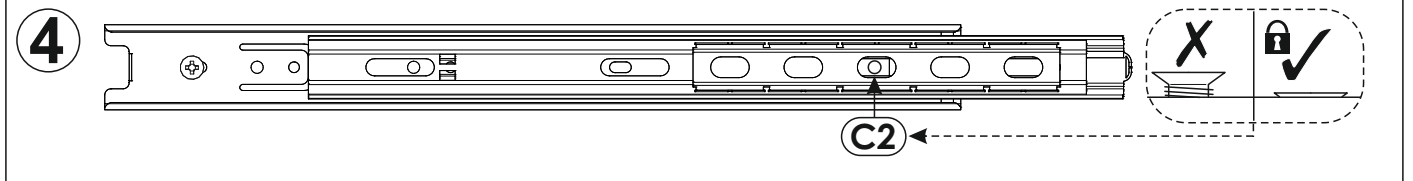
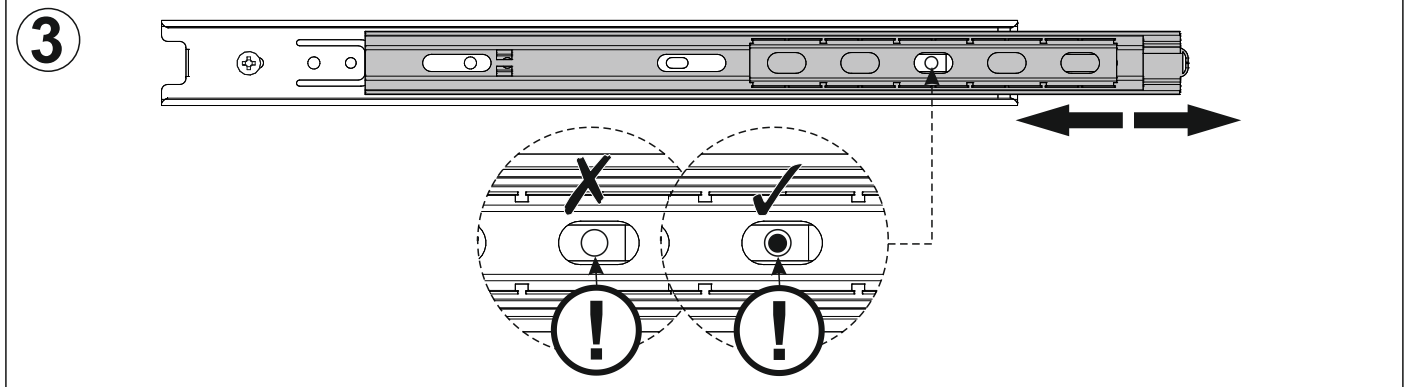
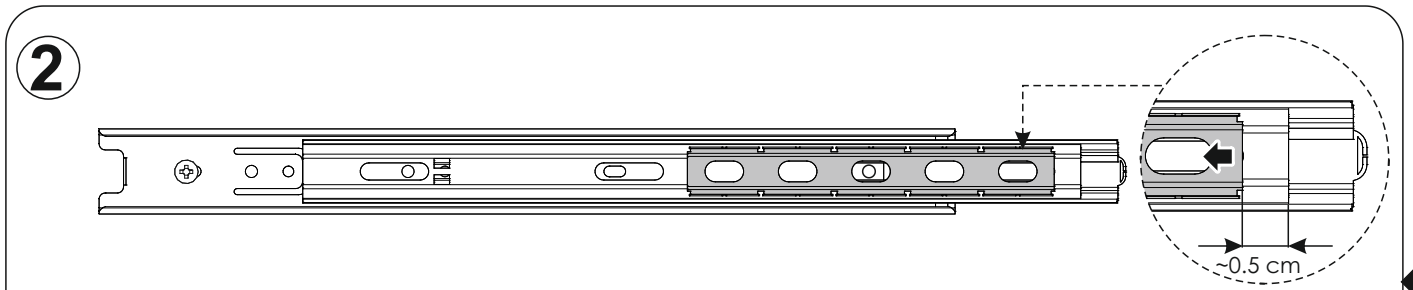
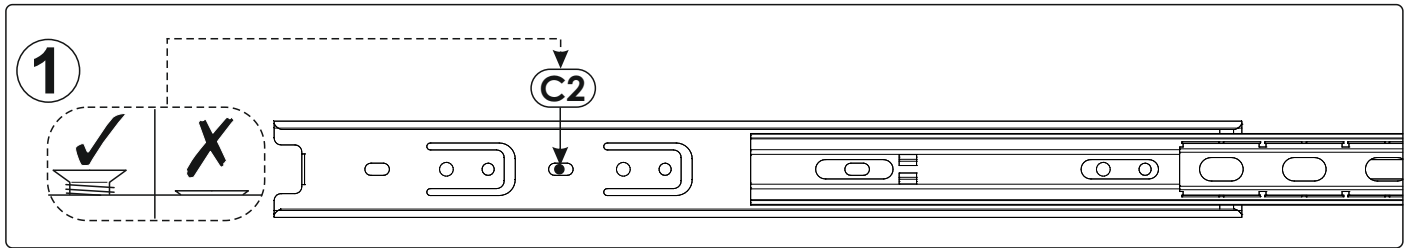
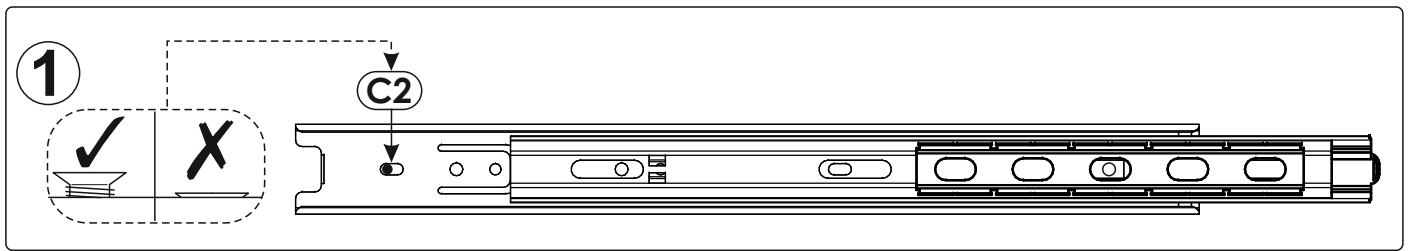


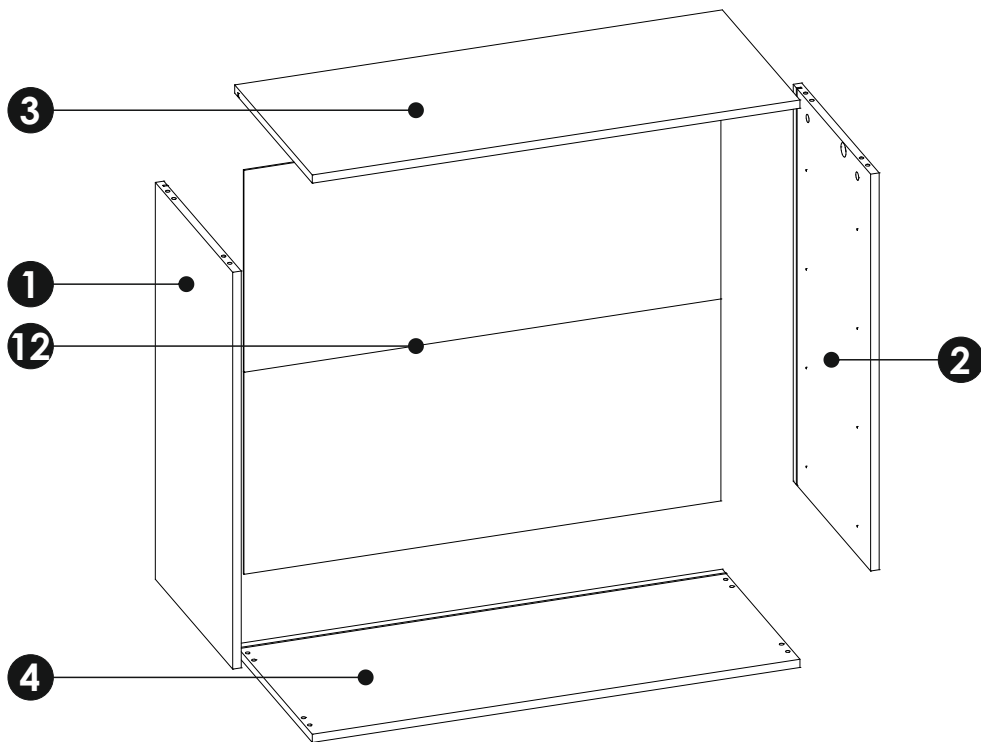
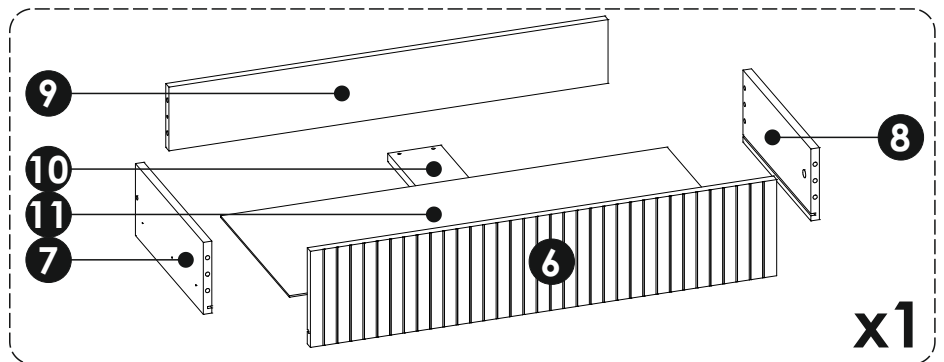
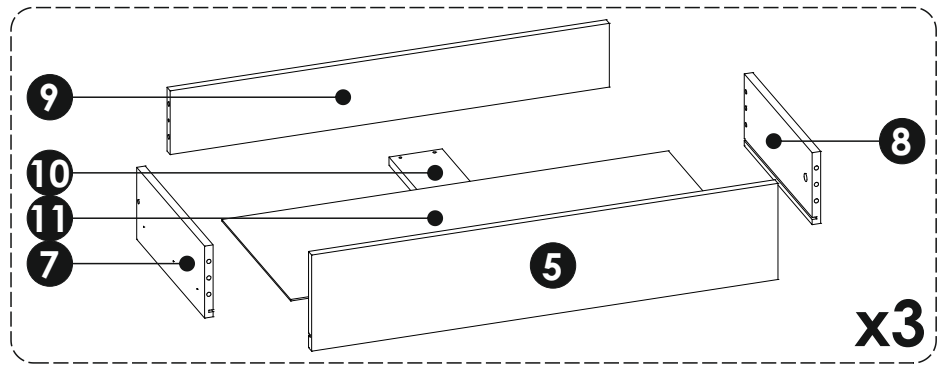
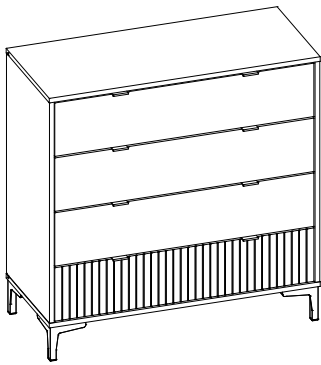




A1 8 x 35 mm x48 	C2 5 x 13 mm x16 	DR L - 896 mm x1 
E0 Ø16 x8 	E1 15 x 12 mm x16 	F1 6 x 34 mm x16 
G1 7 x 50 mm x12 	H1 L - 50 mm x8 	I2 4 x 16 mm x2 
M x1 	N1 3 x 16 mm x30 	N4 3,5 x 13 mm x16 
N5 3,5 x 16 mm x24 	N7 3,5 x 30 mm x16 	N9 3,5 x 40 mm x8 
O12 x4 	PW L - 350 mm x8 	Q9 x2 
R4 x8 	S13 x2 	Z x1 

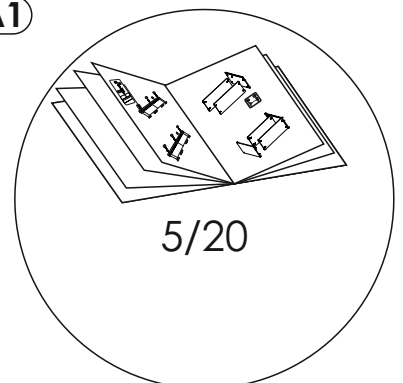
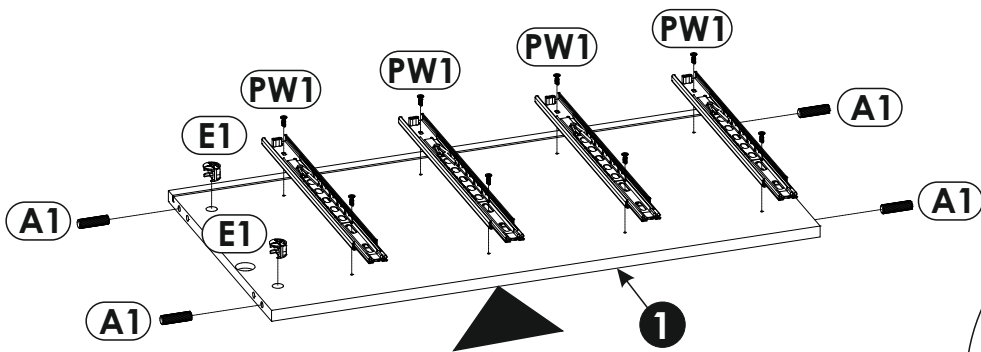
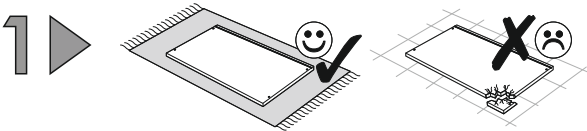
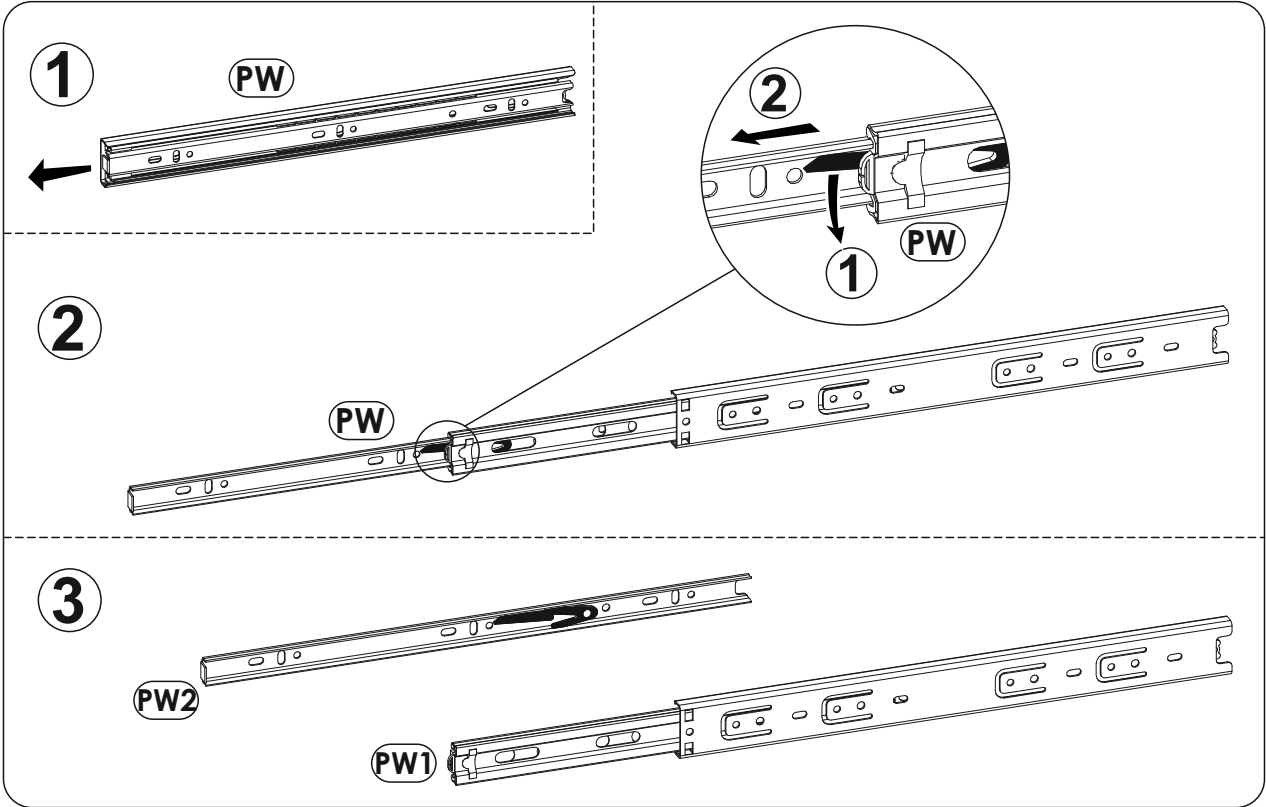
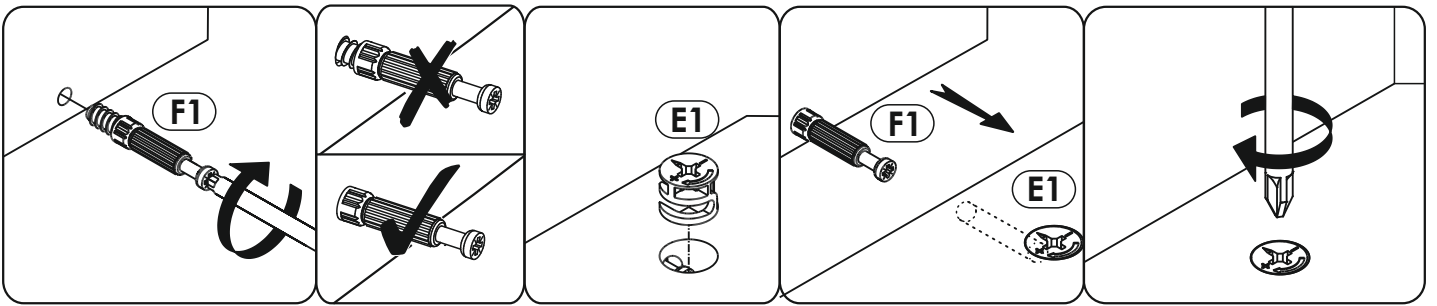




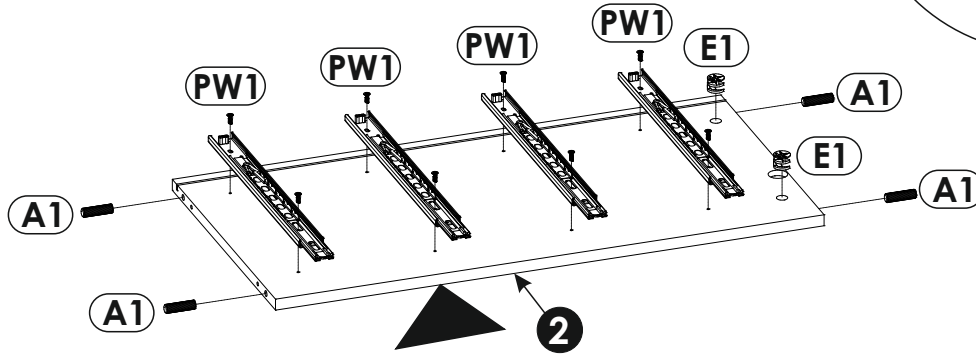
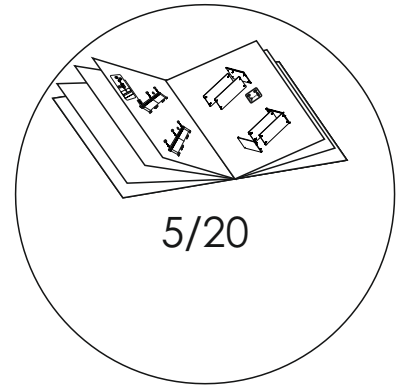
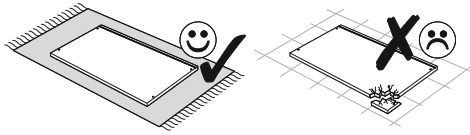


1	772	399	16	x1	1/2
2	772	399	16	x1	1/2
3	915	400	16	x1	2/2
4	915	400	16	x1	1/2
5	875	187	16	x3	2/2
6	187	875	16	x1	2/2

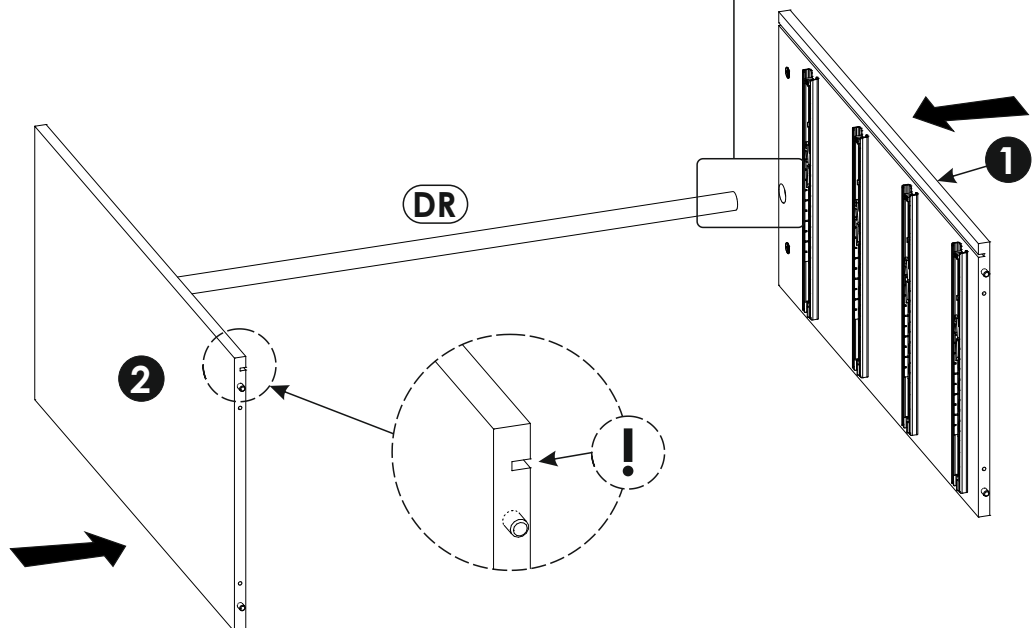
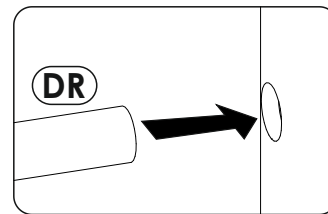
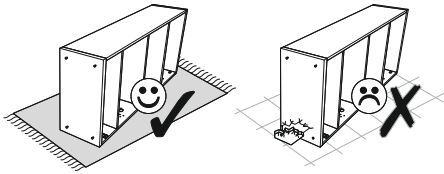
7	350	140	16	x4	1/2
8	350	140	16	x4	1/2
9	824	124	16	x4	1/2
10	350	100	16	x4	1/2
11	838	355	3	x4	1/2
12	895	786	3	x2	2/2



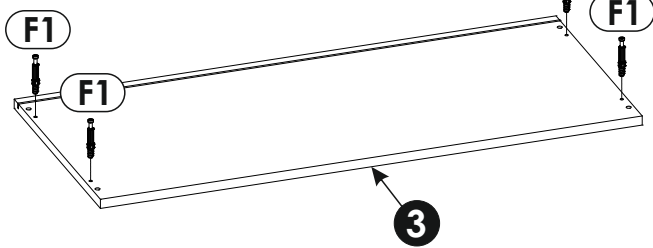
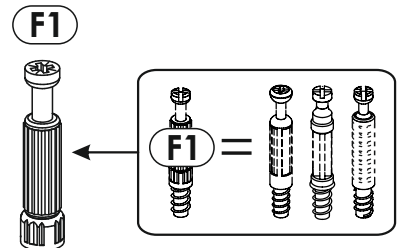
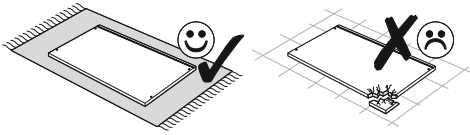
2 ▶



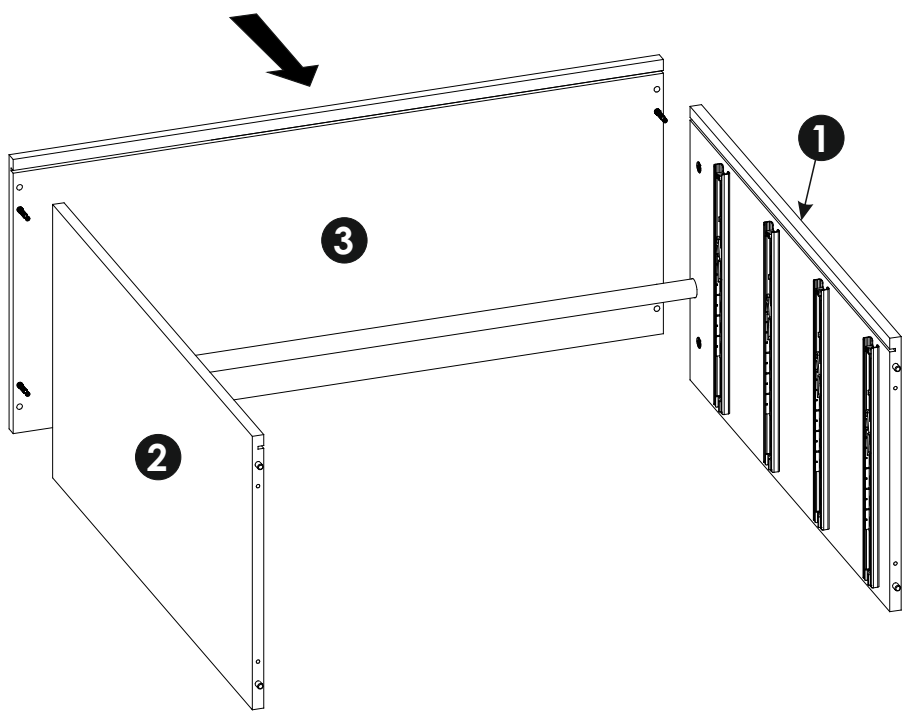
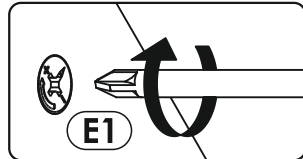
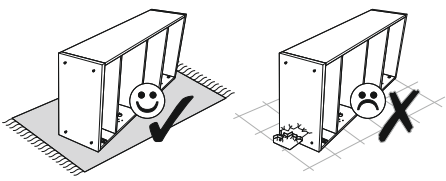
3 ▶

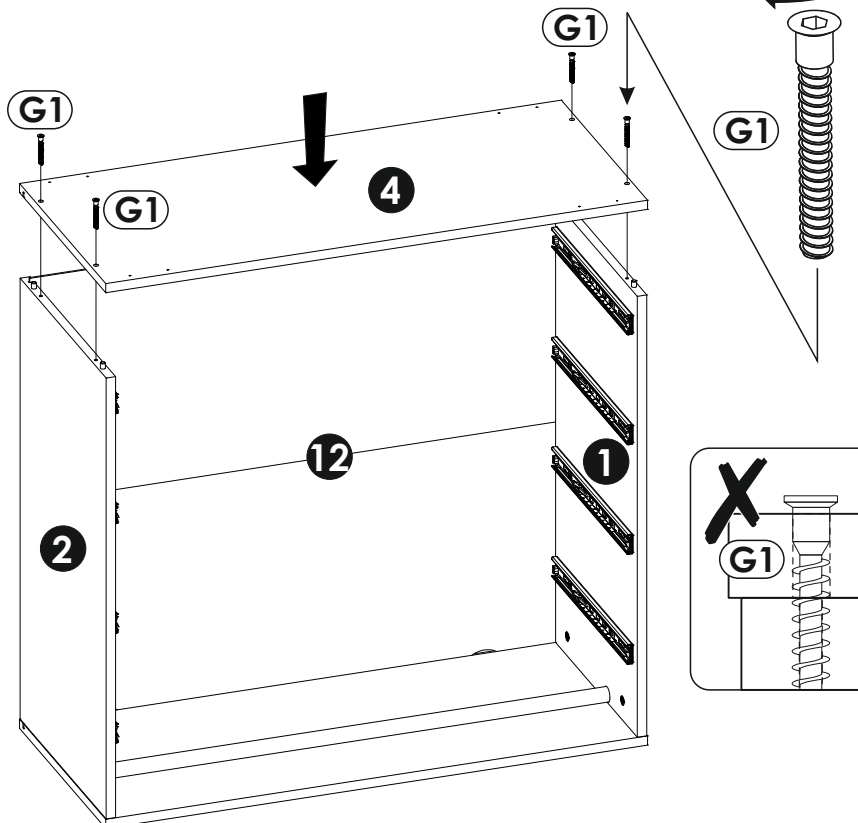
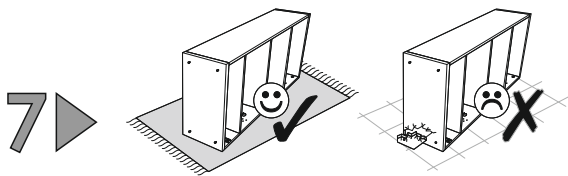
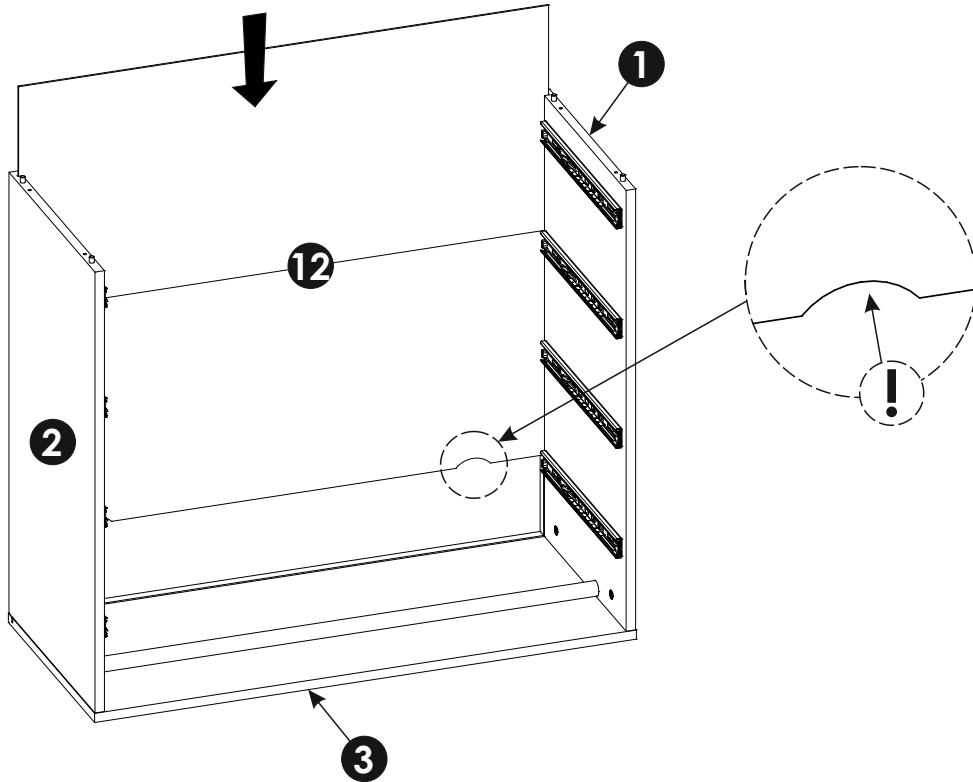
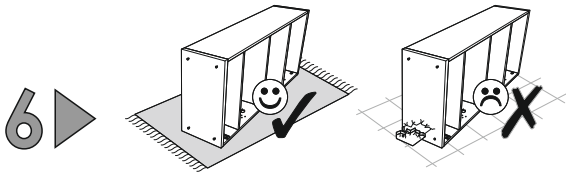


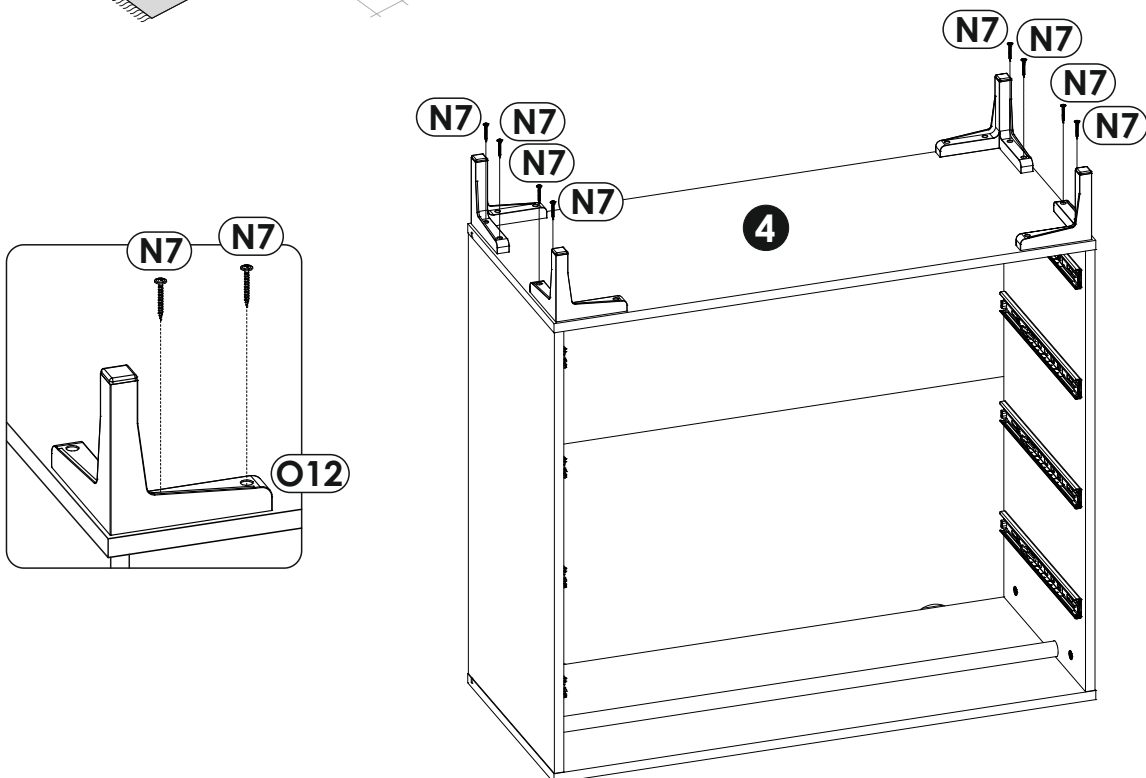
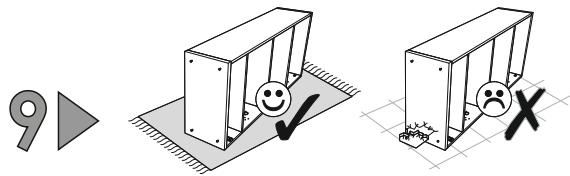
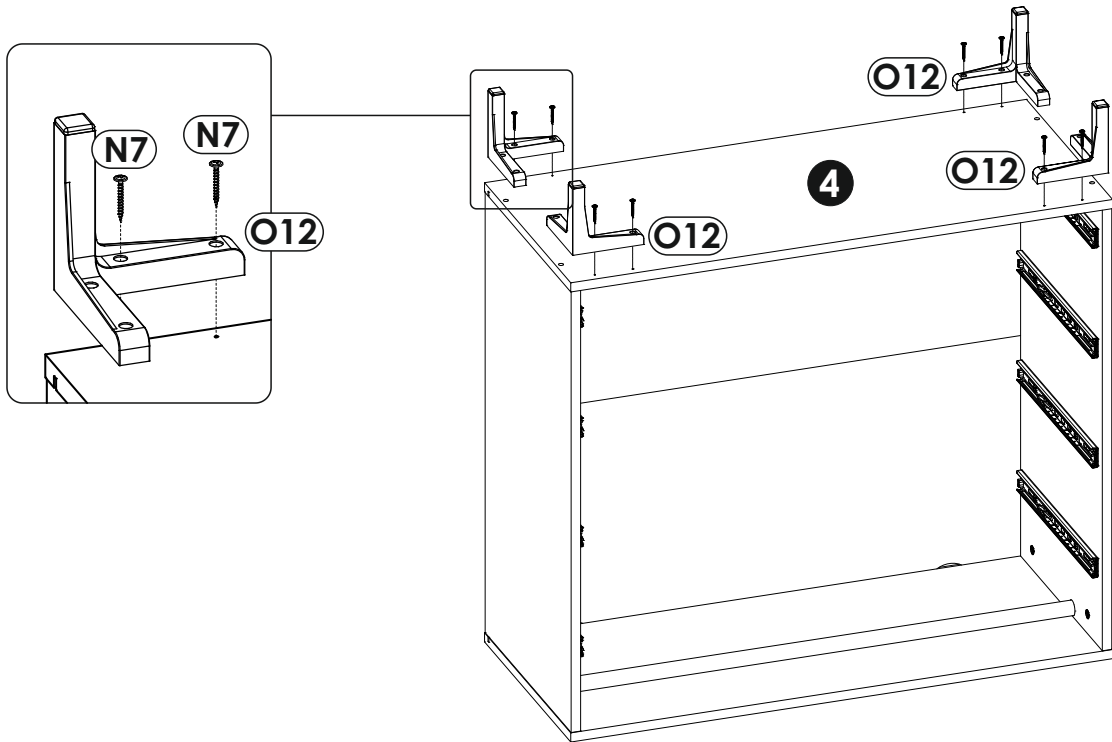
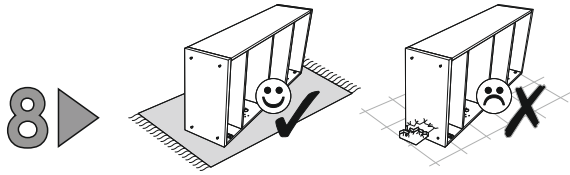
4 ▶



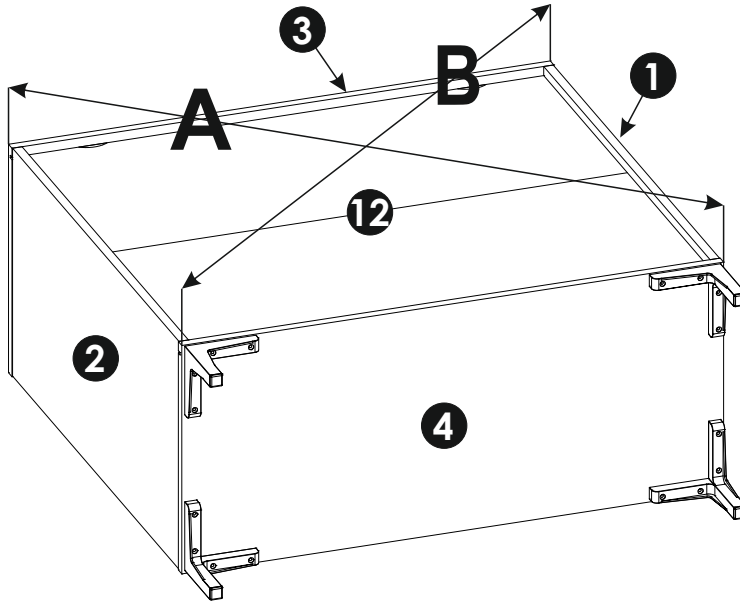
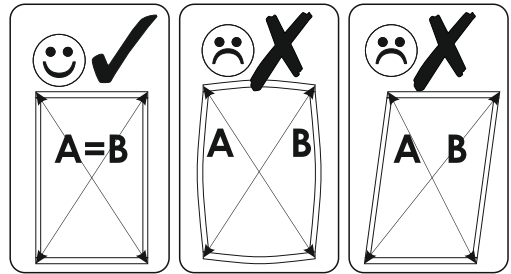
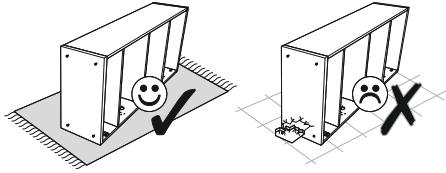
5 ▶



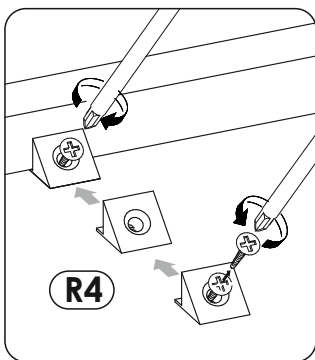
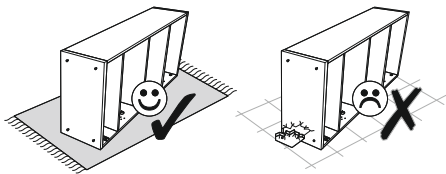




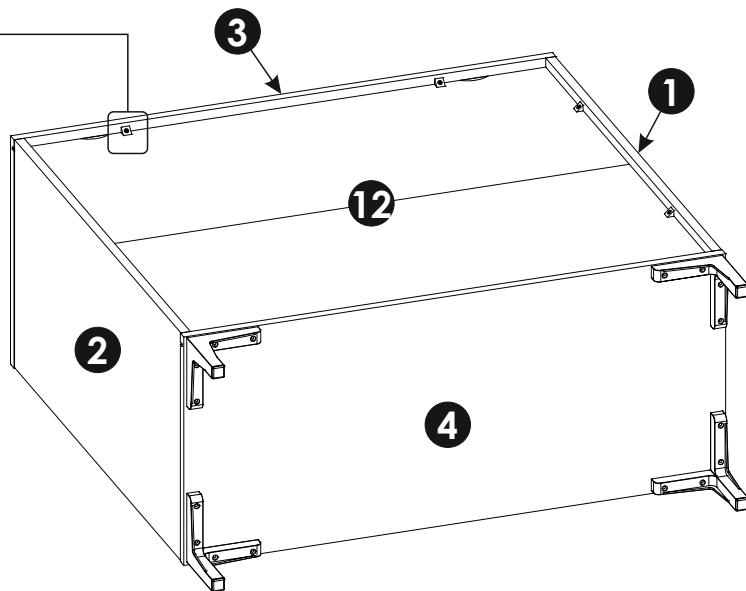
10 ▶



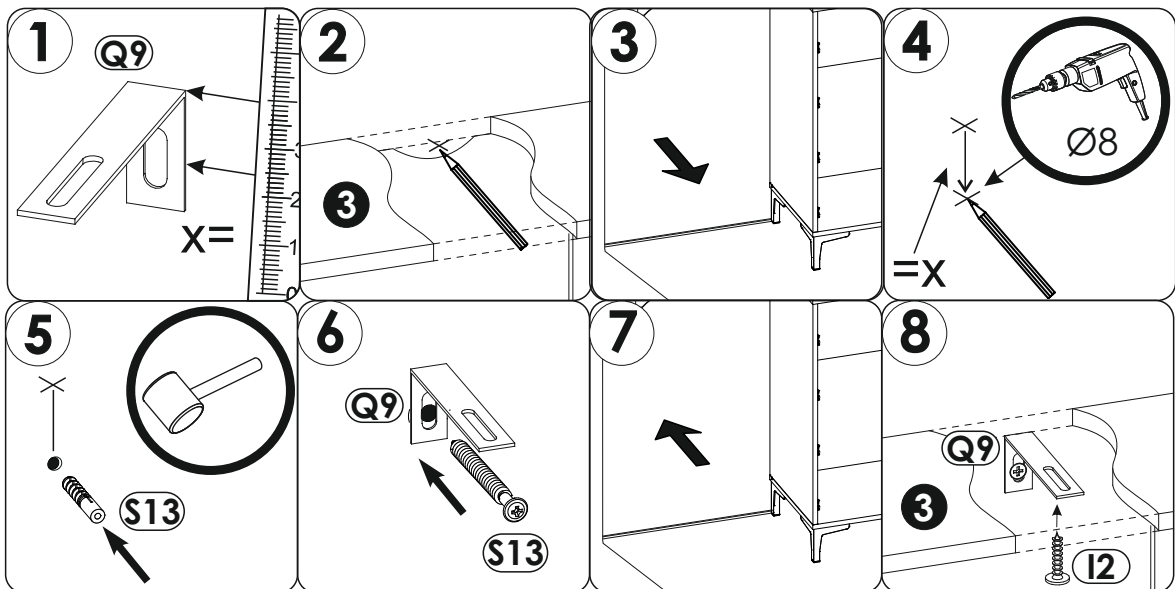
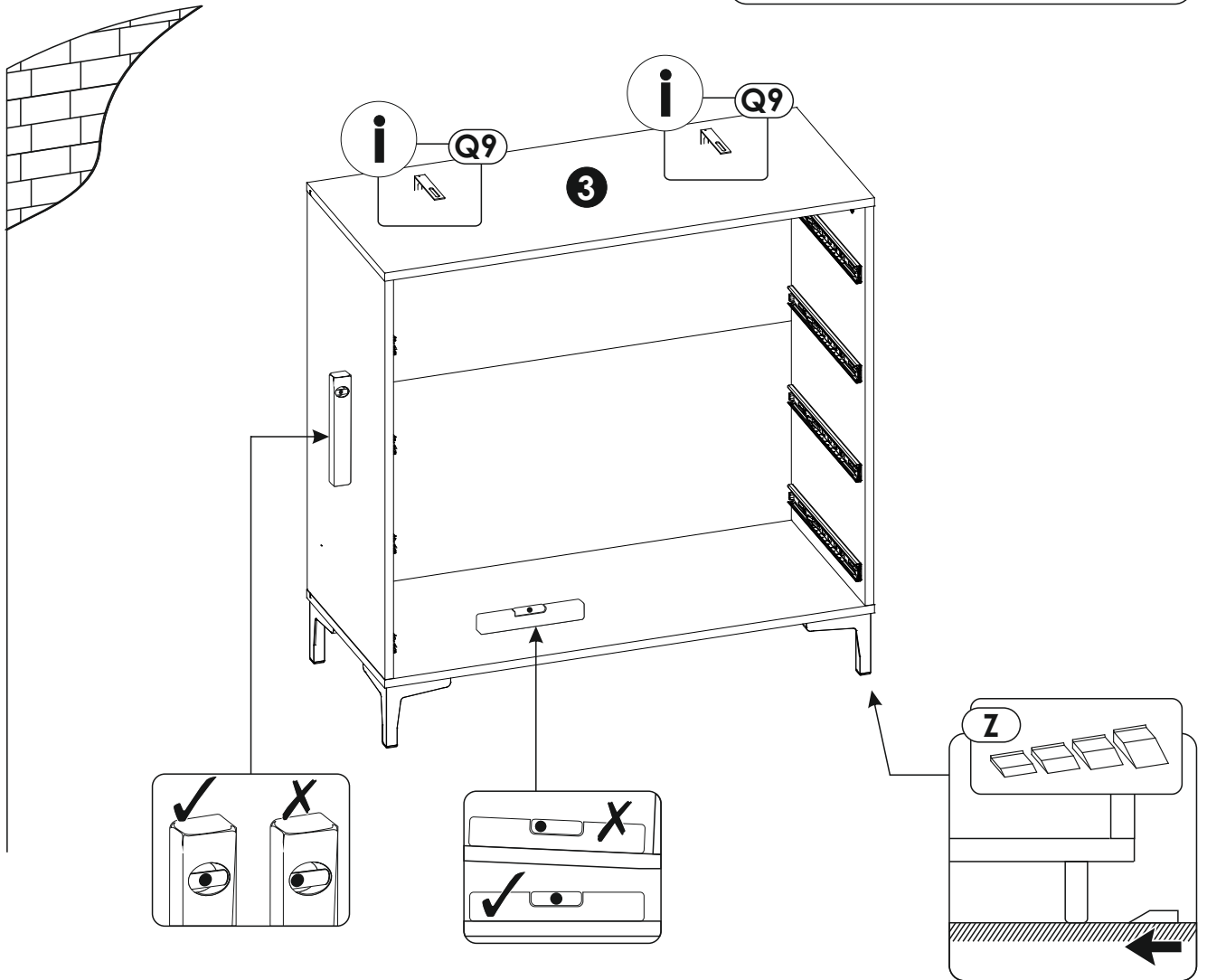
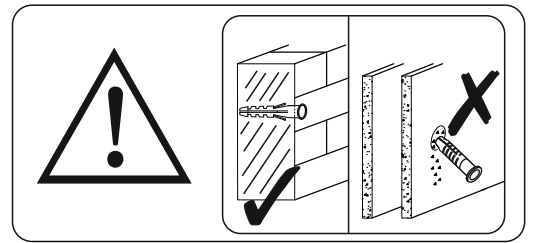
11 ▶

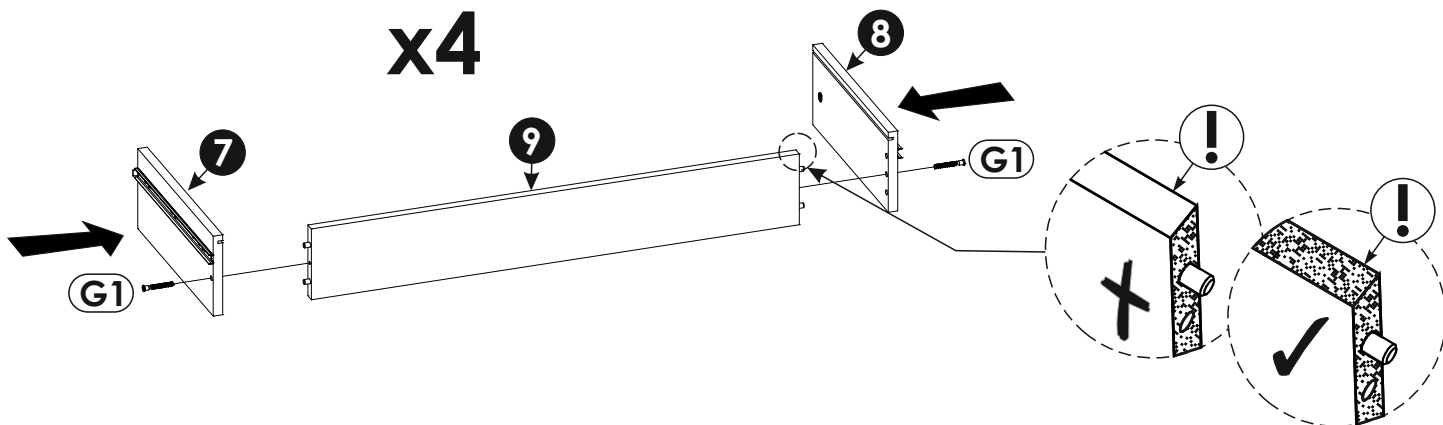
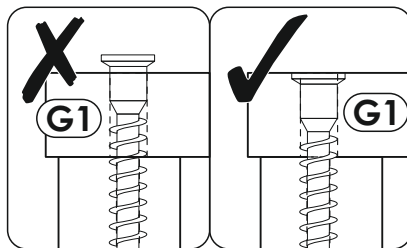
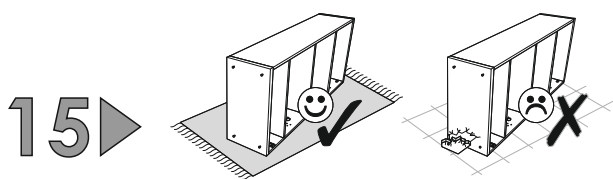
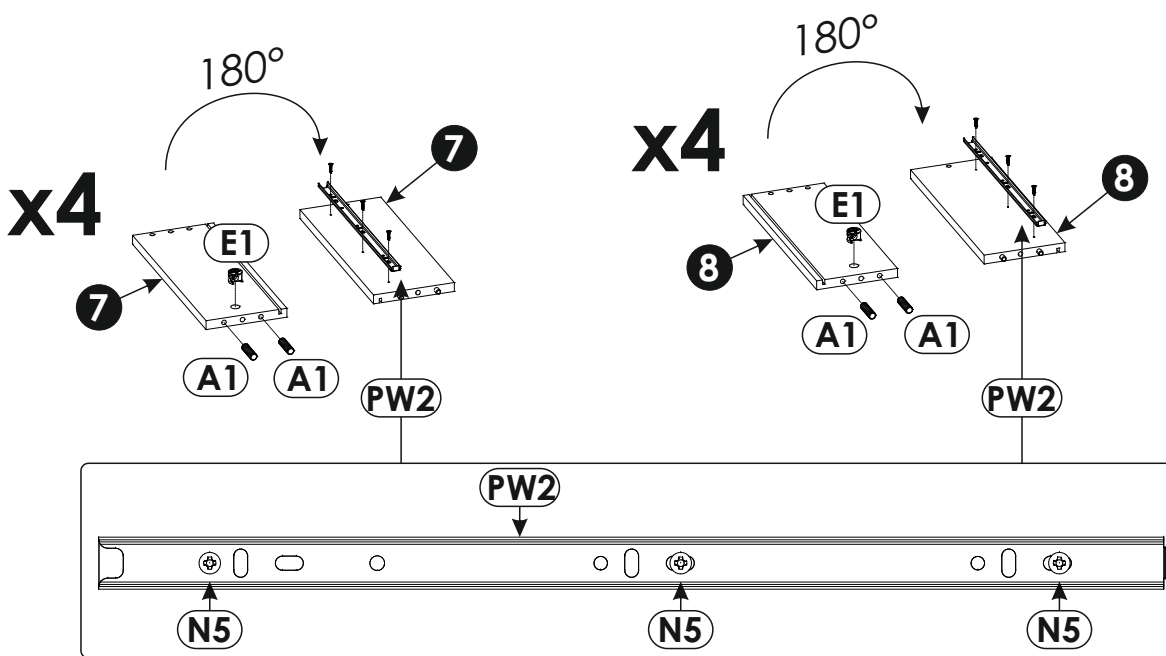
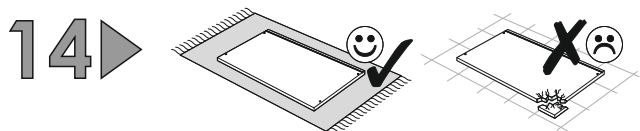
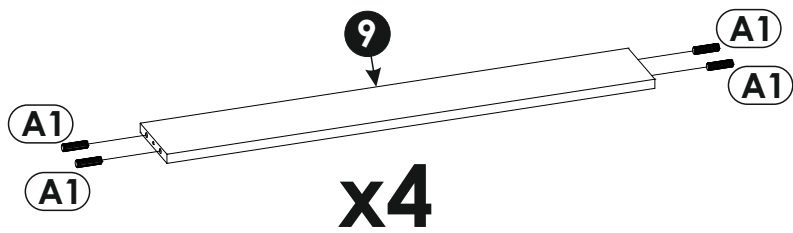
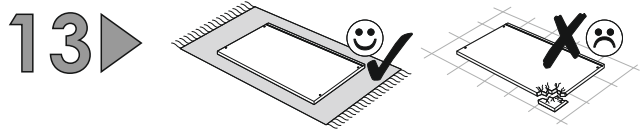


x8

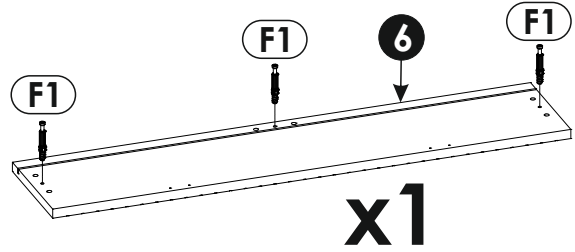
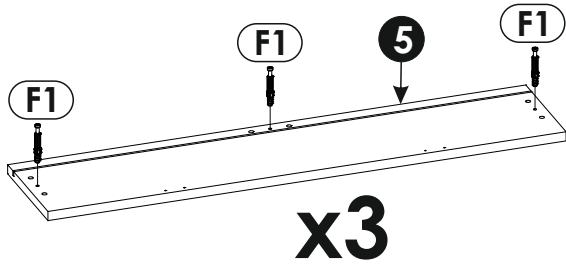
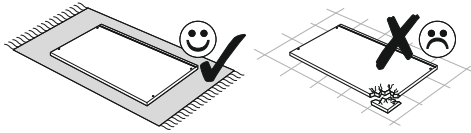


12▶

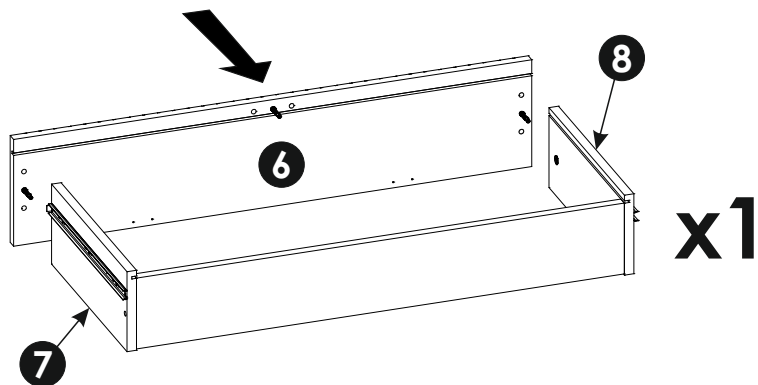
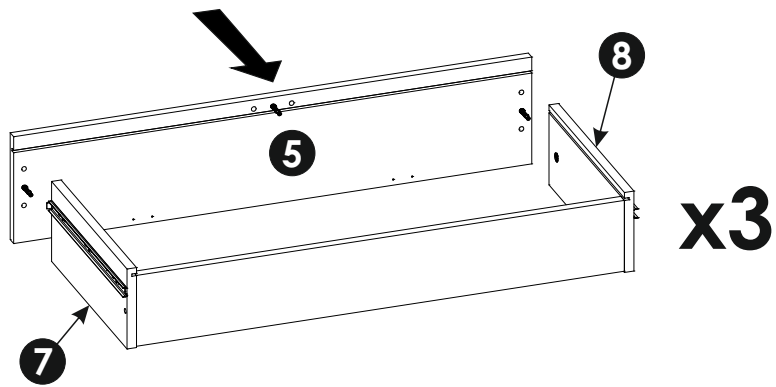
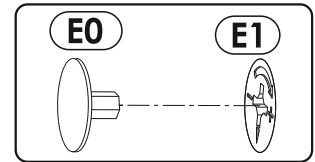
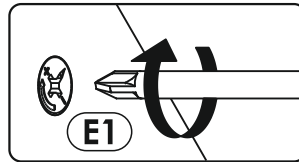
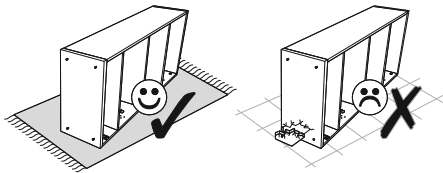


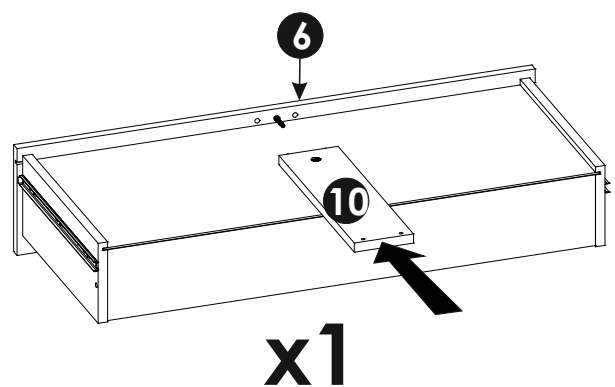
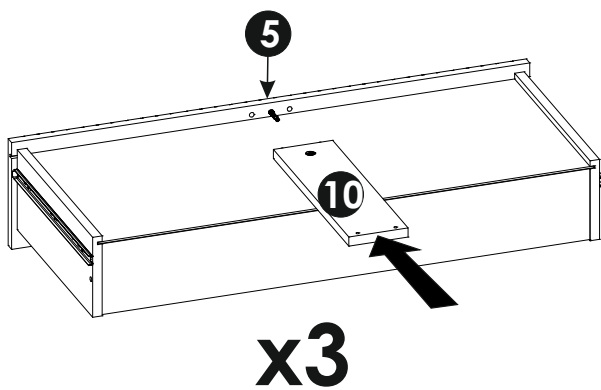
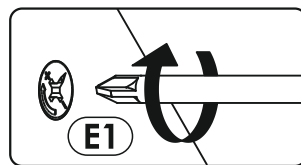
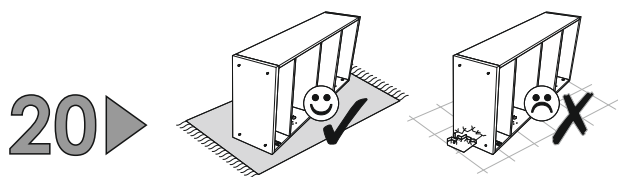
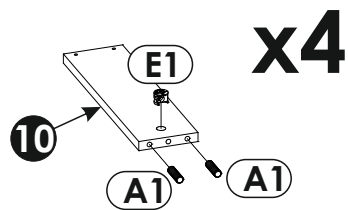
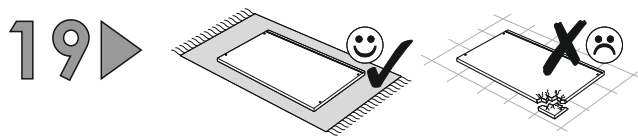
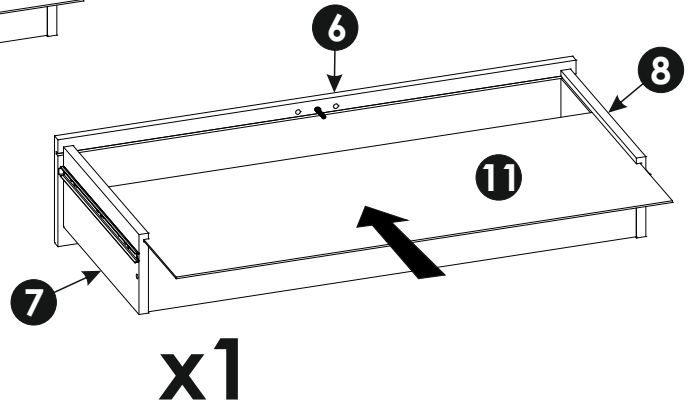
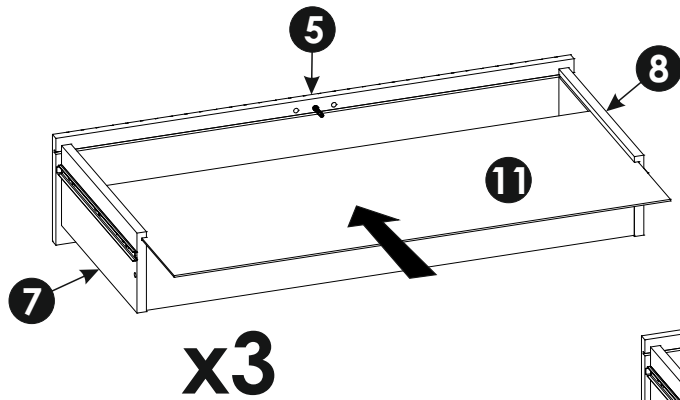
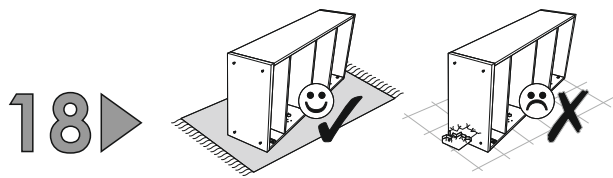


16 ▶

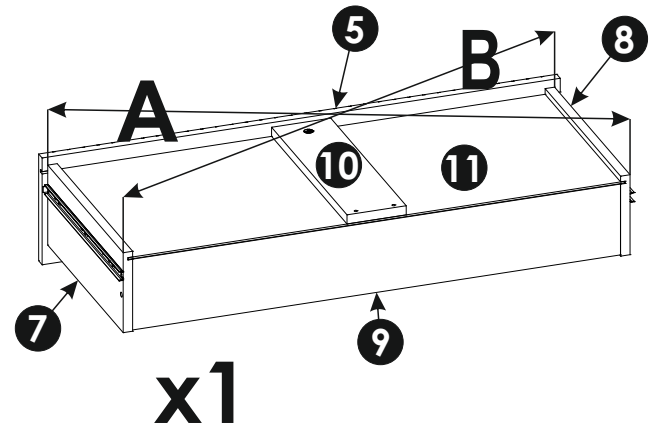
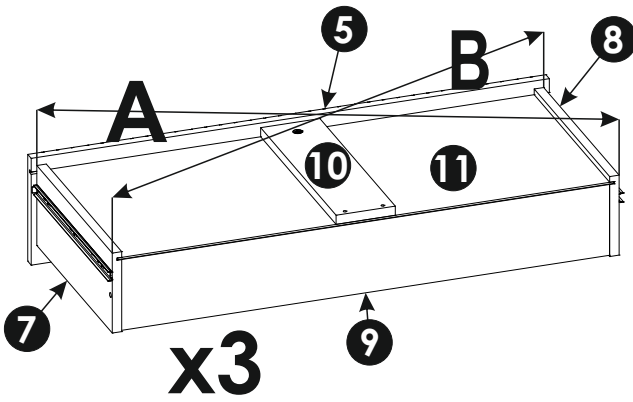
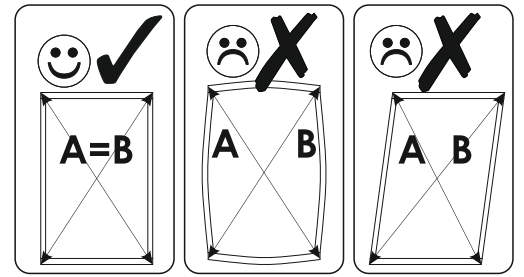
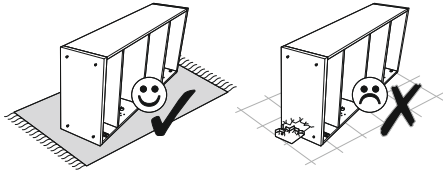


17 ▶

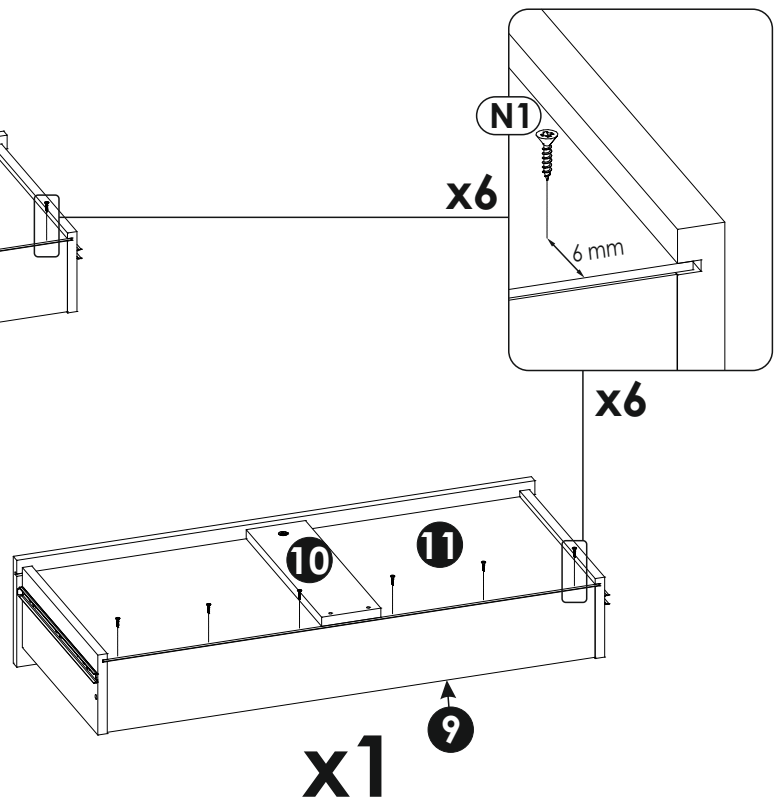
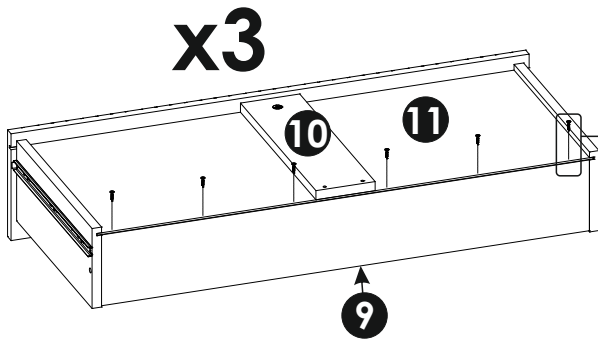
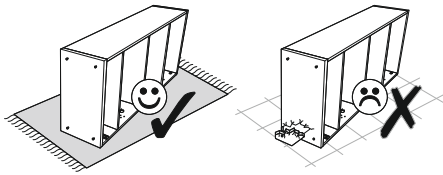




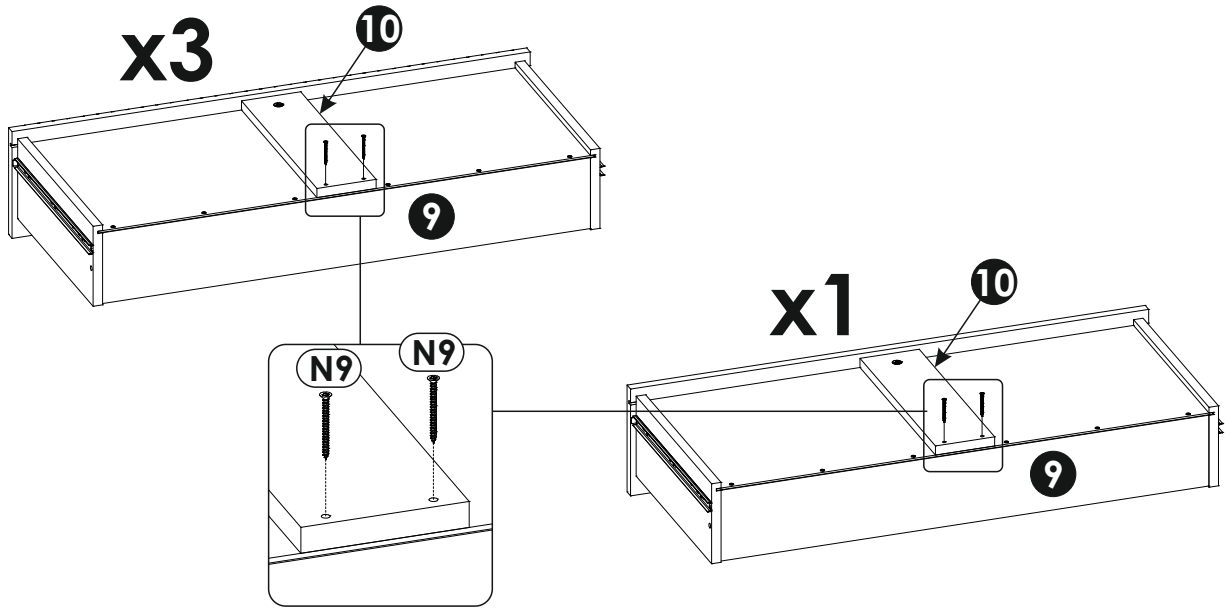
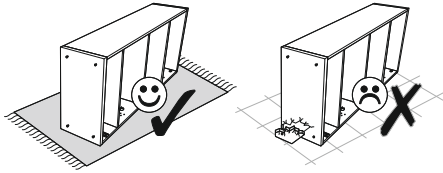
21 ▶



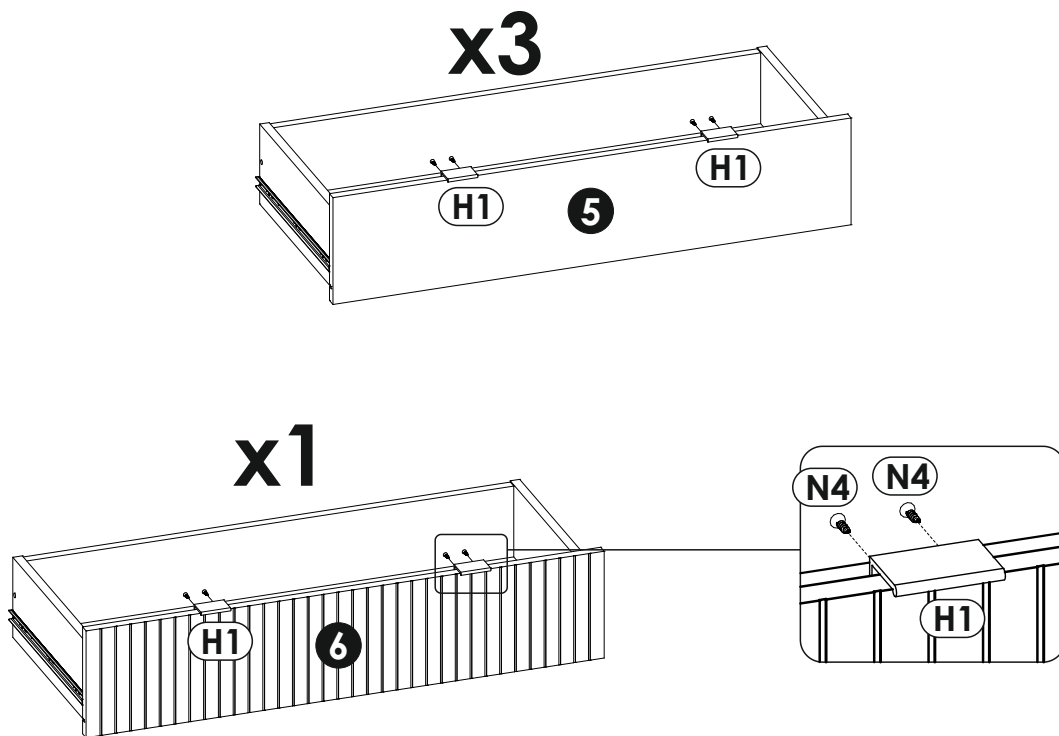
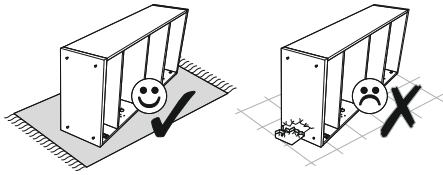
22 ▶



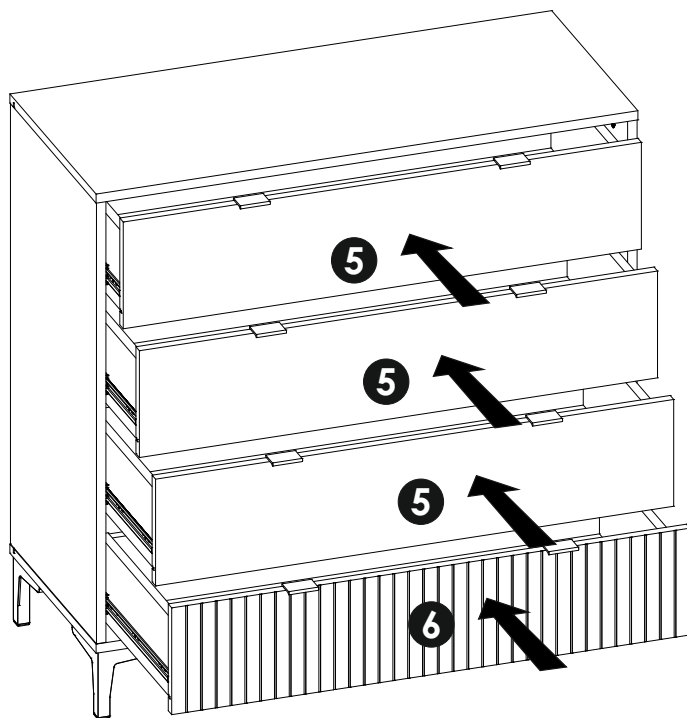
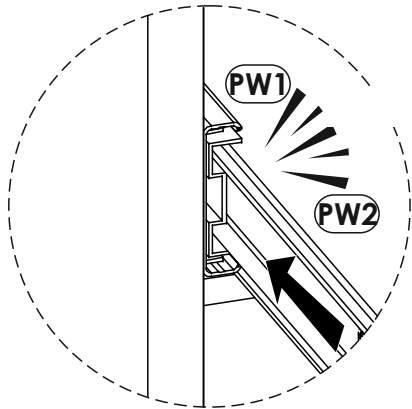
23 ▶



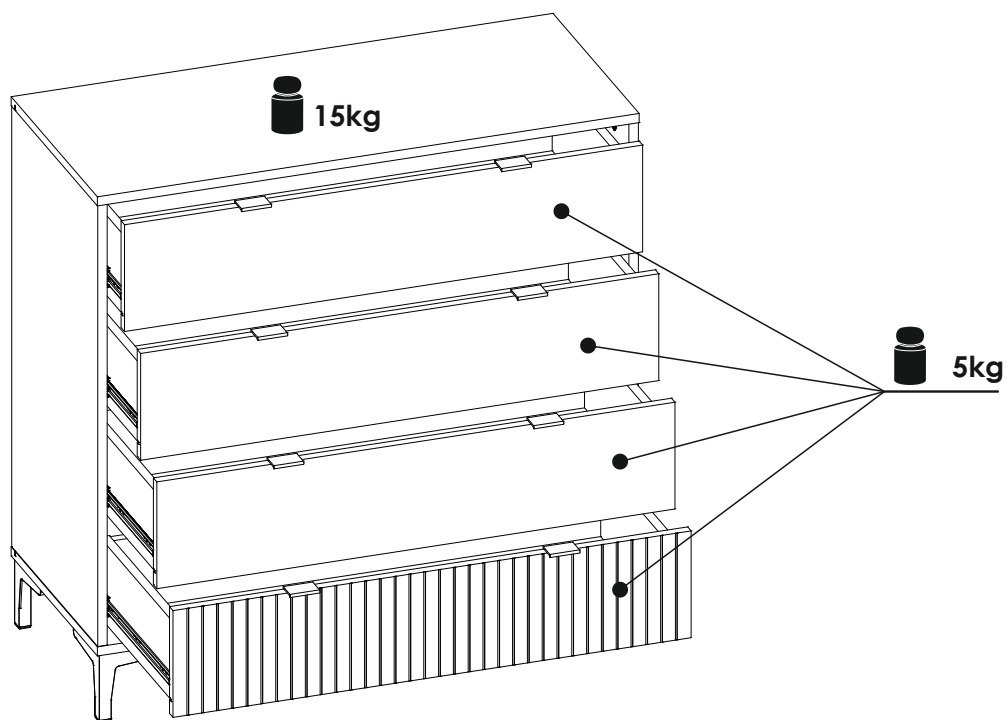
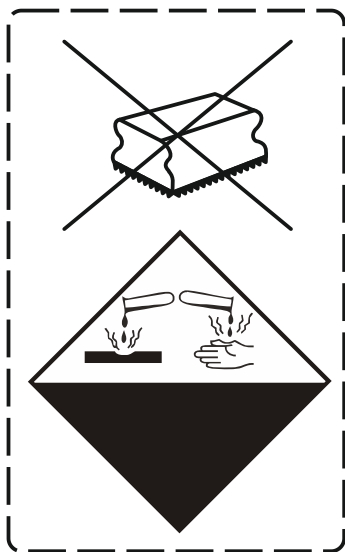
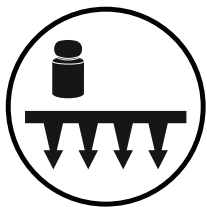
24 ▶

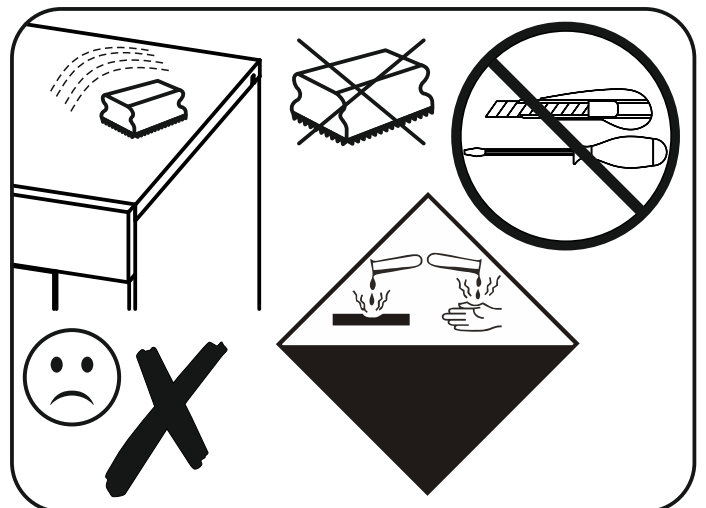
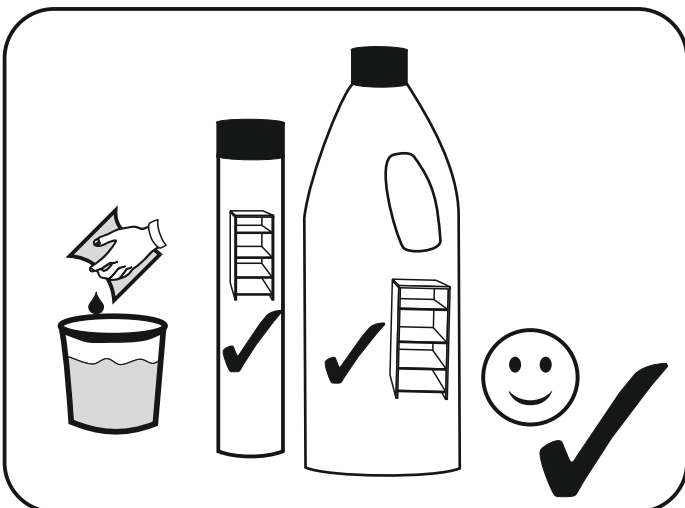
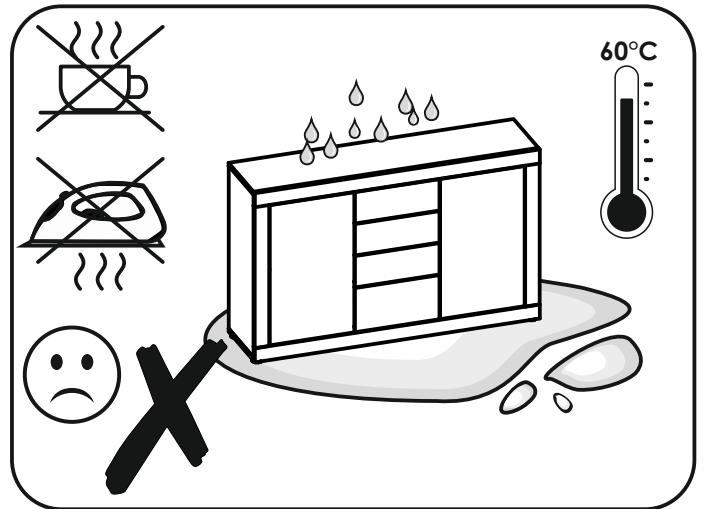
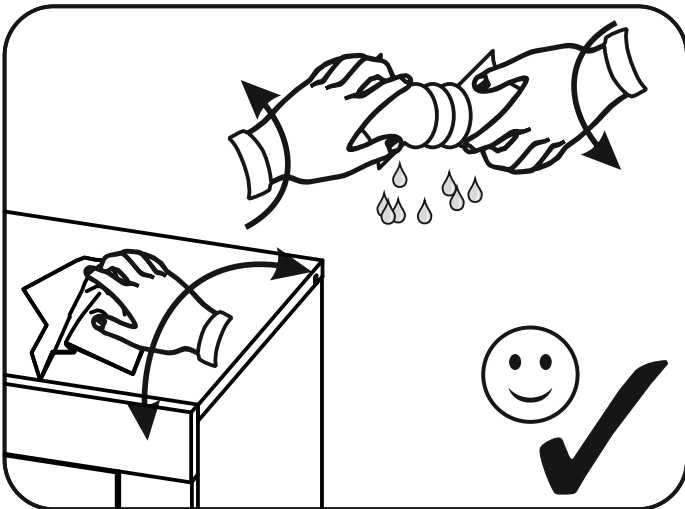
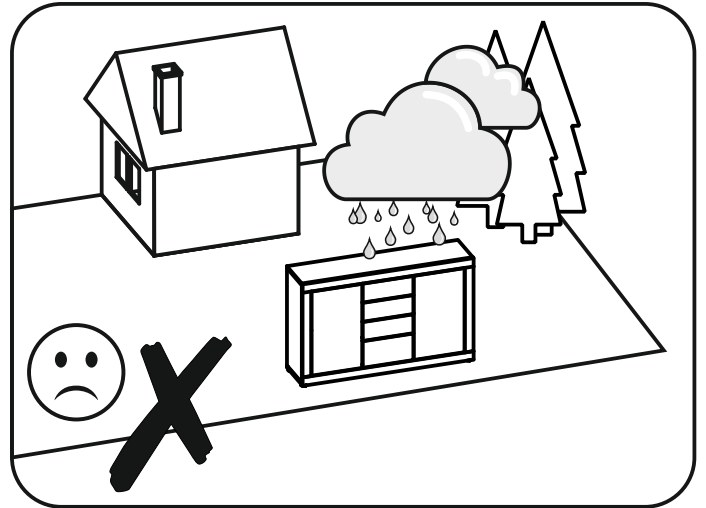
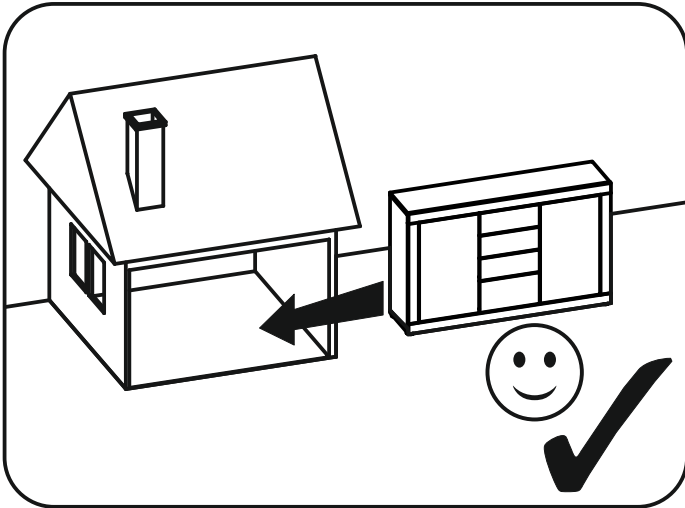
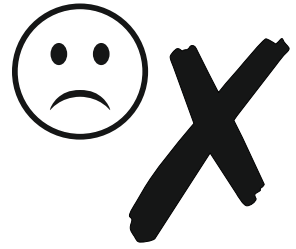


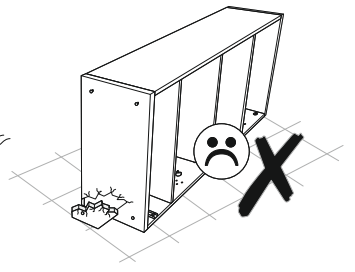
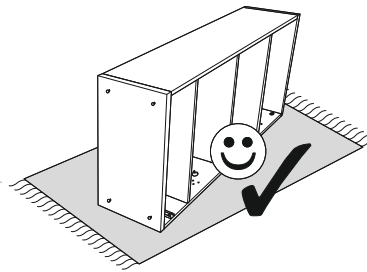
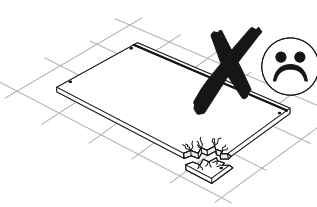
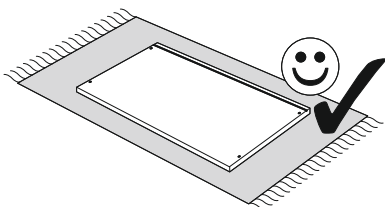
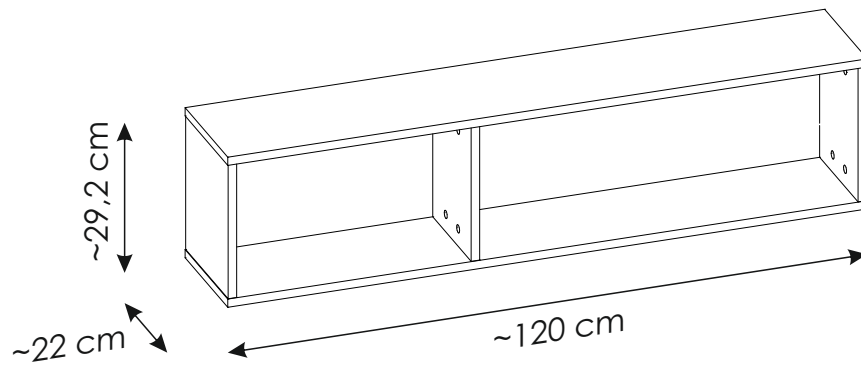
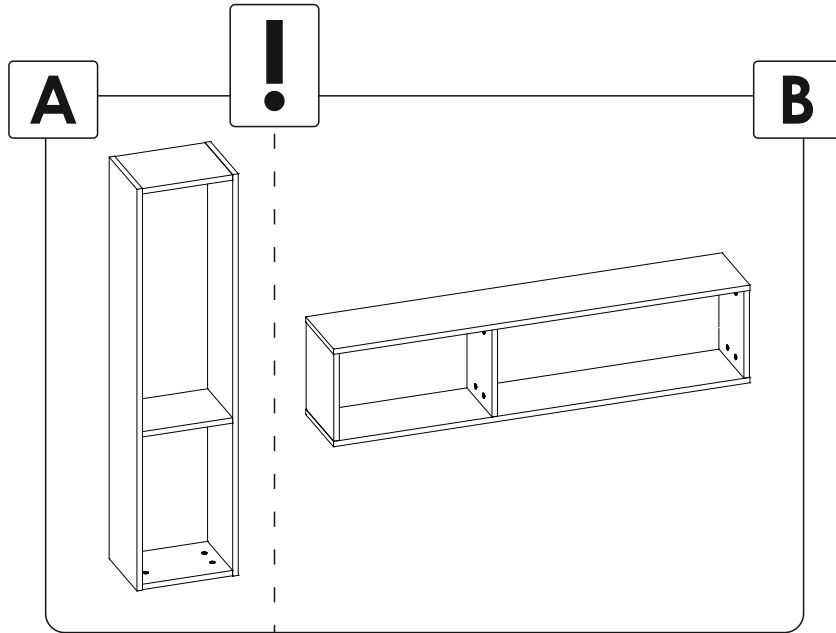
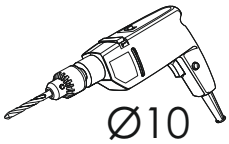
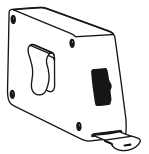
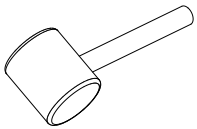
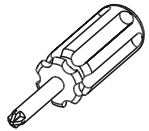
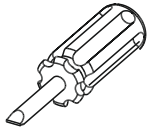
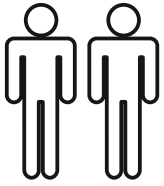
25▶

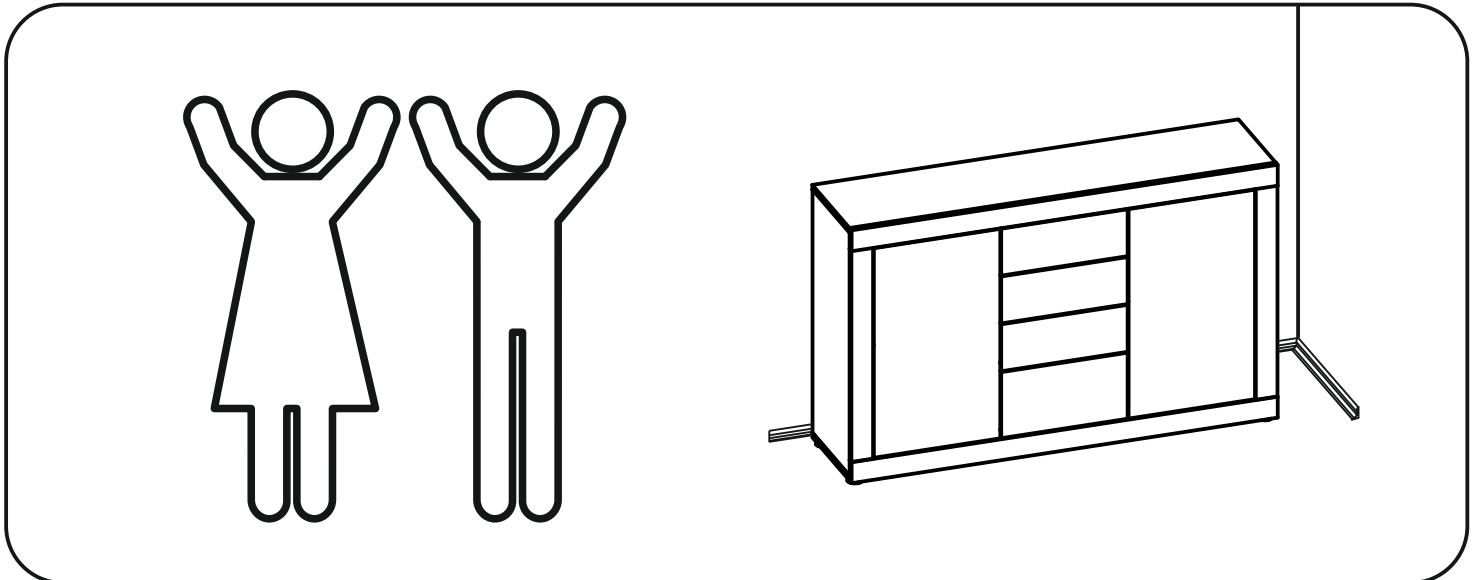
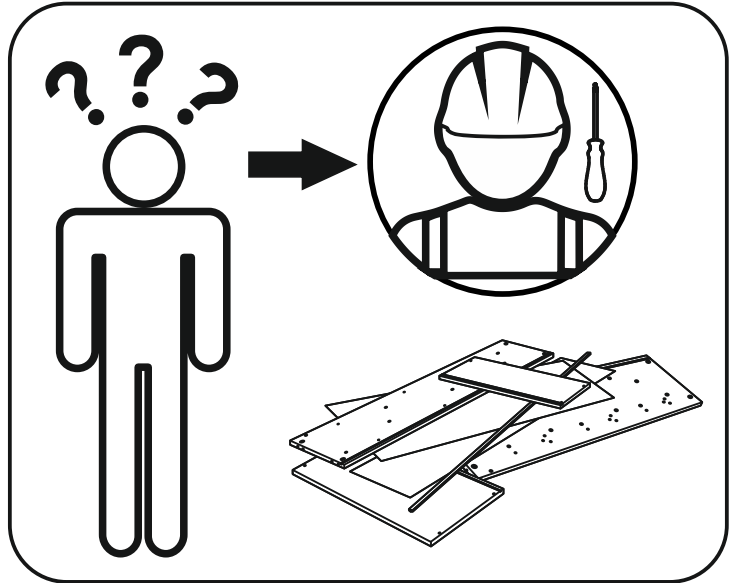
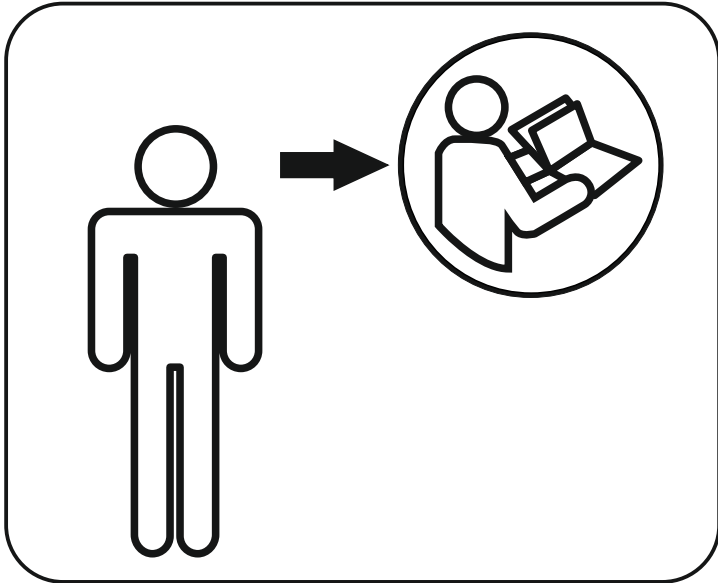
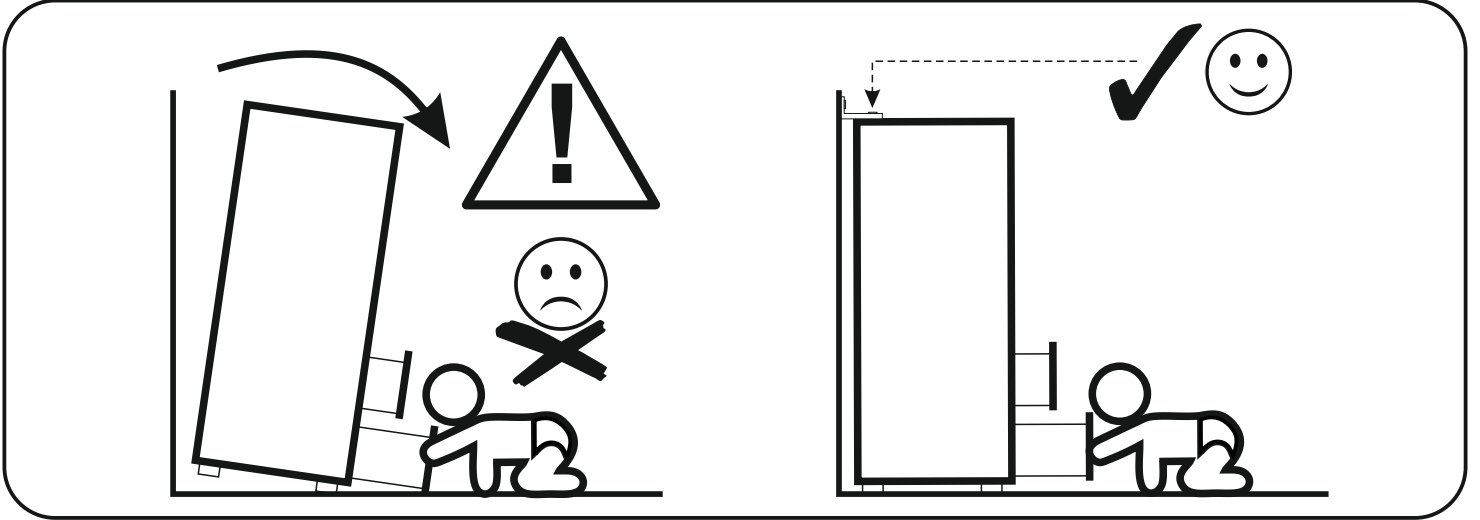
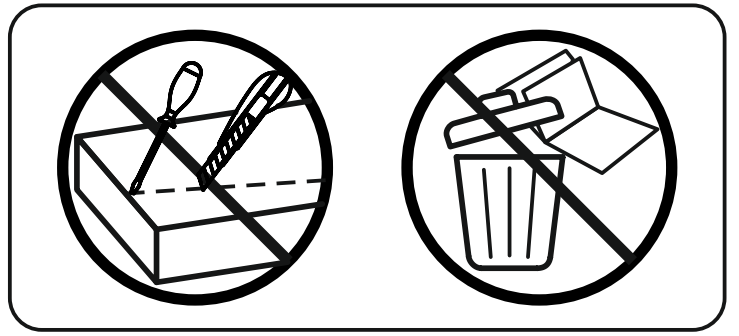
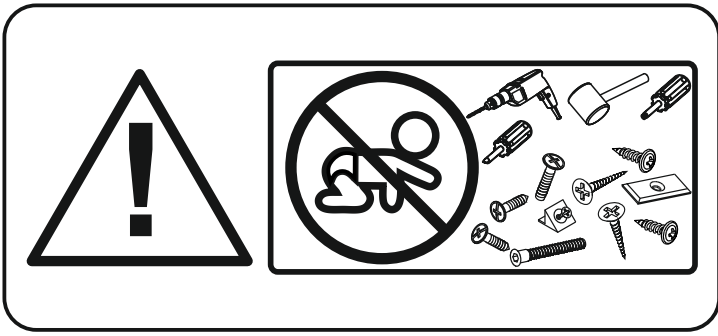



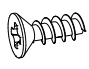
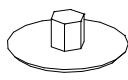

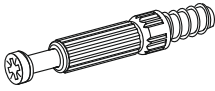

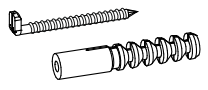
26▶

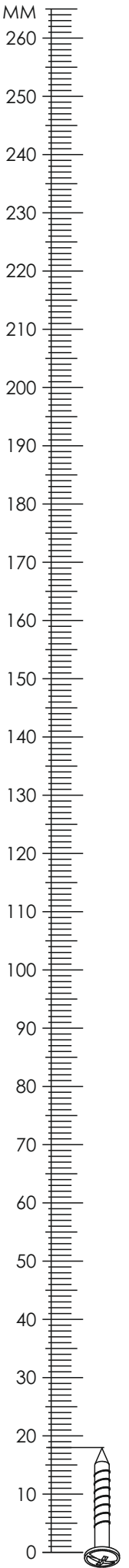


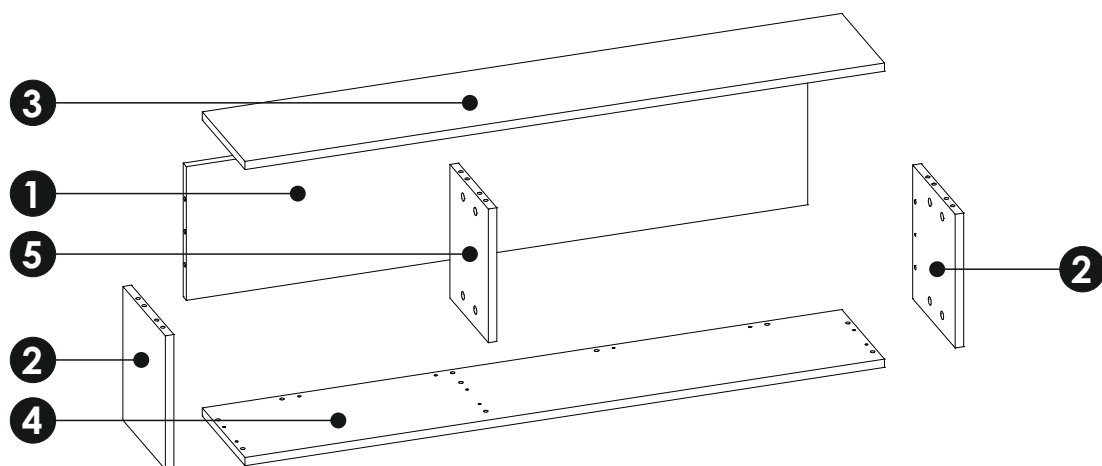
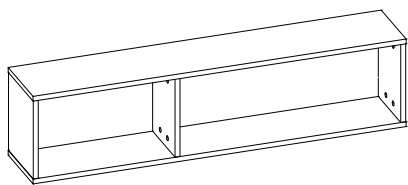




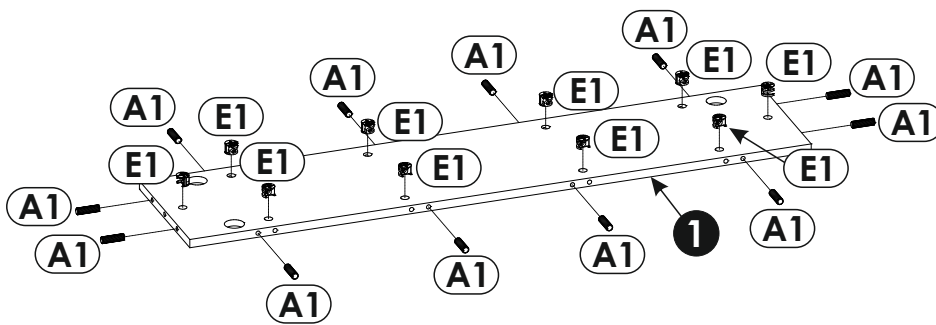
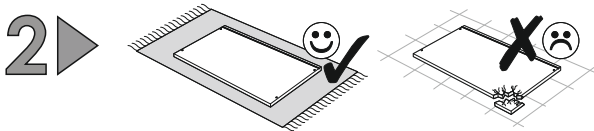
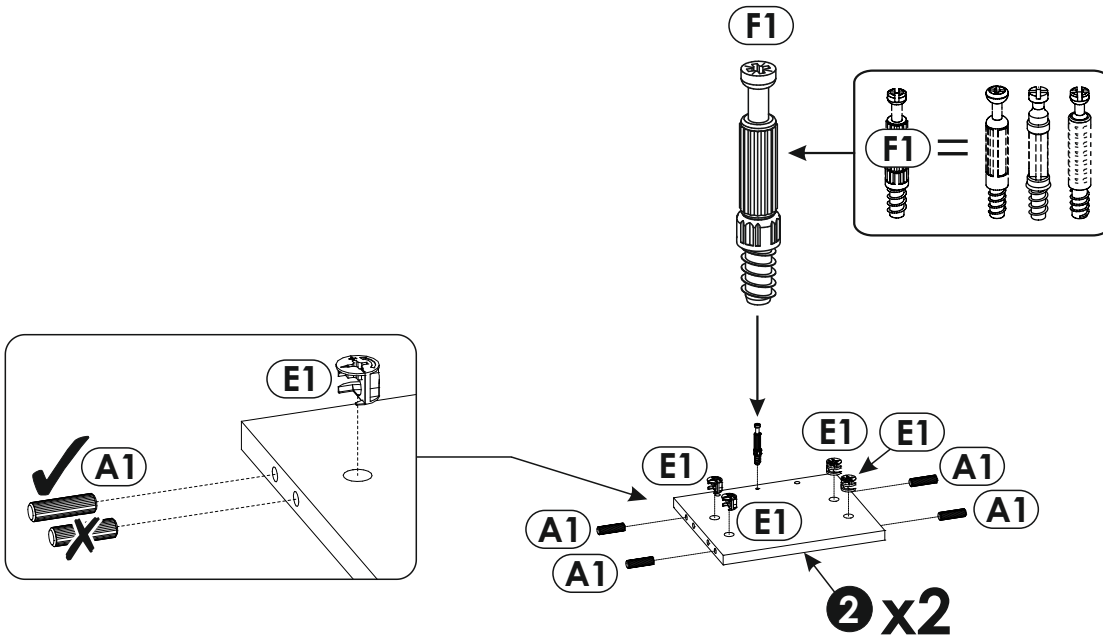
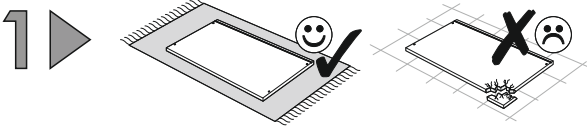
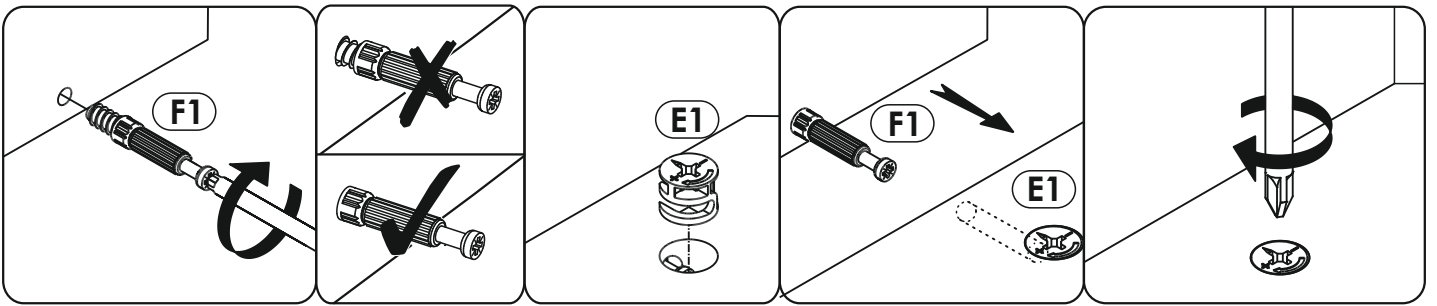


A1 8 x 35 mm x24 	C2 5 x 13 mm x4 	E0 Ø16 x12 
E1 15 x 12 mm x22 	F1 6 x 34 mm x22 	P1 x2 
Y2 x2  Ø10		

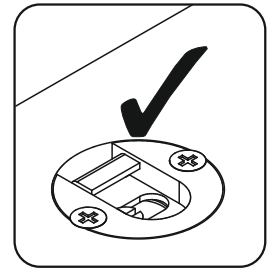
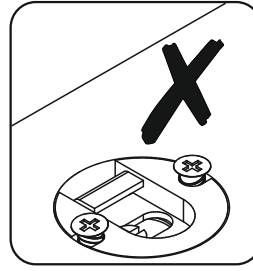
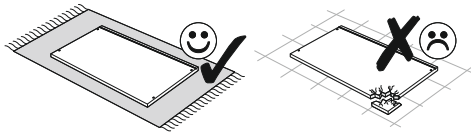




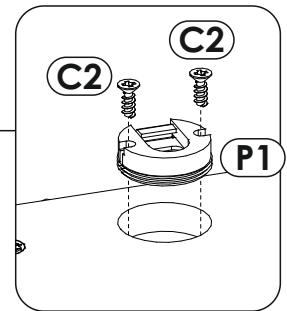
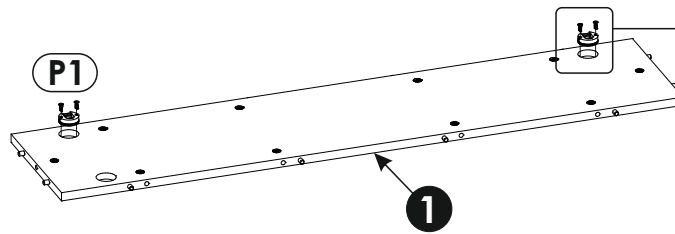
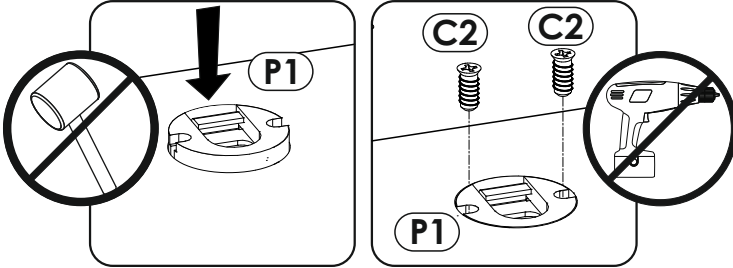
1	1166	260	16	x1	1/1
2	260	219	16	x2	1/1
3	1200	220	16	x1	1/1
4	1200	220	16	x1	1/1
5	260	198	16	x1	1/1



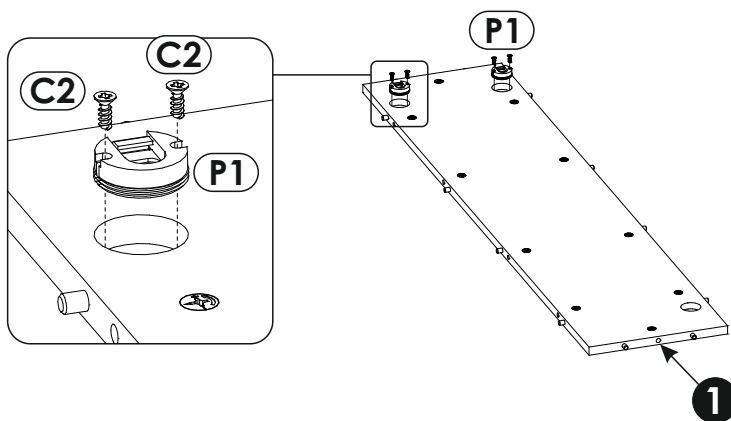
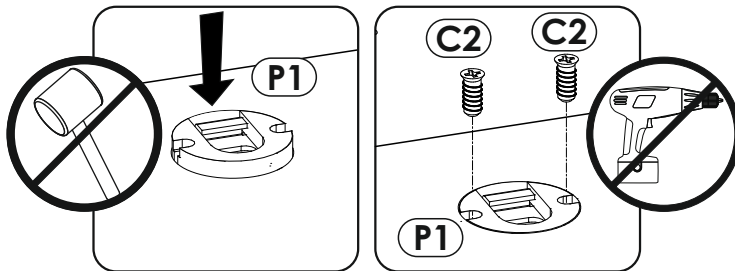
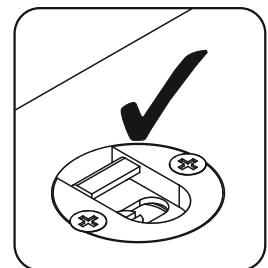
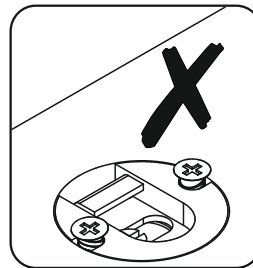
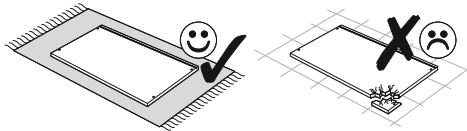
3 ▶

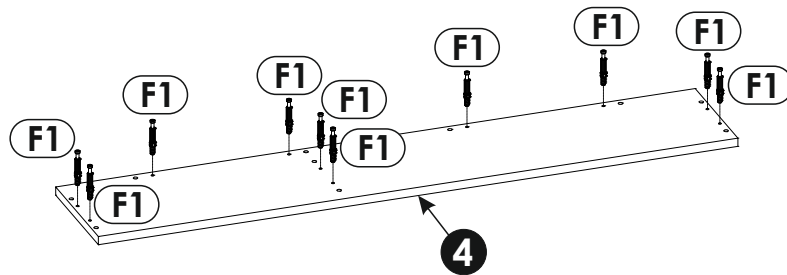
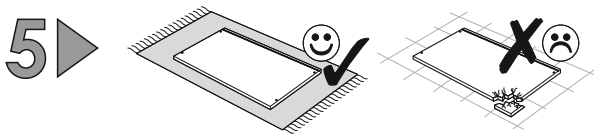
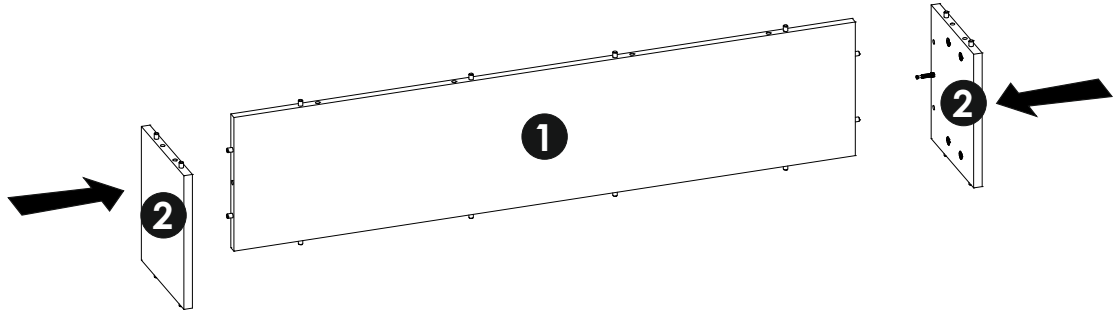
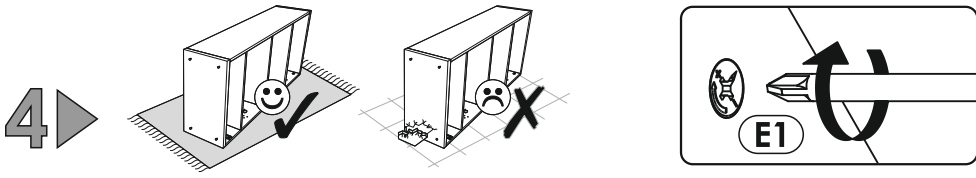


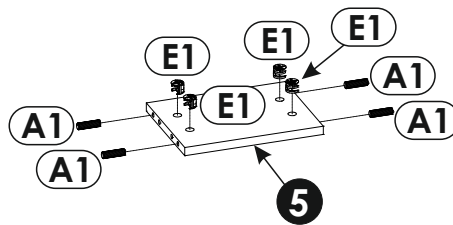
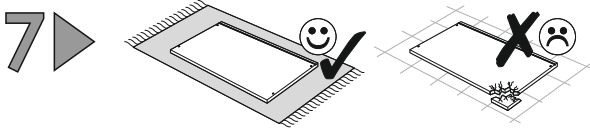
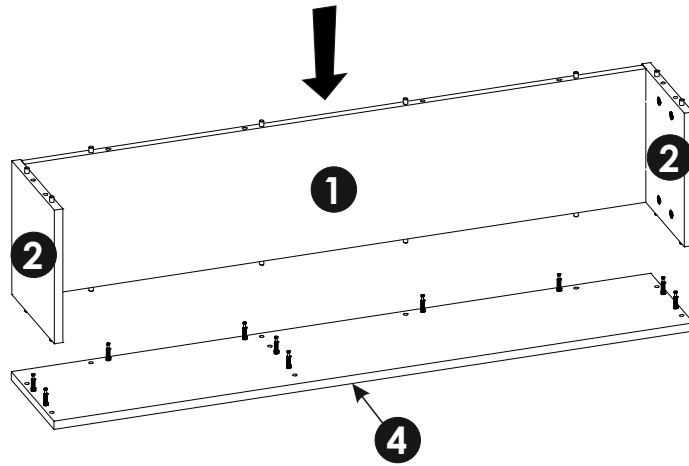
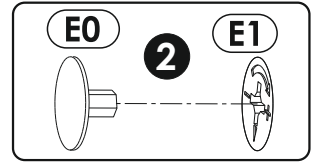
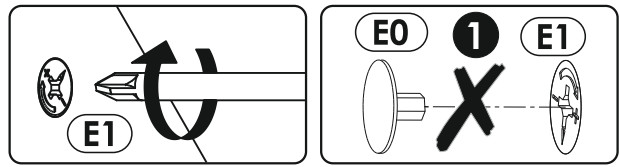
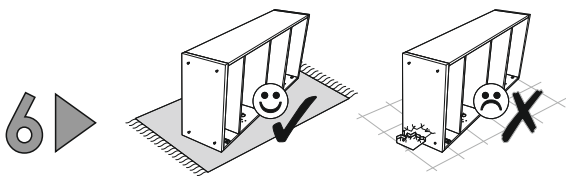
A

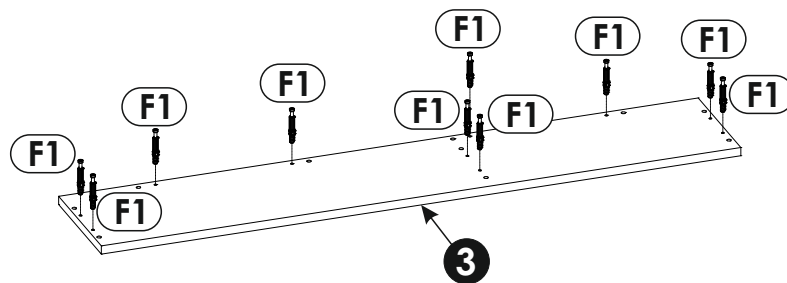
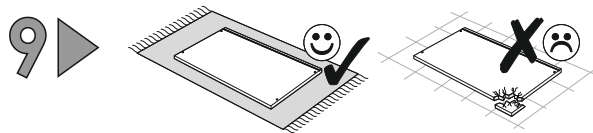
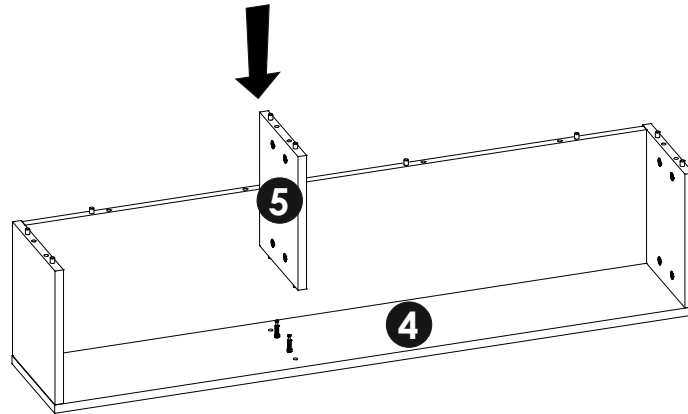
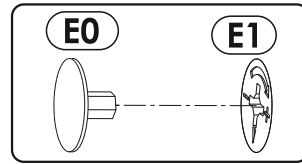
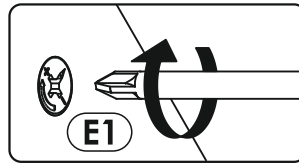
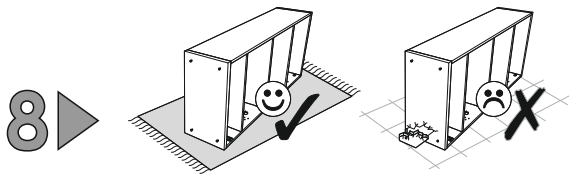


B

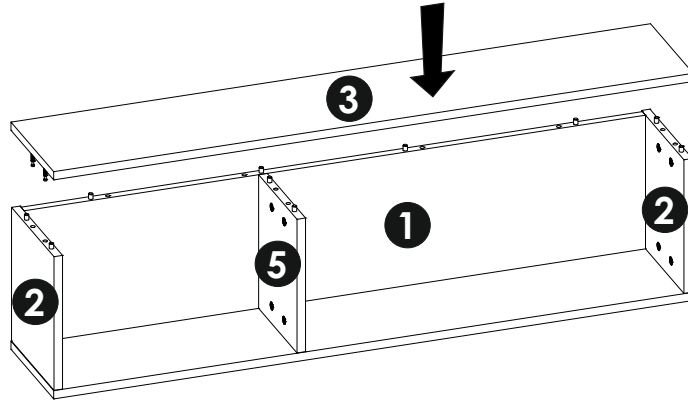
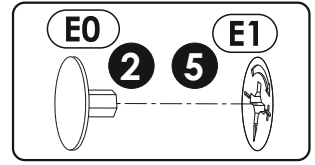
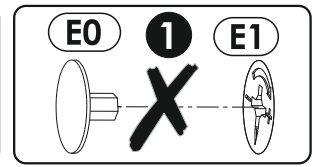
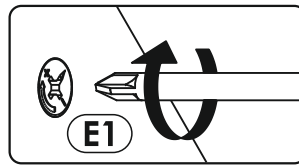
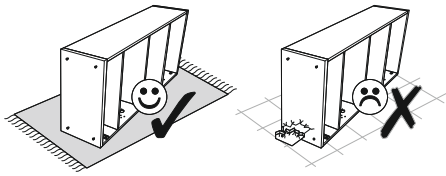




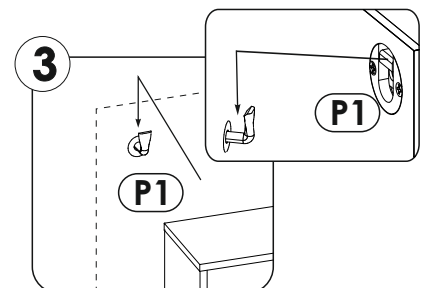
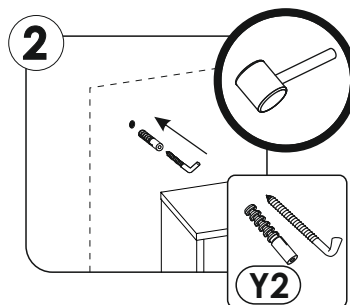
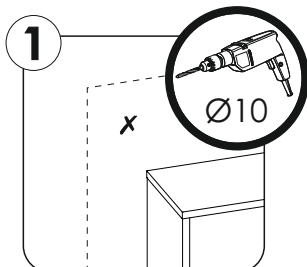
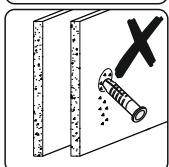
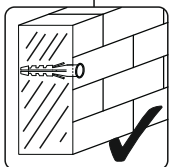
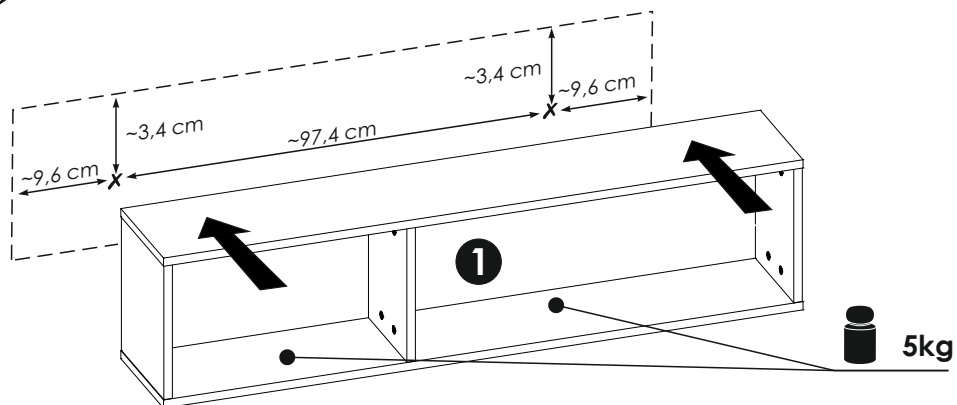
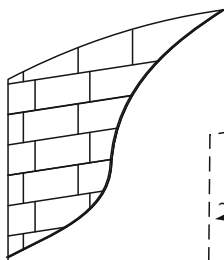
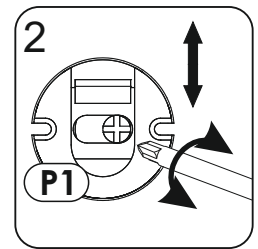
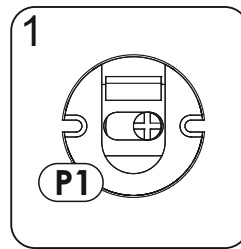
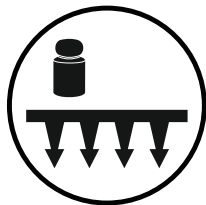


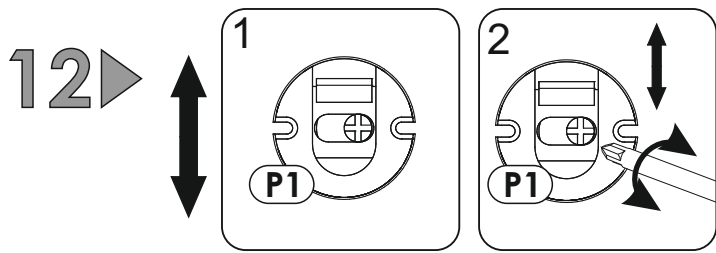


10 ▶

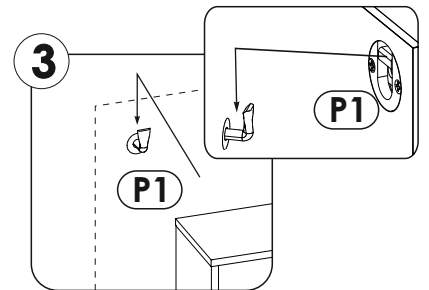
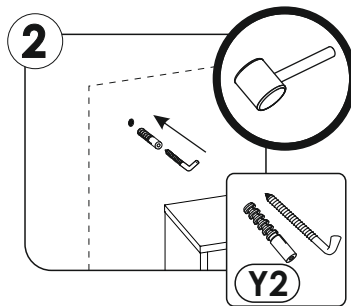
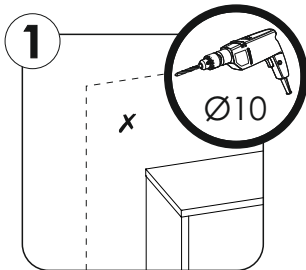
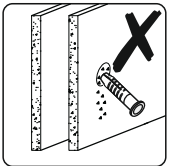
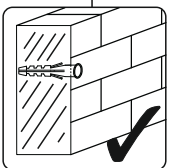
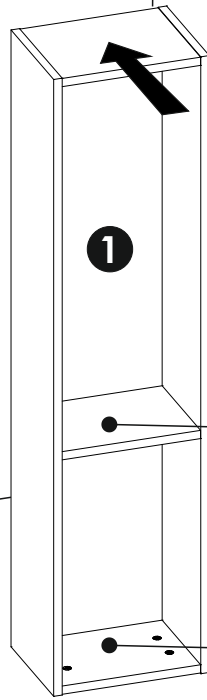
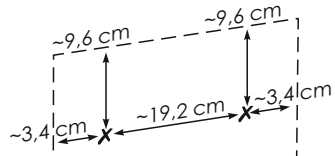
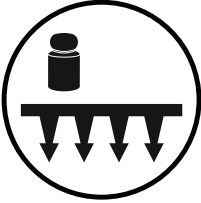


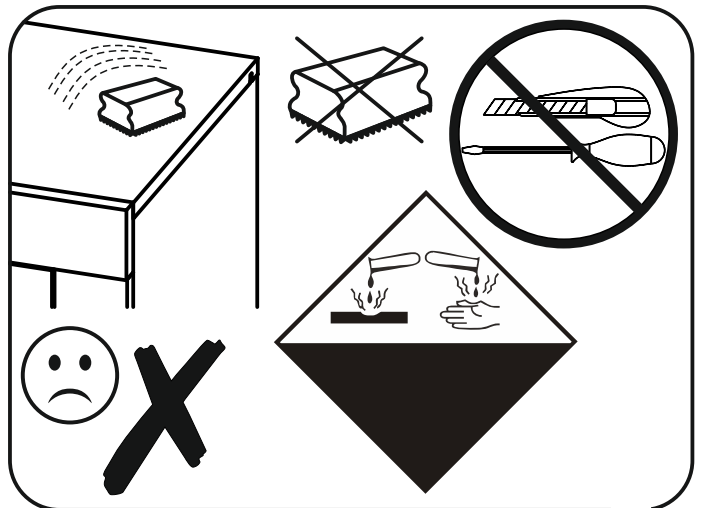
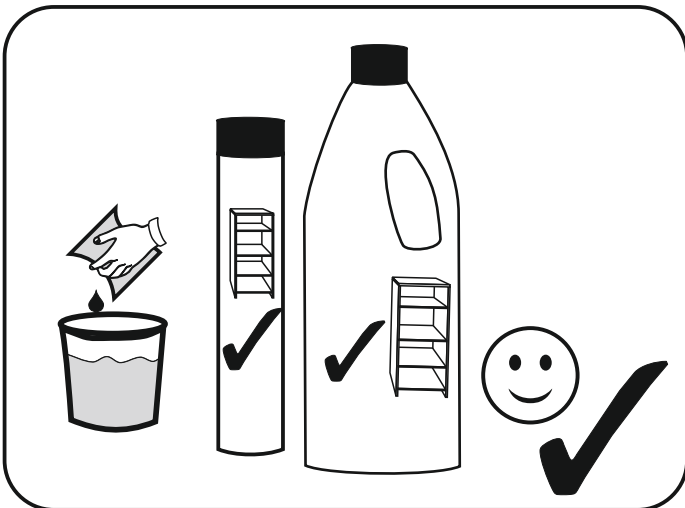
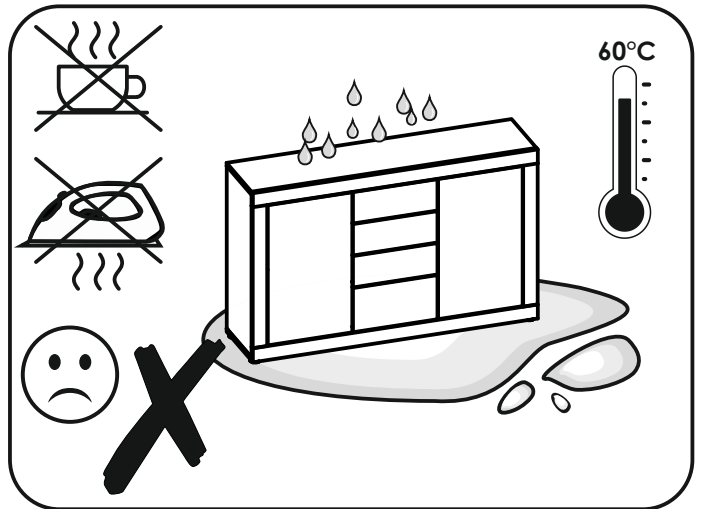
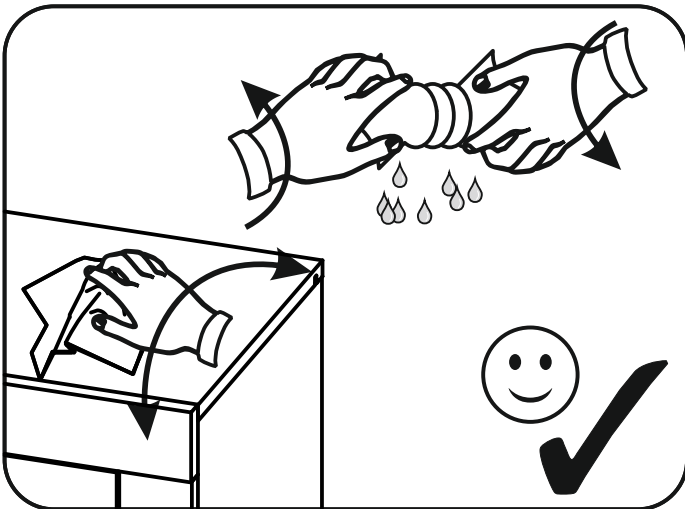
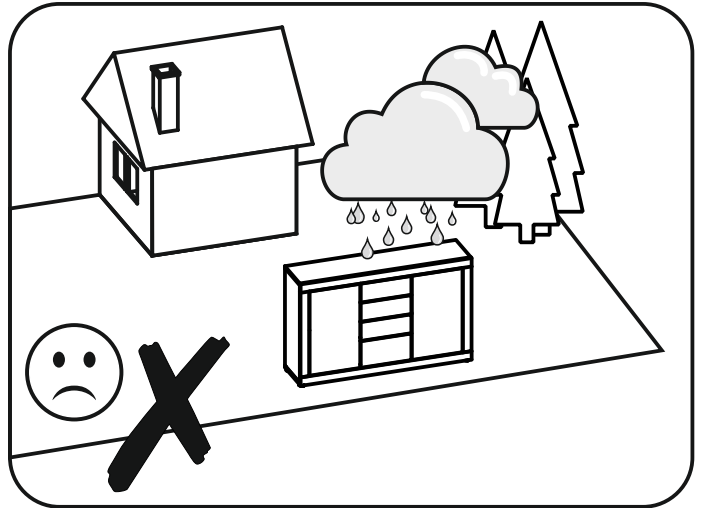
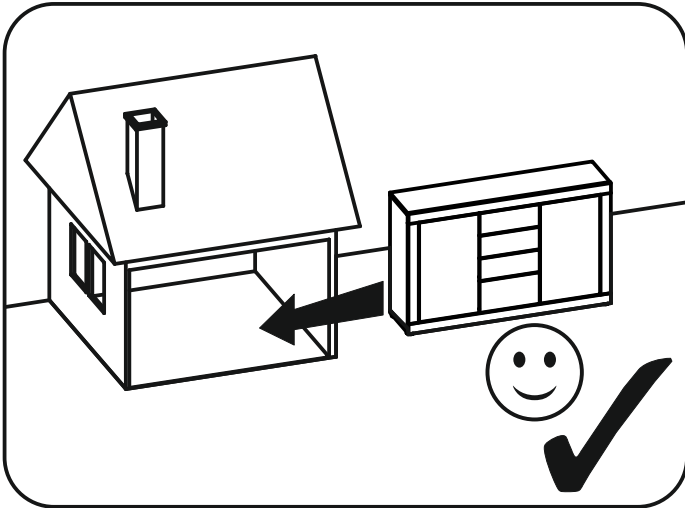
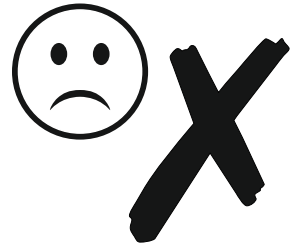
11 ▶

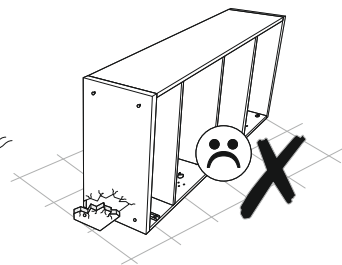
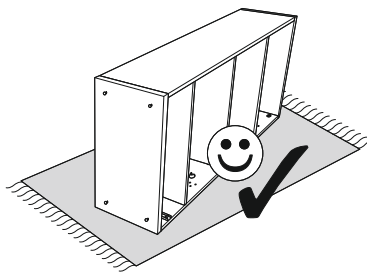
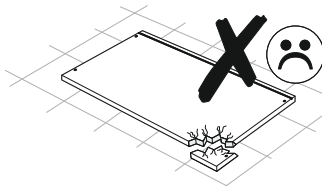
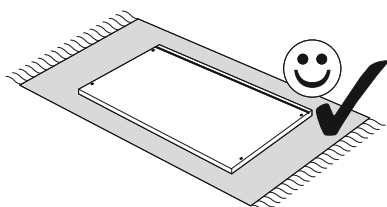
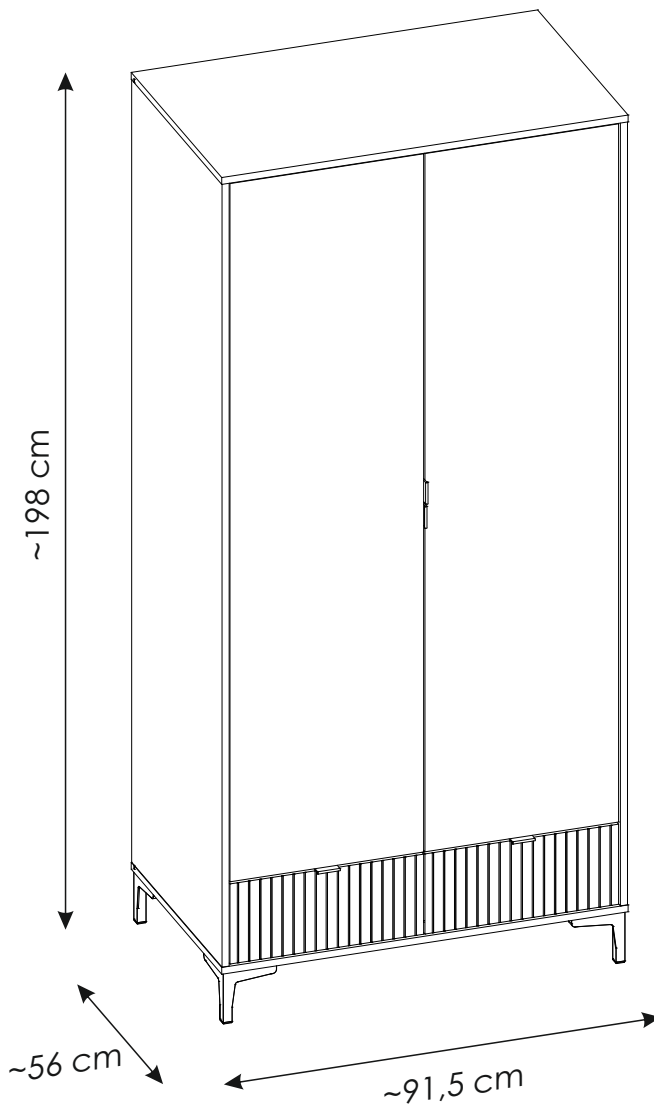
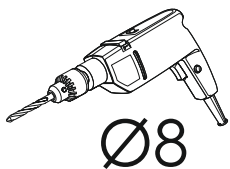
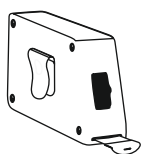
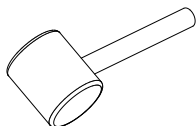
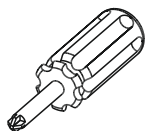
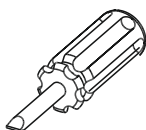
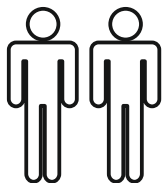




B

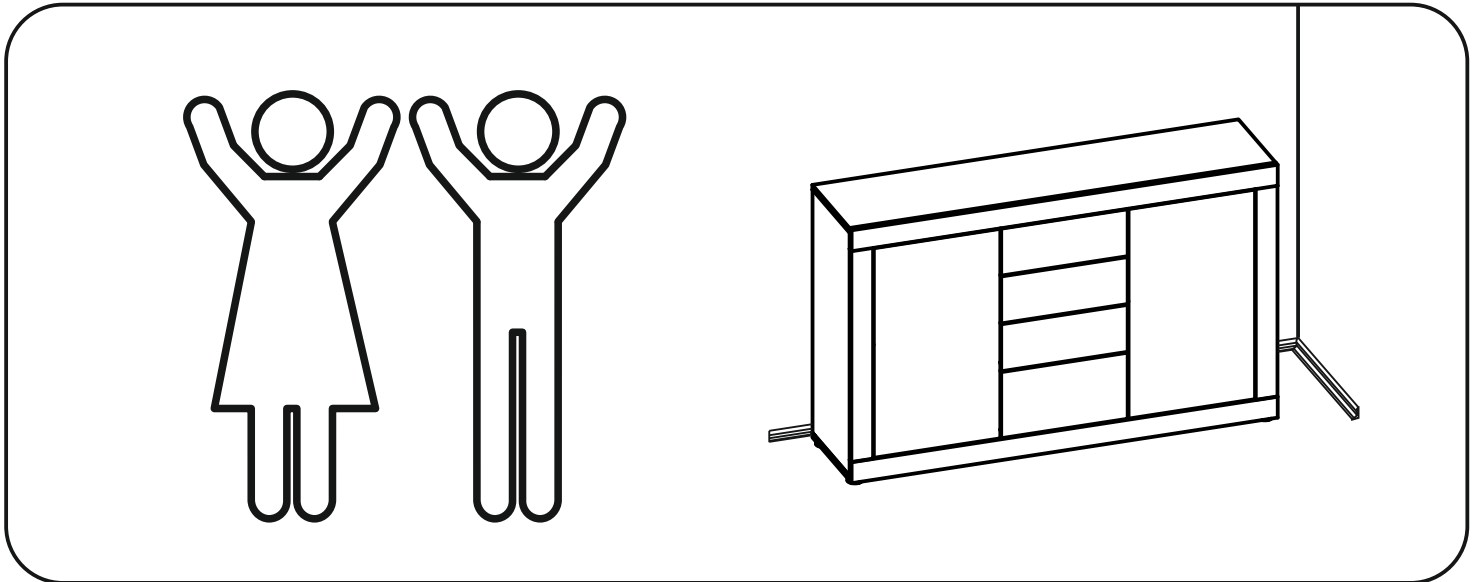
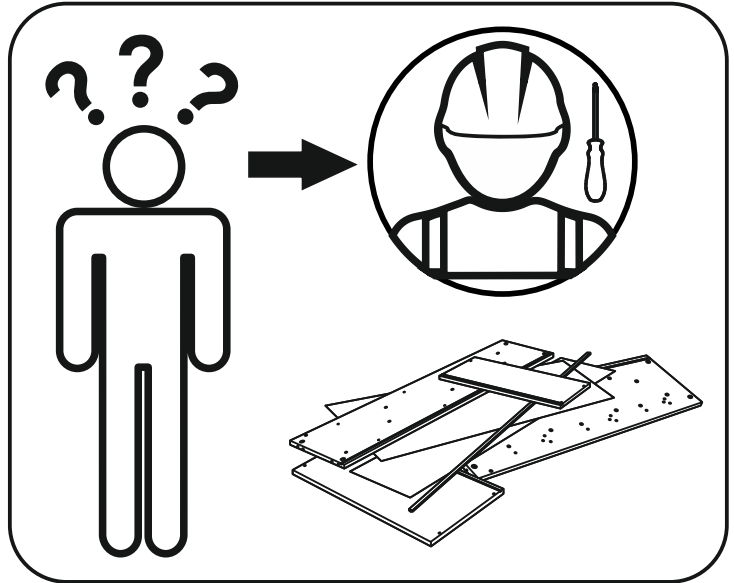
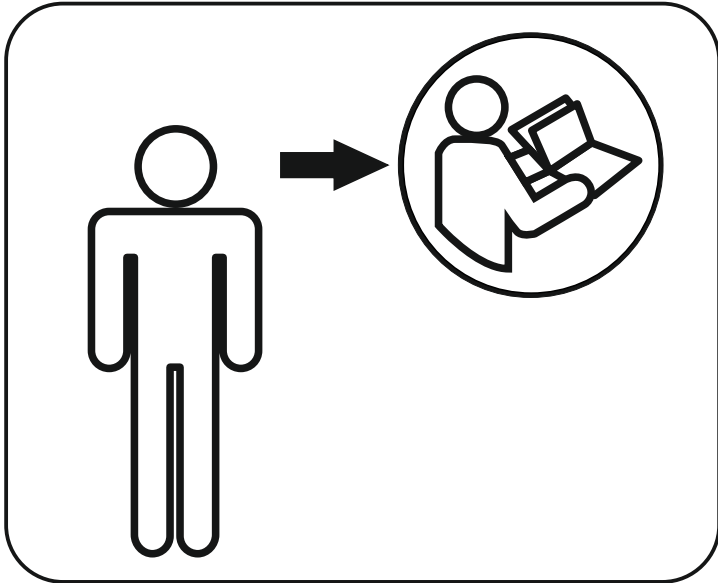
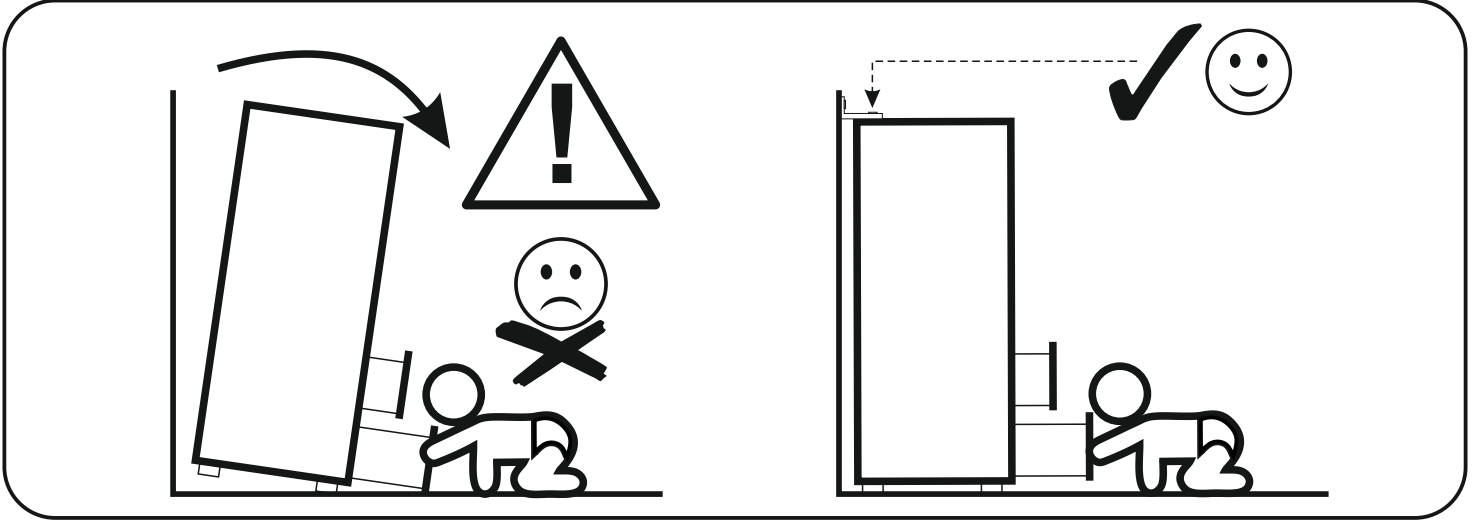
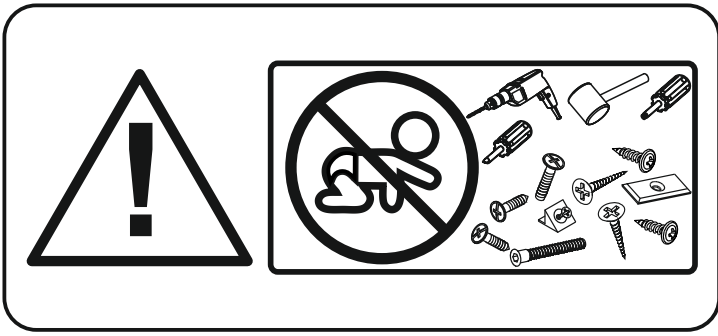


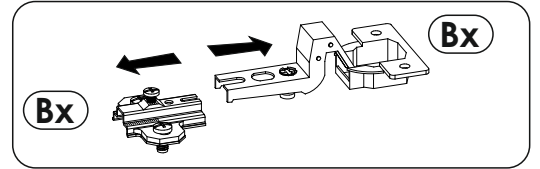
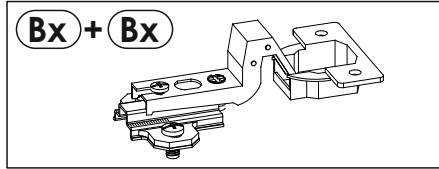
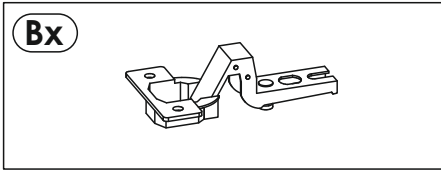
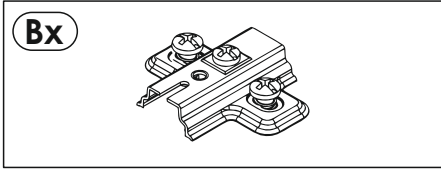


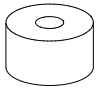
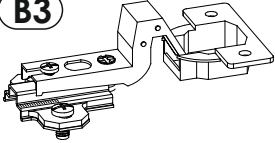

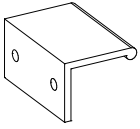
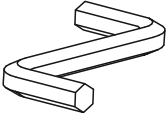
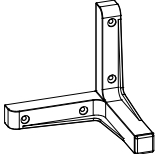
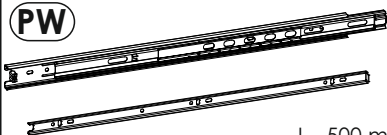
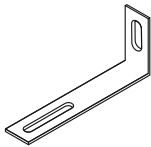
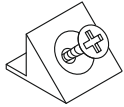
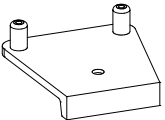
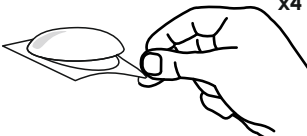
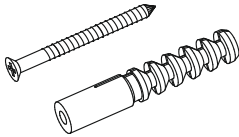
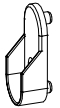
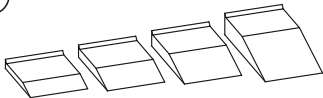


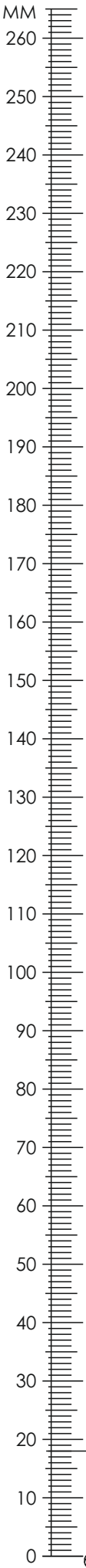
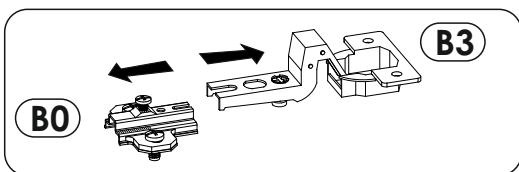
i

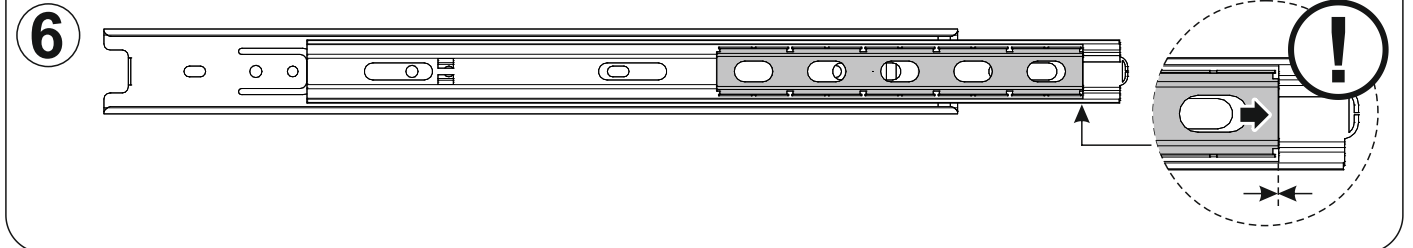
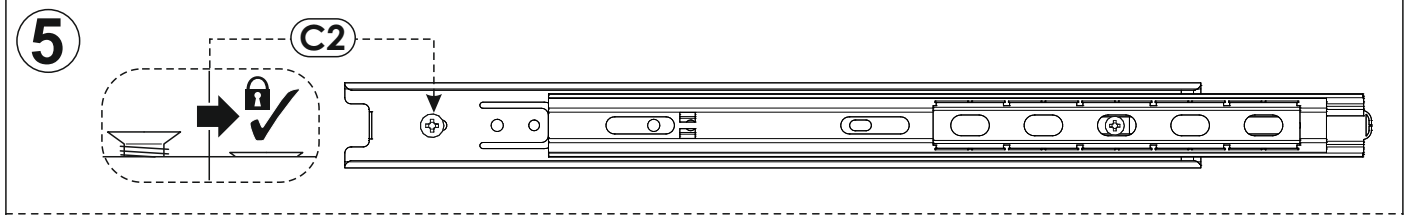
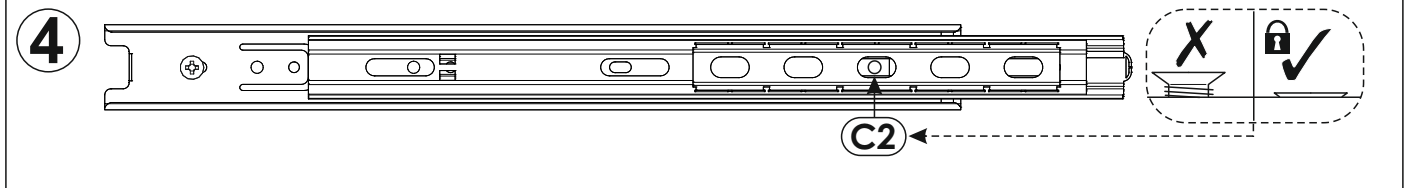
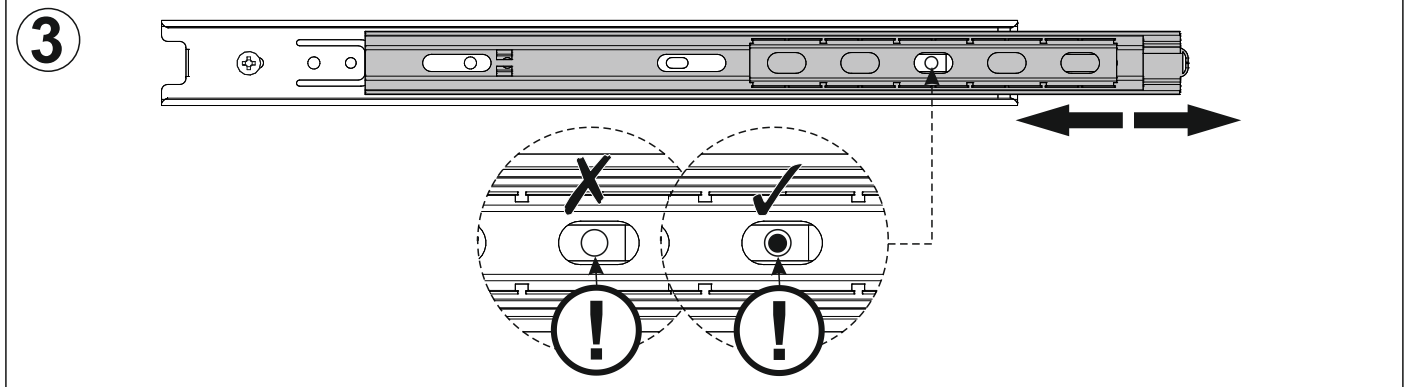
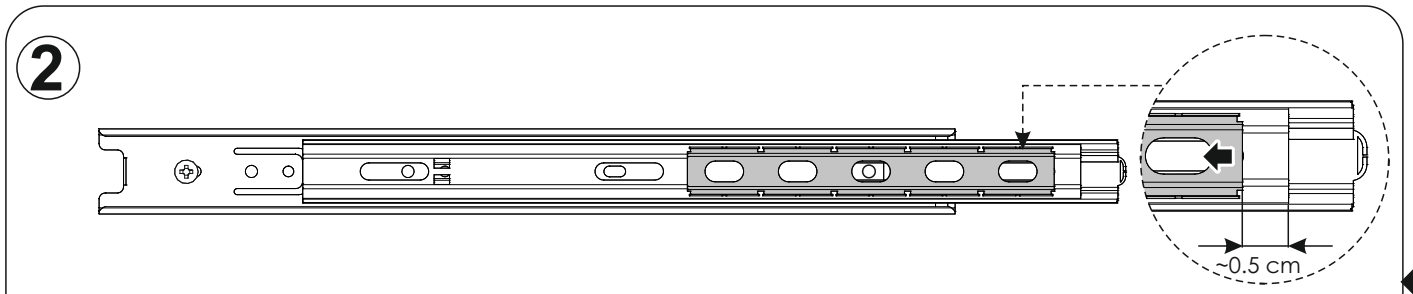
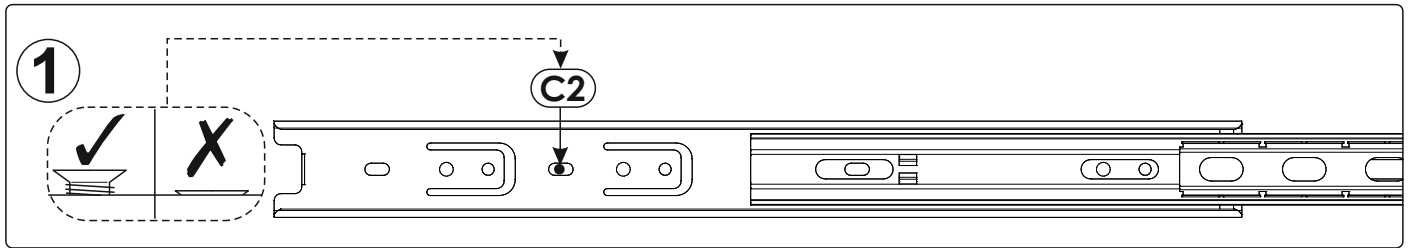
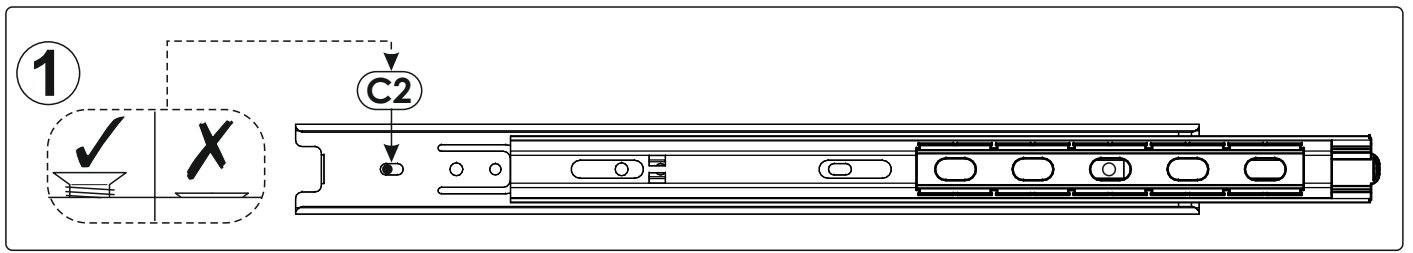
1

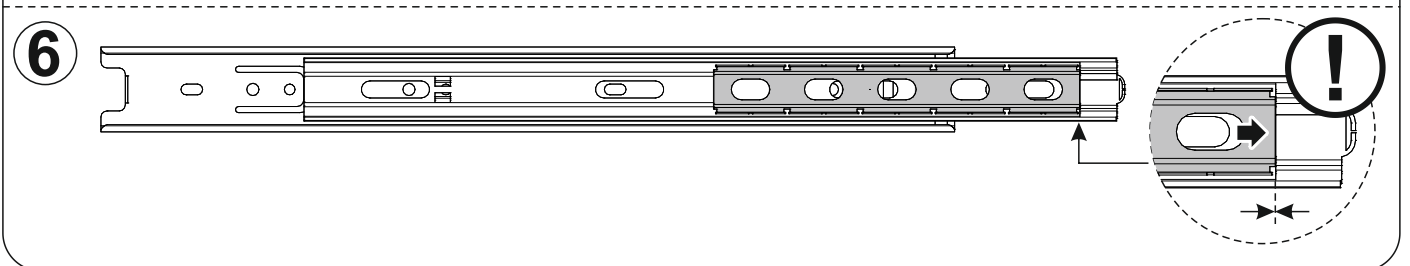
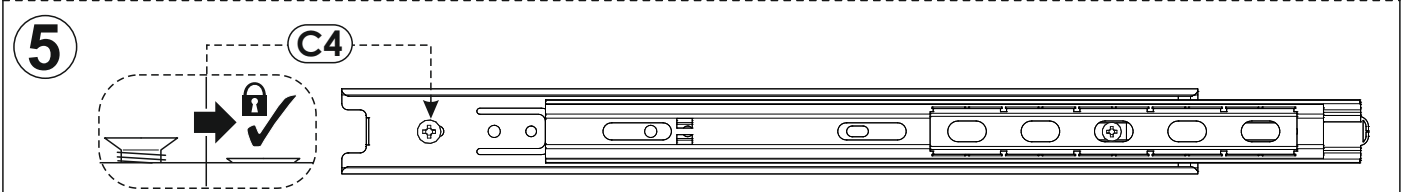
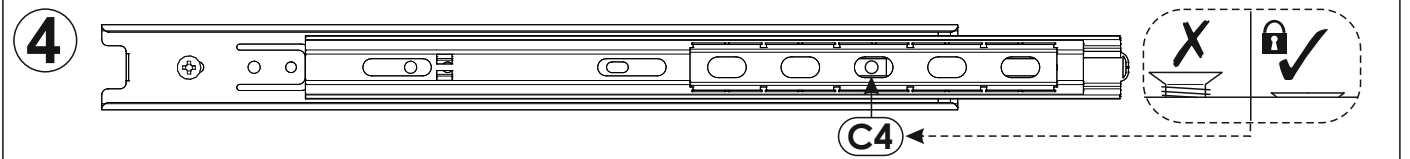
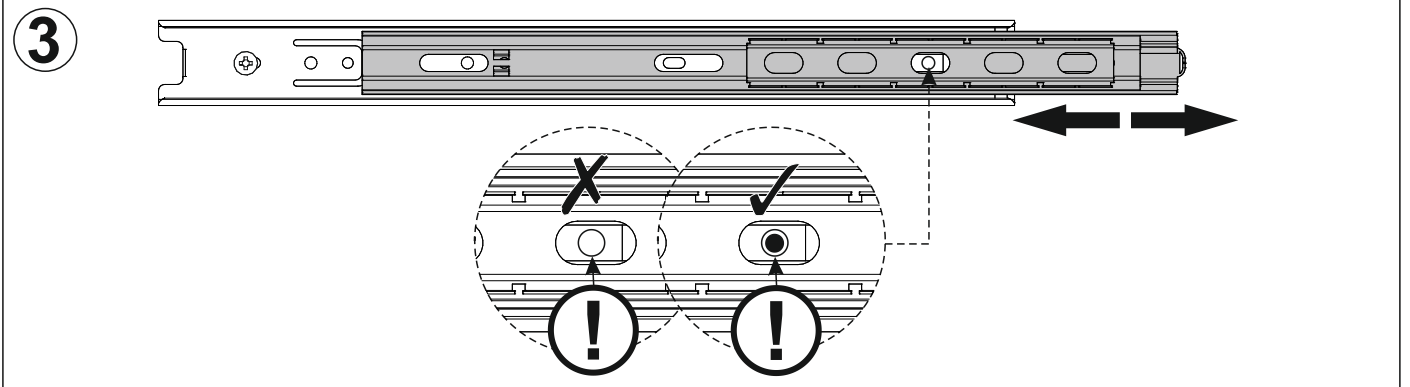
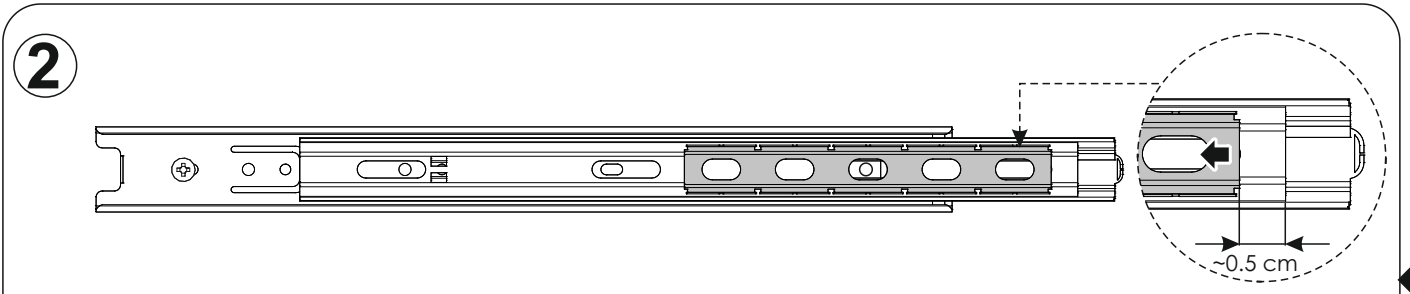
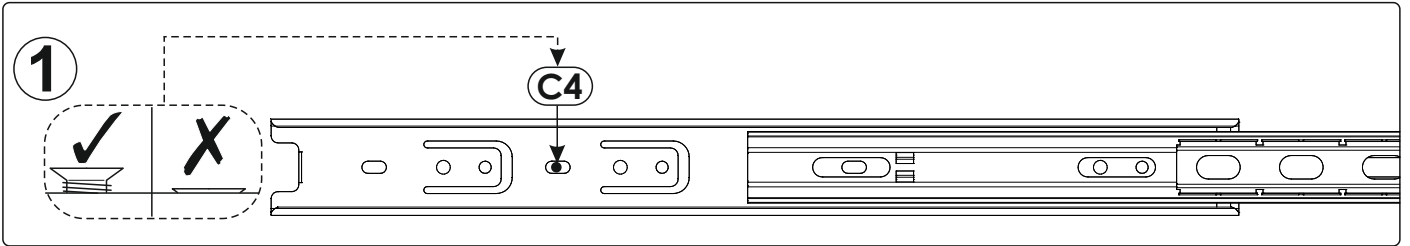
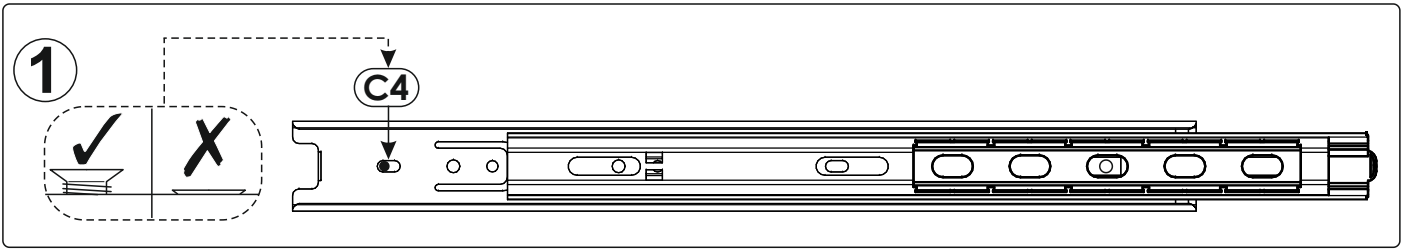


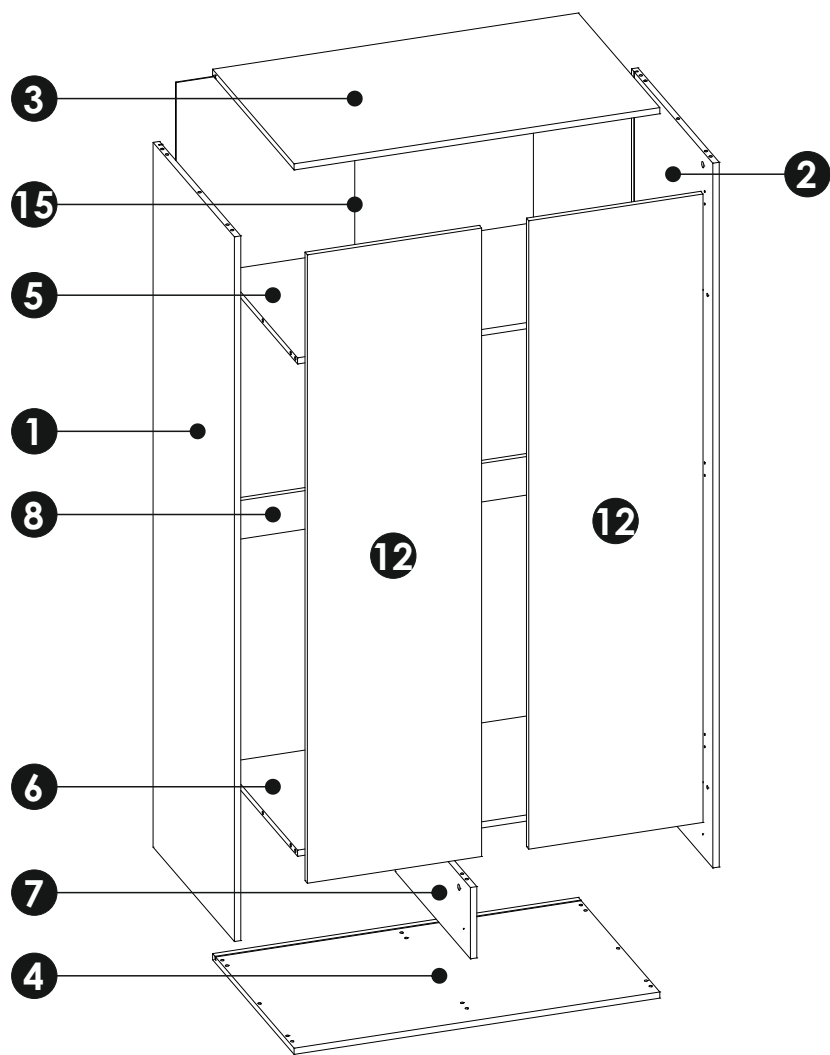
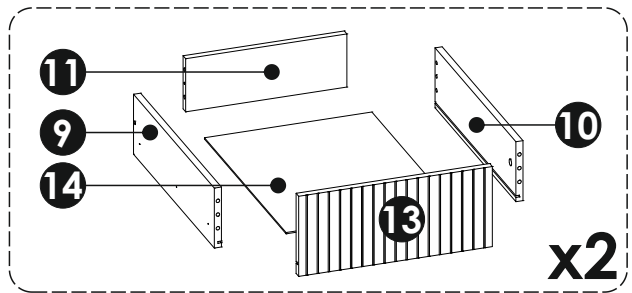
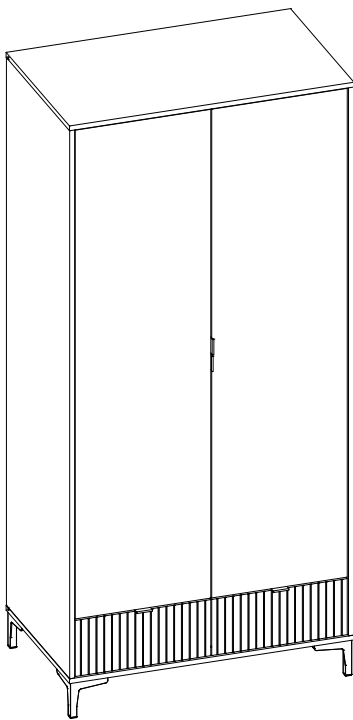


A1	8 x 35 mm	x48	BD	 H - 11 mm	x2	B0 + B3	 x6	
C2	5 x 13 mm	x16	C4	5 x 20 mm	x4	DR	 L - 872 mm	x1
E0	Ø16	x12	E1	15 x 12 mm	x20	F1	6 x 34 mm	x20
G1	7 x 50 mm	x10	H1	 L - 50 mm	x4	I2	4 x 16 mm	x2
M		x1	N1	3 x 16 mm	x20	N4	3,5 x 13 mm	x10
N5	3,5 x 16 mm	x14	N7	3,5 x 30 mm	x20	O12		x5
PW	 L - 500 mm	x2	Q9		x2	R4		x14
R5		x2	R8		x4	S13	 Ø8	x2
UD		x2	Z		x1			





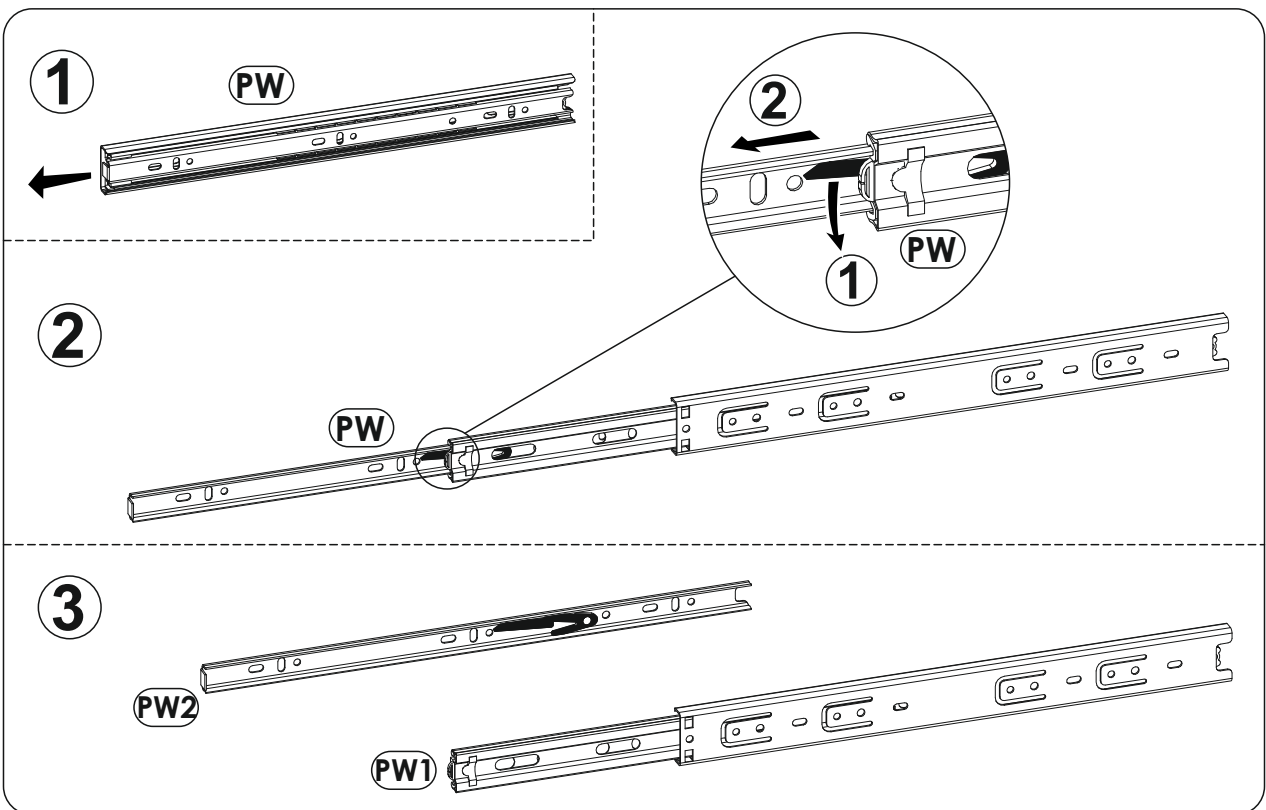
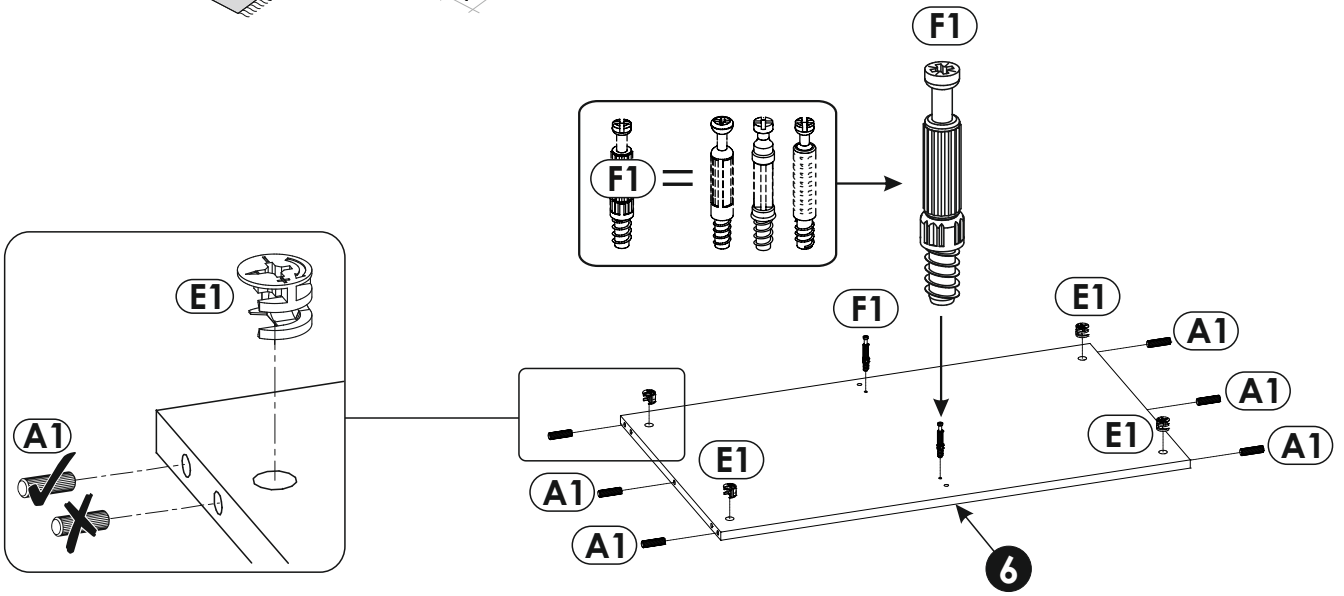
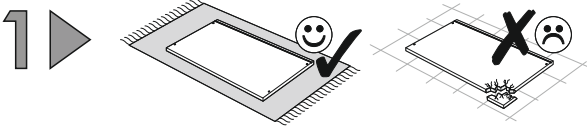
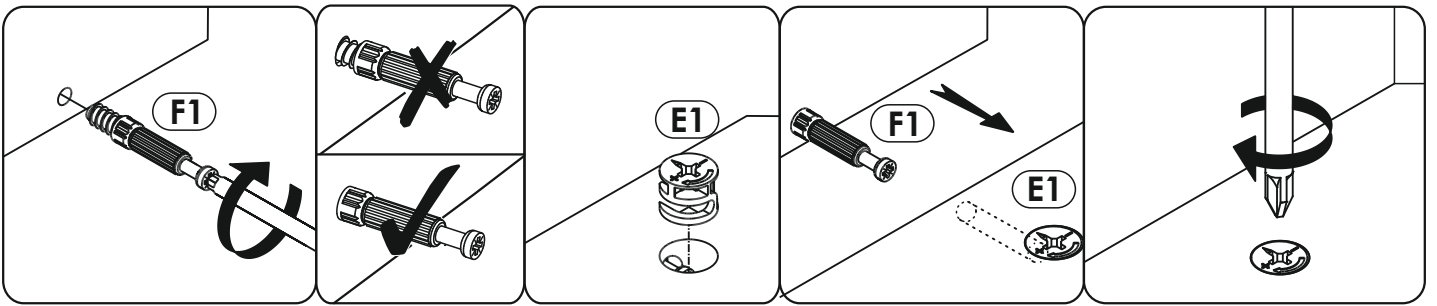


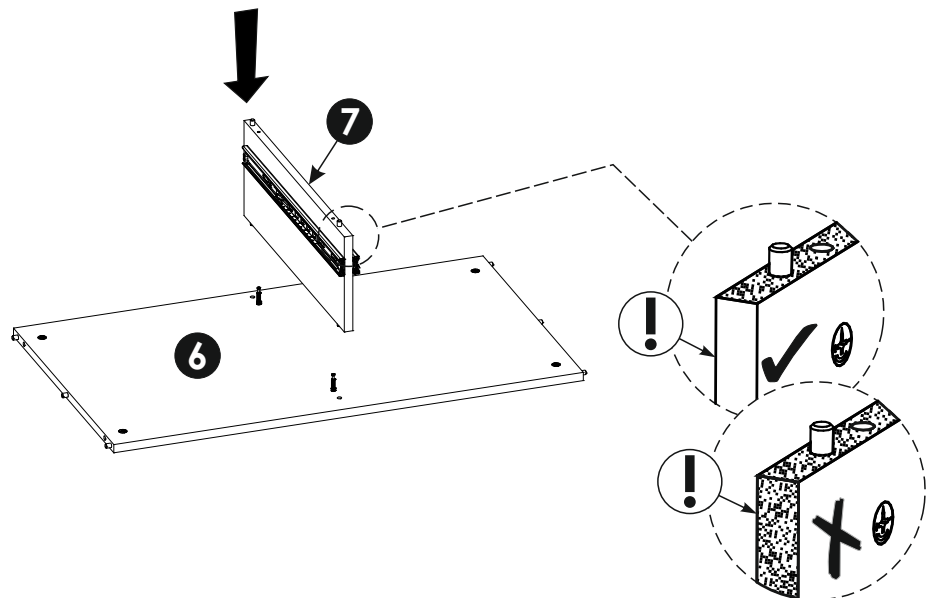
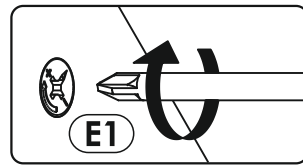
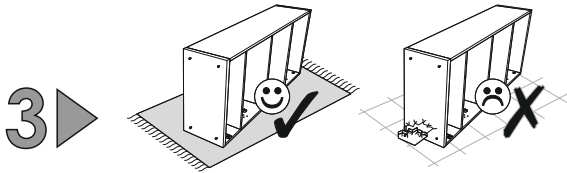
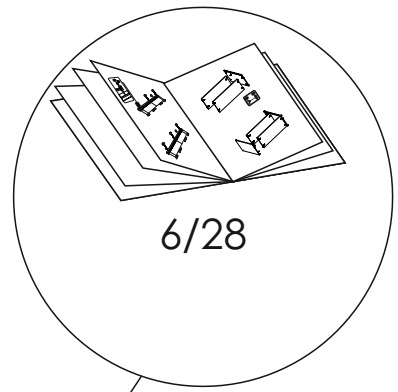
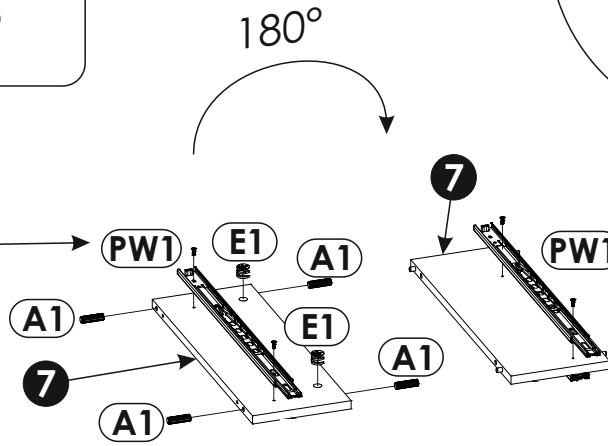
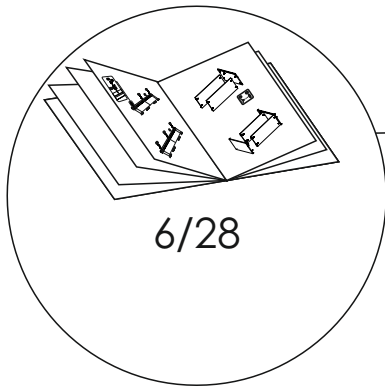
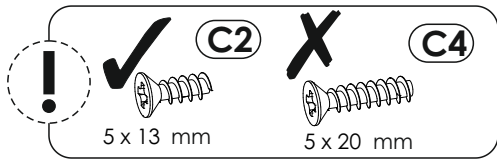
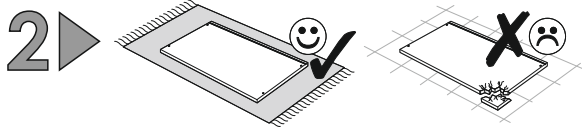


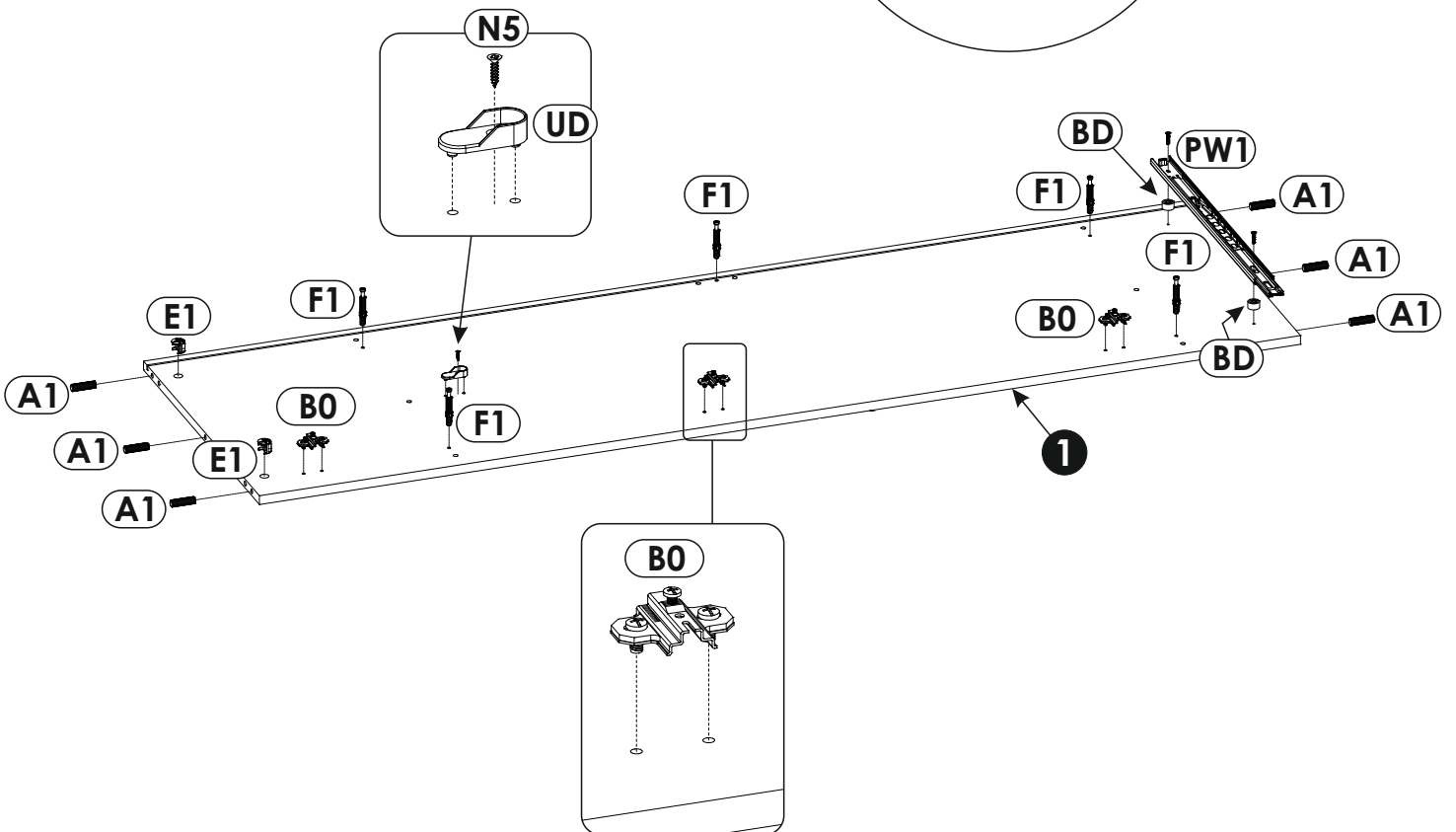
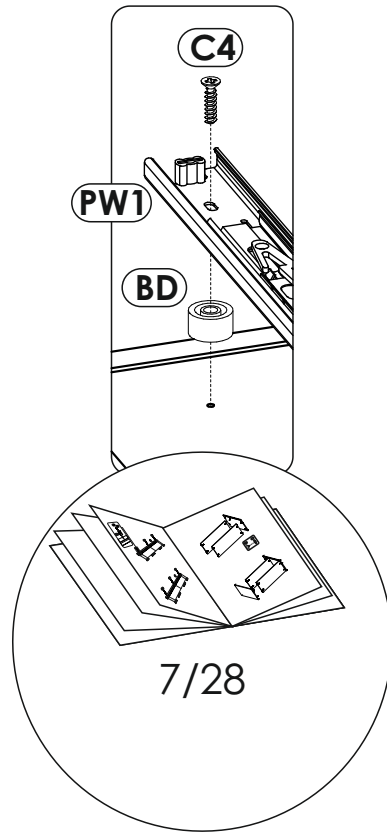
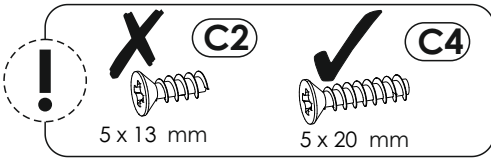
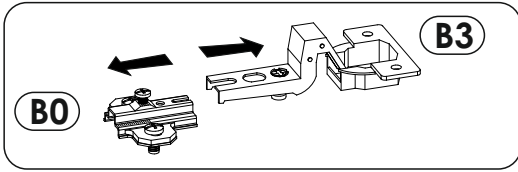
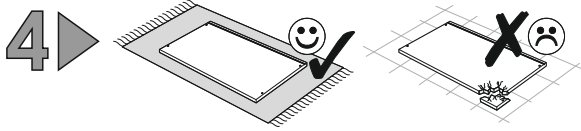
1	1828	559	16	x1	3/3
2	1828	559	16	x1	3/3
3	915	560	16	x1	1/3
4	915	560	16	x1	1/3
5	881	517	16	x1	1/3

6	881	517	16	x1	1/3
7	185	517	16	x1	1/3
8	881	100	16	x1	1/3
9	500	140	16	x2	2/3
10	500	140	16	x2	2/3

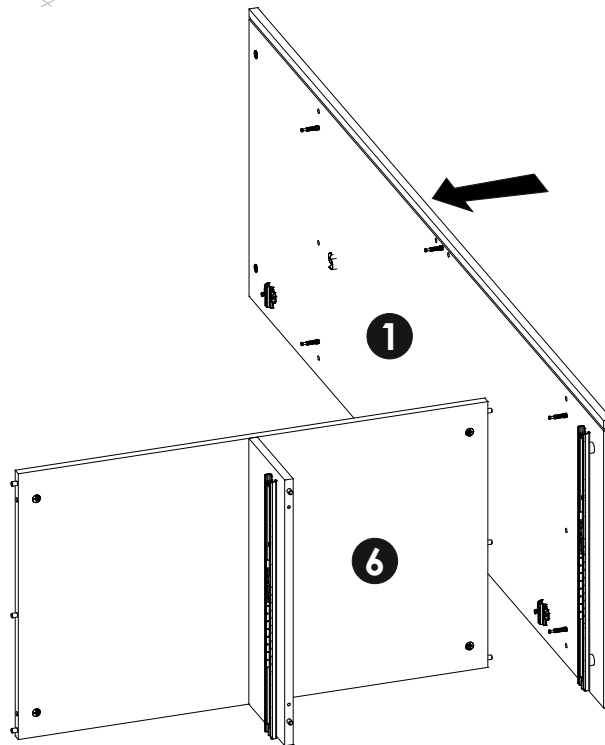
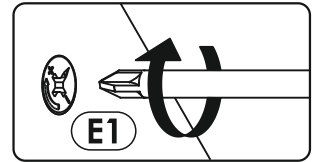
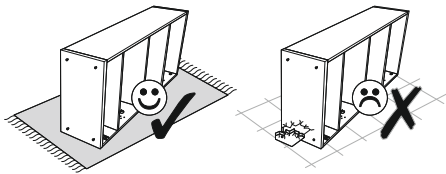
11	363	124	16	x2	1/3
12	1630	436	16	x2	2/3
13	187	436	16	x2	2/3
14	377	505	3	x2	1/3
15	1842	894	3	x1	3/3



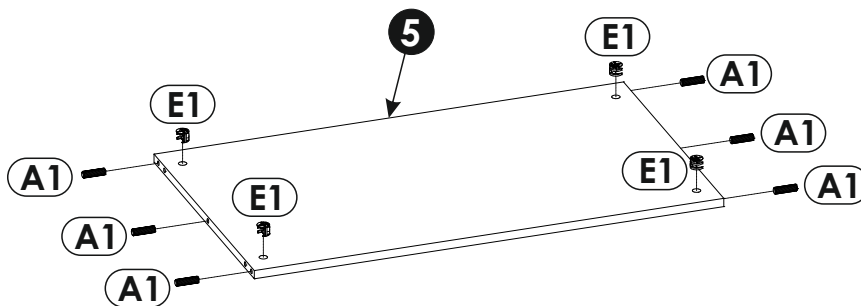
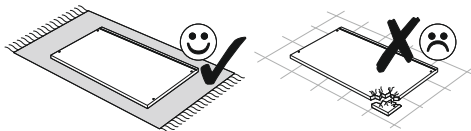


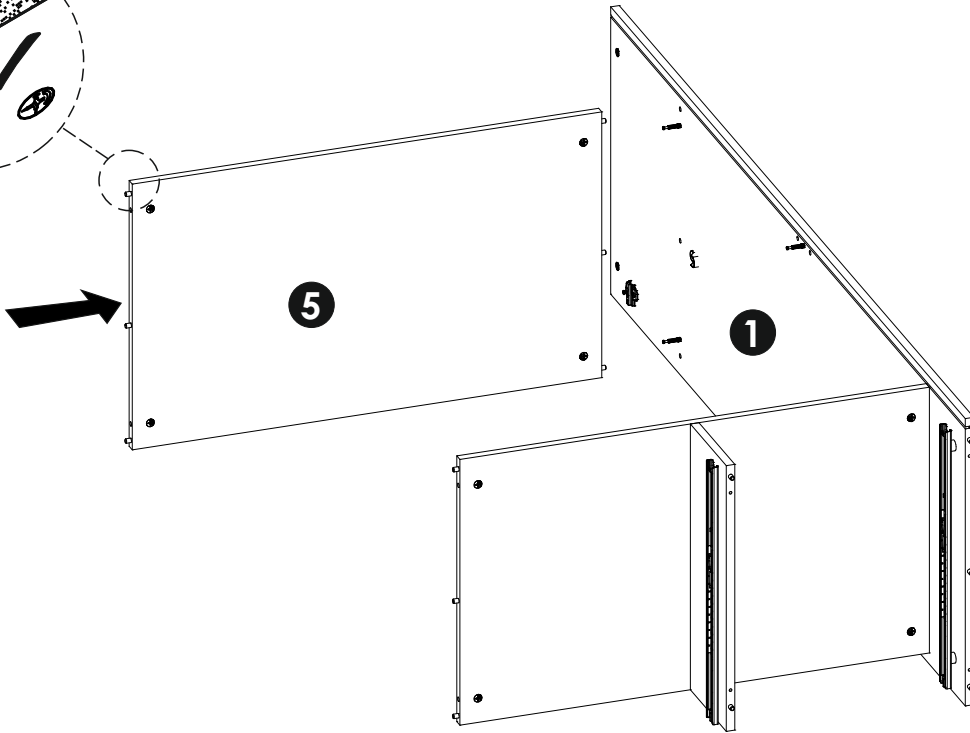
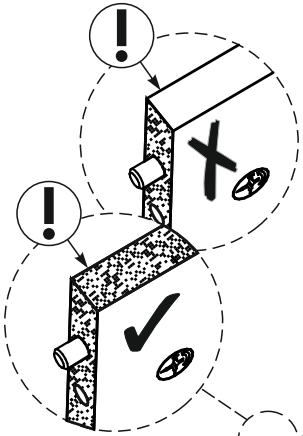
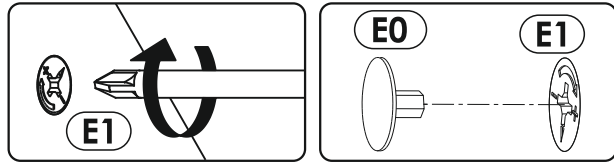
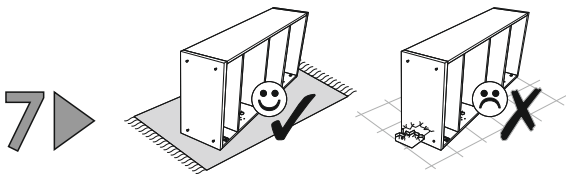


5 ▶

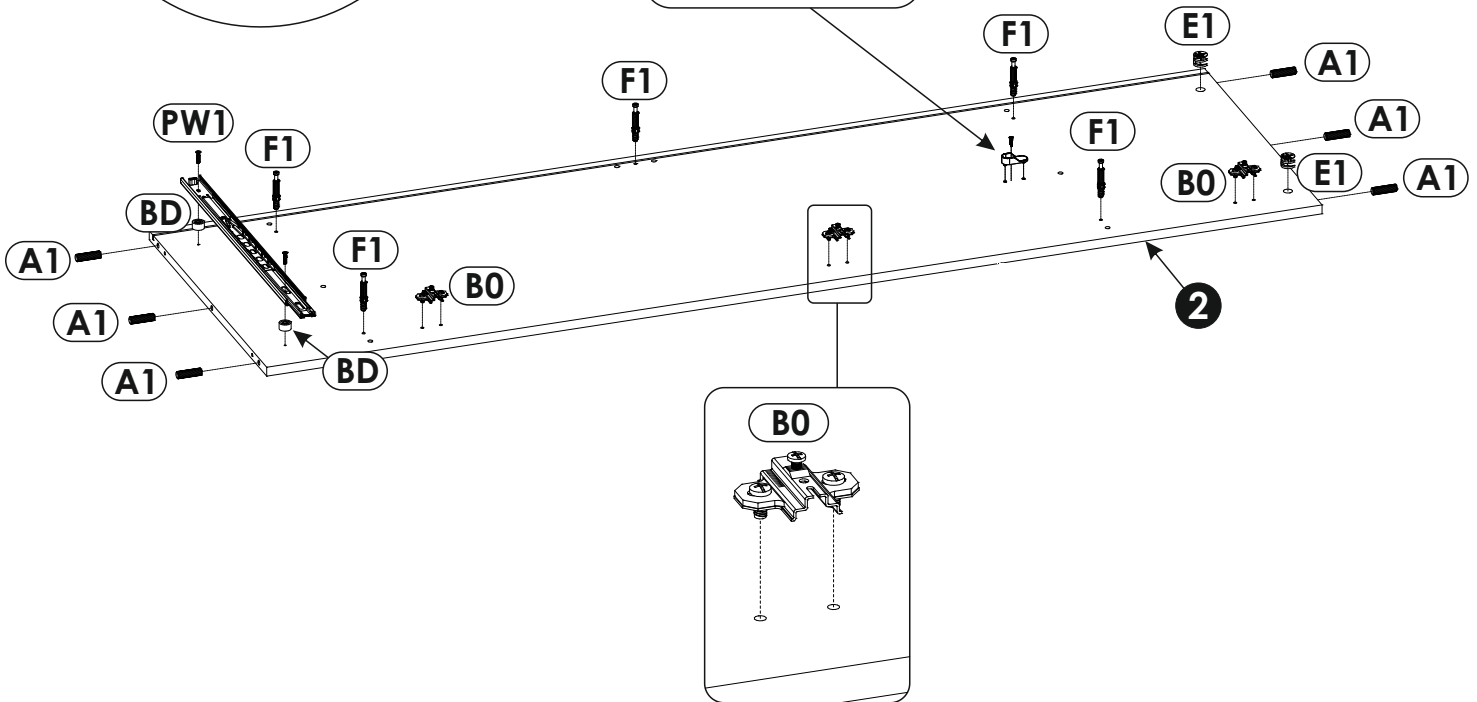
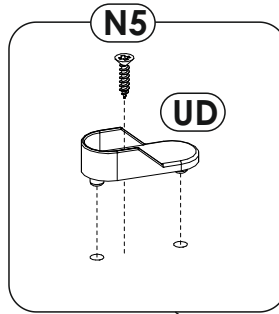
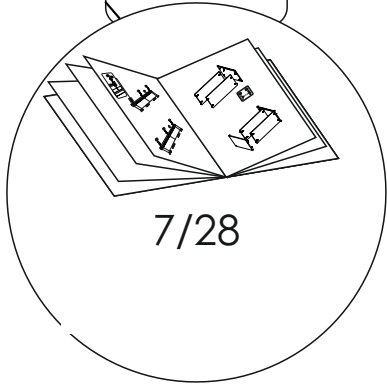
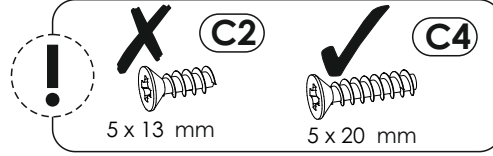
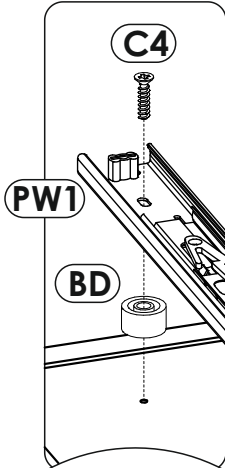
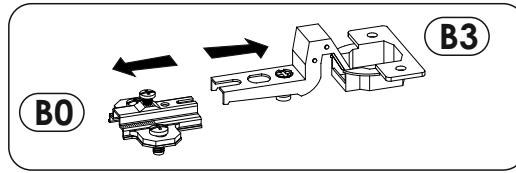
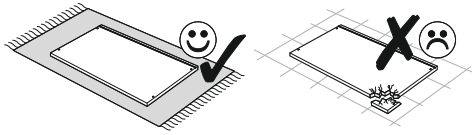


6 ▶

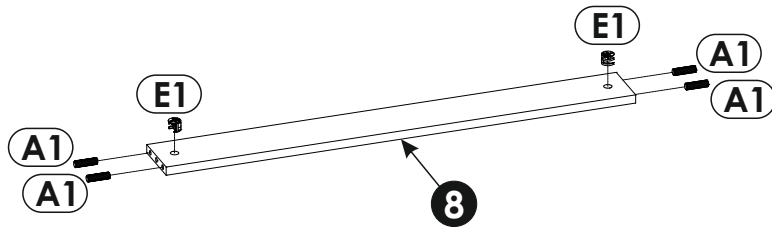
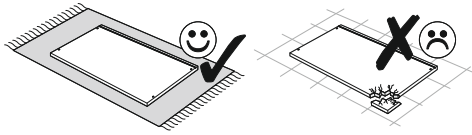




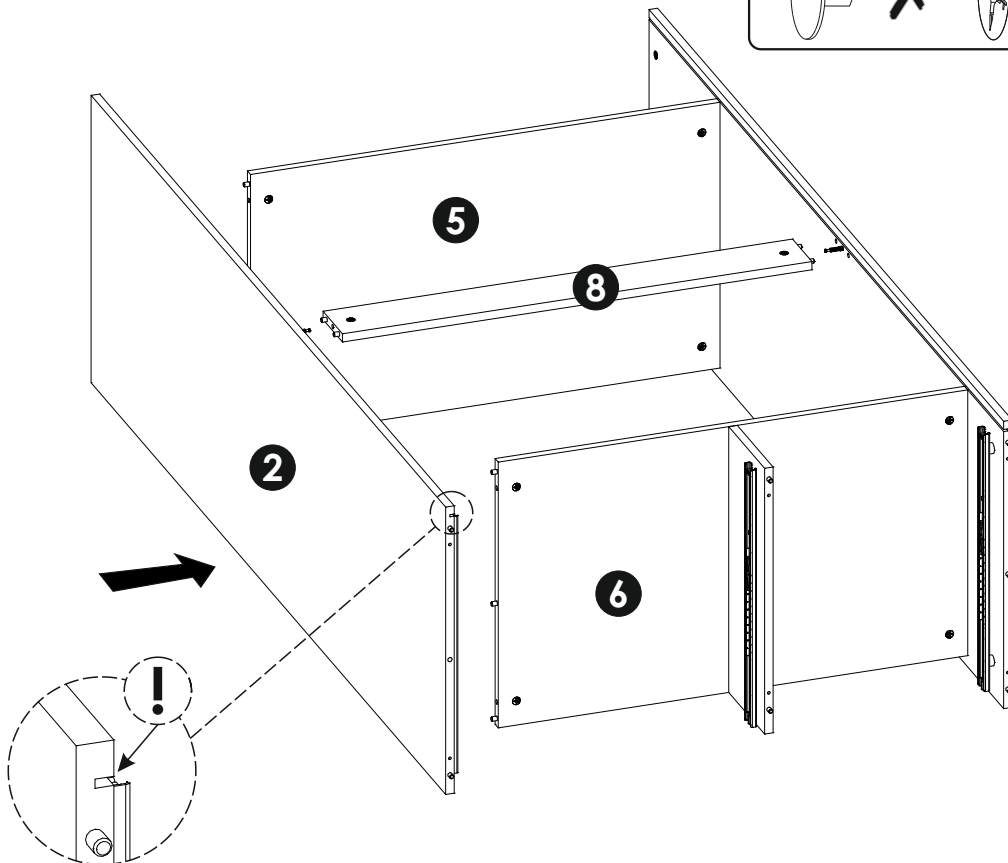
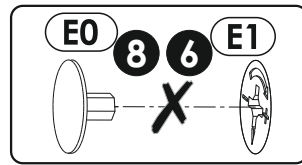
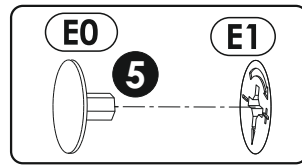
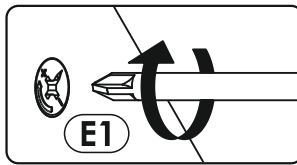
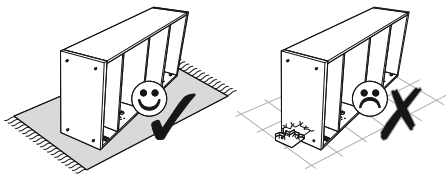
8 ▶



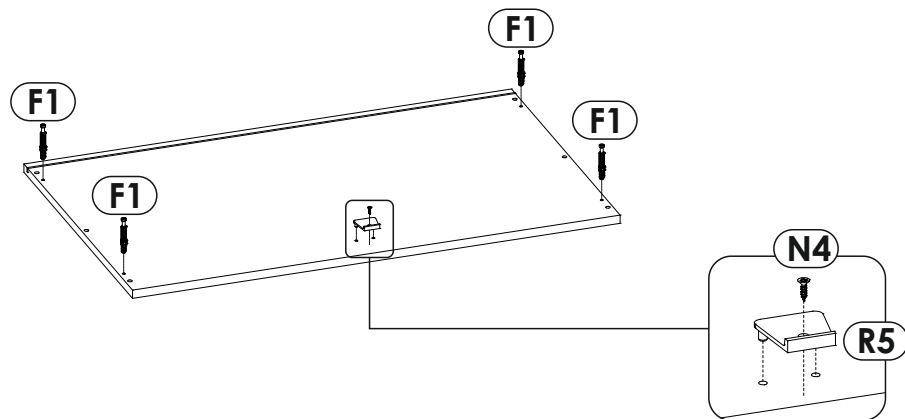
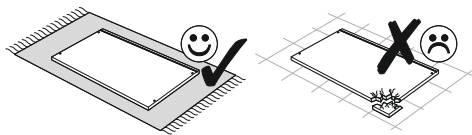
9 ▶



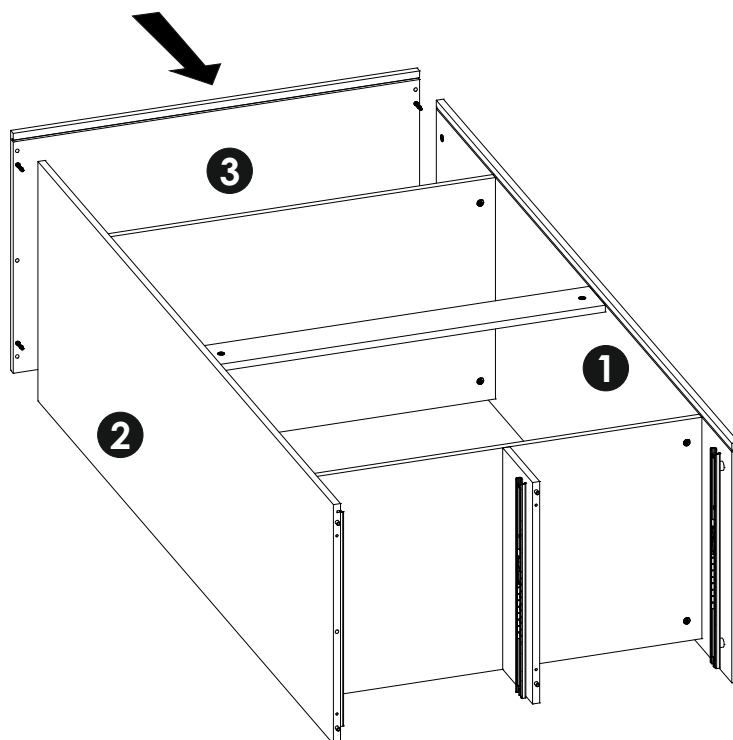
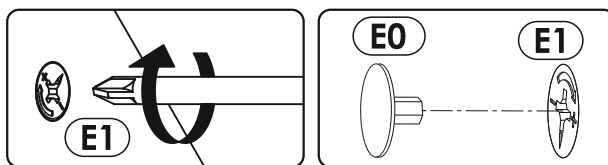
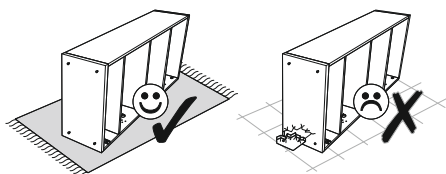
10 ▶



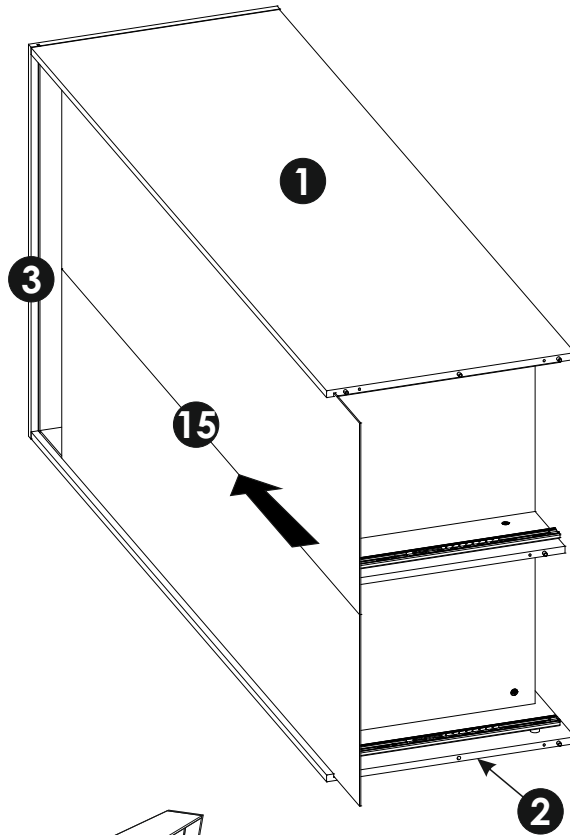
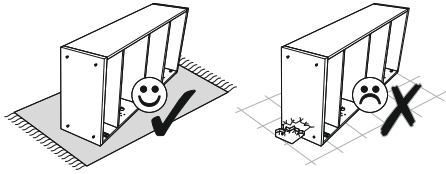
11 ▶



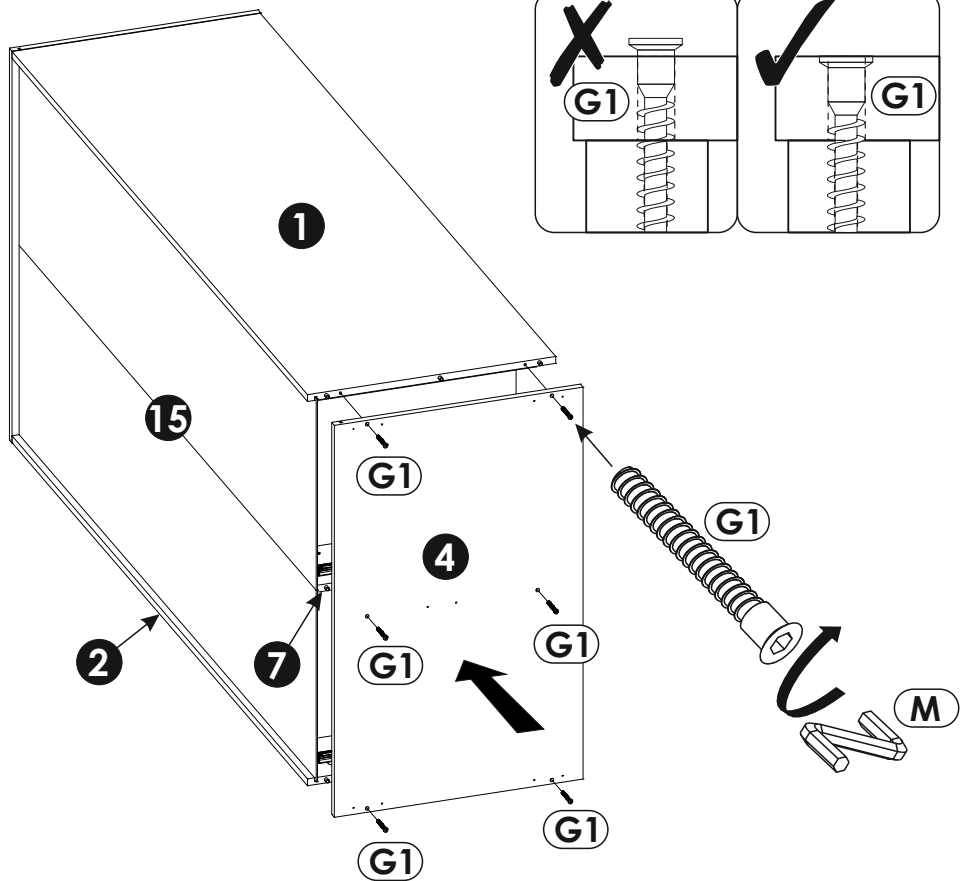
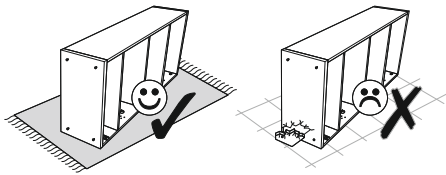
12 ▶



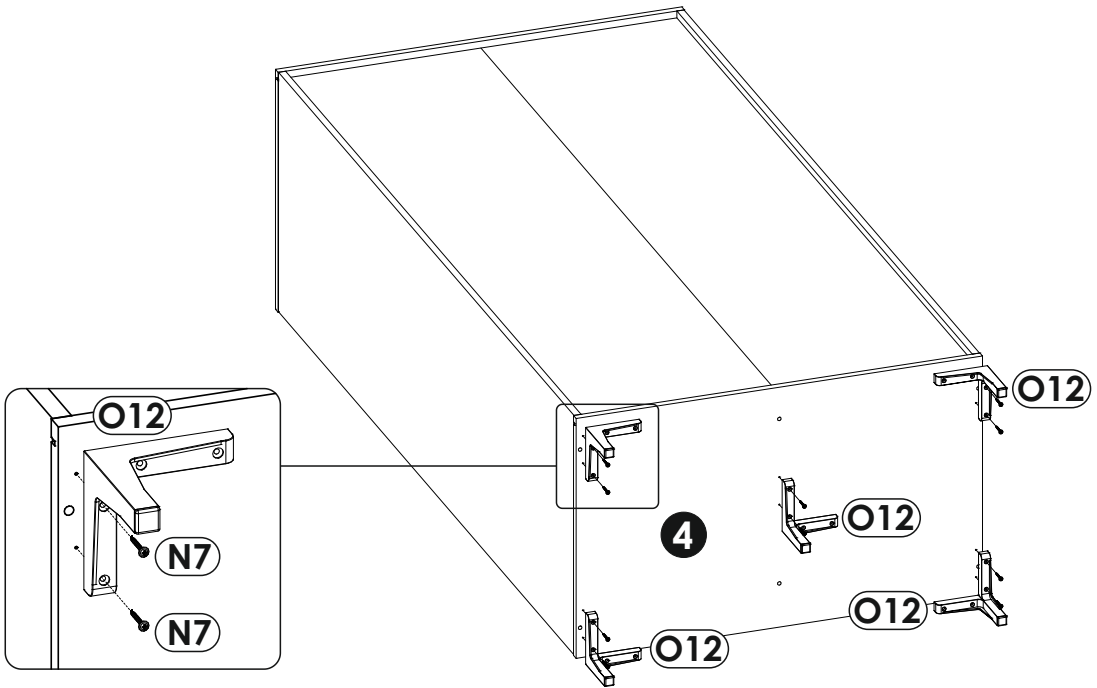
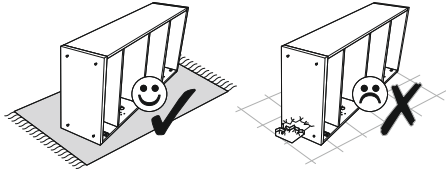
13 ▶



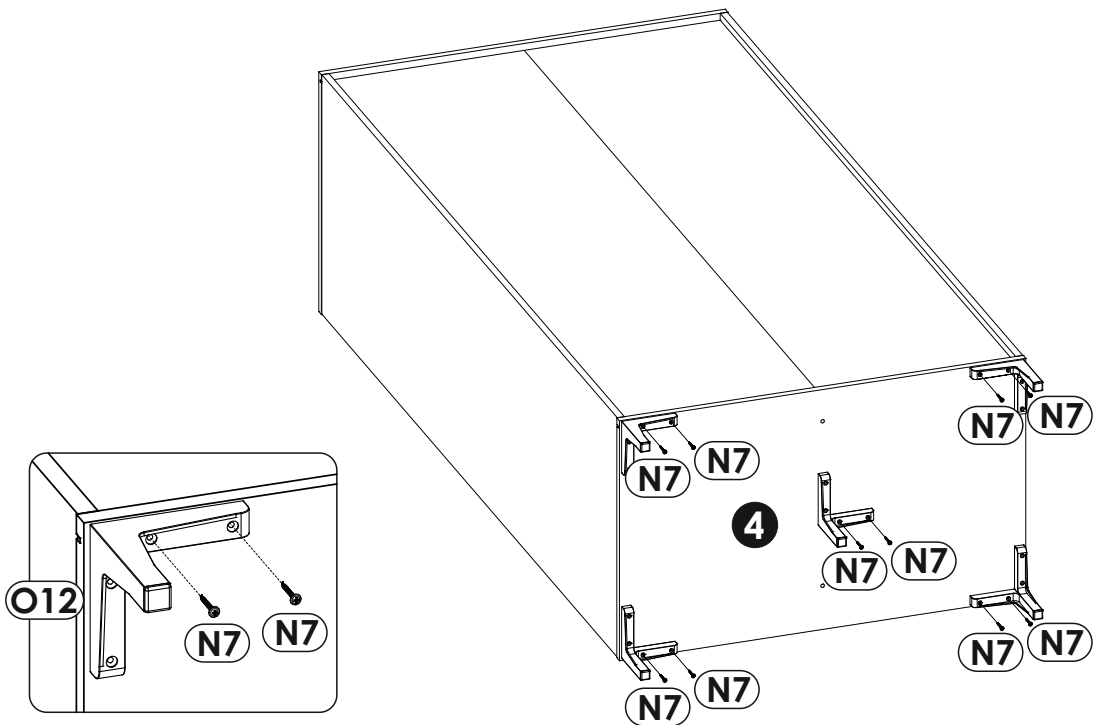
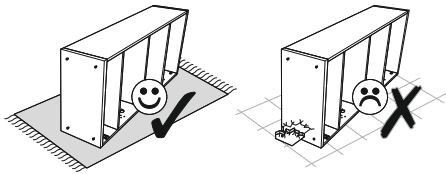
14 ▶



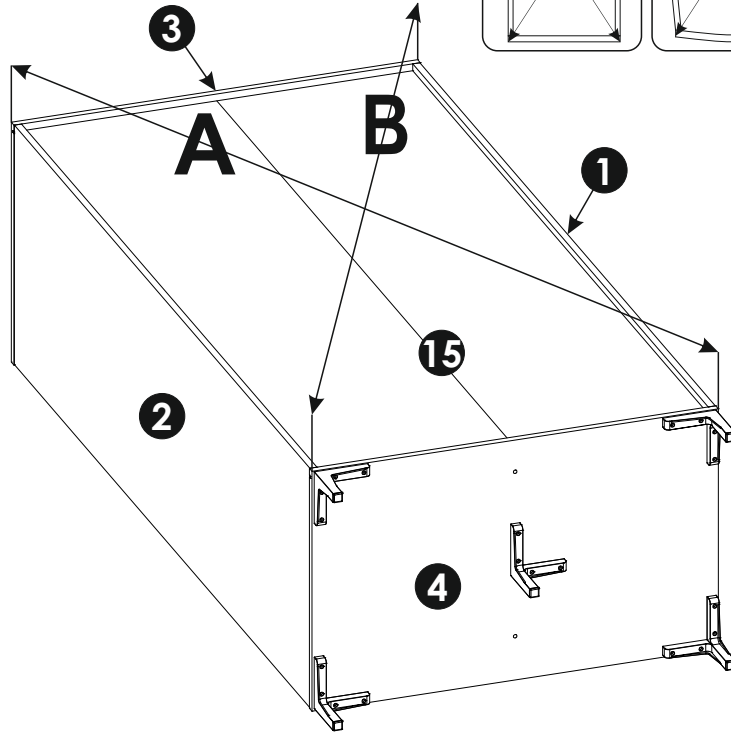
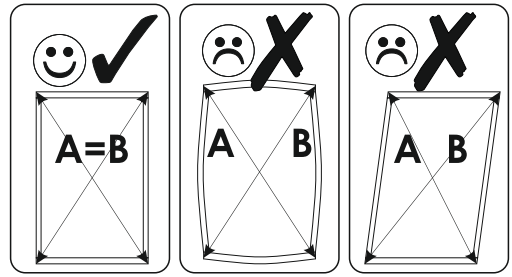
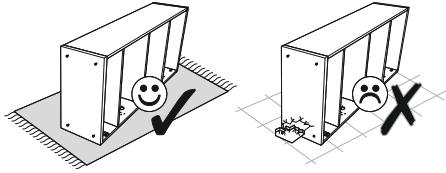
15 ▶



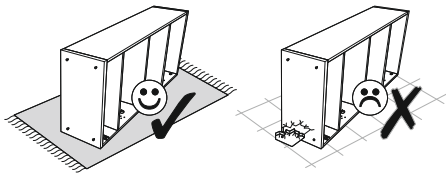
16 ▶



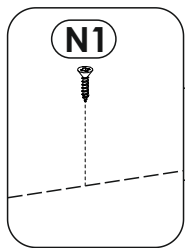
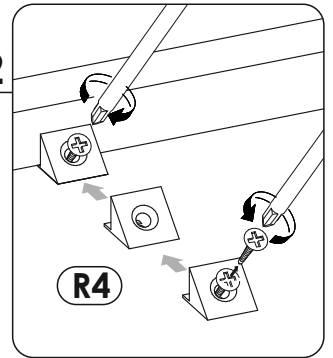
17 ▶



18 ▶

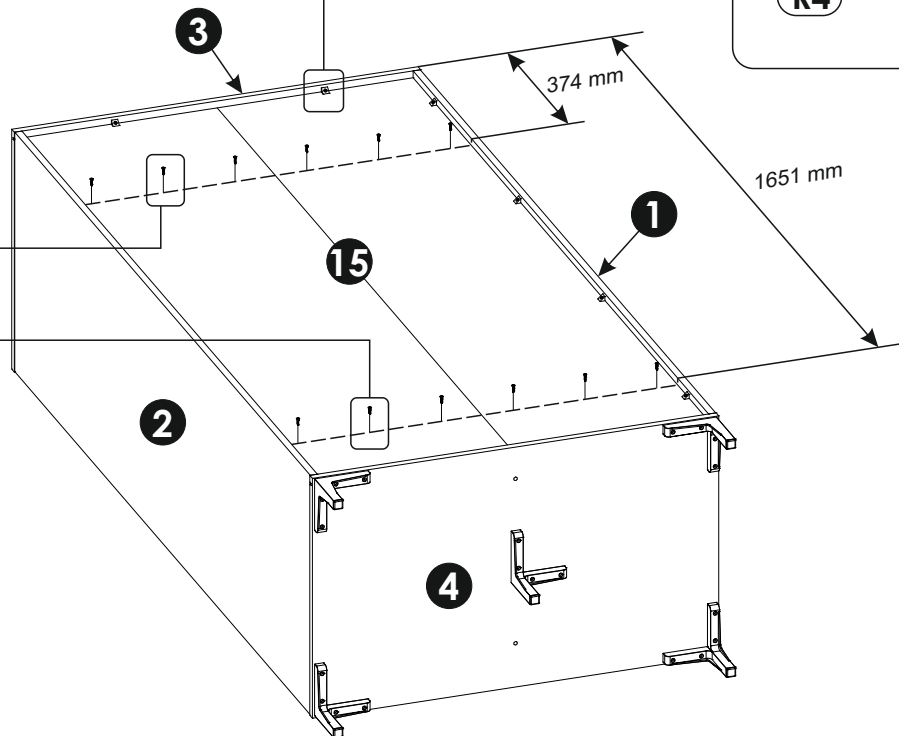


x12

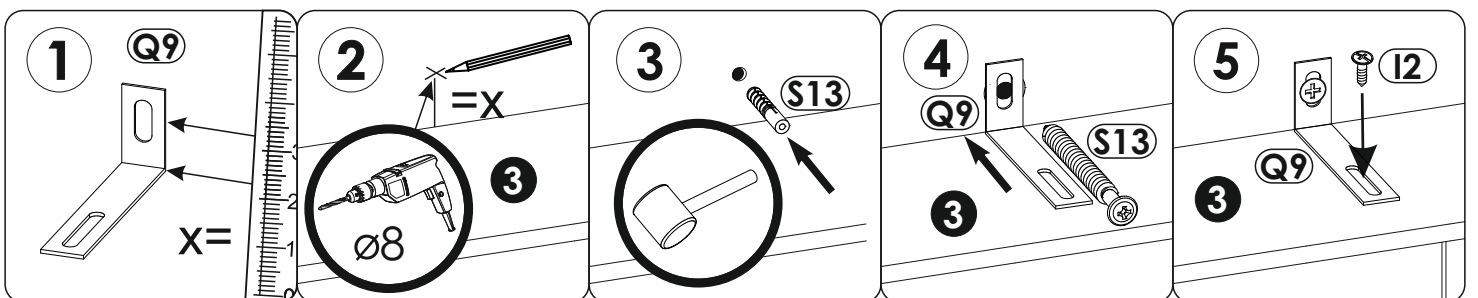
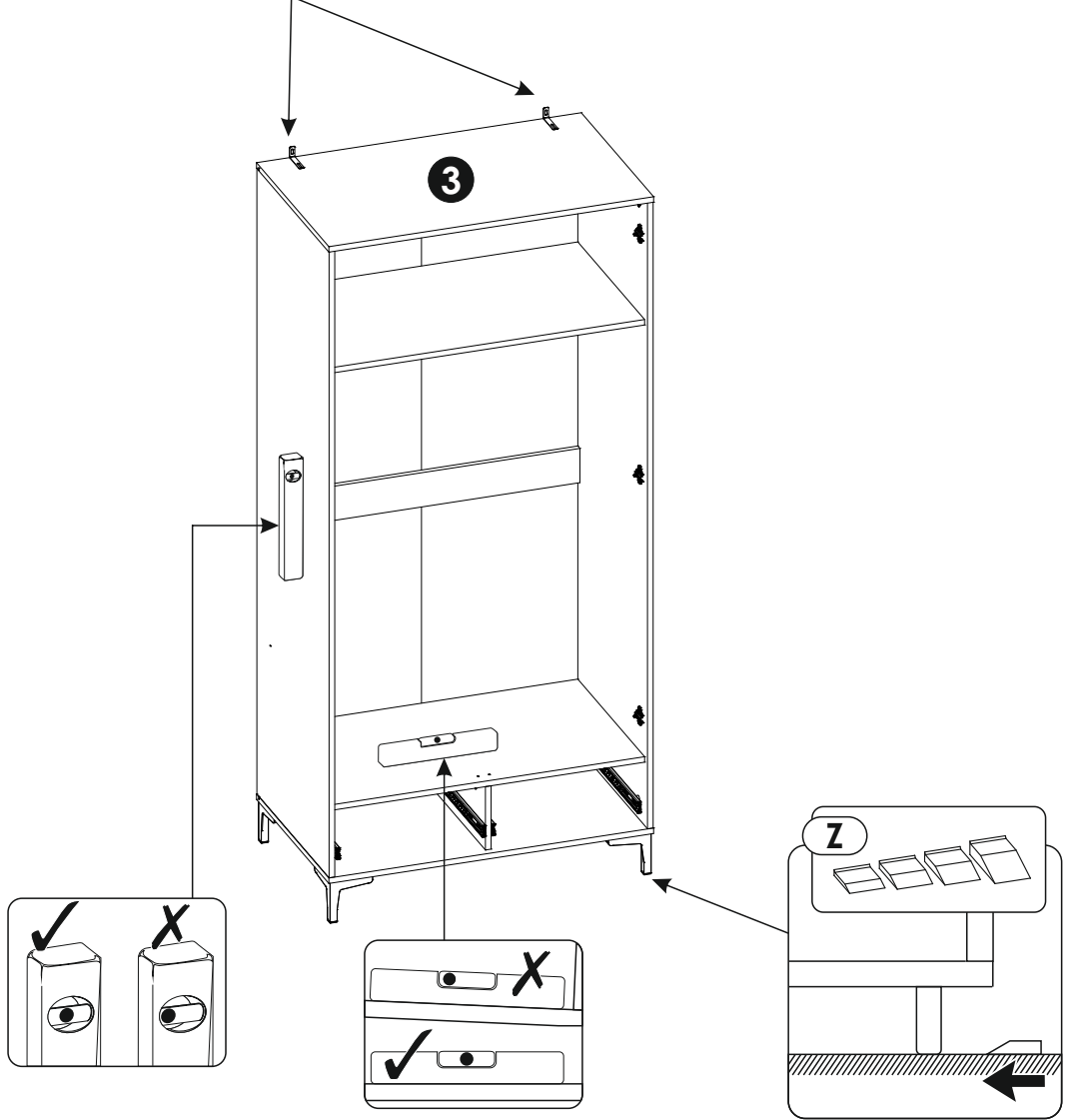
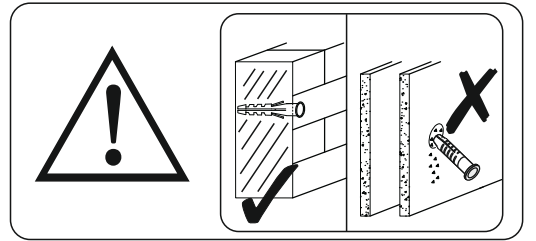
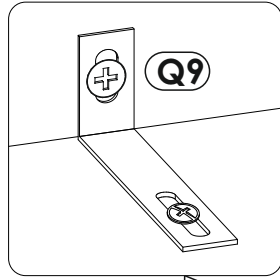


x6

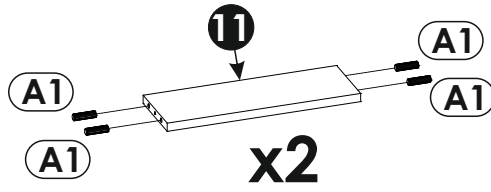
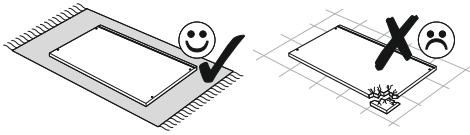
x6



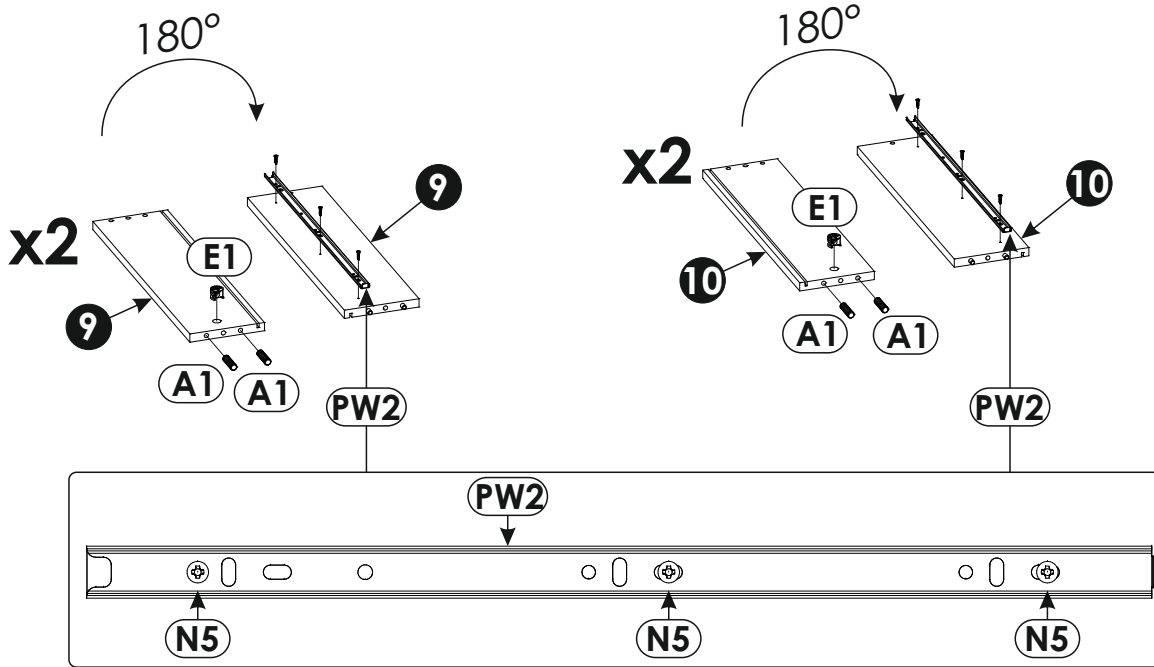
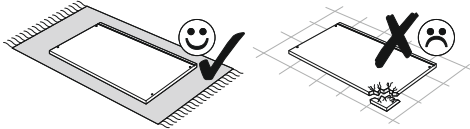
19 ▶



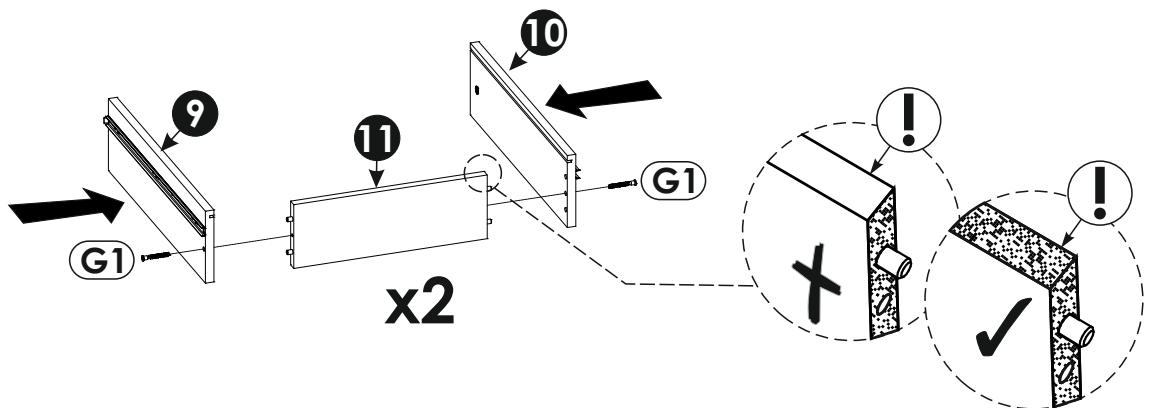
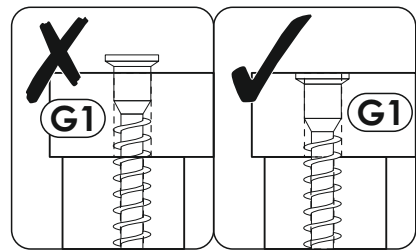
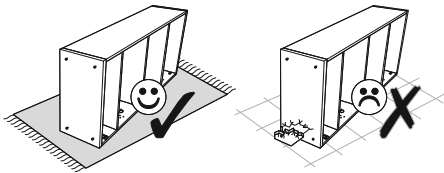
20 ▶



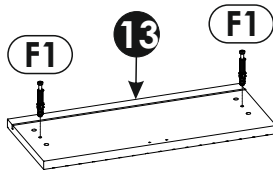
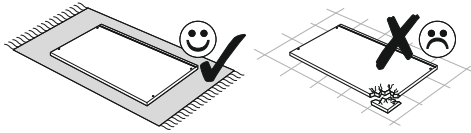
21 ▶



22 ▶

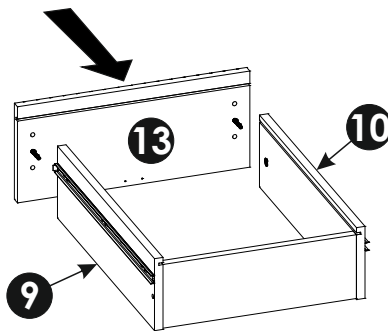
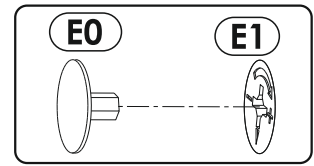
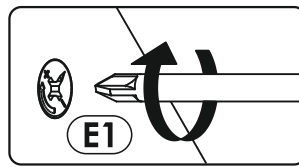
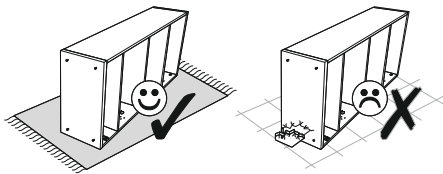


23 ▶



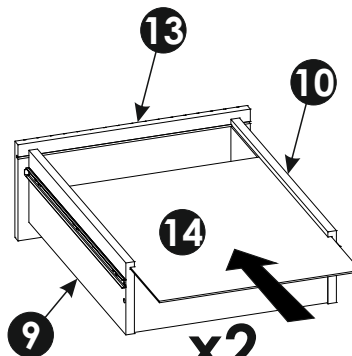
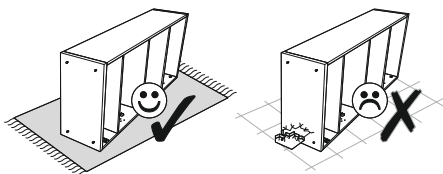
x2

24 ▶



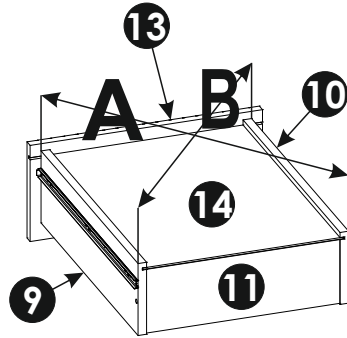
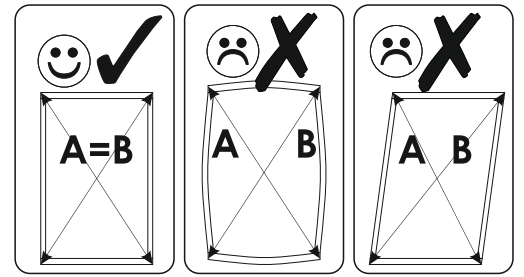
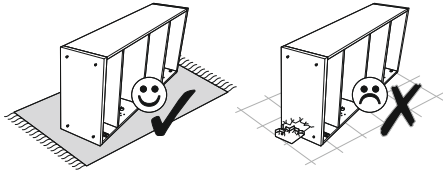
x2

25 ▶

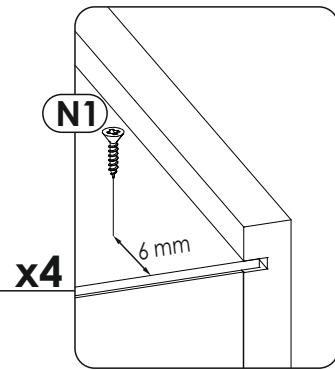
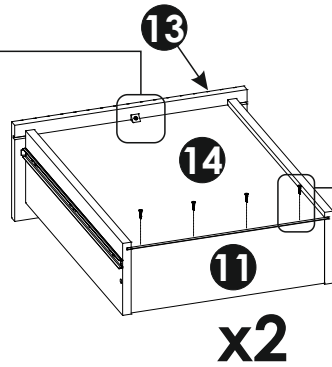
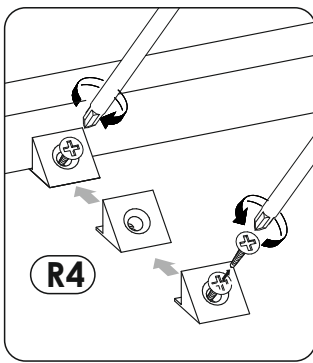
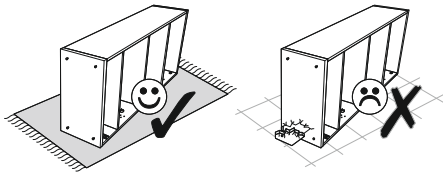


x2

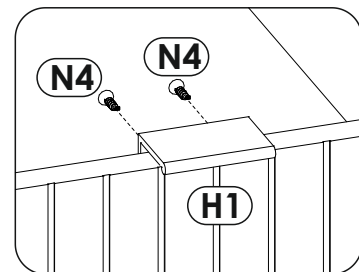
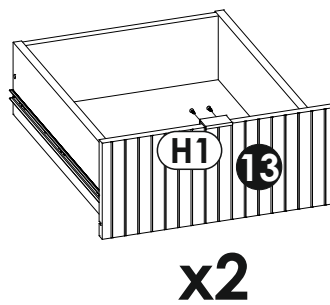
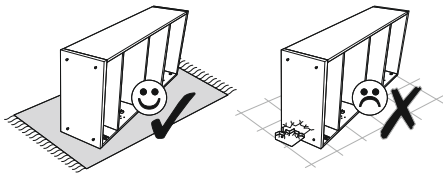
26 ▶



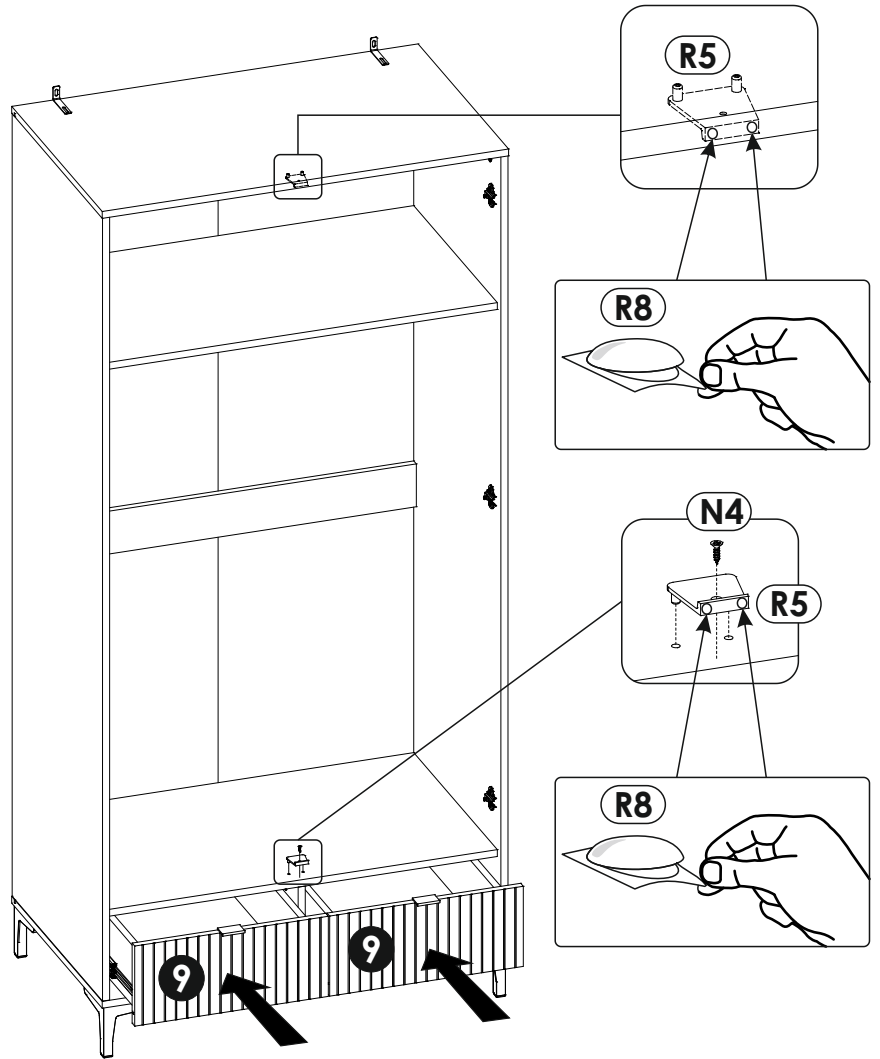
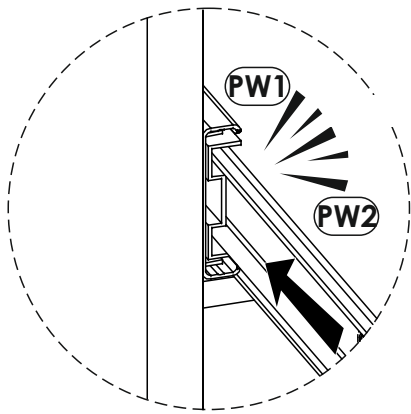
27 ▶



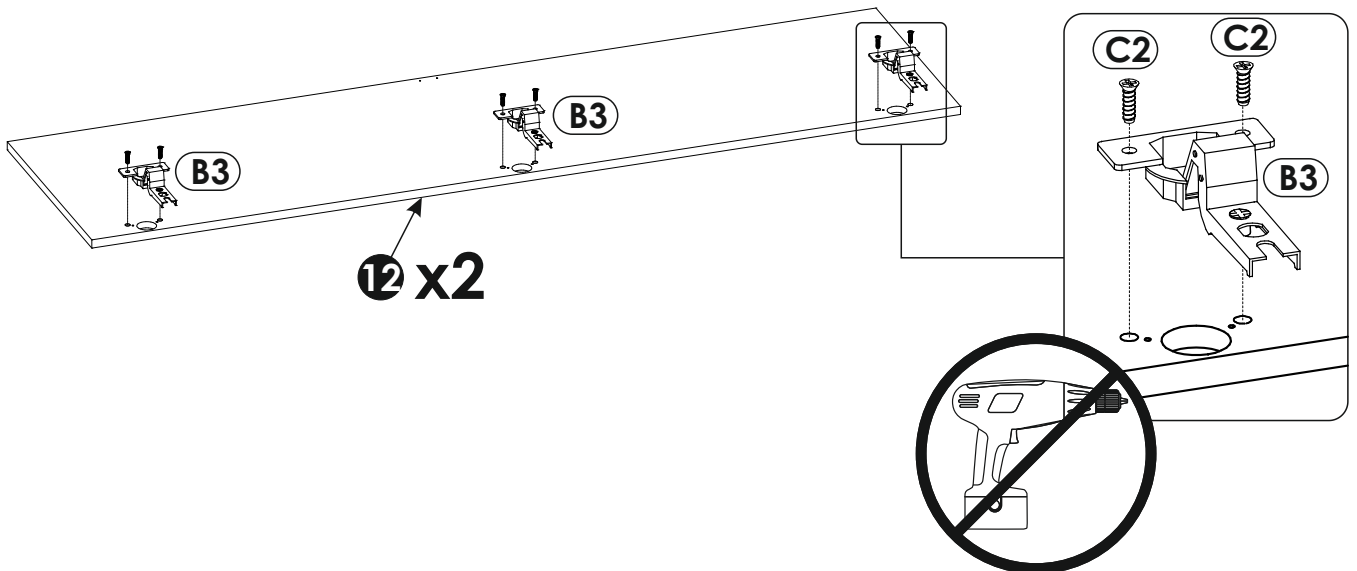
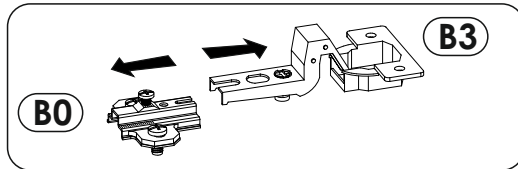
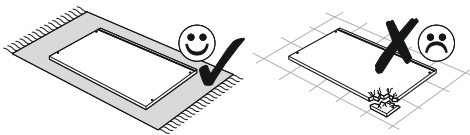
28 ▶



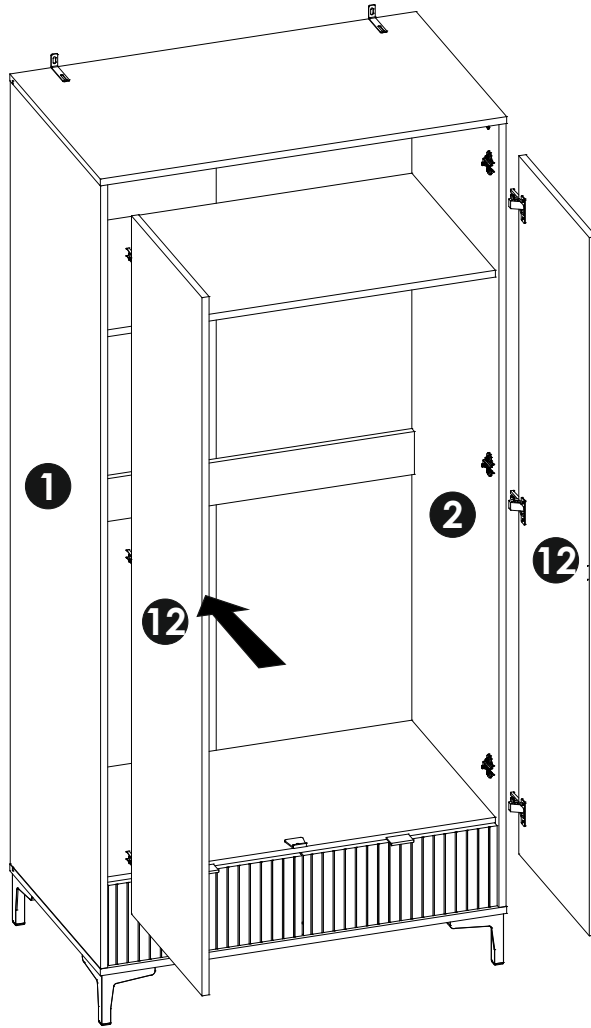
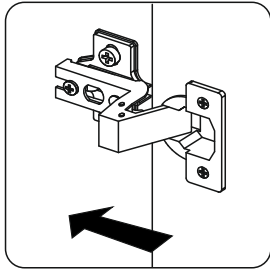
29 ▶

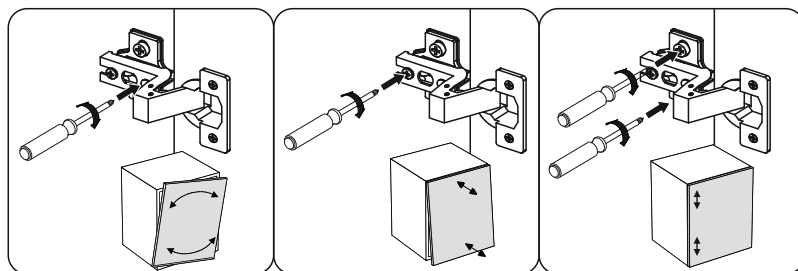
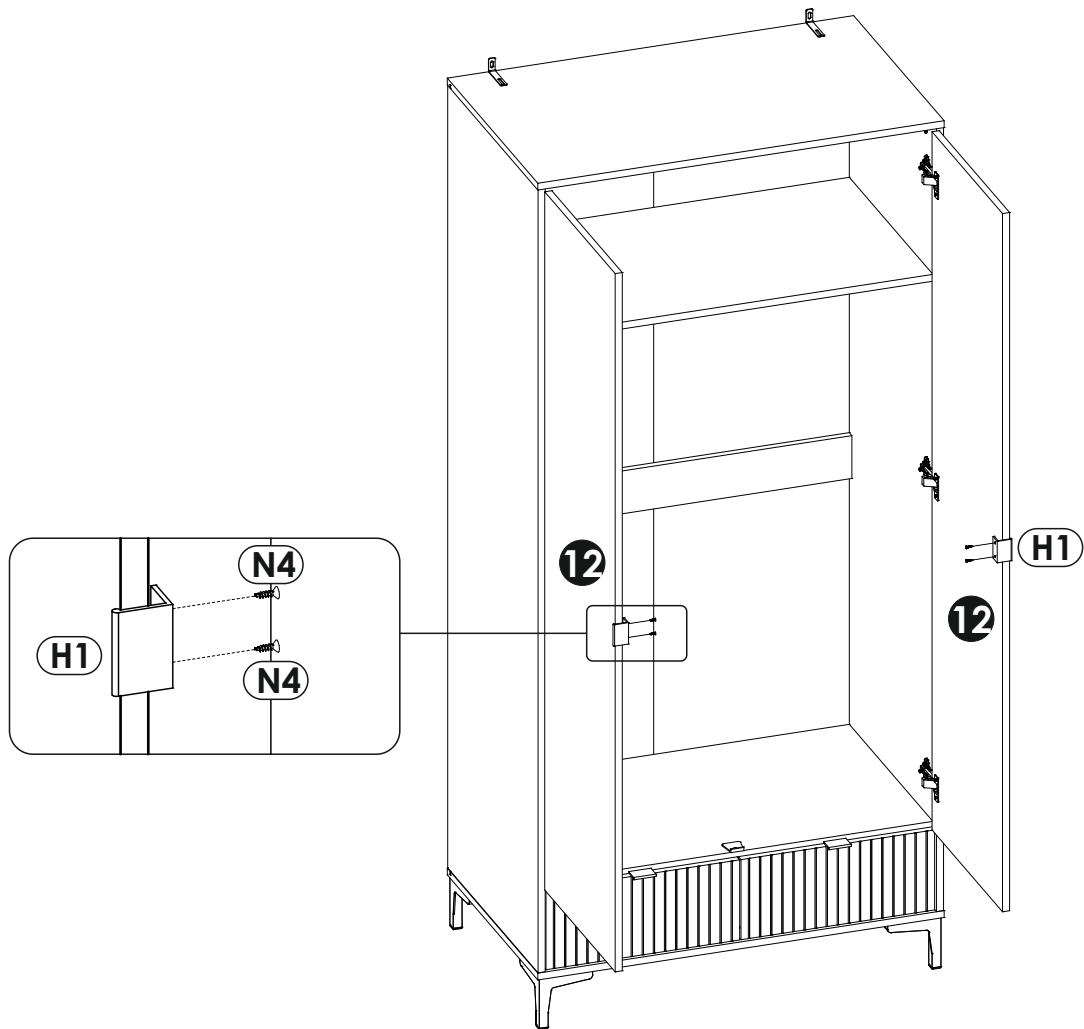


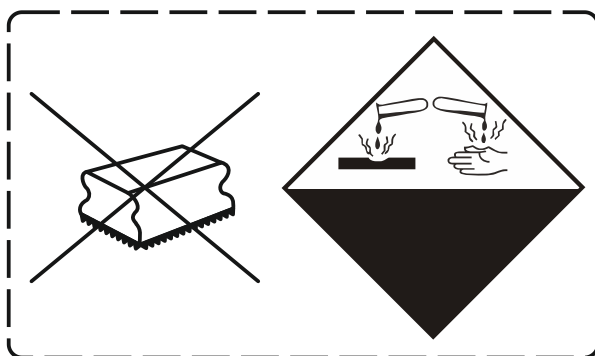
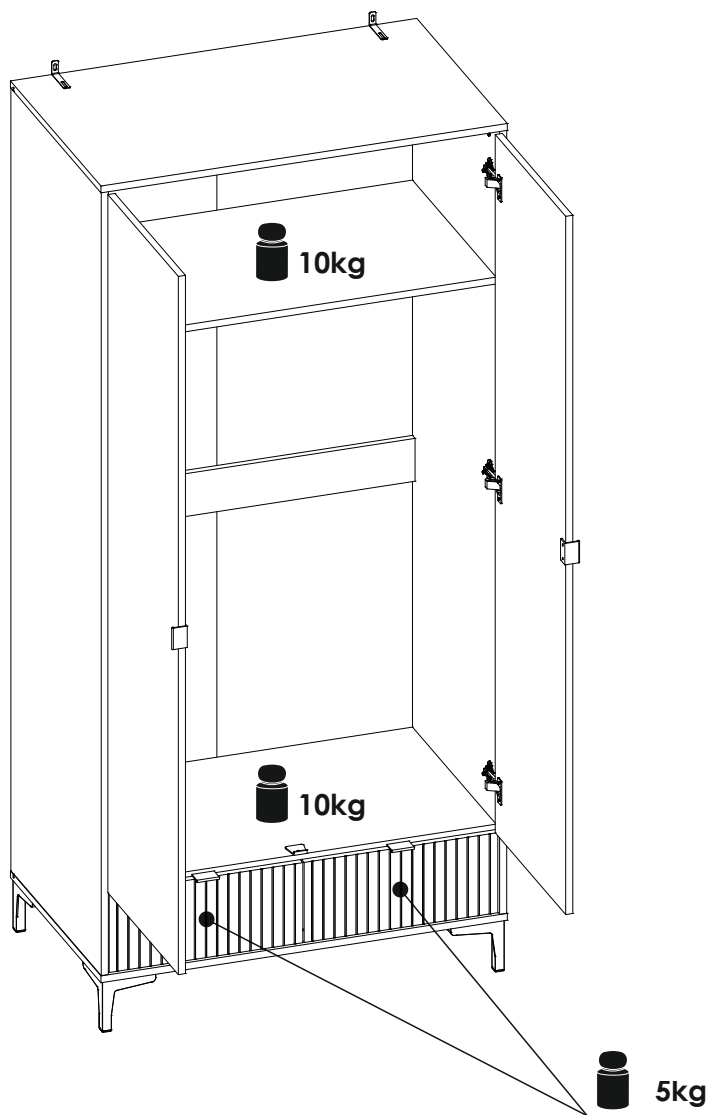
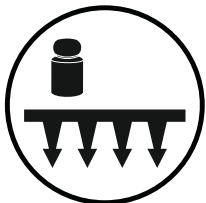
30 ▶

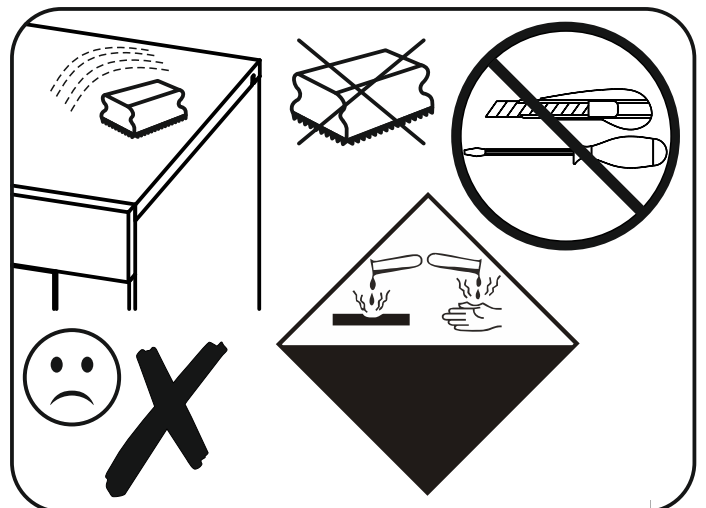
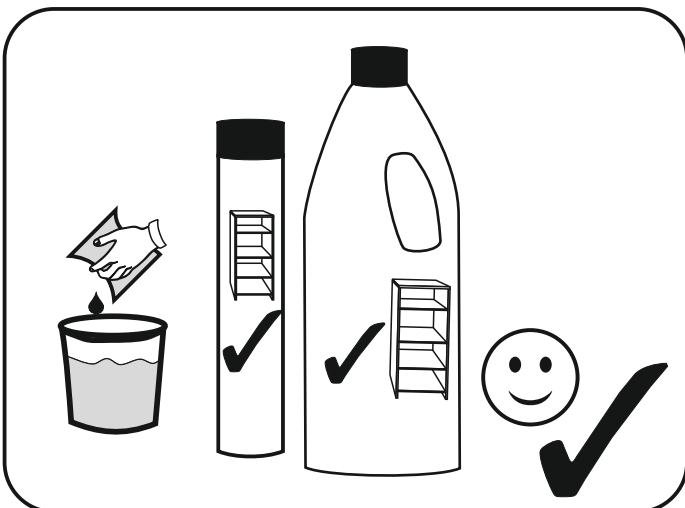
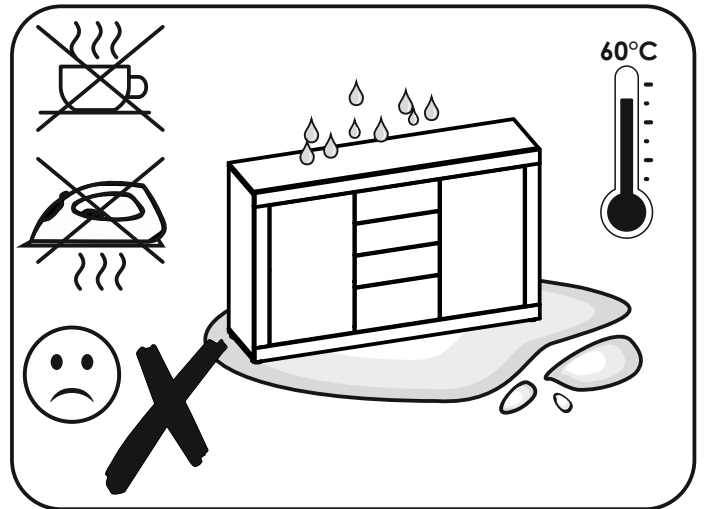
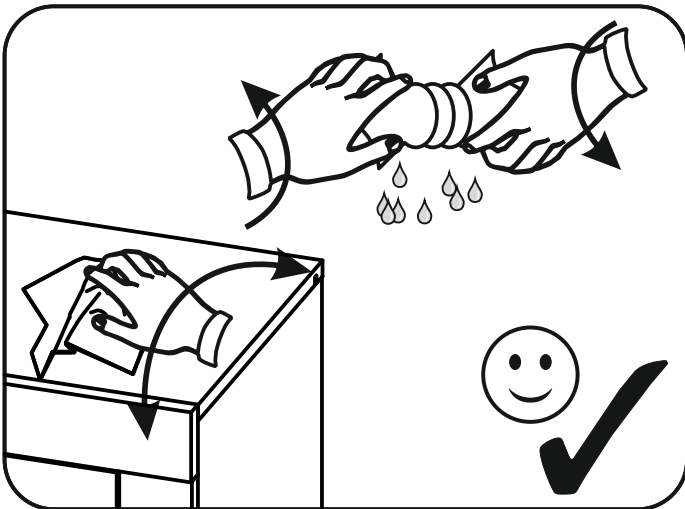
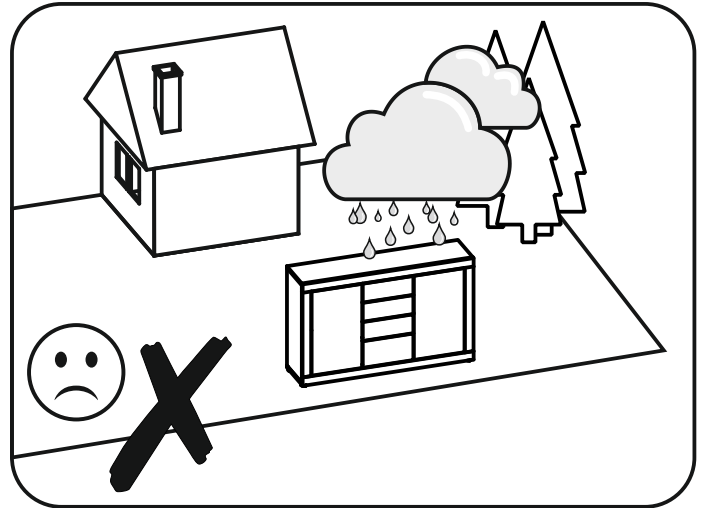


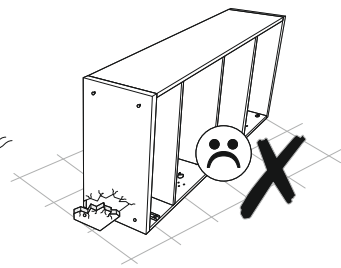
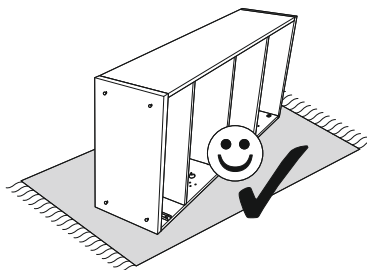
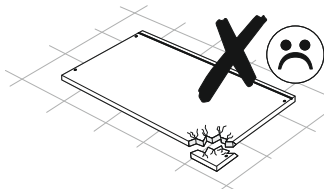
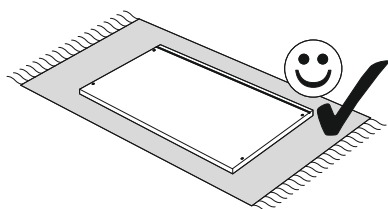
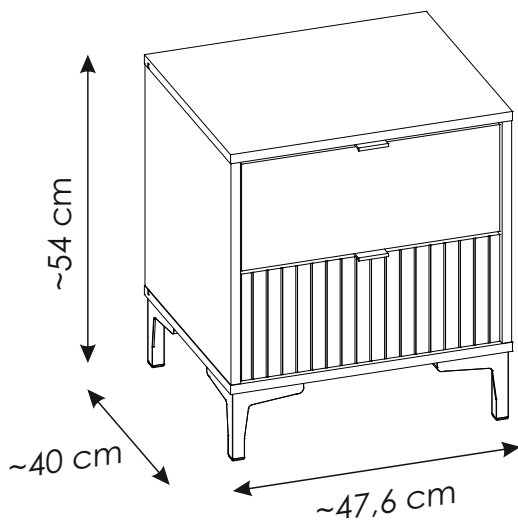
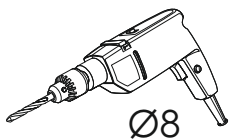
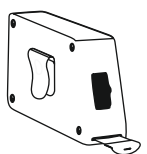
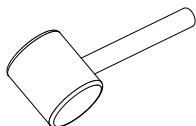
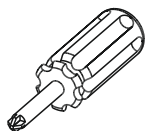
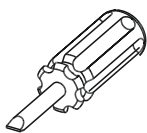
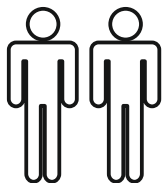
12 x2

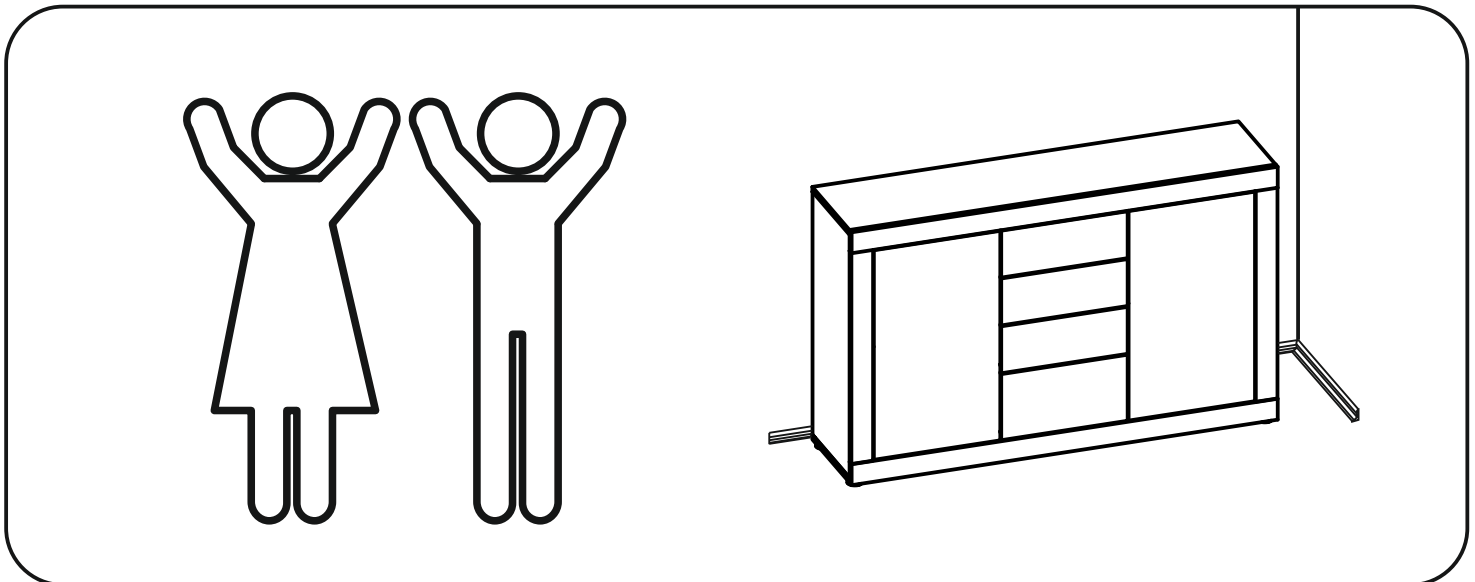
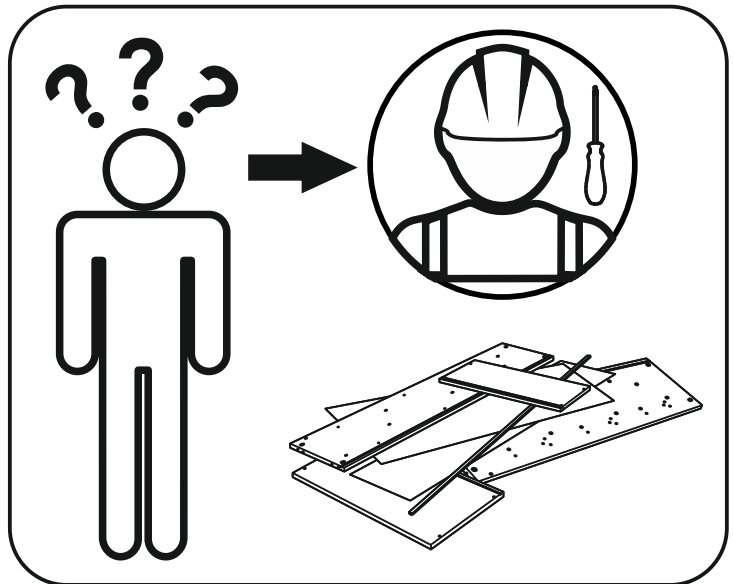
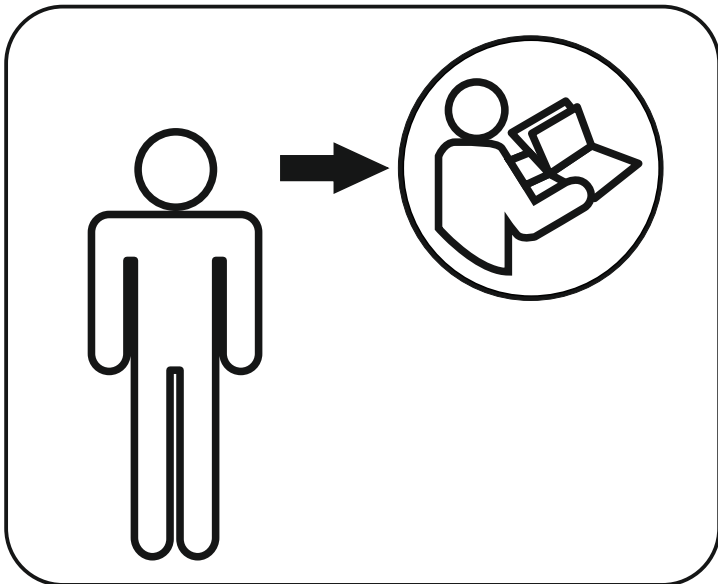
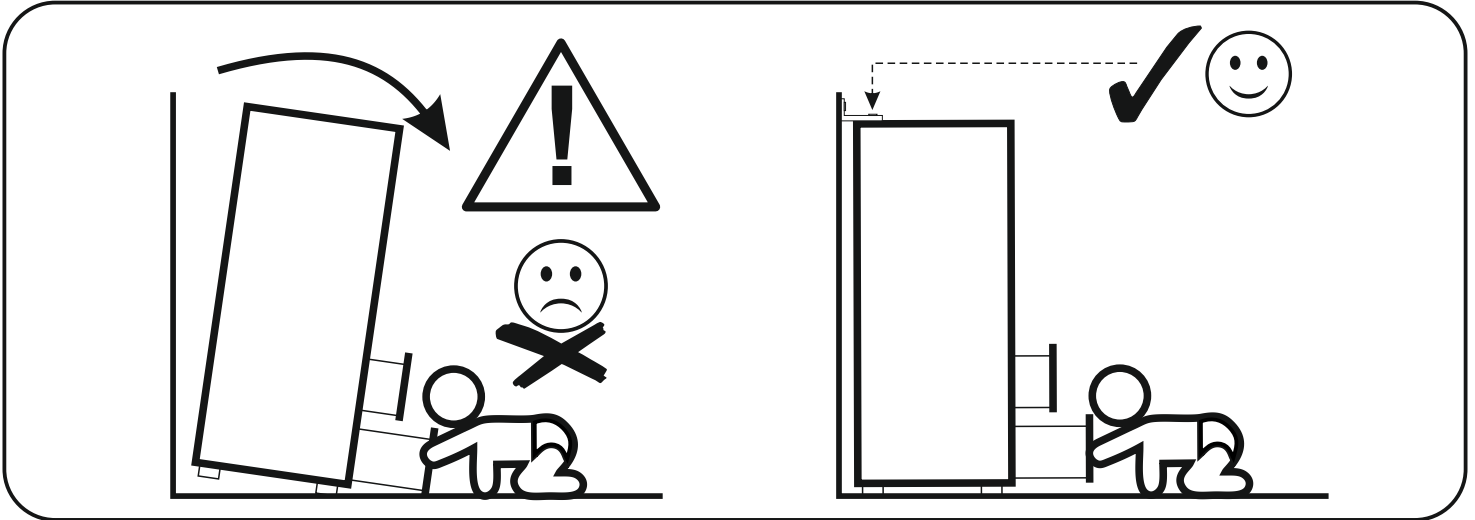
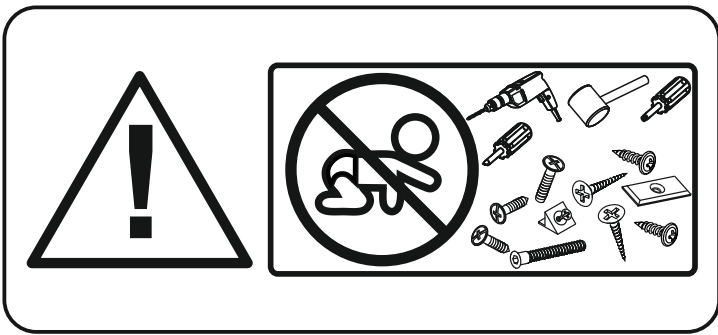


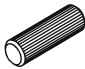
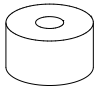
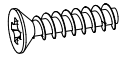
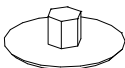

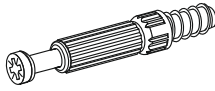
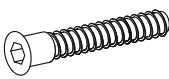
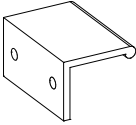
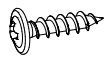
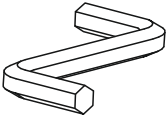
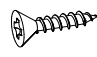



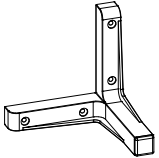
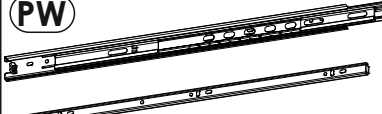
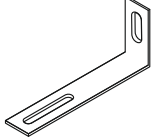
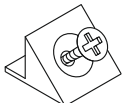

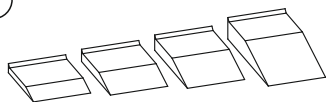


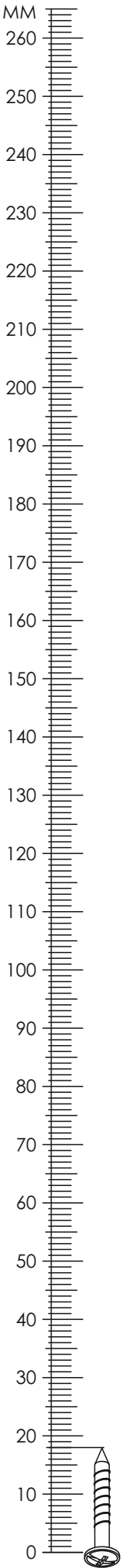


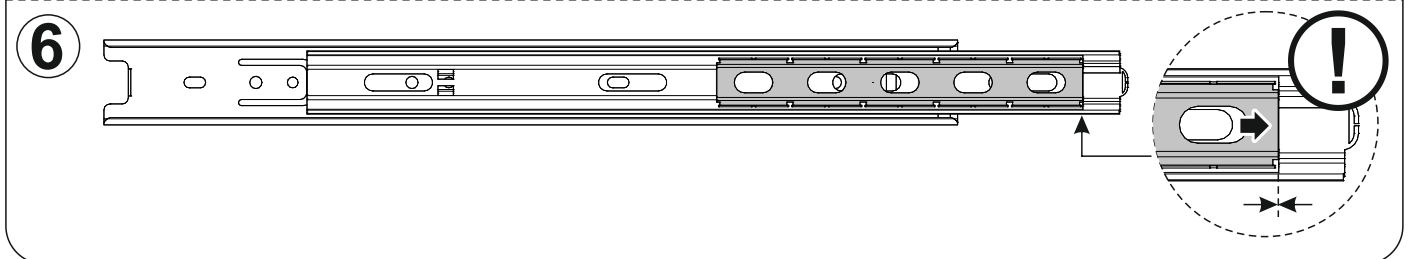
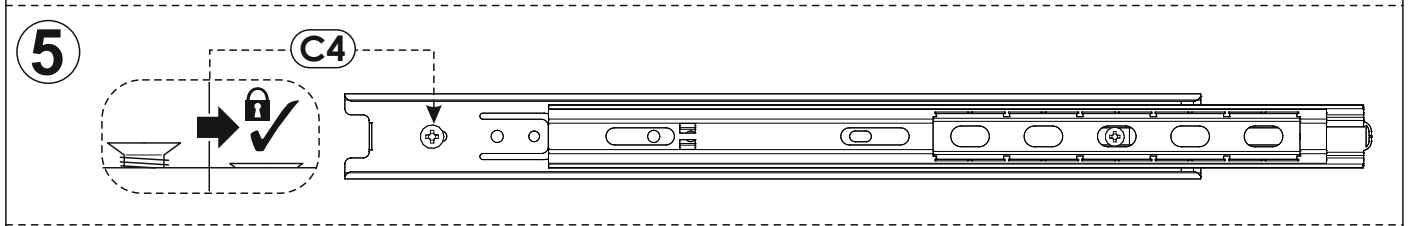
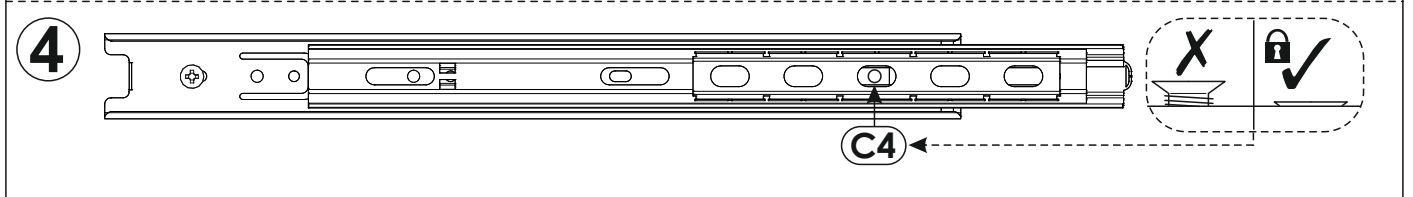
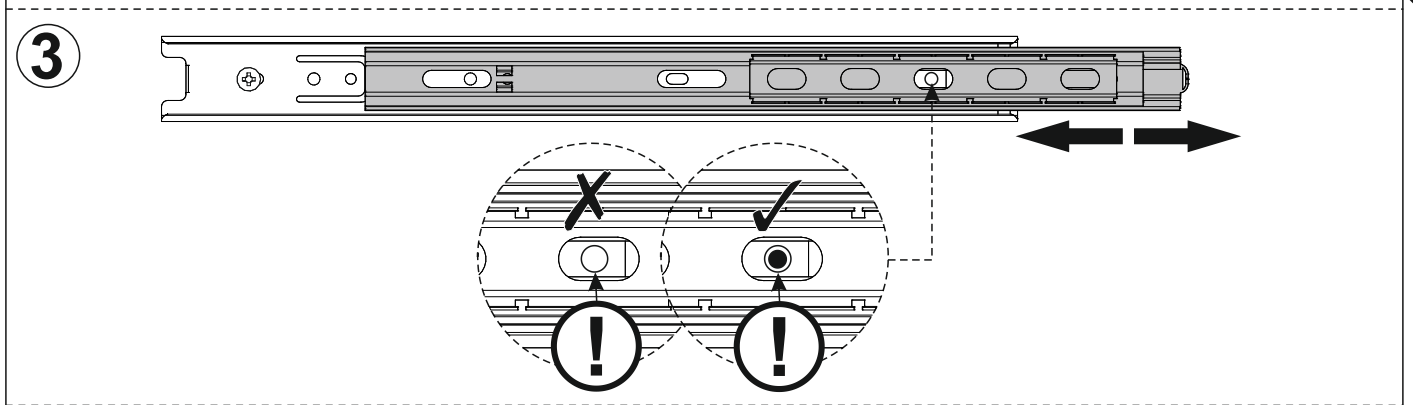
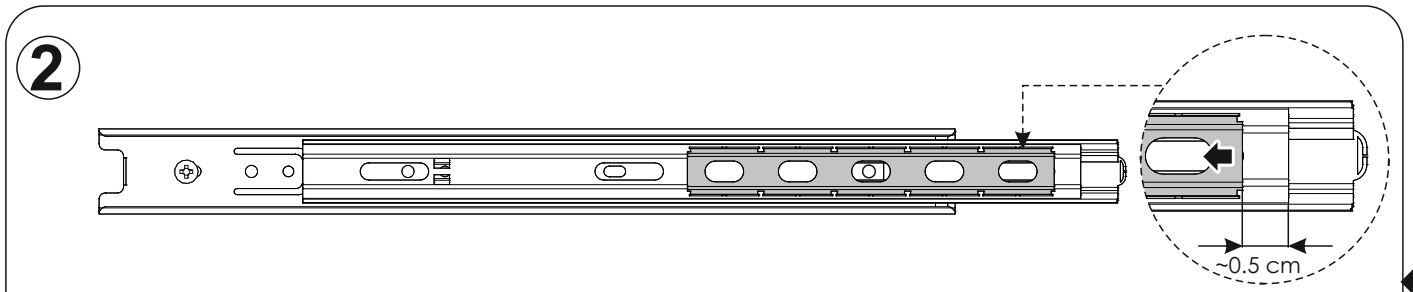
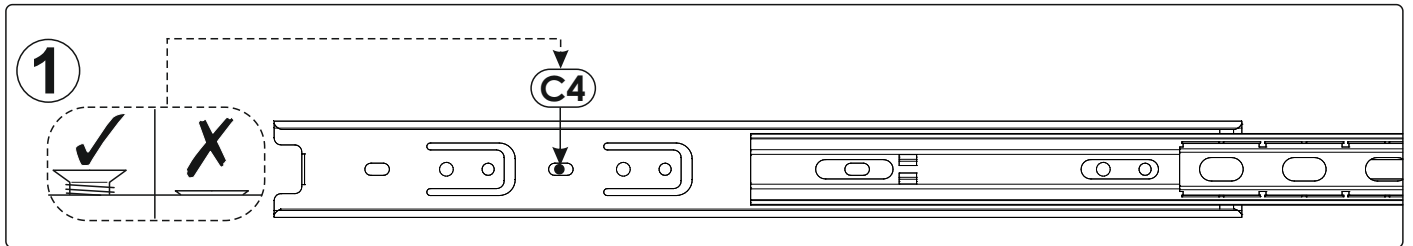
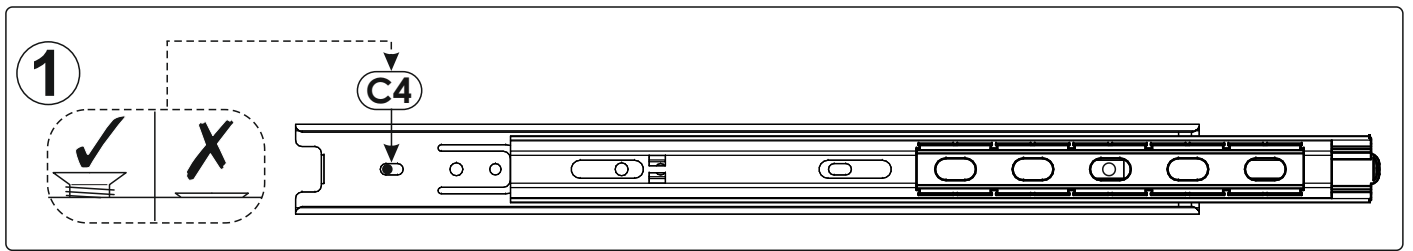


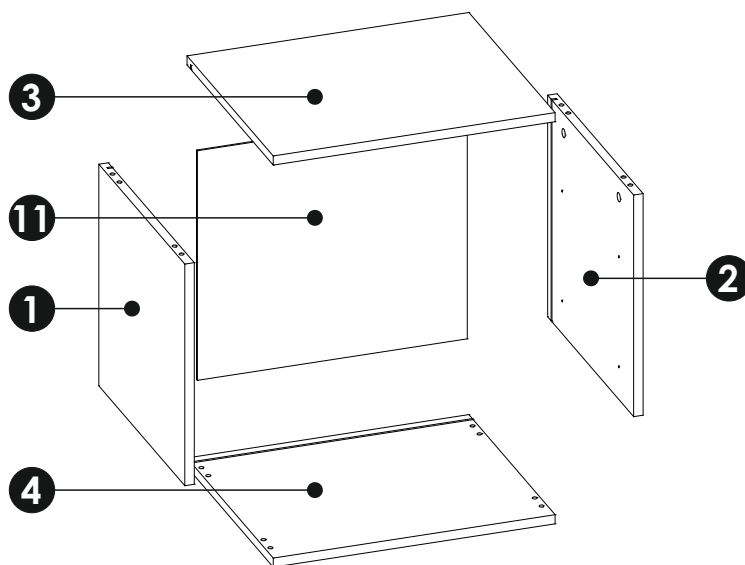
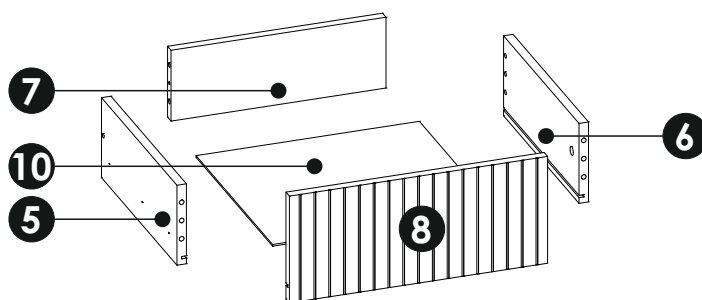
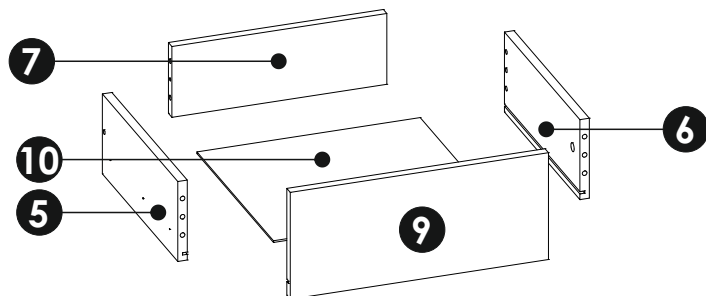




A1 8 x 35 mm x24 	BD H - 11 mm x8 	C4 5 x 20 mm x8 
E0 Ø16 x4 	E1 15 x 12 mm x8 	F1 6 x 34 mm x8 
G1 7 x 50 mm x8 	H1 L - 50 mm x2 	I2 4 x 16 mm x1 
M x1 	N1 3 x 16 mm x10 	N4 3,5 x 13 mm x4 
N5 3,5 x 16 mm x12 	N7 3,5 x 30 mm x16 	O12 x4 
PW L - 350 mm x2 	Q9 x1 	R4 x6 
S13 x1 	Z x1 	

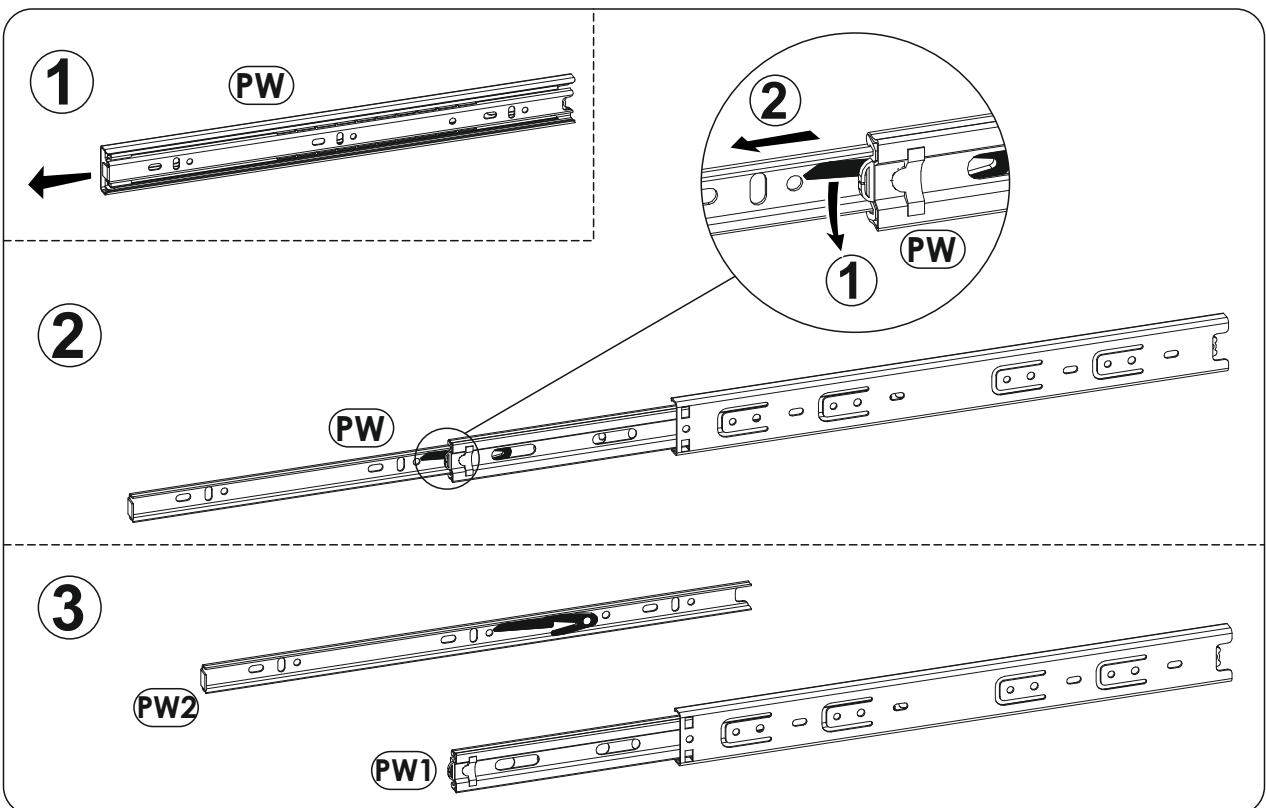
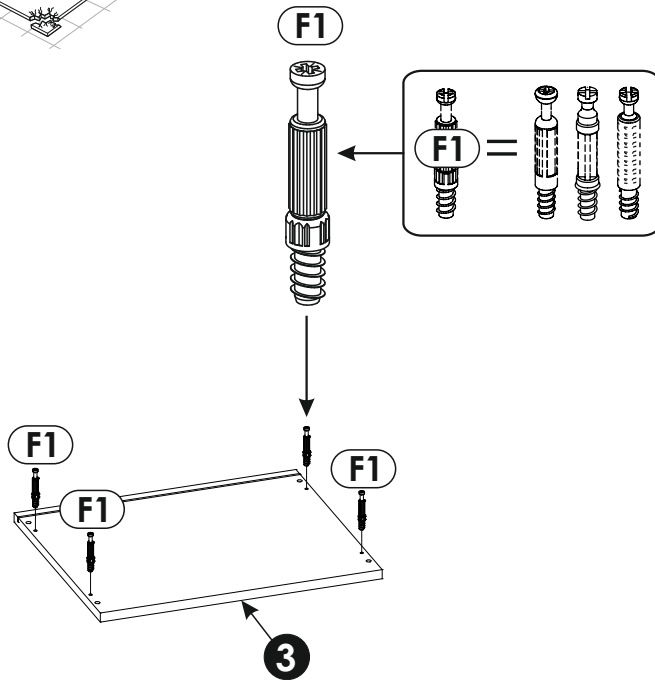
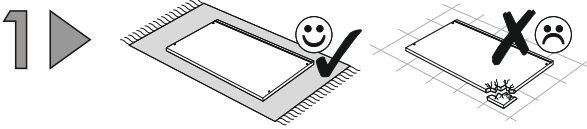
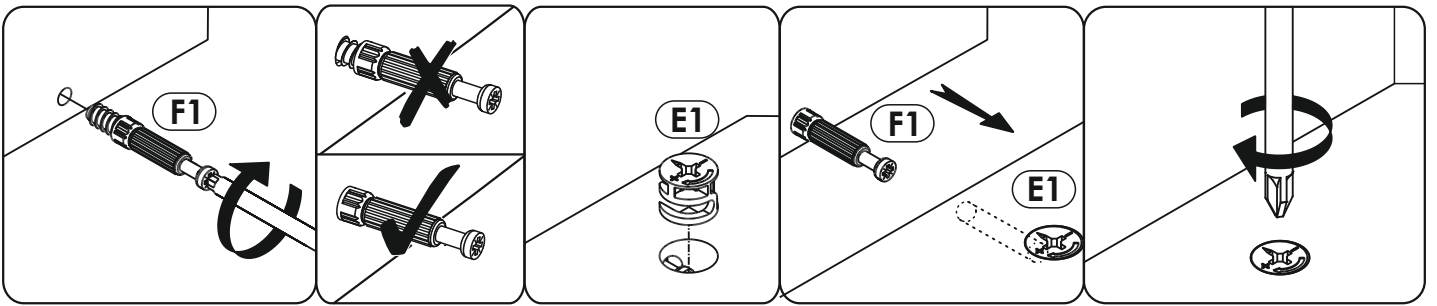


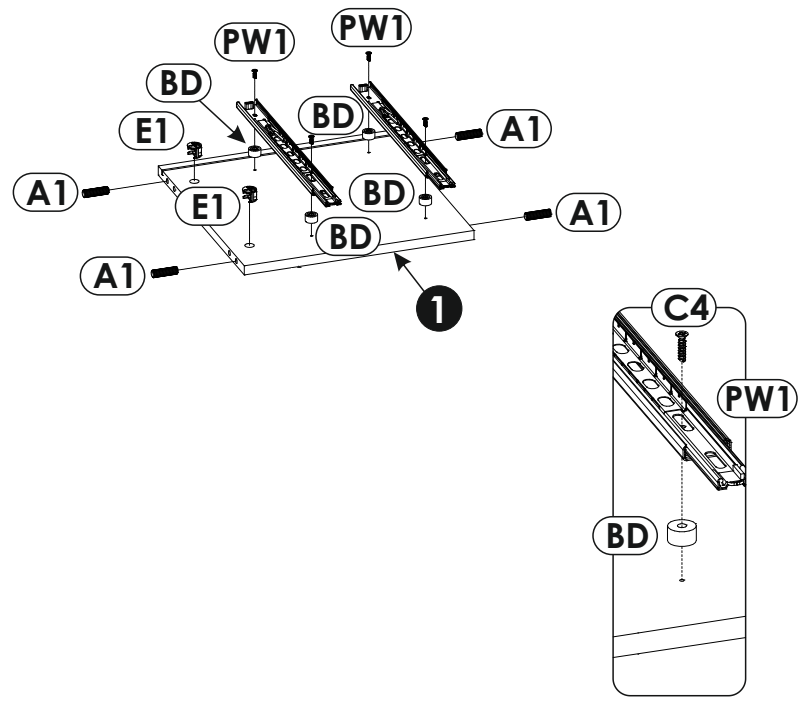
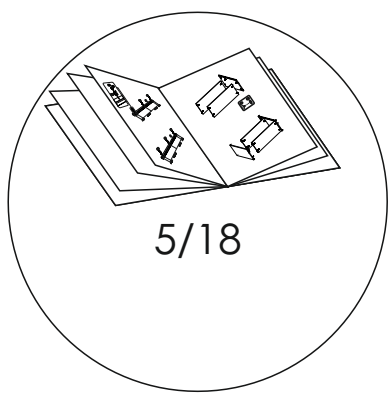
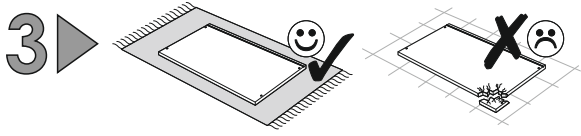
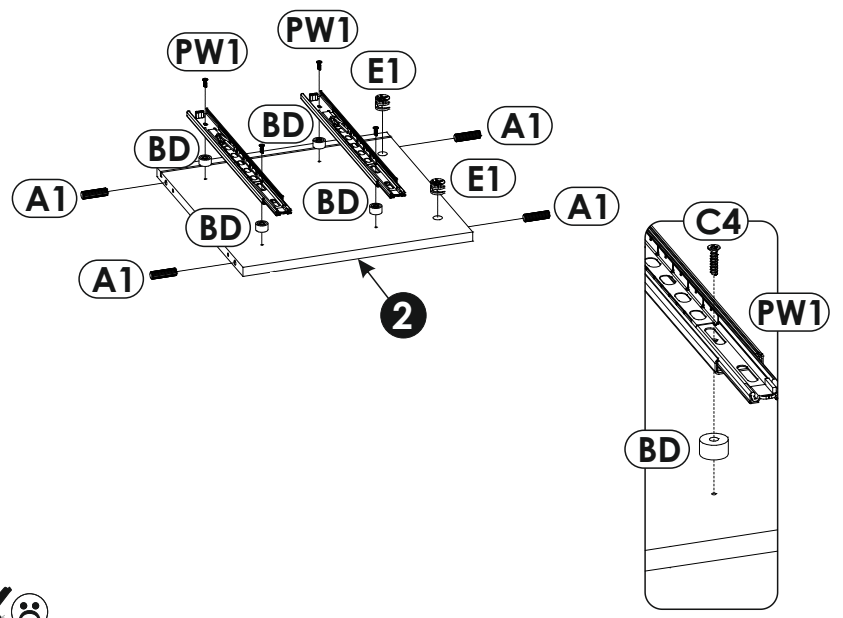
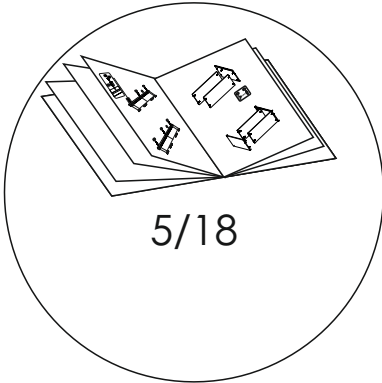
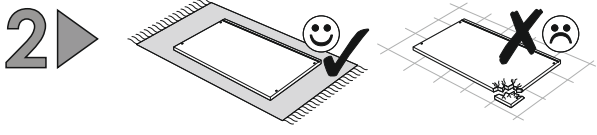


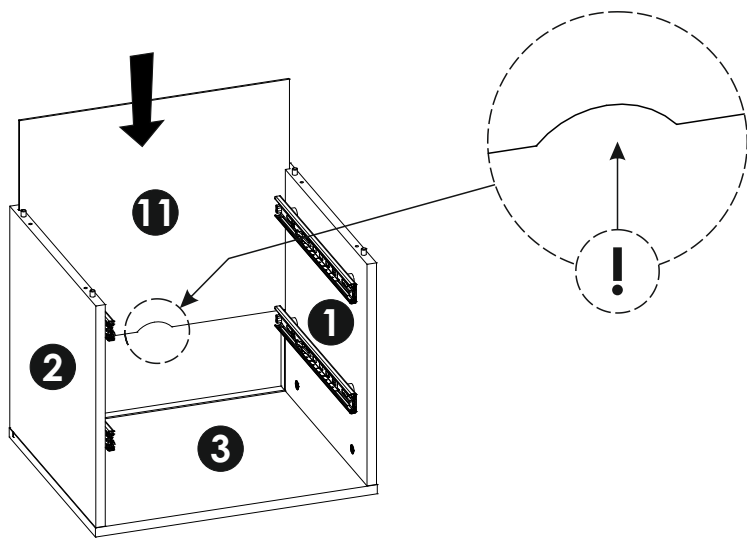
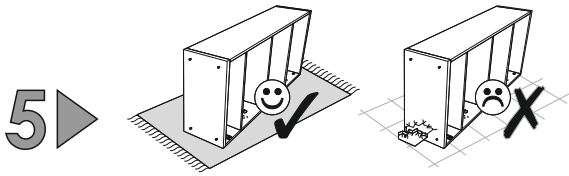
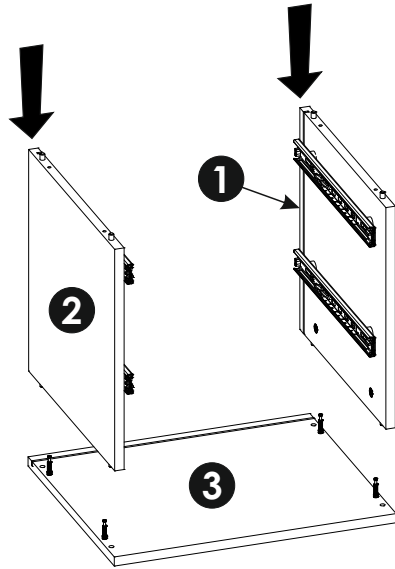
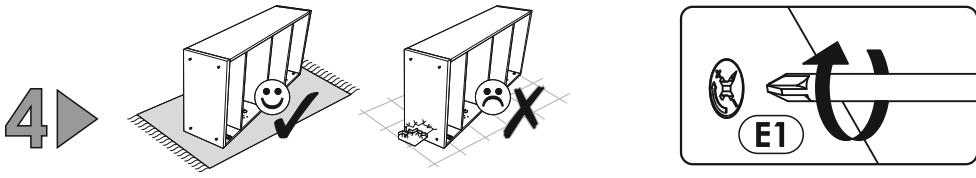


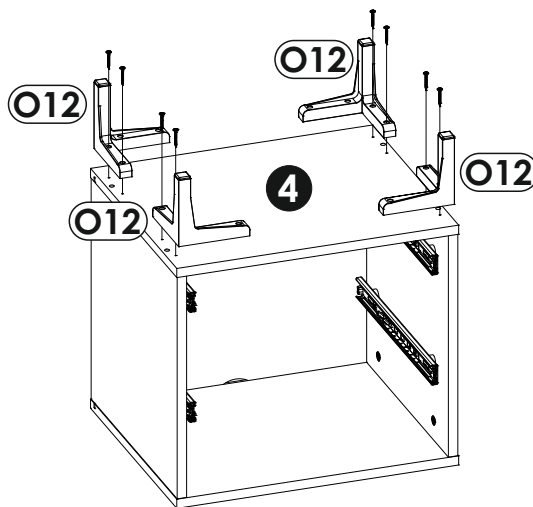
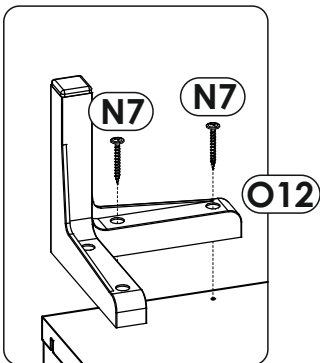
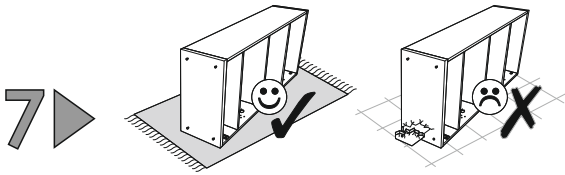
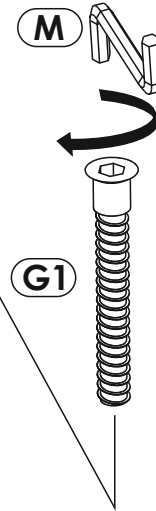
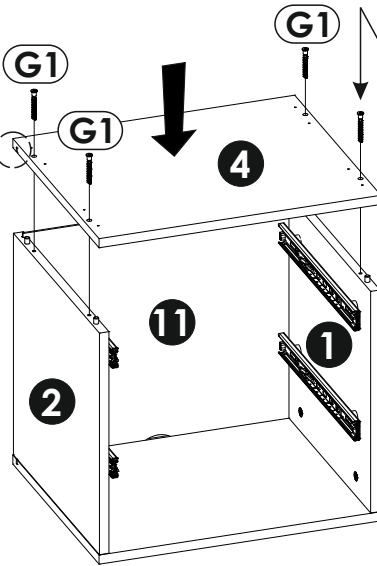
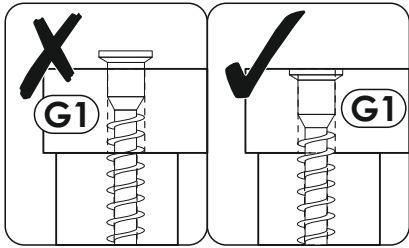
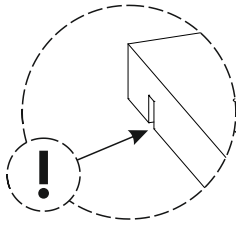
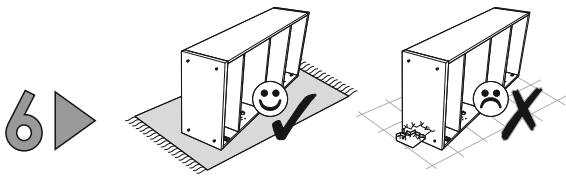
1	388	399	16	x1	1/1
2	388	399	16	x1	1/1
3	476	400	16	x1	1/1
4	476	400	16	x1	1/1
5	350	140	16	x2	1/1
6	350	140	16	x2	1/1

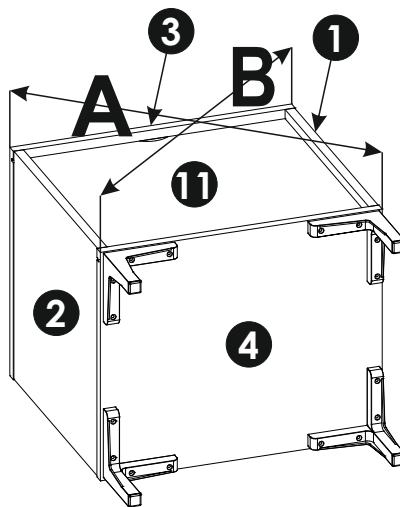
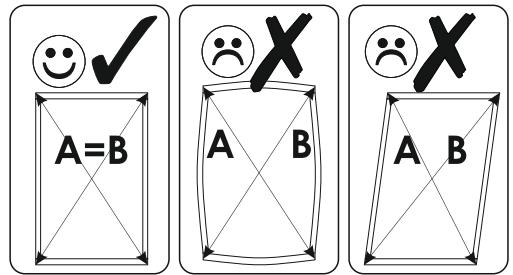
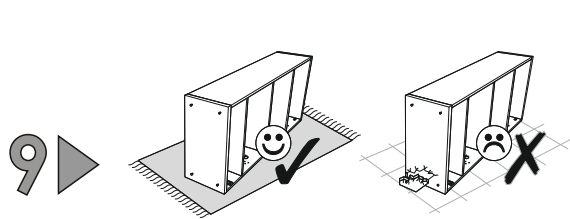
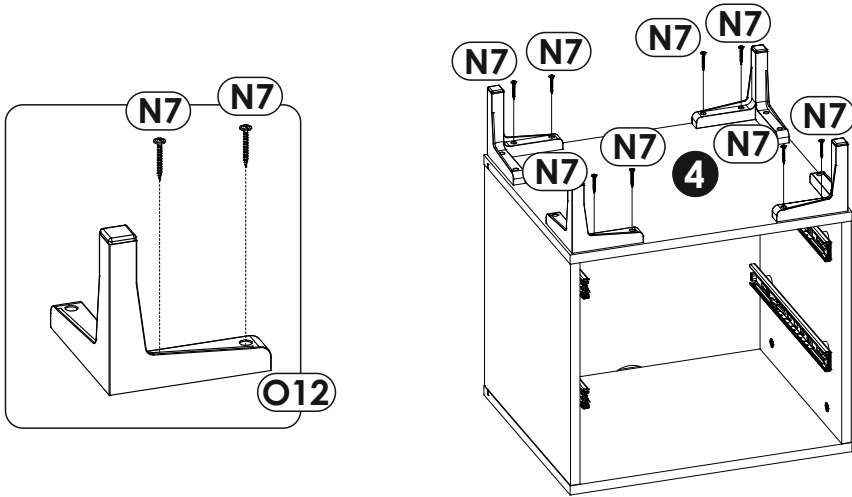
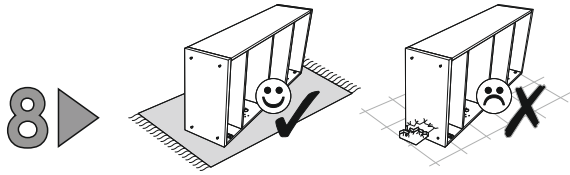
7	363	124	16	x2	1/1
8	187	436	16	x1	1/1
9	436	187	16	x1	1/1
10	377	355	3	x2	1/1
11	402	456	3	x1	1/1



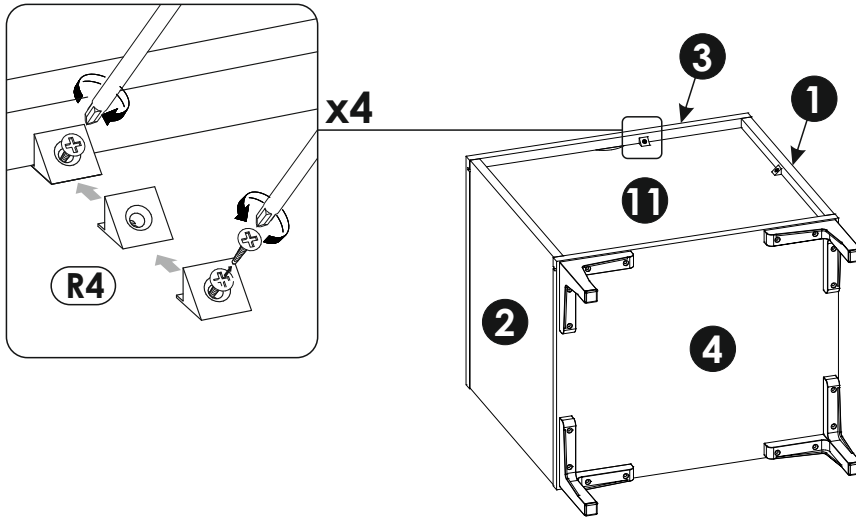
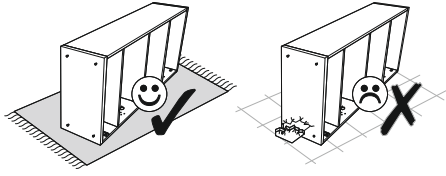


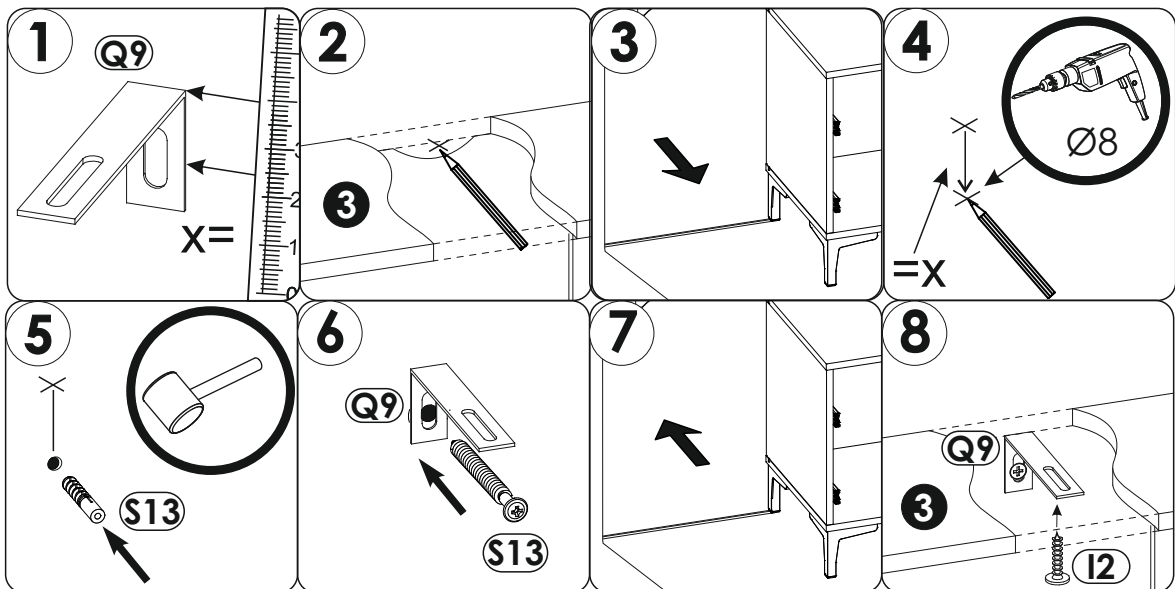
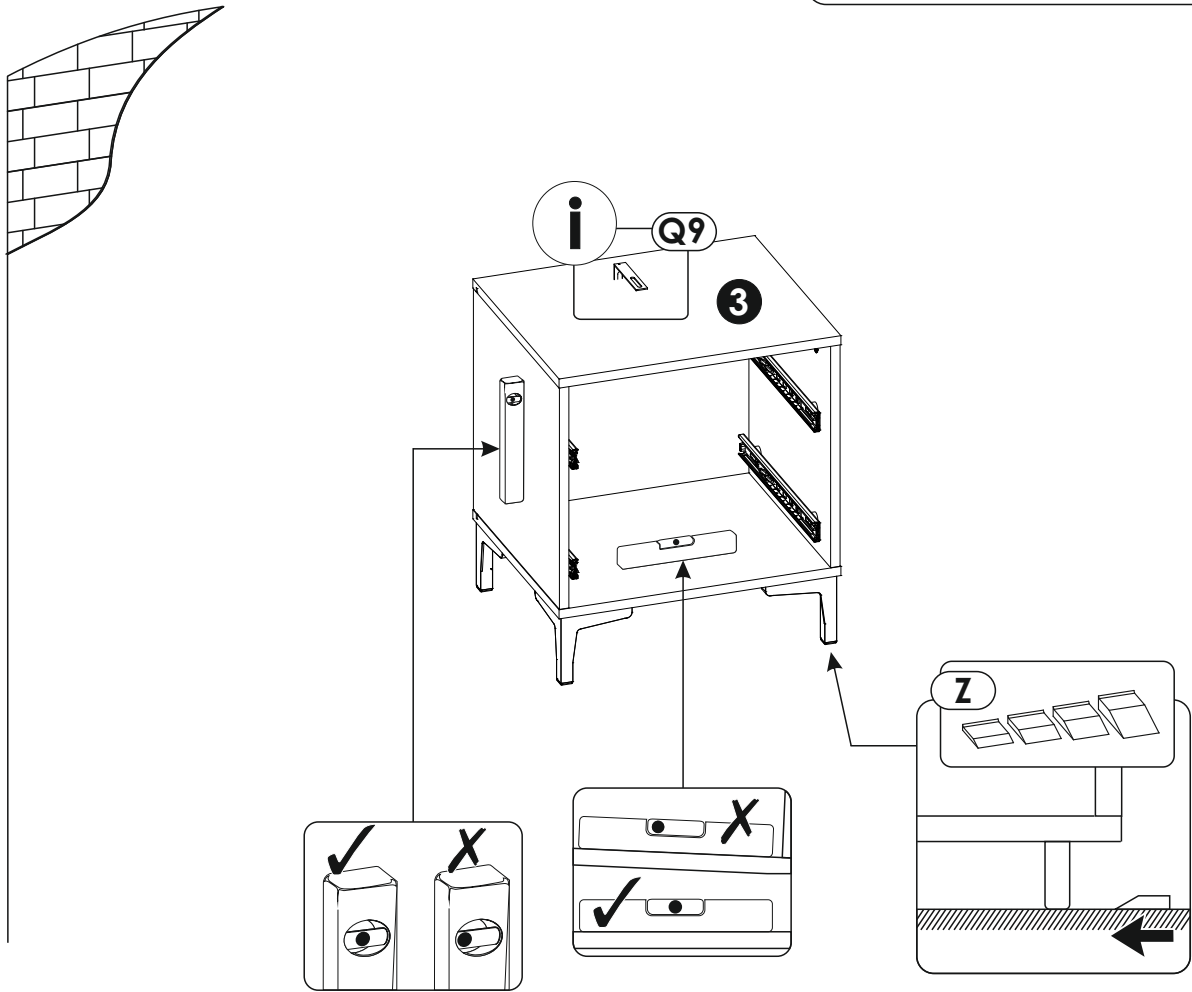
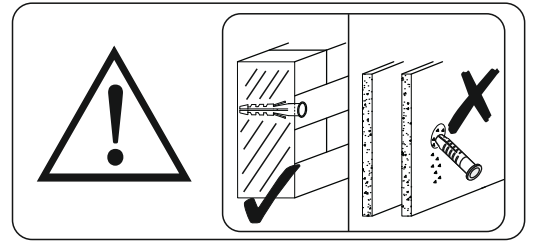


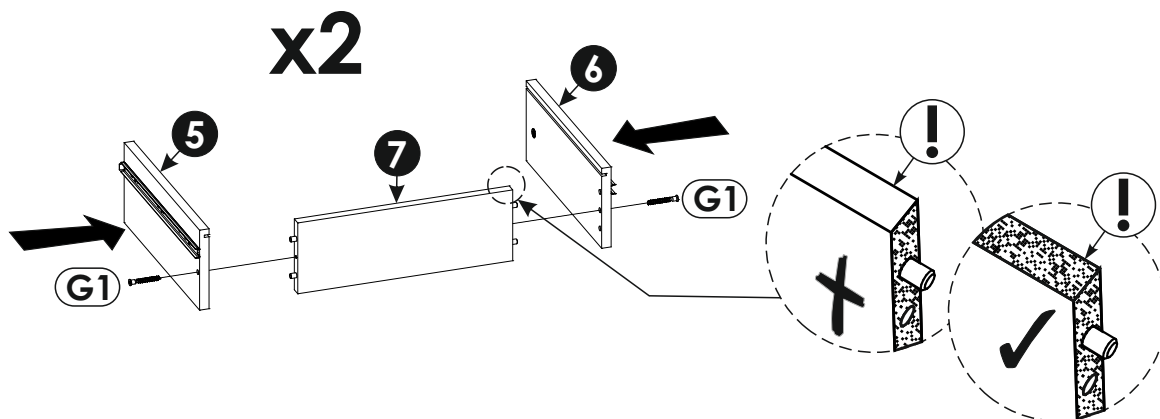
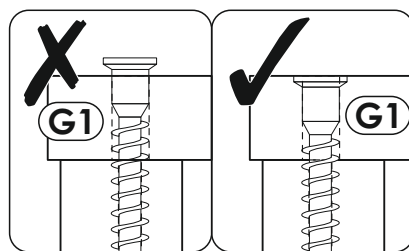
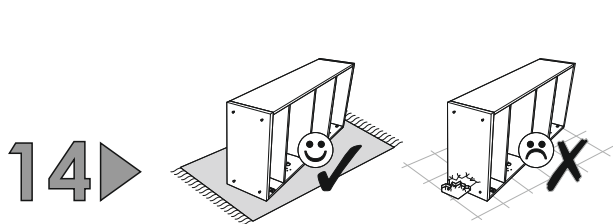
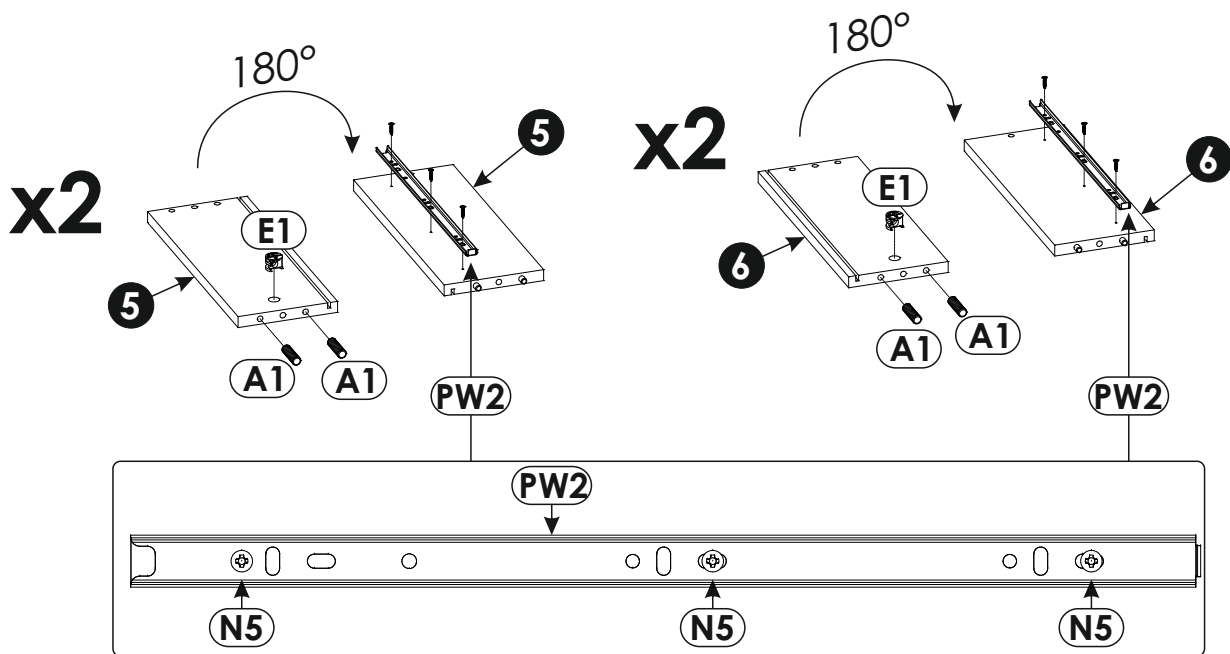
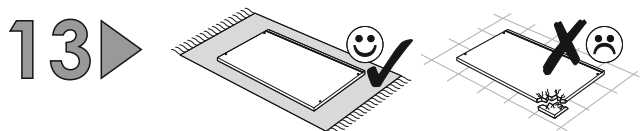
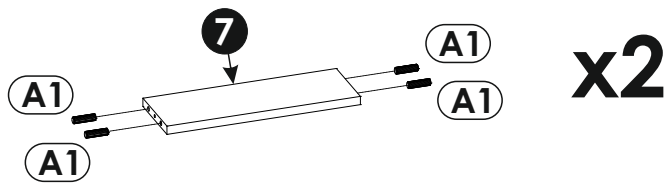
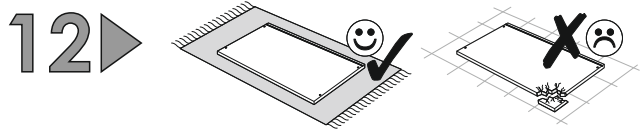




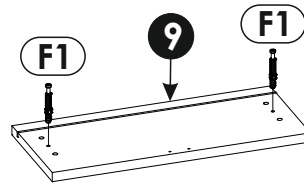
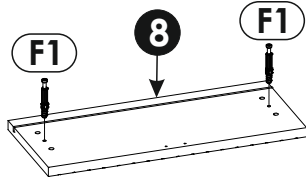
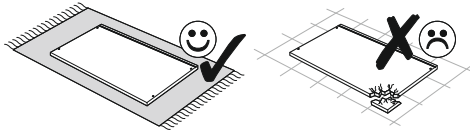
10 ▶



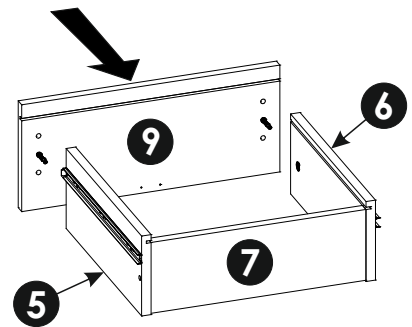
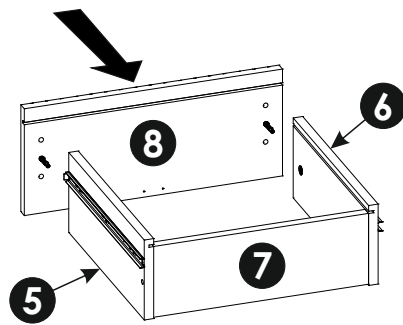
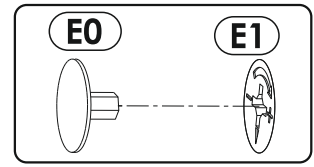
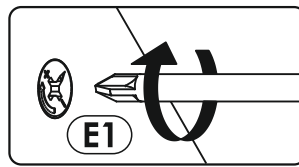
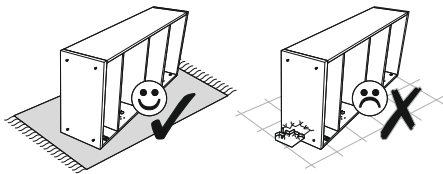




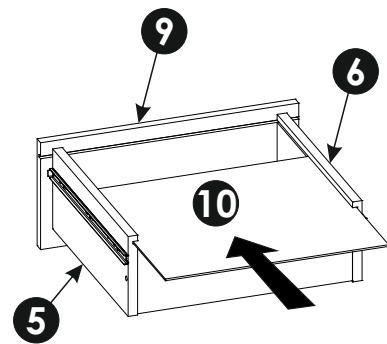
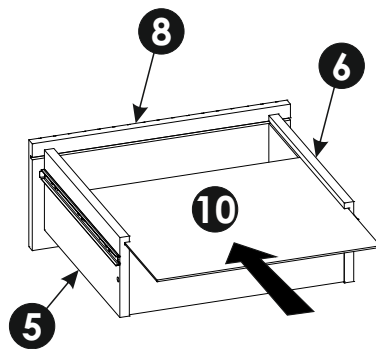
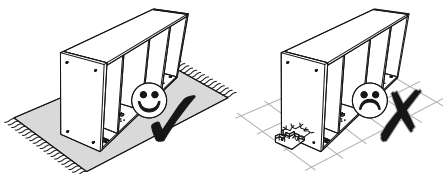
15 ▶



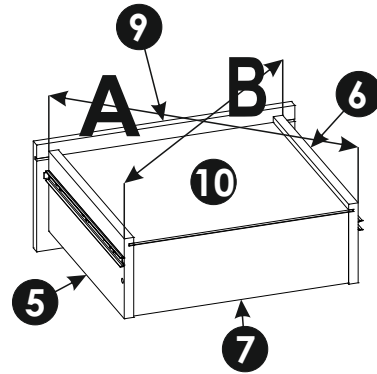
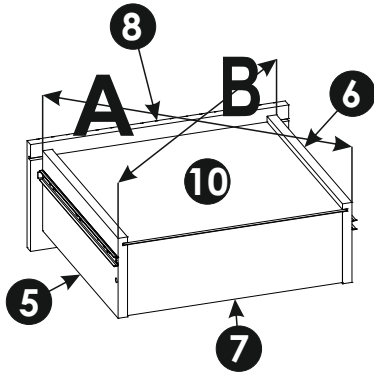
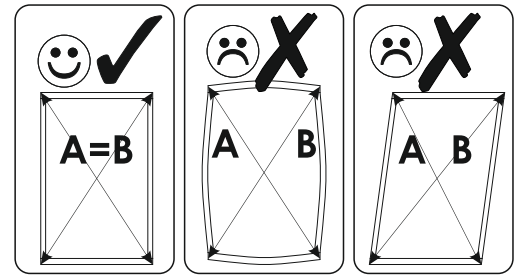
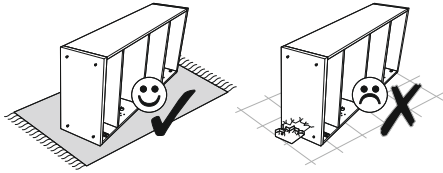
16 ▶



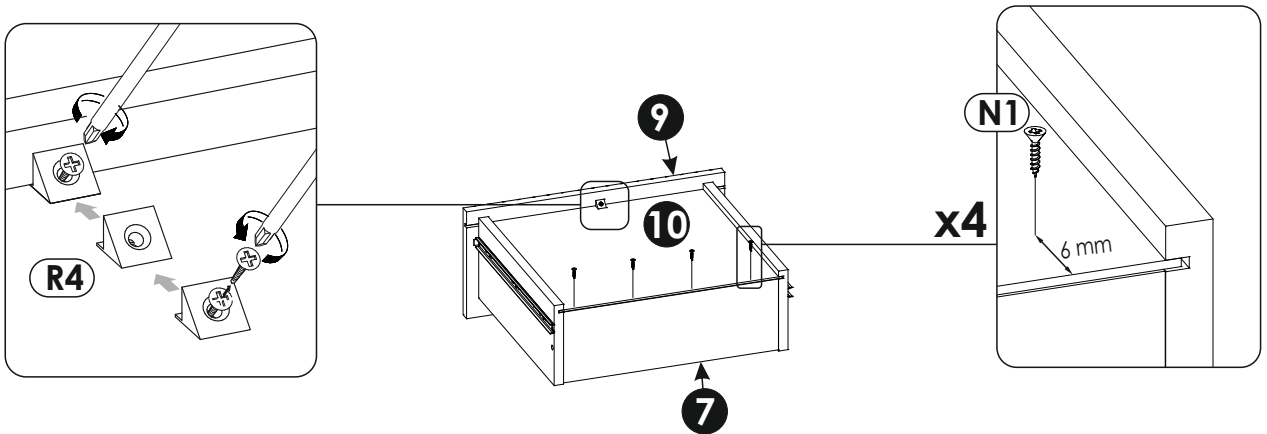
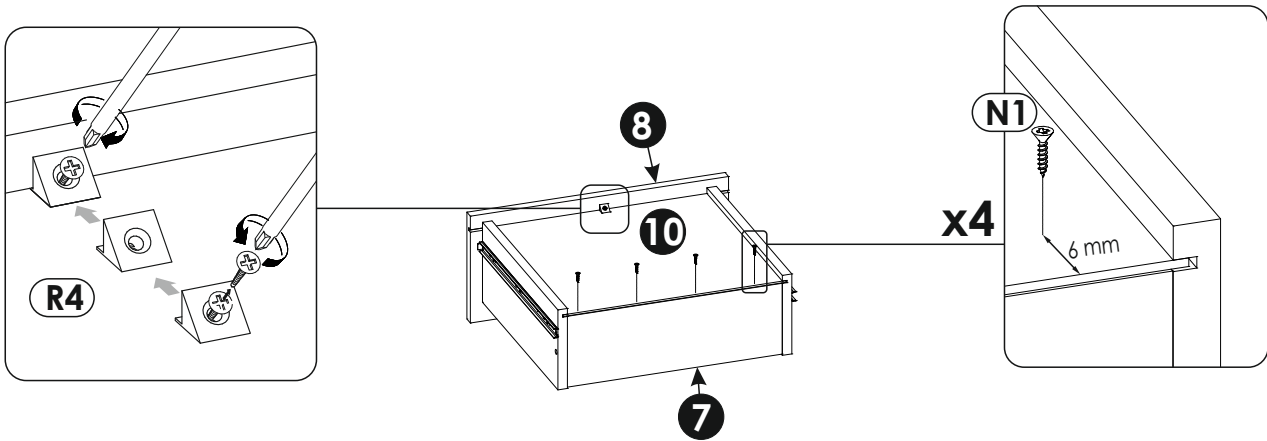
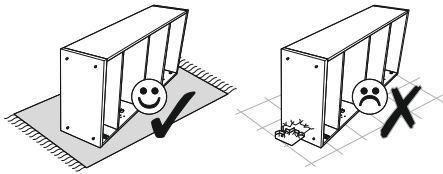
17 ▶



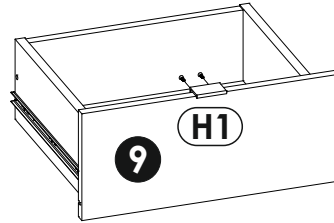
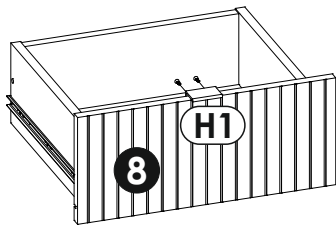
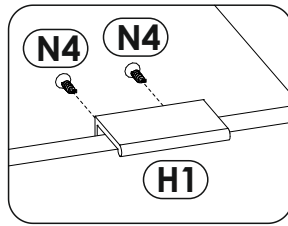
18 ▶



19 ▶



20 ▶



21 ▶

