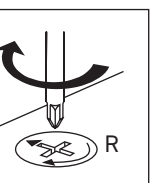
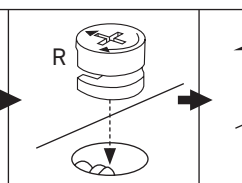
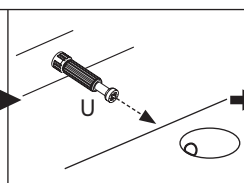
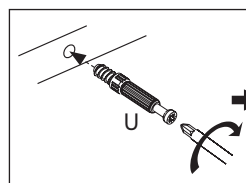
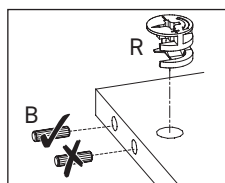
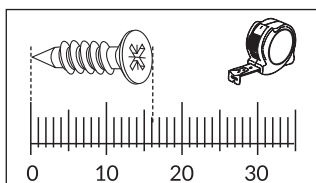
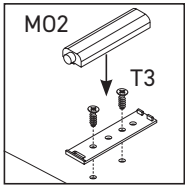
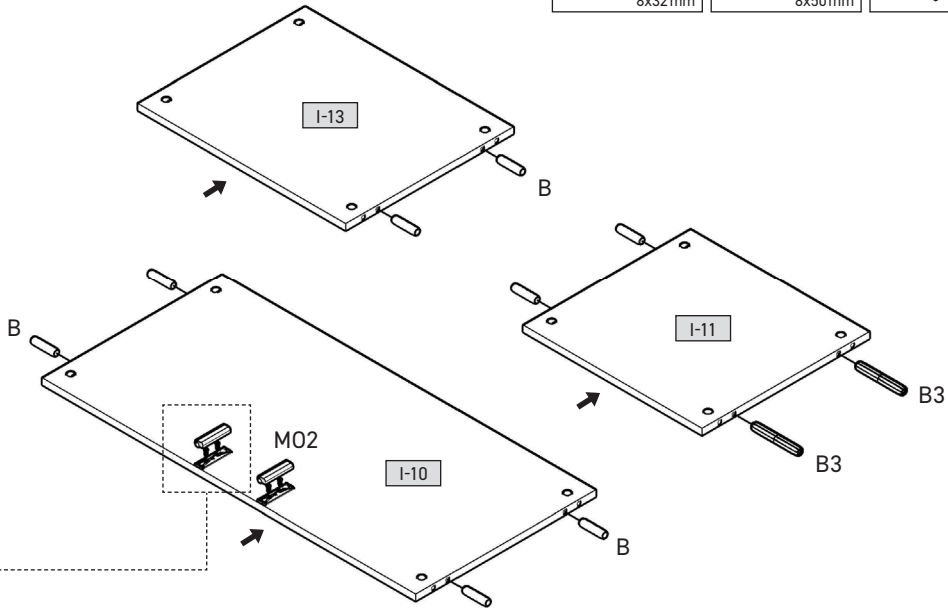
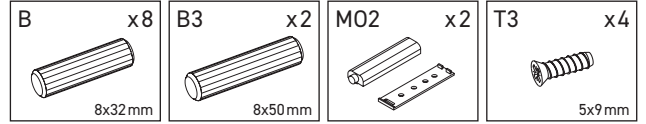


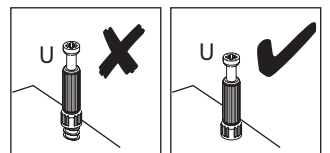
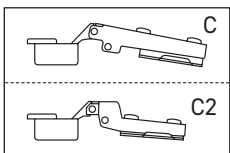
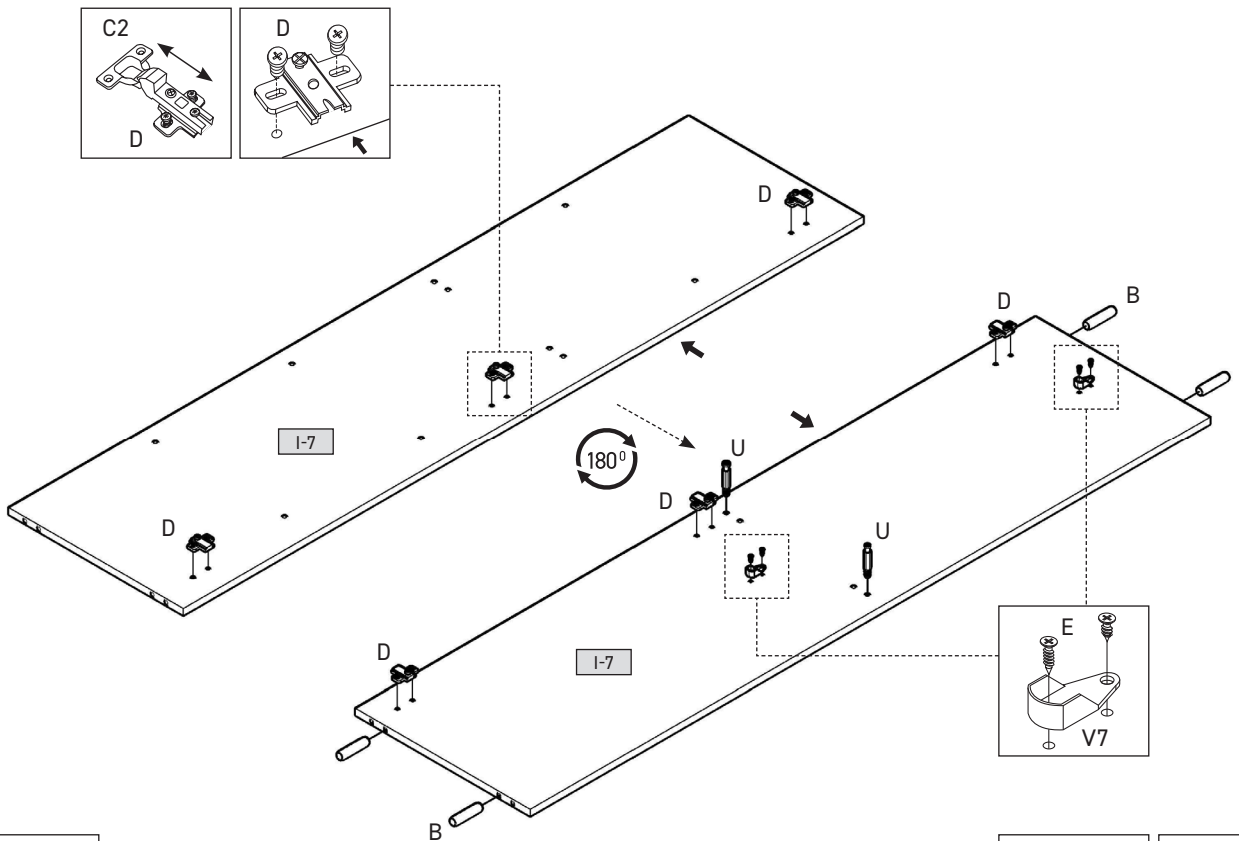
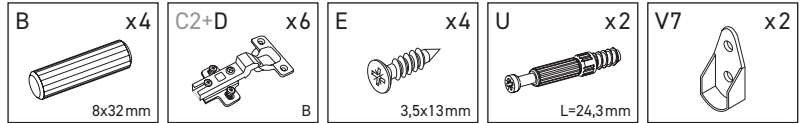
I-1	2168	505	16	x 1	3/4
I-2	2168	505	16	x 1	3/4
I-3	2168	80	16	x 2	3/4
I-4	2080	520	16	x 1	1/4
I-5	2080	520	16	x 1	1/4
I-6	1968	505	16	x 1	2/4
I-7	1968	505	16	x 1	2/4
I-8	1968	120	16	x 1	3/4
I-9	1962	24	16	x 1	3/4
I-10	1050	505	16	x 1	1/4
I-11	502	470	16	x 1	1/4
I-12	502	470	16	x 3	2/4
I-13	584	470	16	x 1	1/4
I-14	584	470	16	x 3	2/4
I-15	534	1997	16	x 3	4/4
I-16	534	1997	16	x 1	4/4
I-17	2200	180	16	x 1	3/4
I-18	2096	180	16	x 2	1/4
I-19	1999	600	3	x 1	3/4
I-20	1999	517	3	x 1	3/4
I-21	1999	1064	3	x 1	1/4



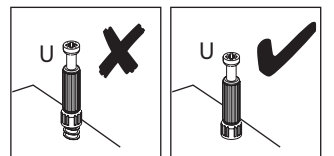
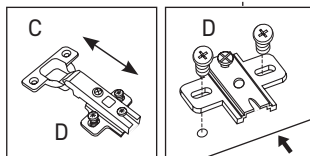
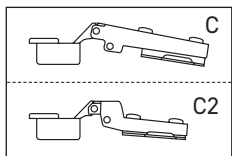
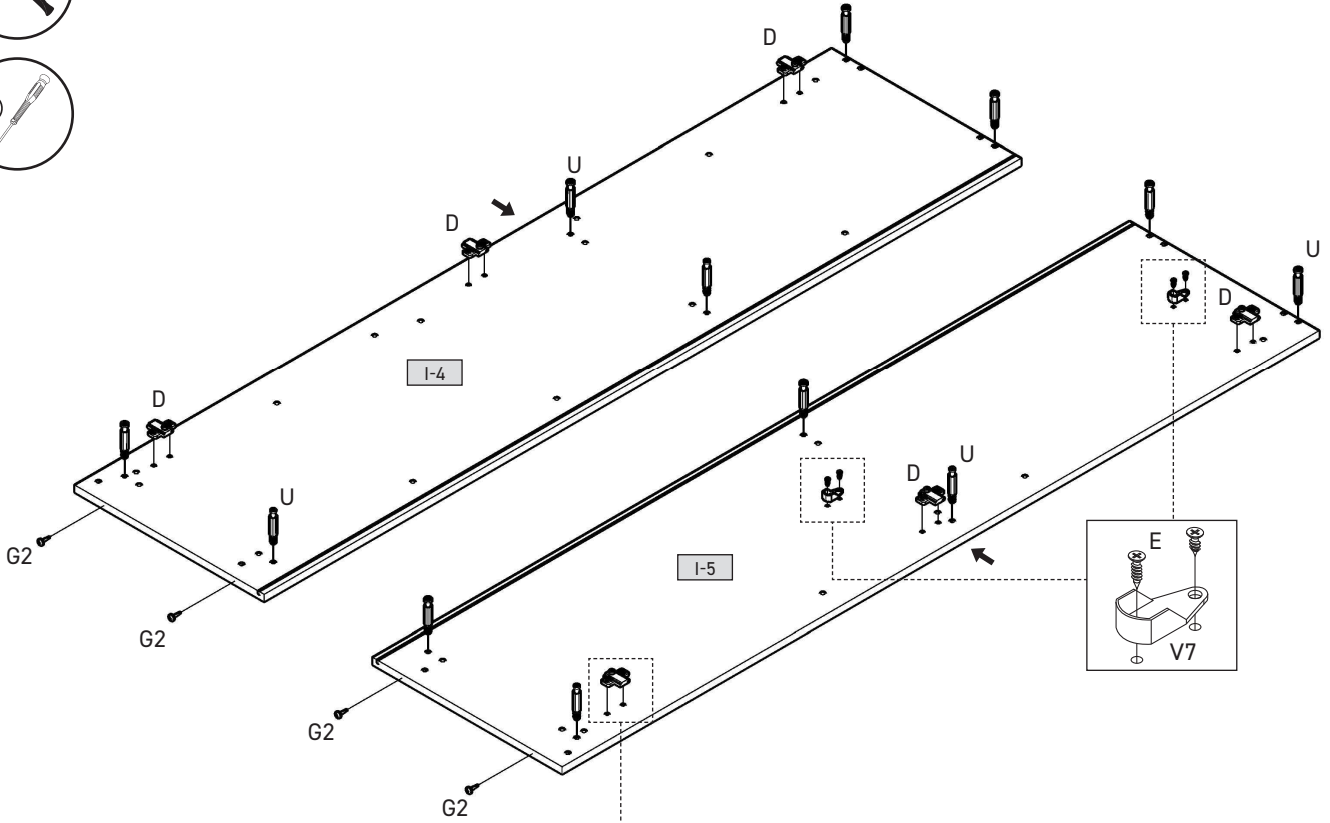
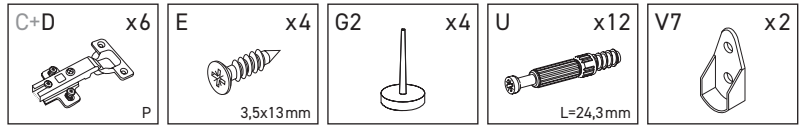
1



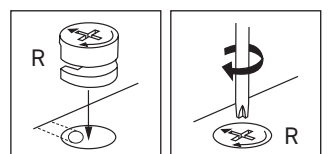
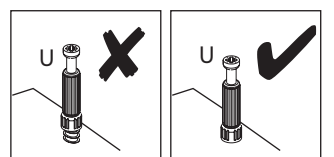
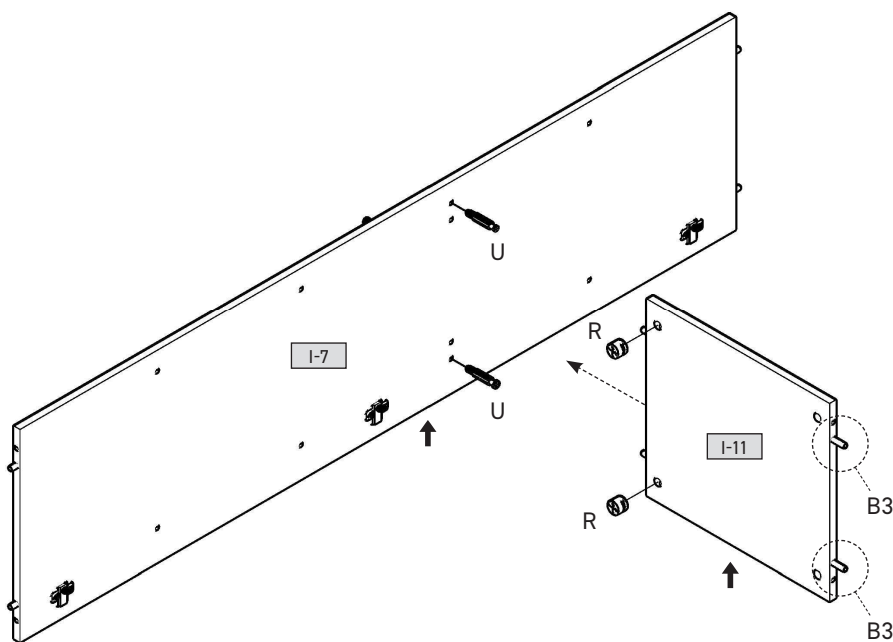
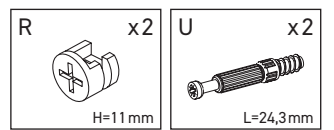
2

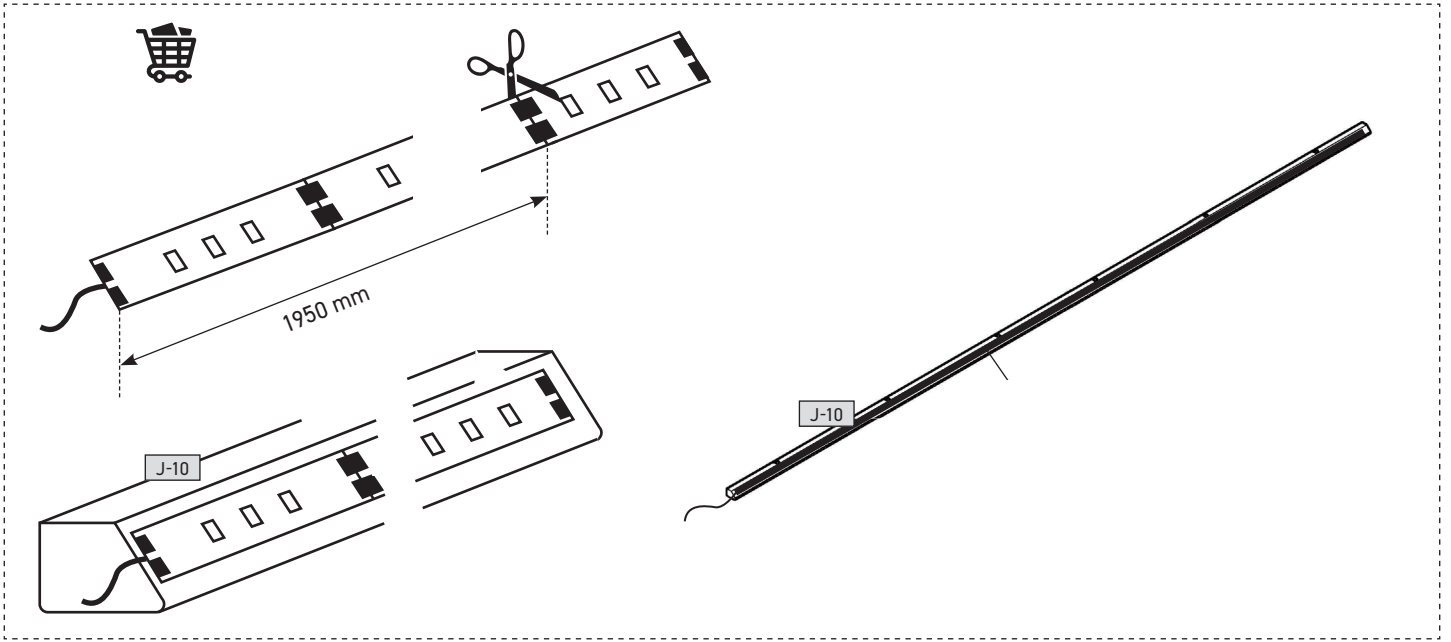


3

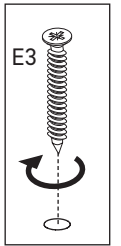
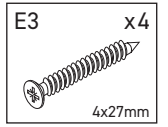
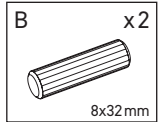
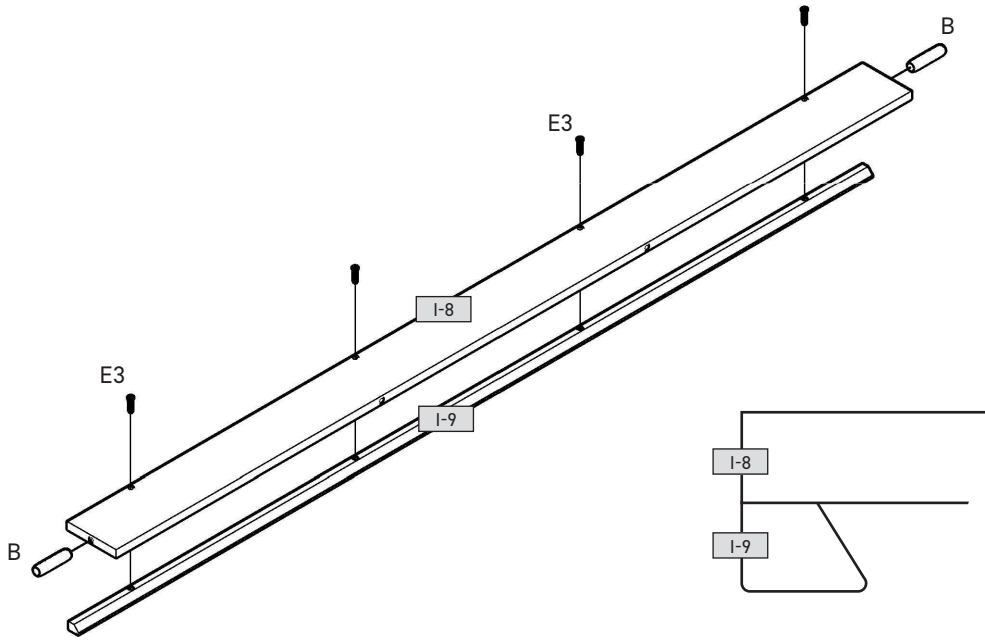


4

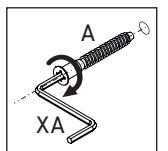
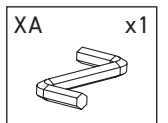
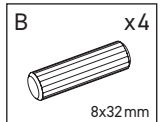
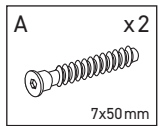
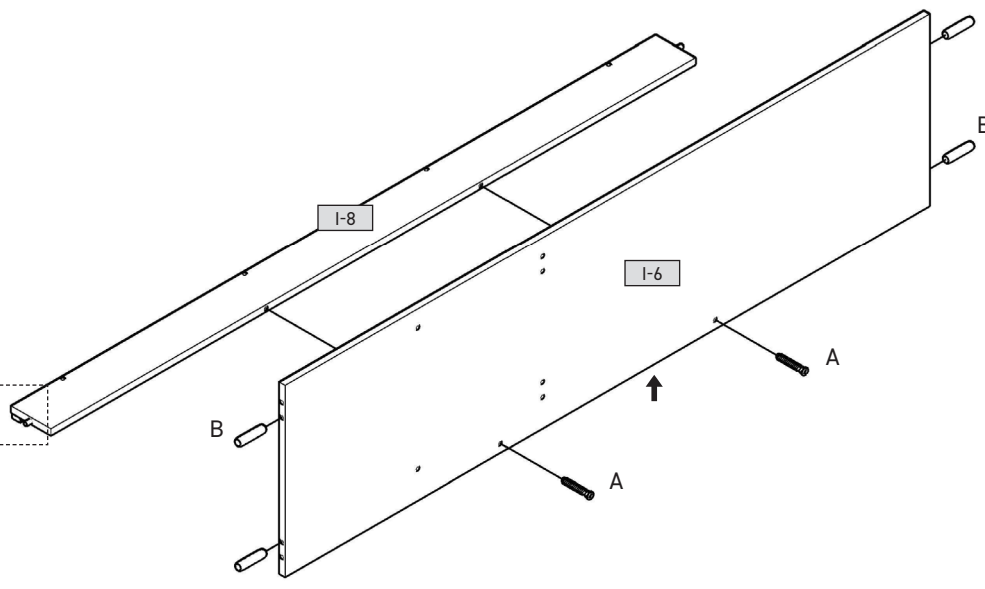




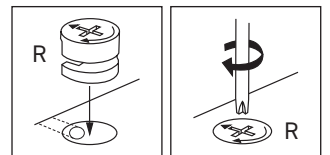
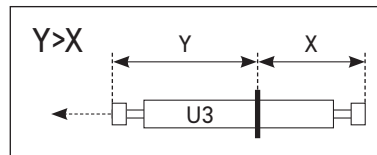
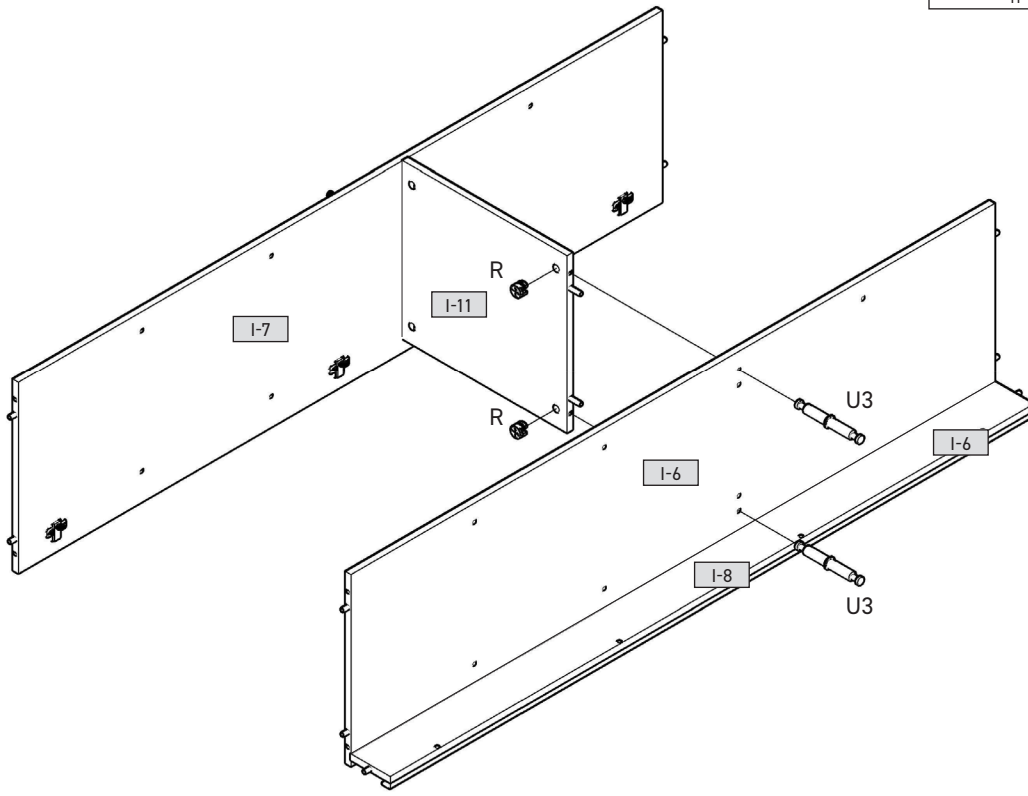
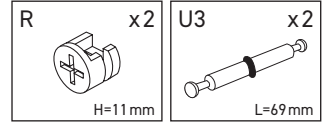
5



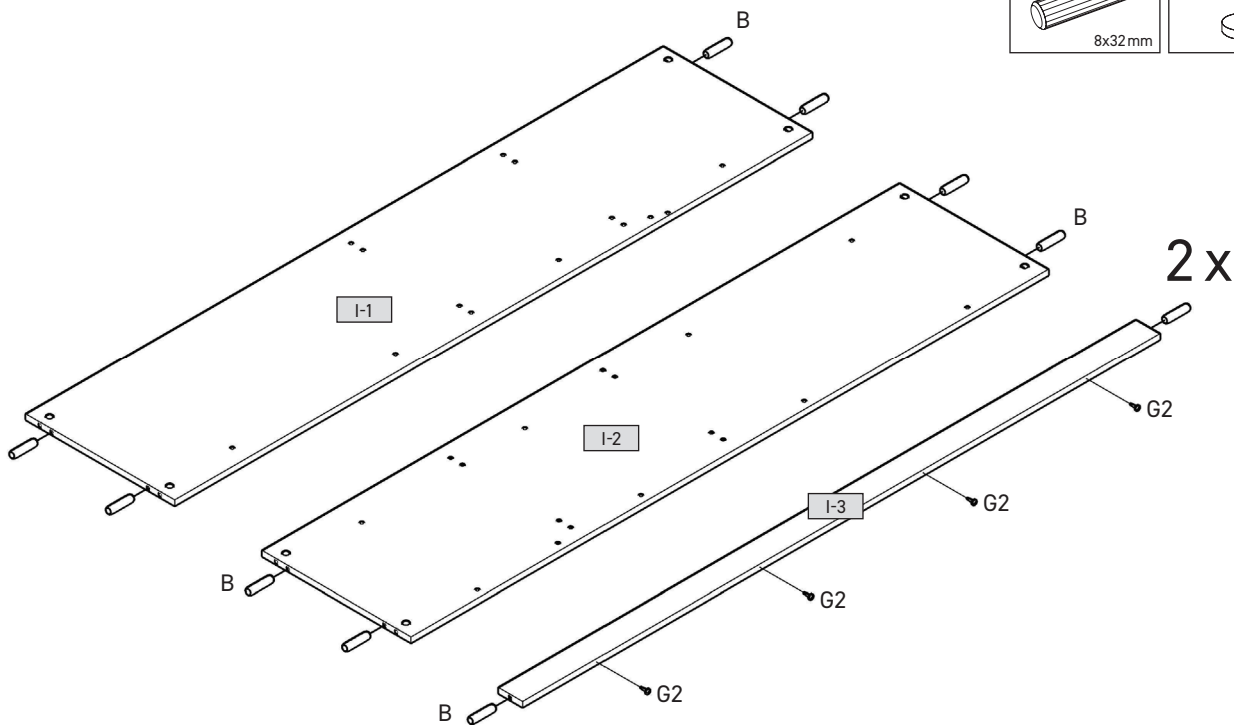
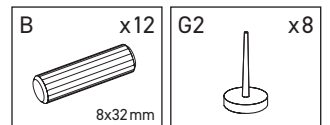
6



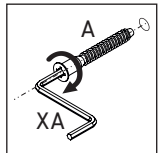
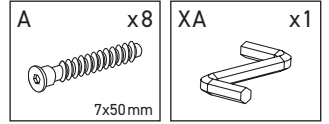
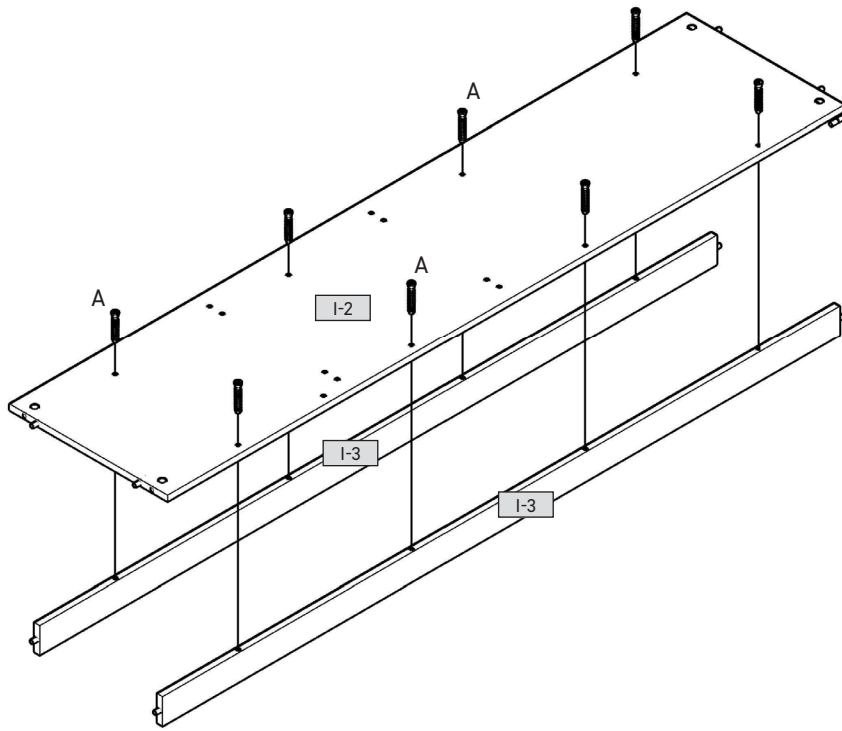
7



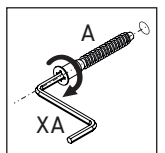
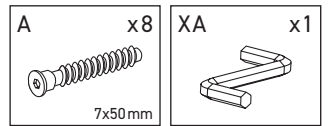
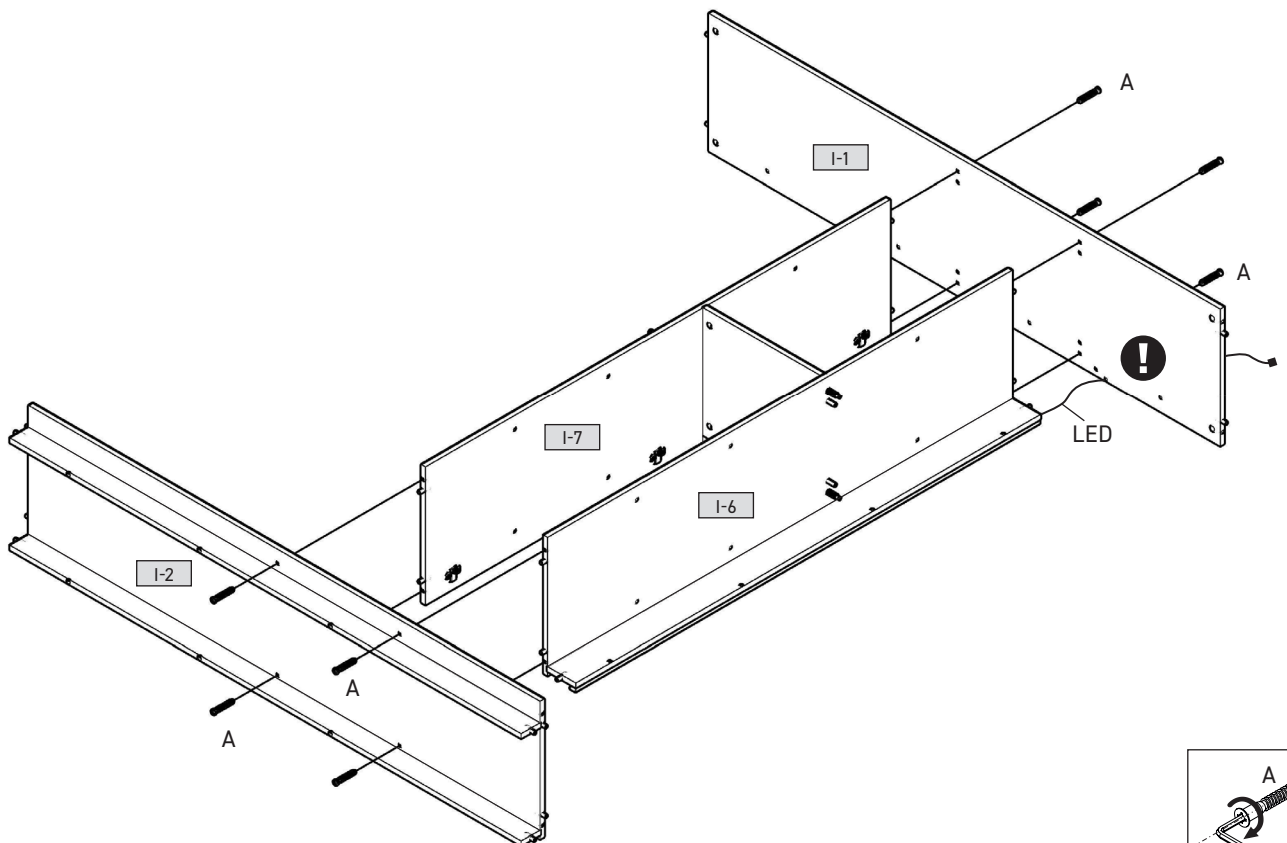
8



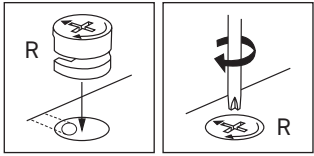
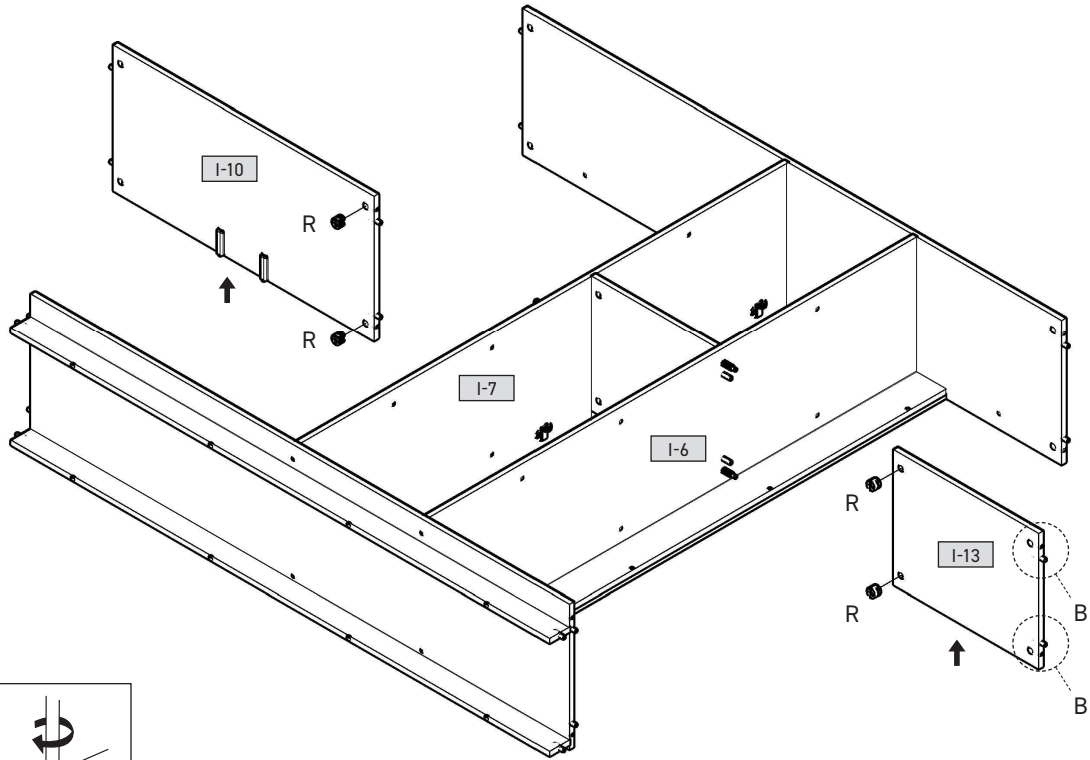
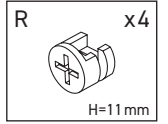
9



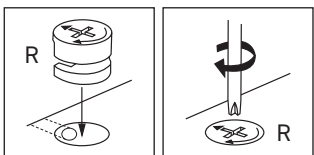
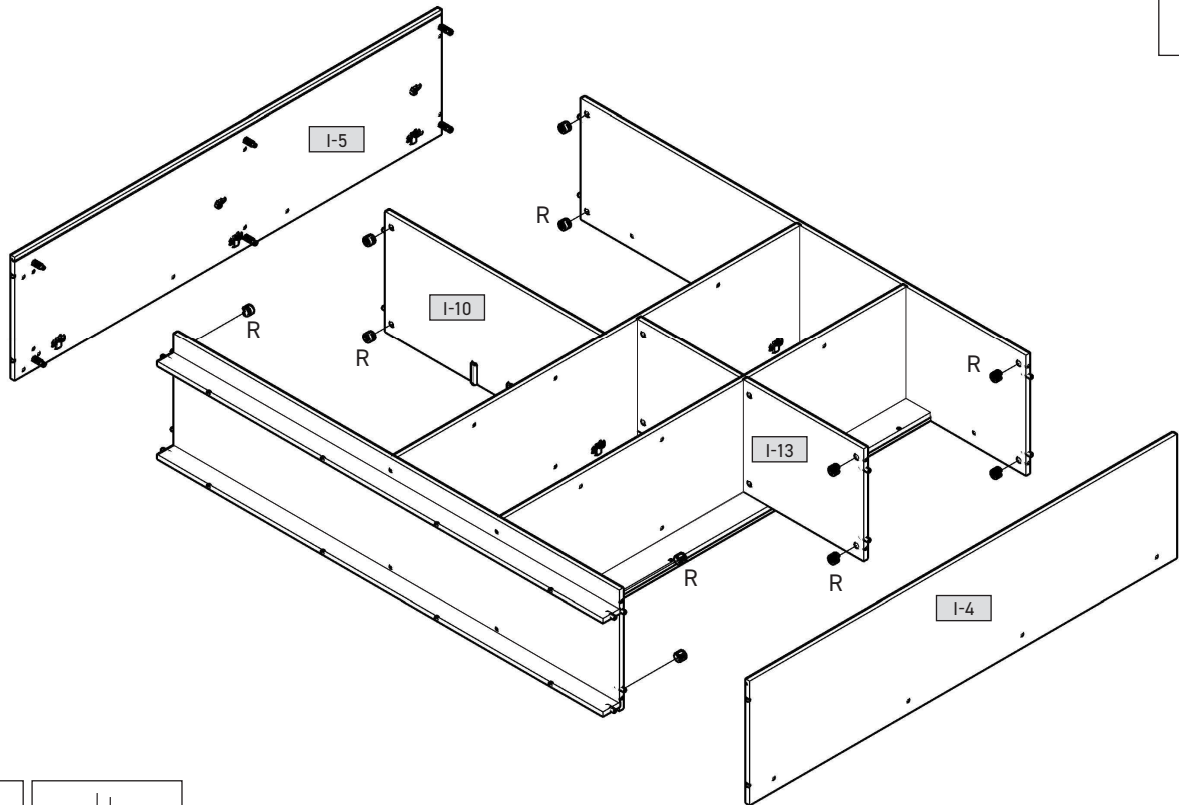
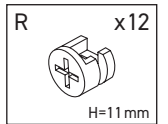
10



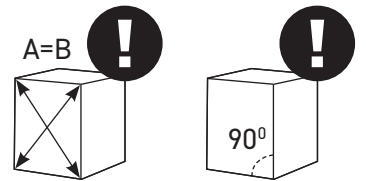
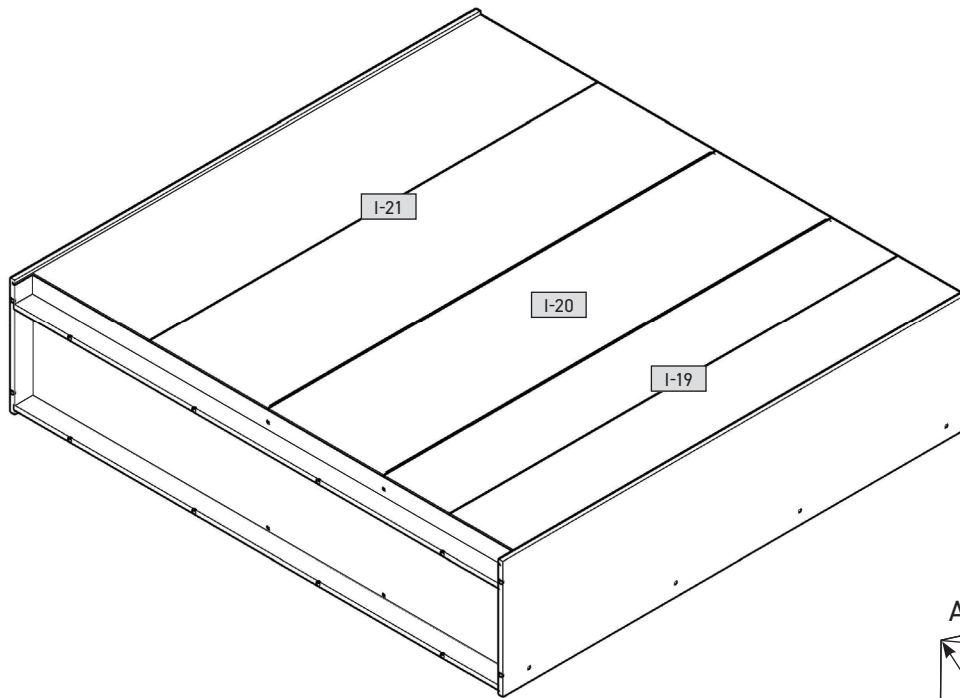
11



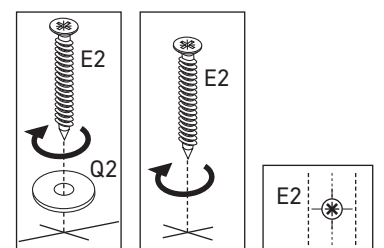
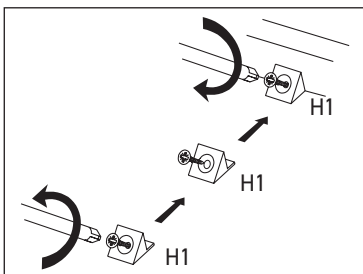
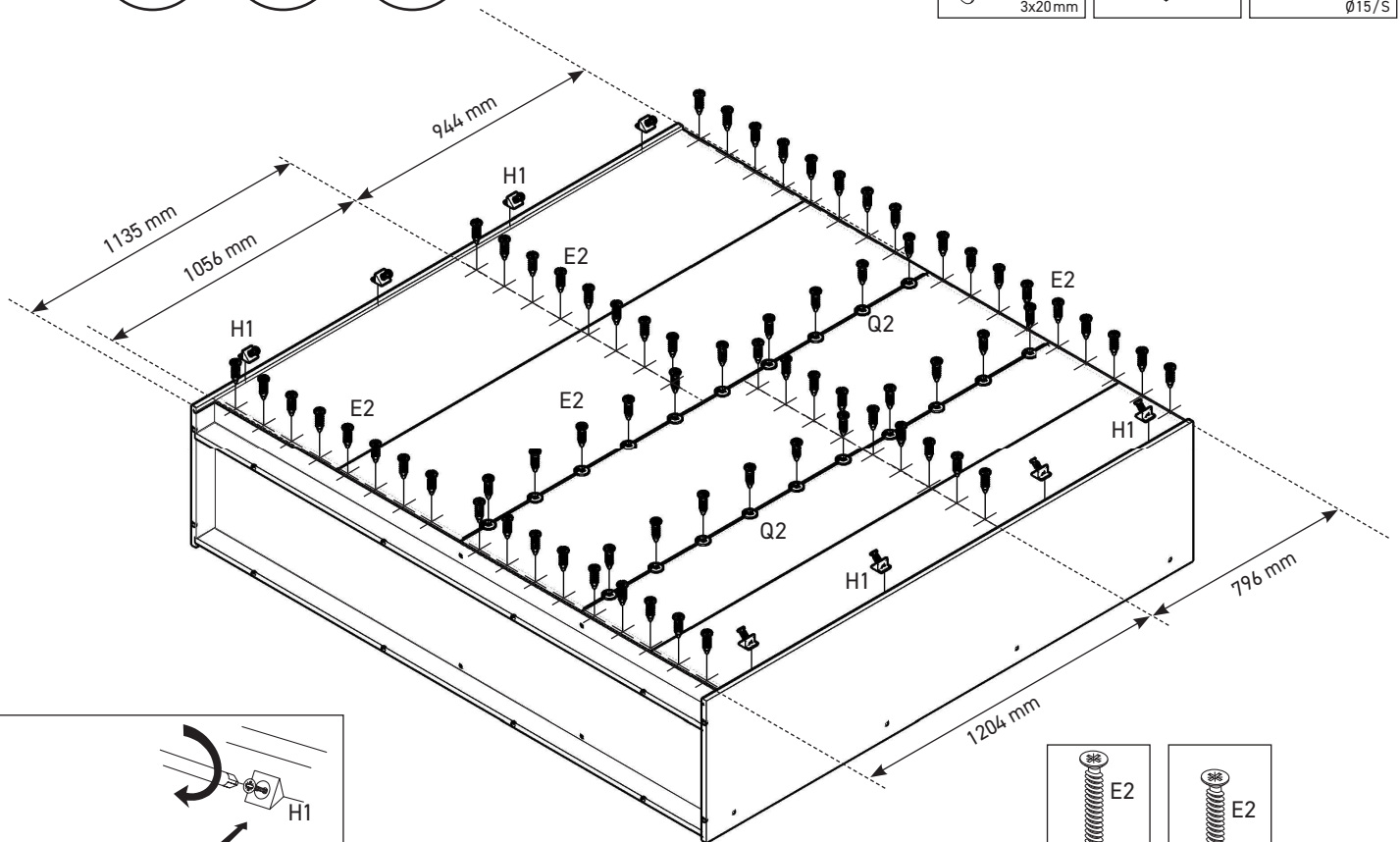
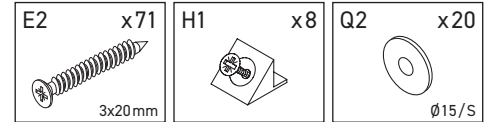
12



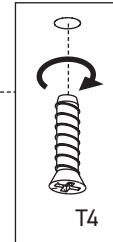
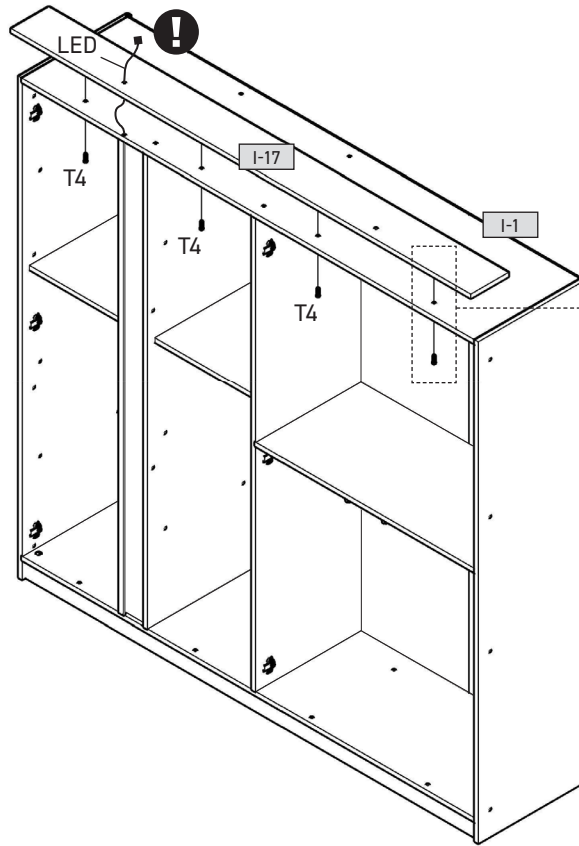
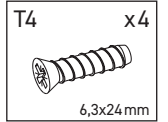
13



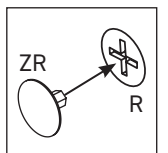
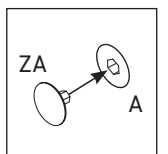
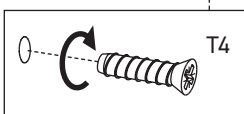
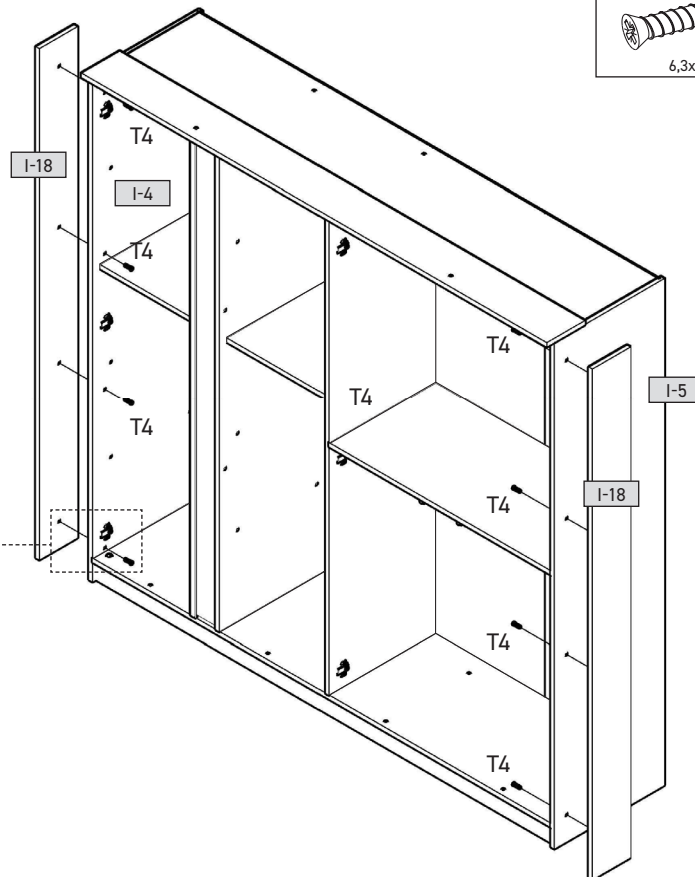
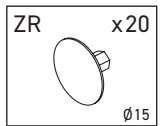
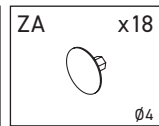
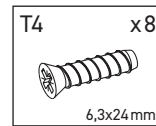
14



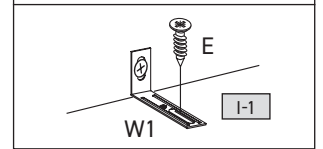
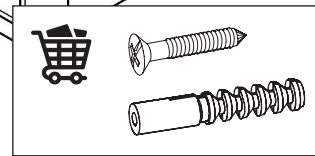
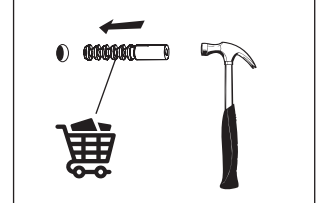
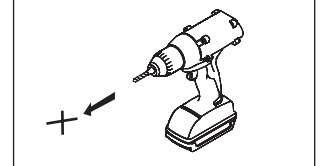
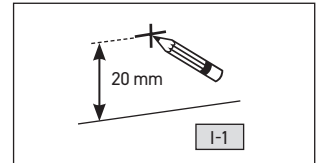
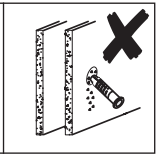
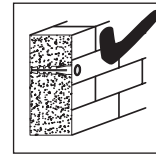
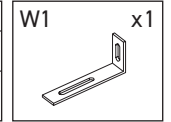
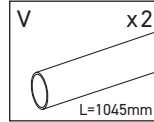
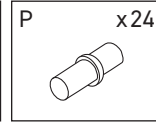
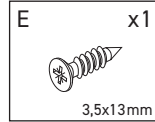
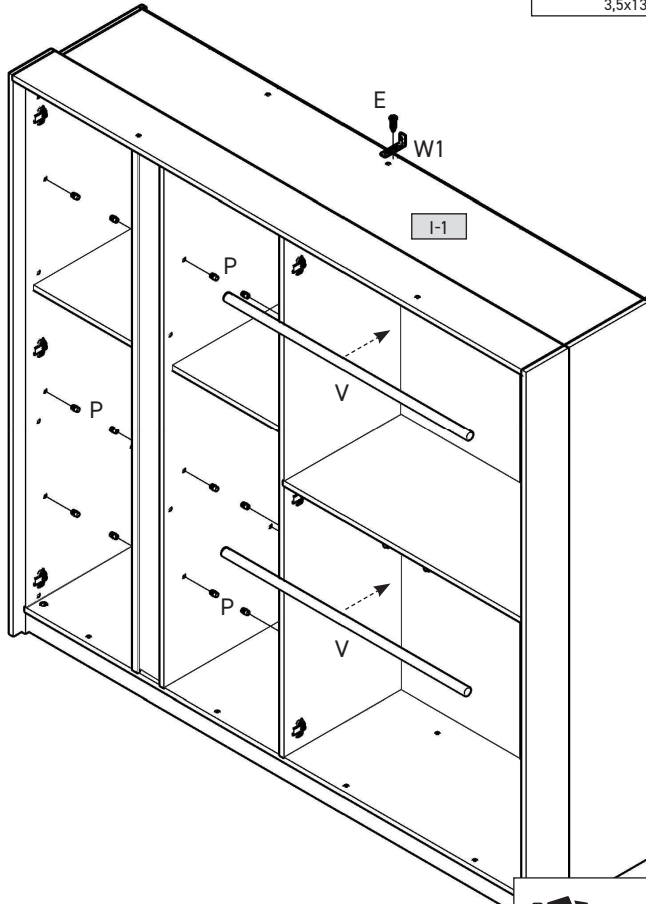
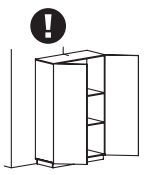
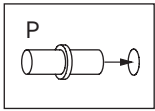
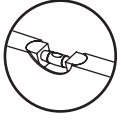
15



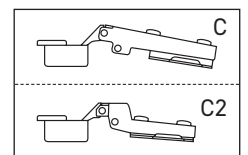
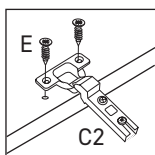
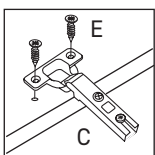
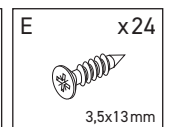
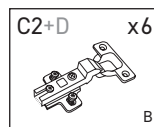
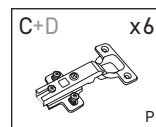
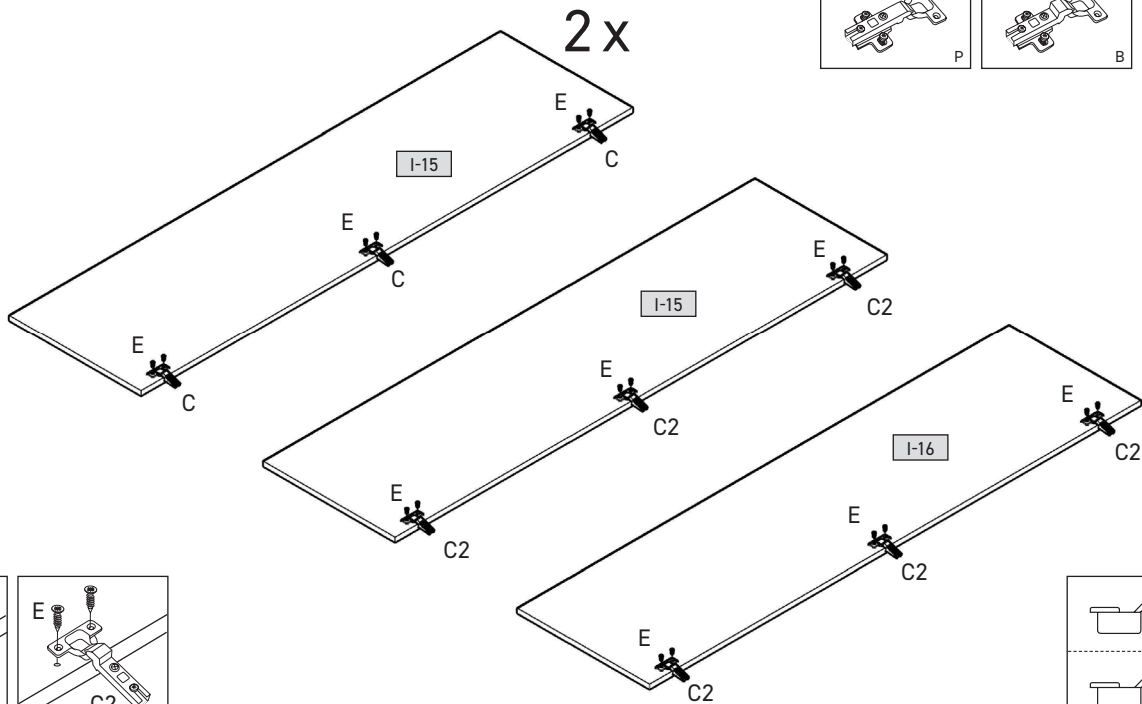
16



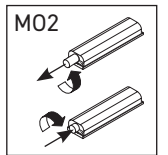
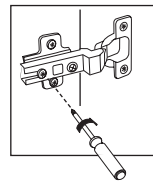
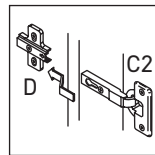
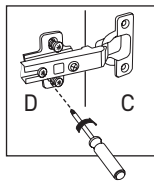
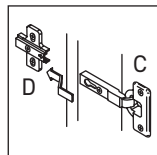
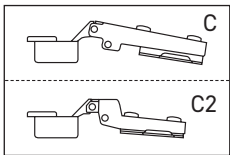
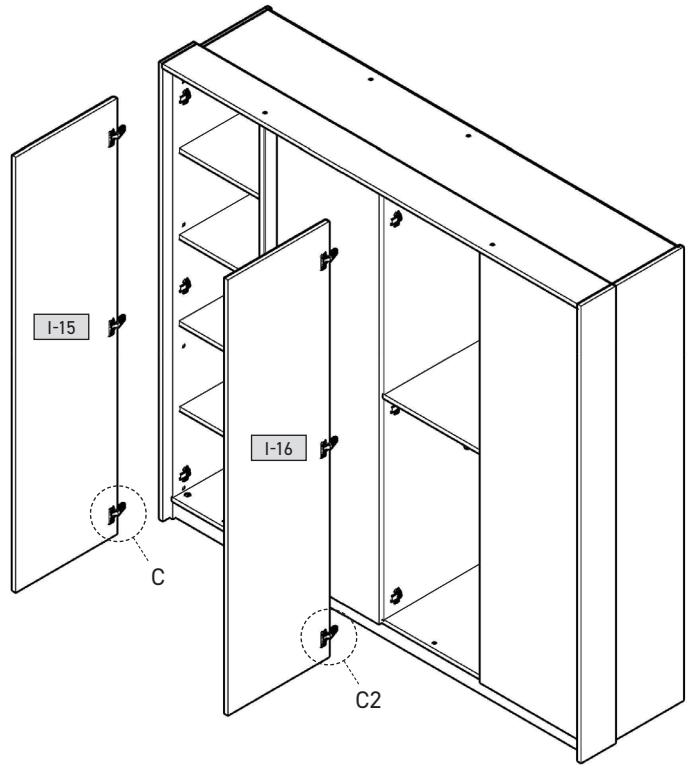
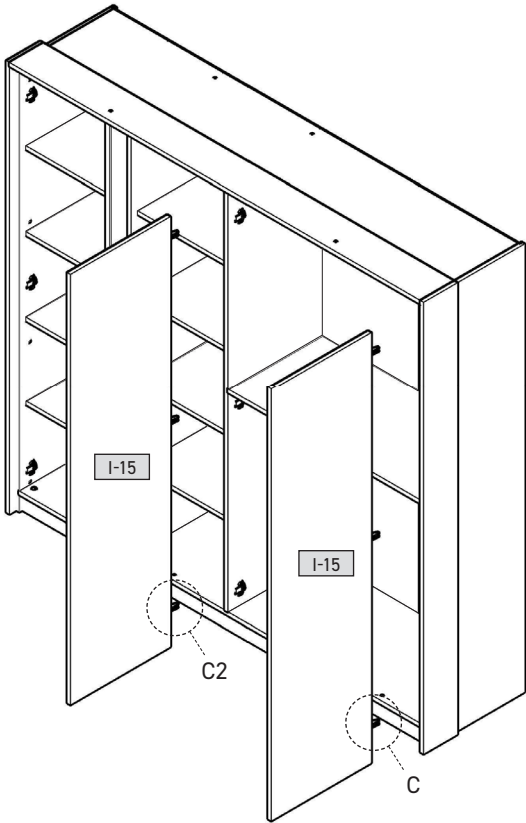
17



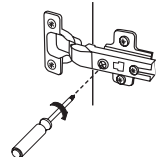
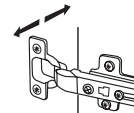
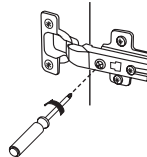
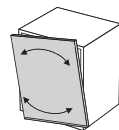
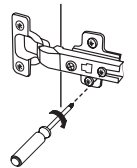
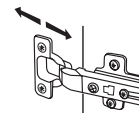
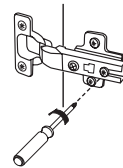
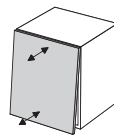
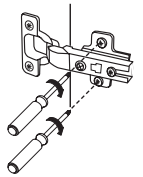
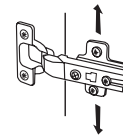
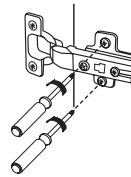
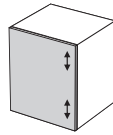
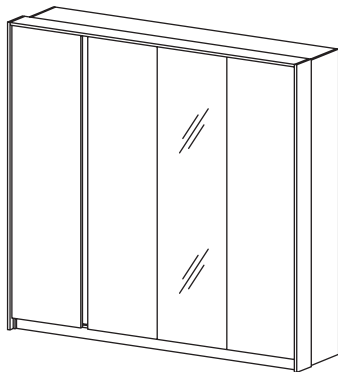
18

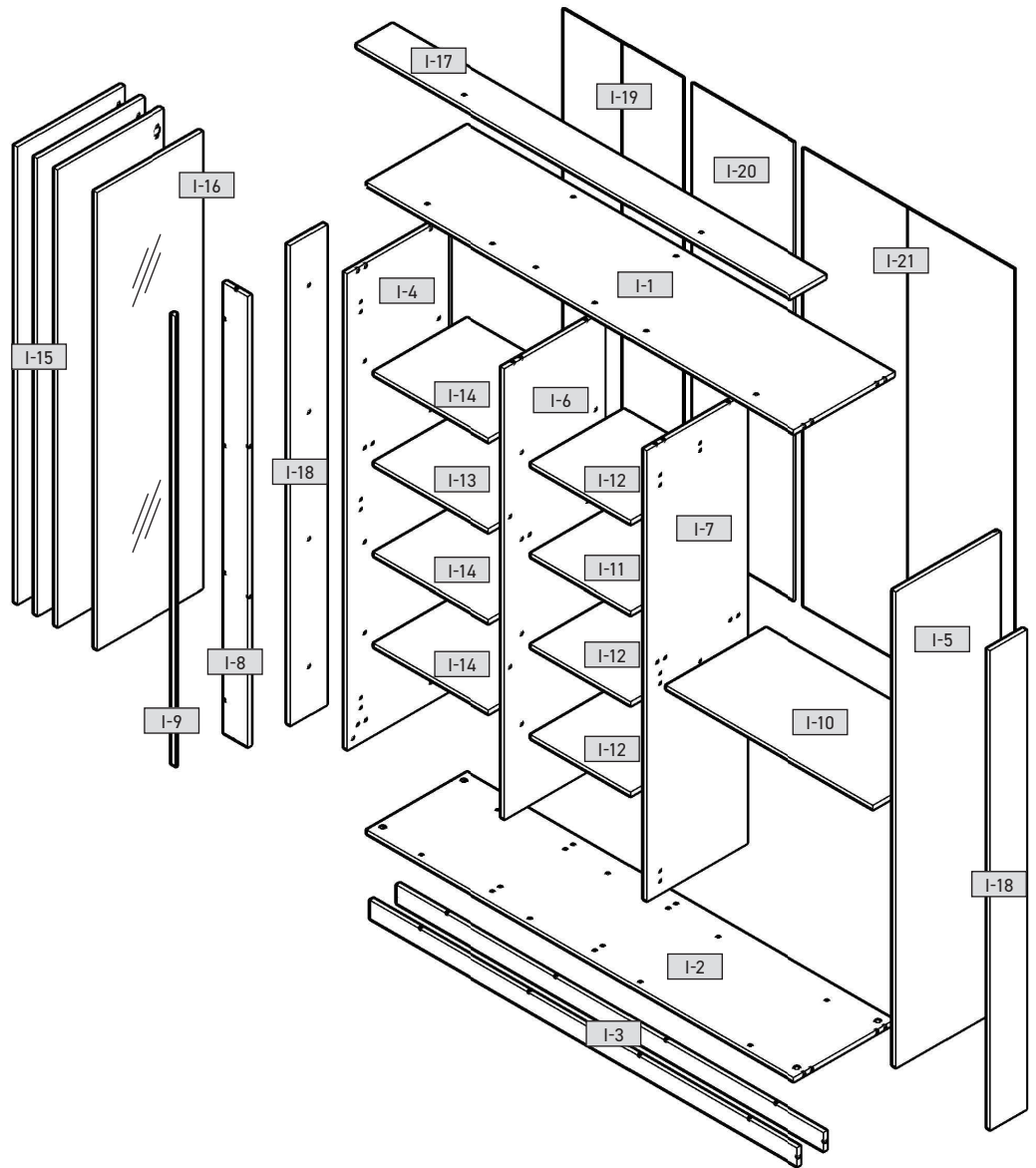
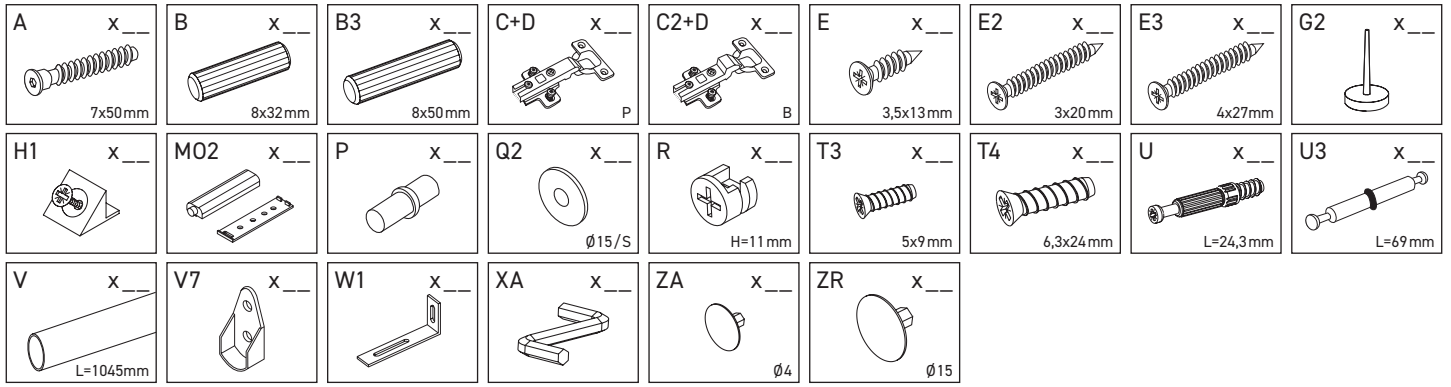


19



20





I-1	2168	505	16	x 1	3/4
I-2	2168	505	16	x 1	3/4
I-3	2168	80	16	x 2	3/4
I-4	2080	520	16	x 1	1/4
I-5	2080	520	16	x 1	1/4
I-6	1968	505	16	x 1	2/4
I-7	1968	505	16	x 1	2/4
I-8	1968	120	16	x 1	3/4
I-9	1962	24	16	x 1	3/4
I-10	1050	505	16	x 1	1/4
I-11	502	470	16	x 1	1/4
I-12	502	470	16	x 3	2/4
I-13	584	470	16	x 1	1/4
I-14	584	470	16	x 3	2/4
I-15	534	1997	16	x 3	4/4
I-16	534	1997	16	x 1	4/4
I-17	2200	180	16	x 1	3/4
I-18	2096	180	16	x 2	1/4
I-19	1999	600	3	x 1	3/4
I-20	1999	517	3	x 1	3/4
I-21	1999	1064	3	x 1	1/4

