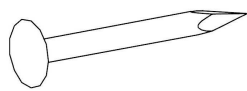
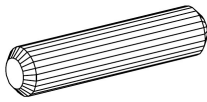
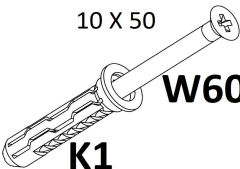
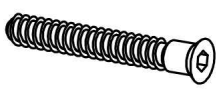

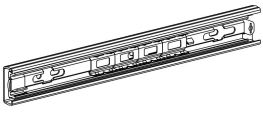

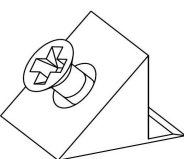
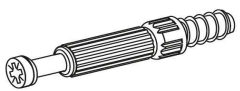
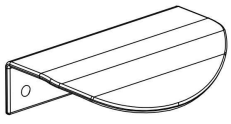

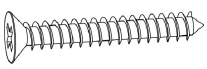
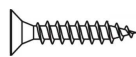
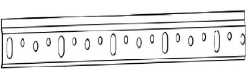
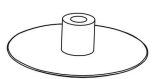
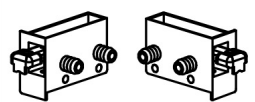
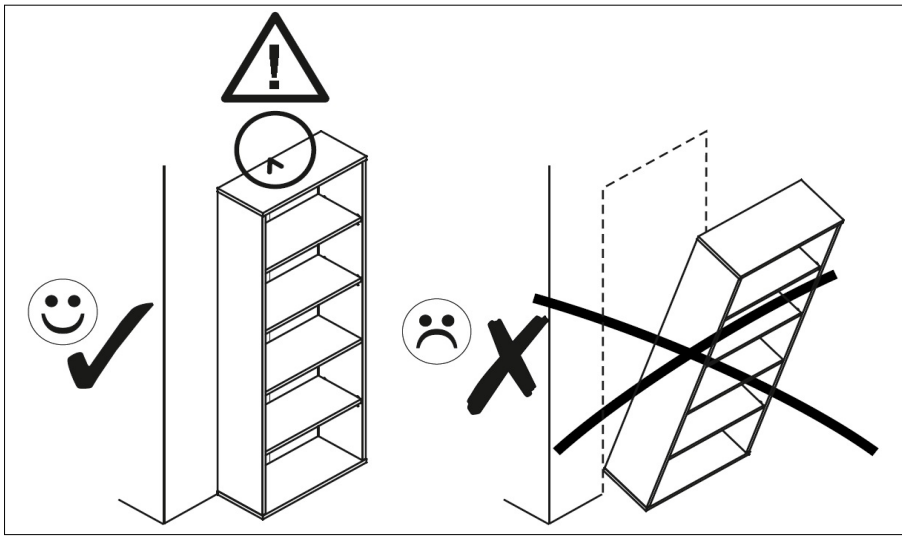
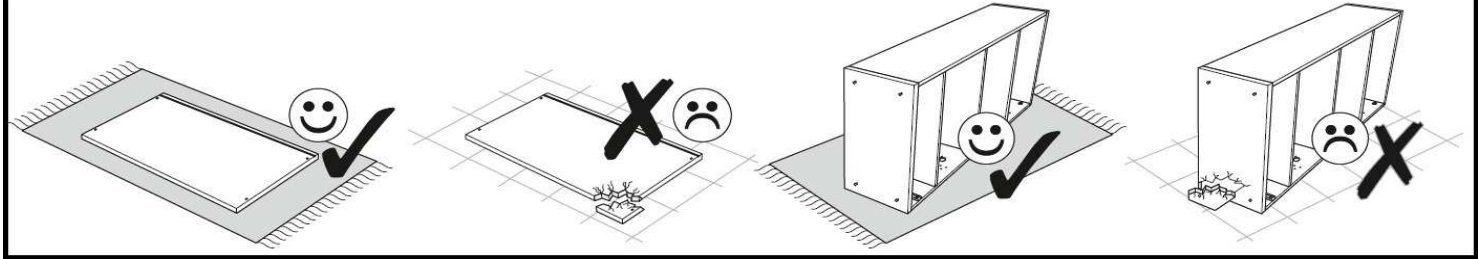
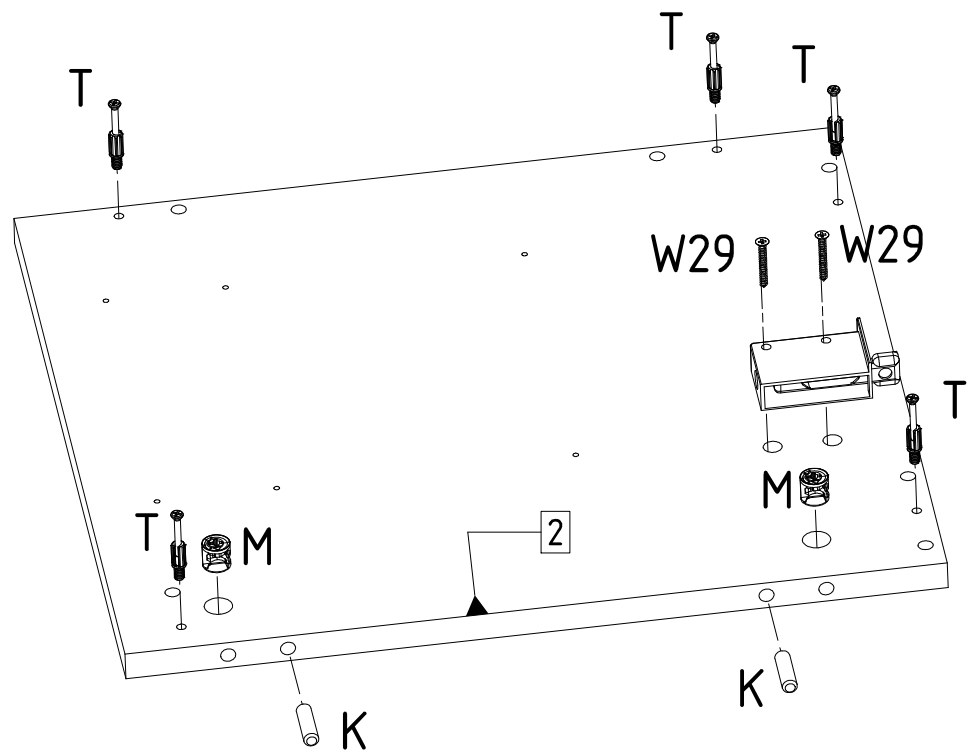
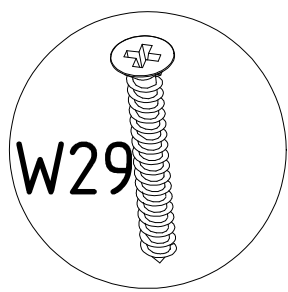
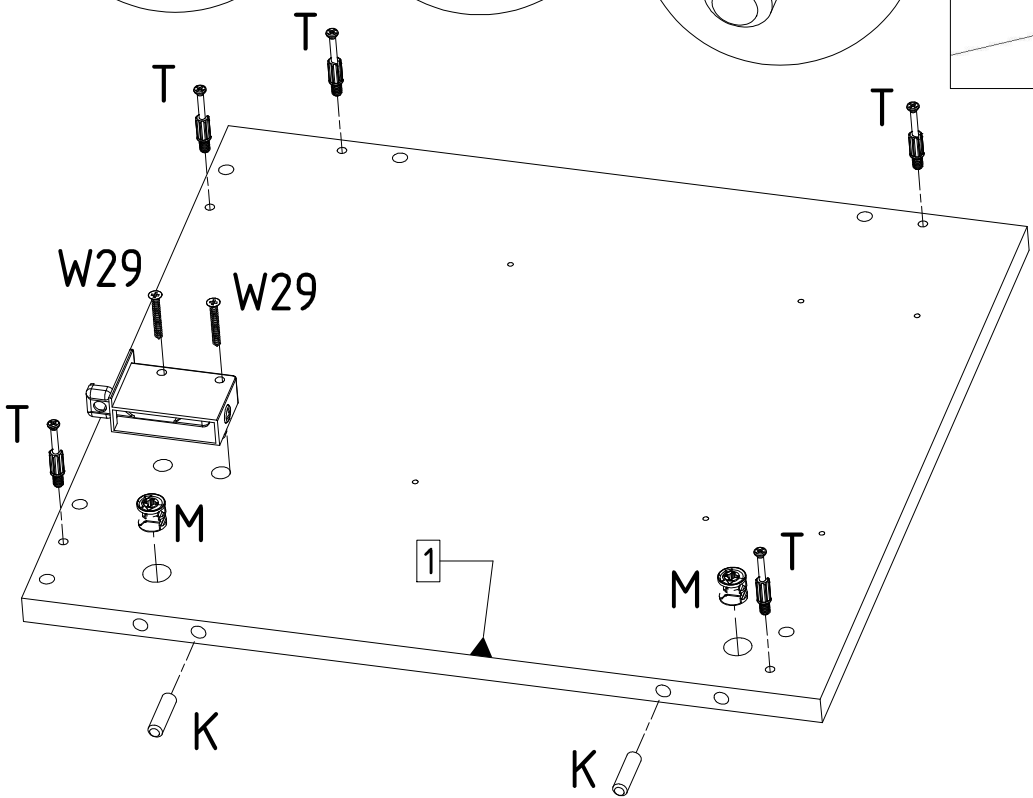
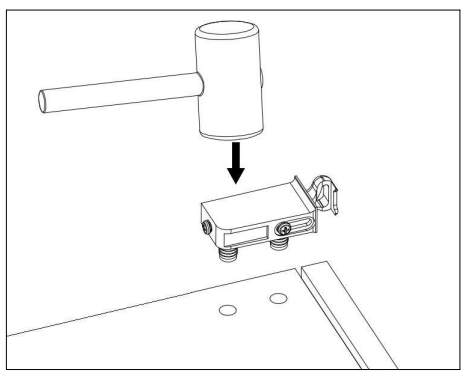
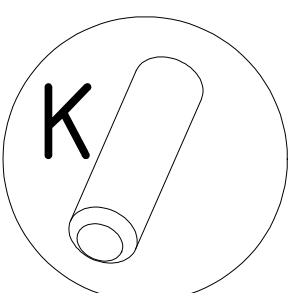
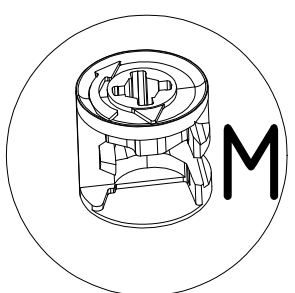
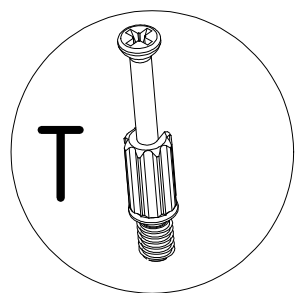
 A1	 G	8 x 30  K	10 X 50  K1	 KN
15 x 12  M	L350  PKR	L350  PWK	 ST	6 x 34 mm  T
 UF64	4 x 16  W16	4 x 30 mm  W29	3 x 16mm  W3	L= 765 mm  WM
 Z	LEFT / RIGHT  ZM01			

BL [1]	440	404	1	A1	1
BP [2]	440	404	1	G	37
FTS1 [3]	797	196	1	K	22
FTS2 [4]	797	196	1	K1	5
KBL [5]	350	95	2	KN	16
KBL2 [6]	350	95	1	M	22
KBP [7]	350	95	2	PKR	4
KBP2 [8]	350	95	1	PWK	4
KD [9]	739	354	1	ST	4
KD2 [10]	357	294	2	T	22
KT [11]	711	95	1	UF64	2
KT2 [12]	264	95	2	W16	4
LC1 [13]	767	70	2	W29	4
LC2 [14]	767	100	1	W3	20
LS [15]	95	151	1	W60	5
WD [16]	440	767	1	WM	1
WG [17]	800	459	1	Z	22
				ZM01	2

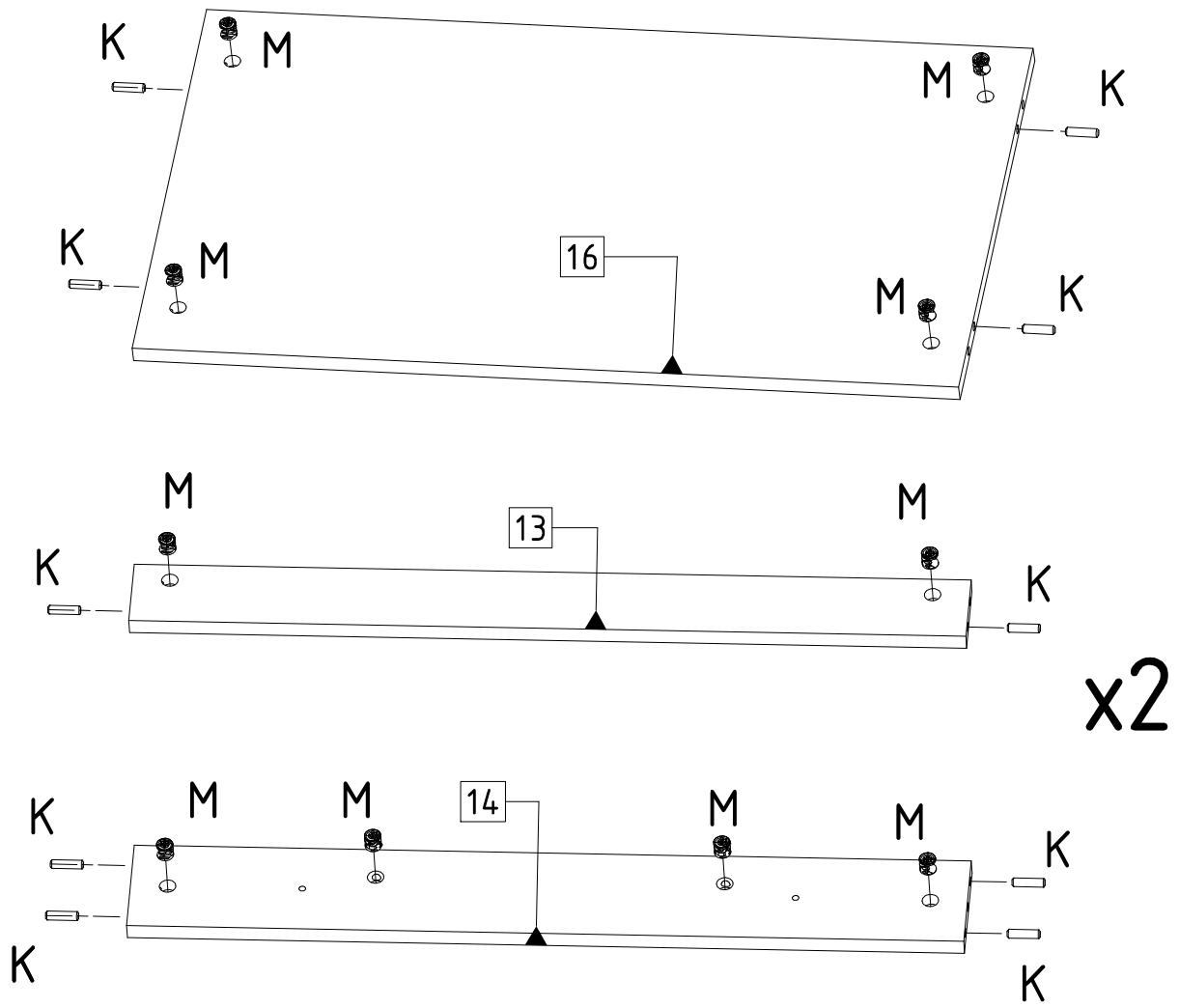




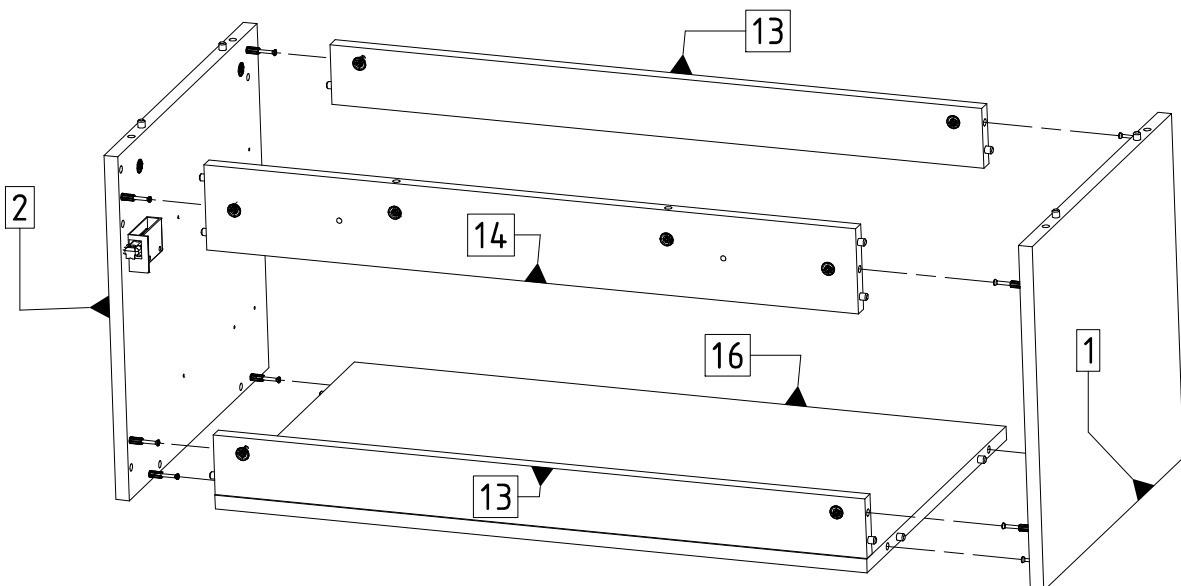
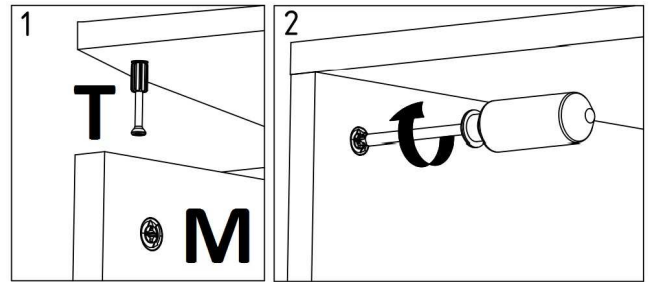
1.



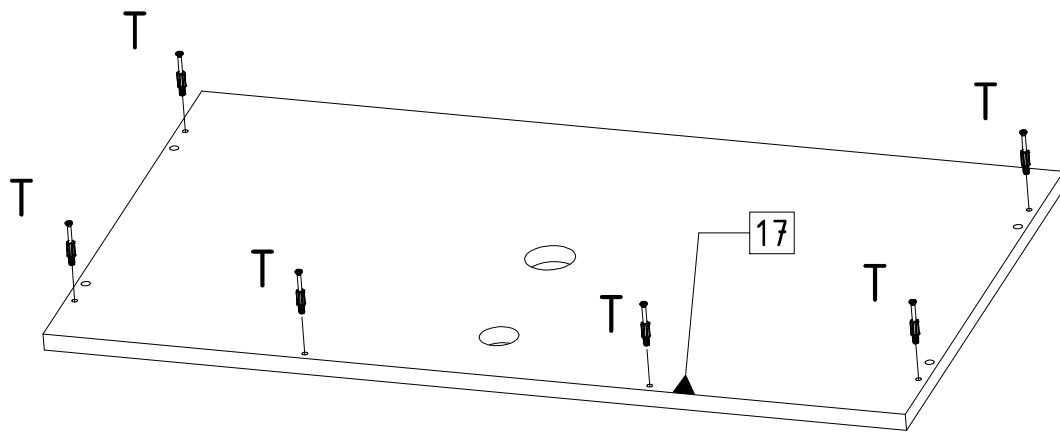
2.



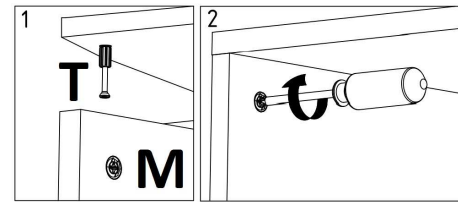
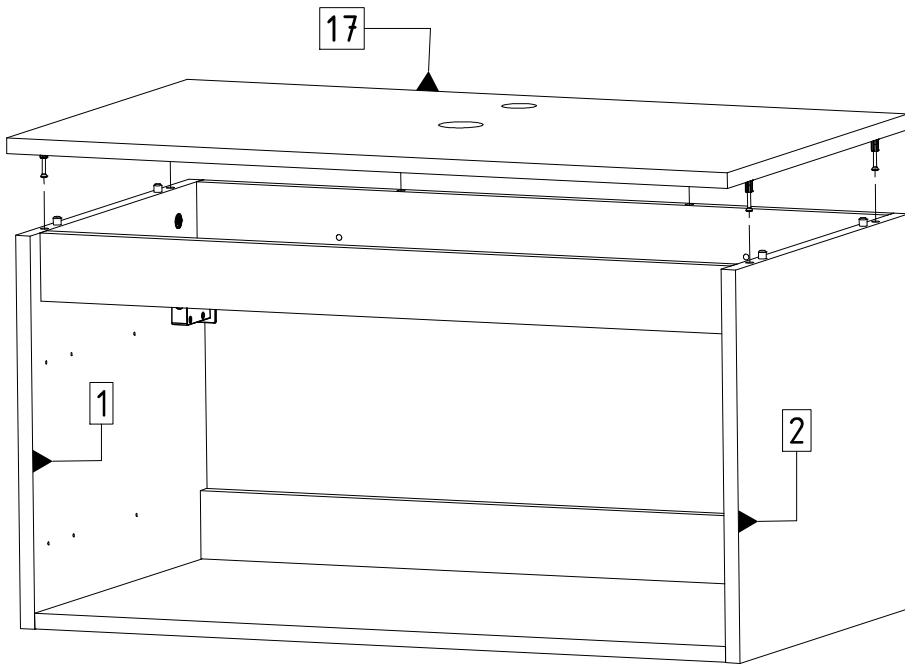
3.



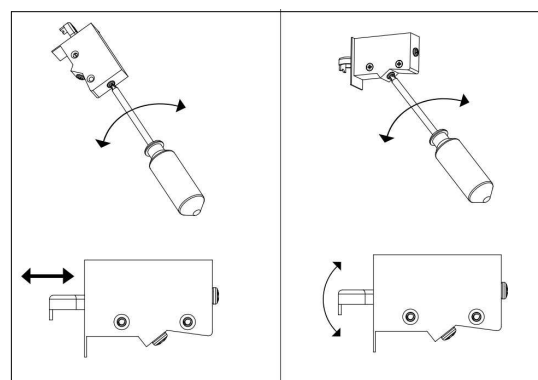
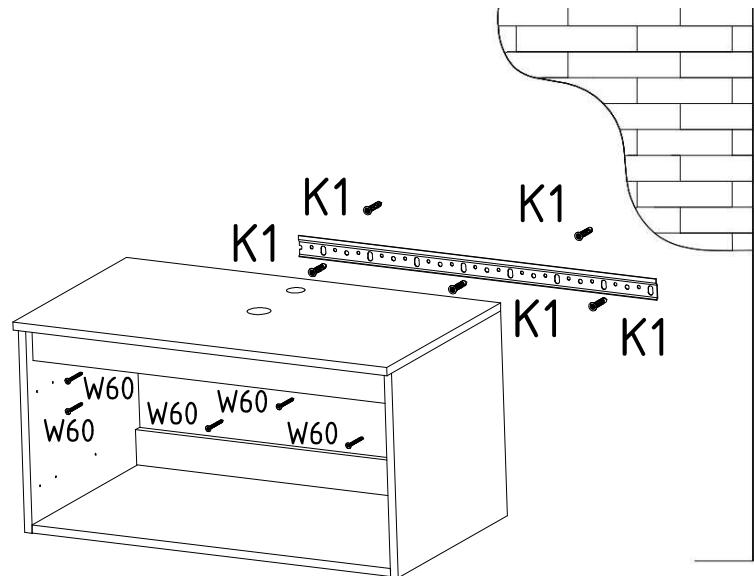
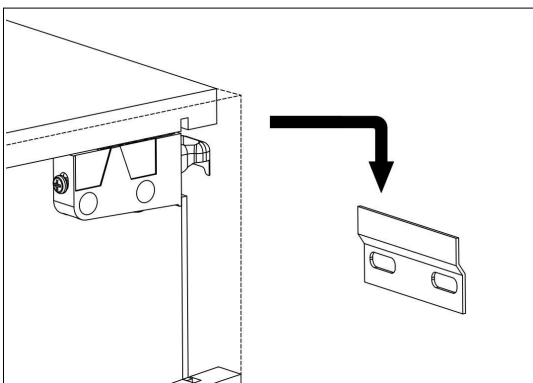
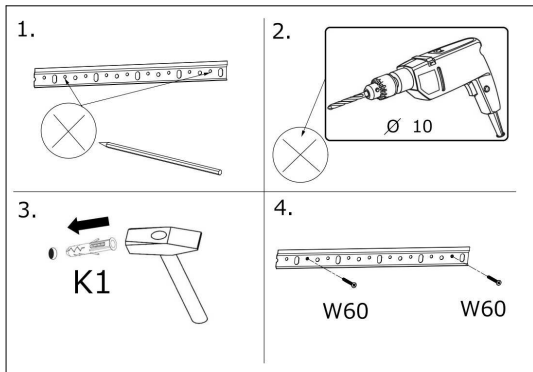
4.



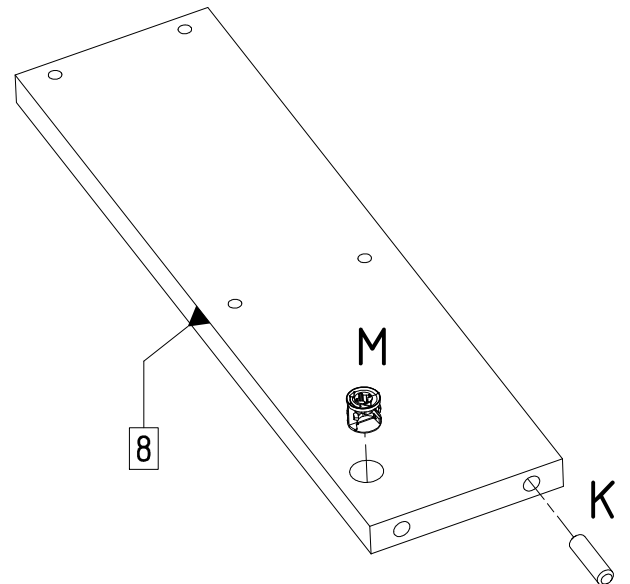
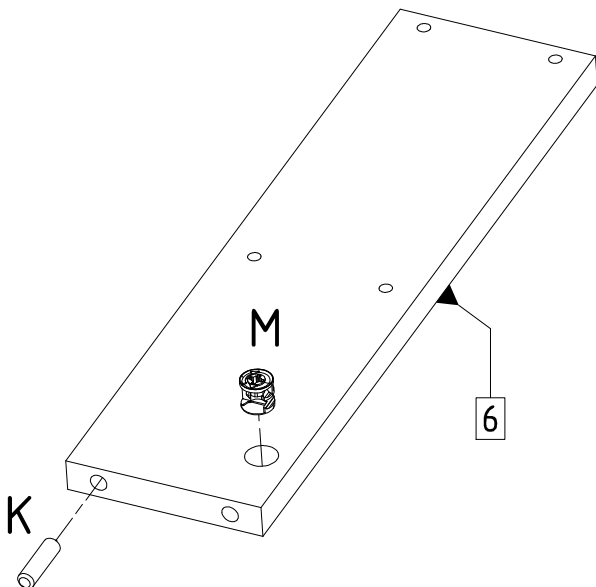
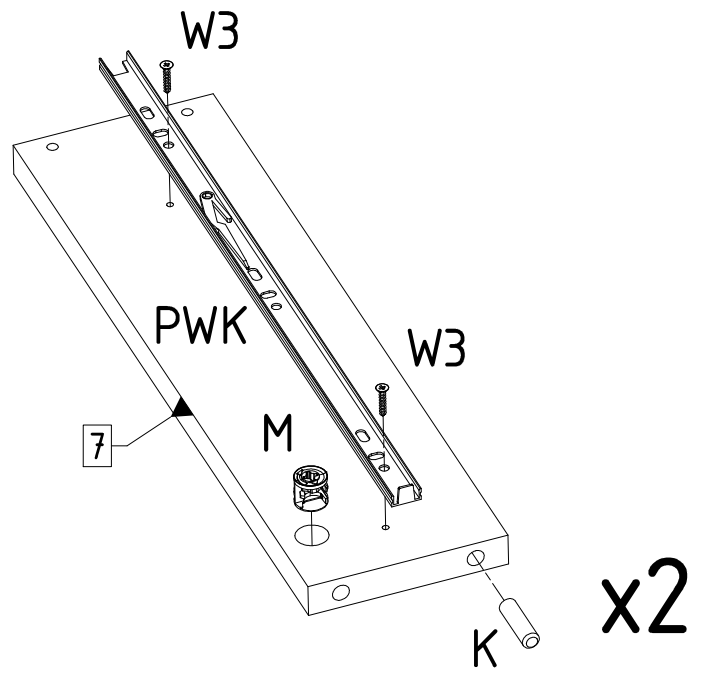
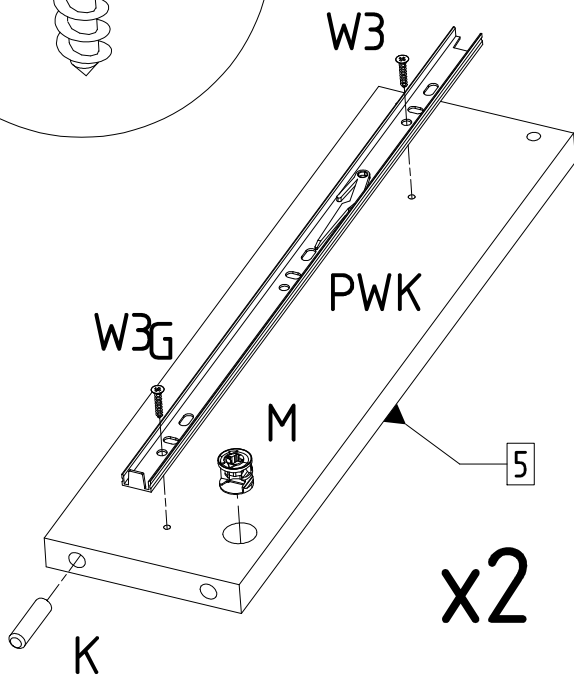
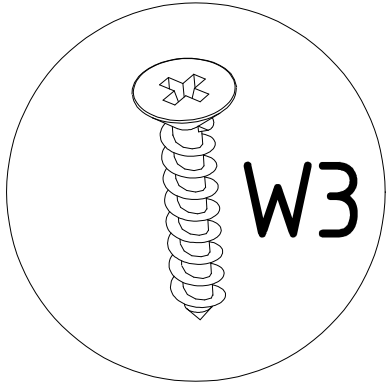
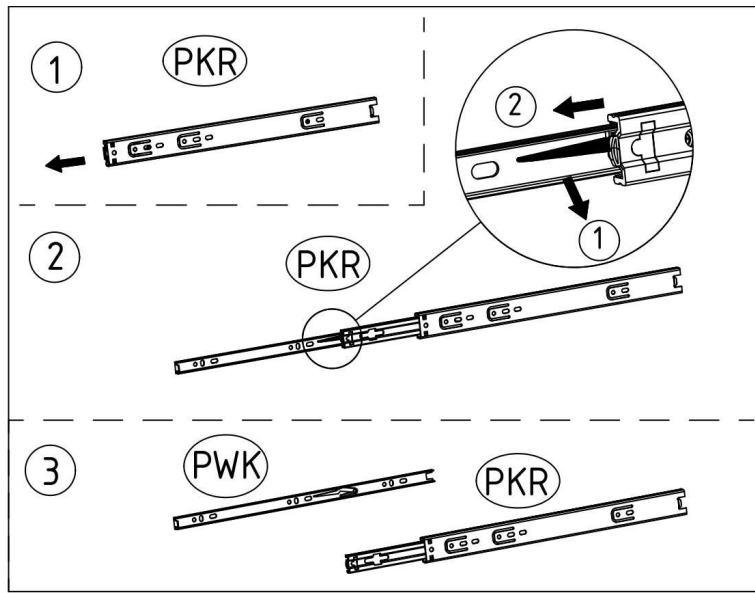
5.



6.

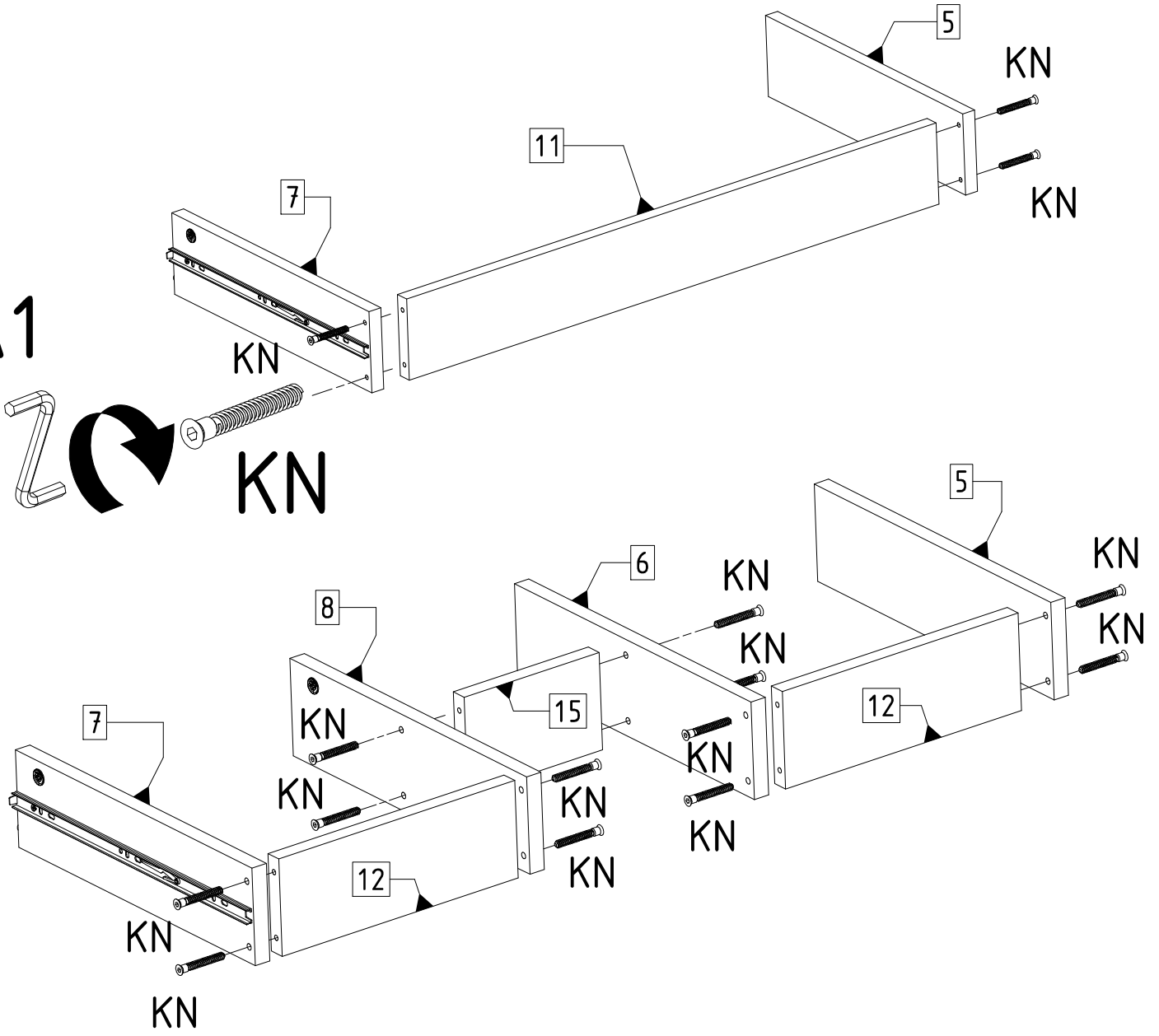


7.

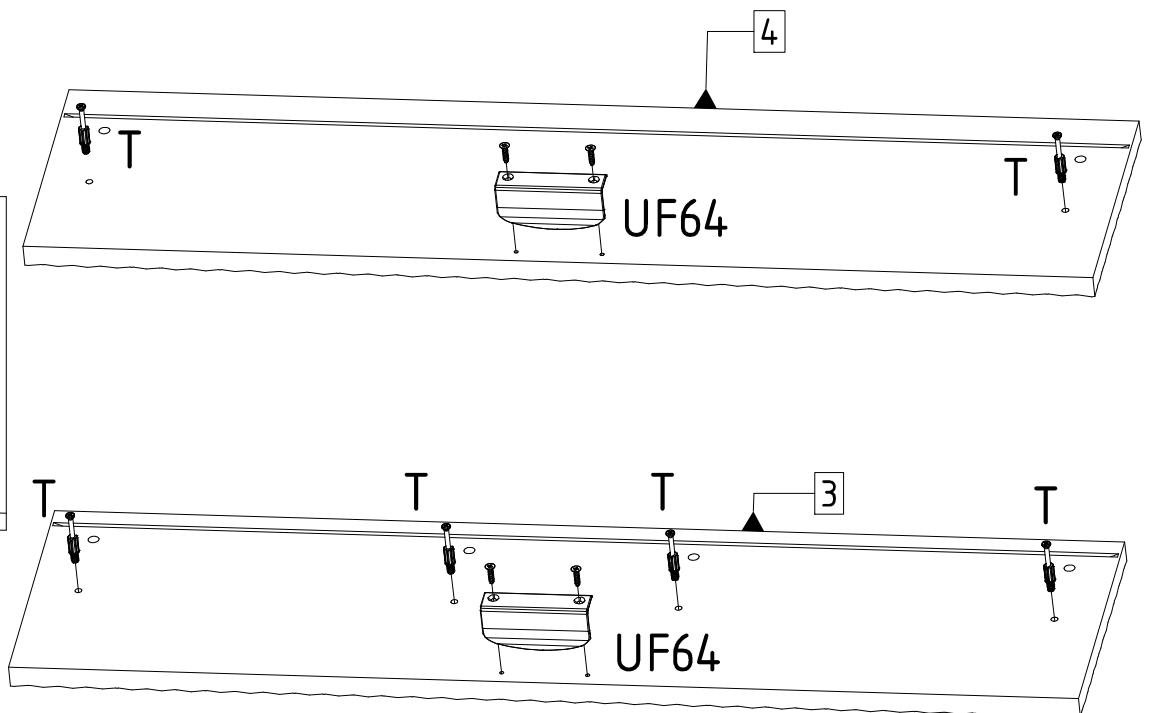
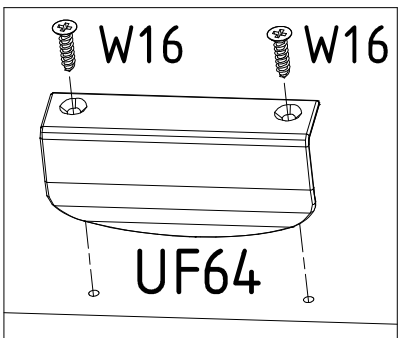


8.

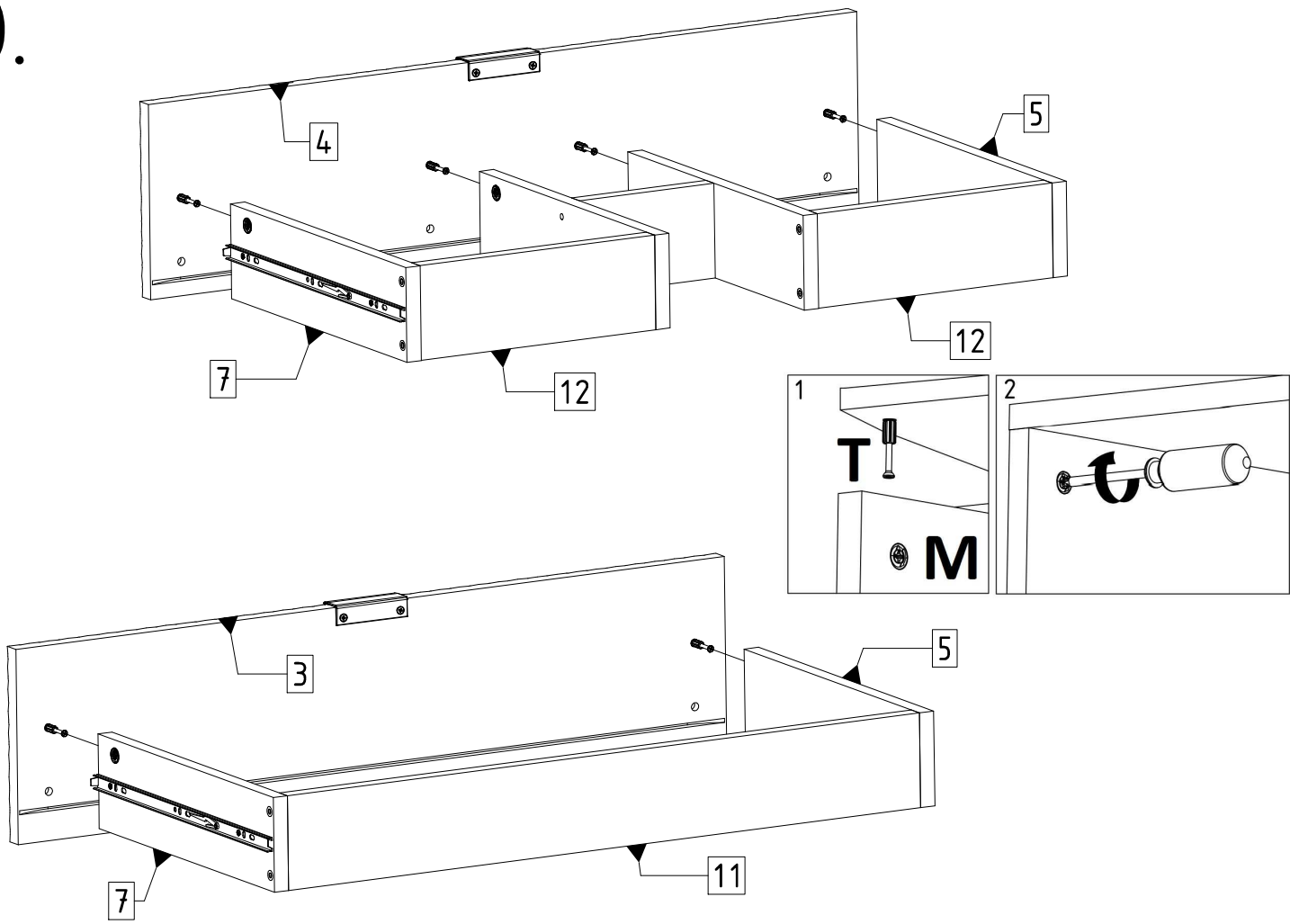
A1



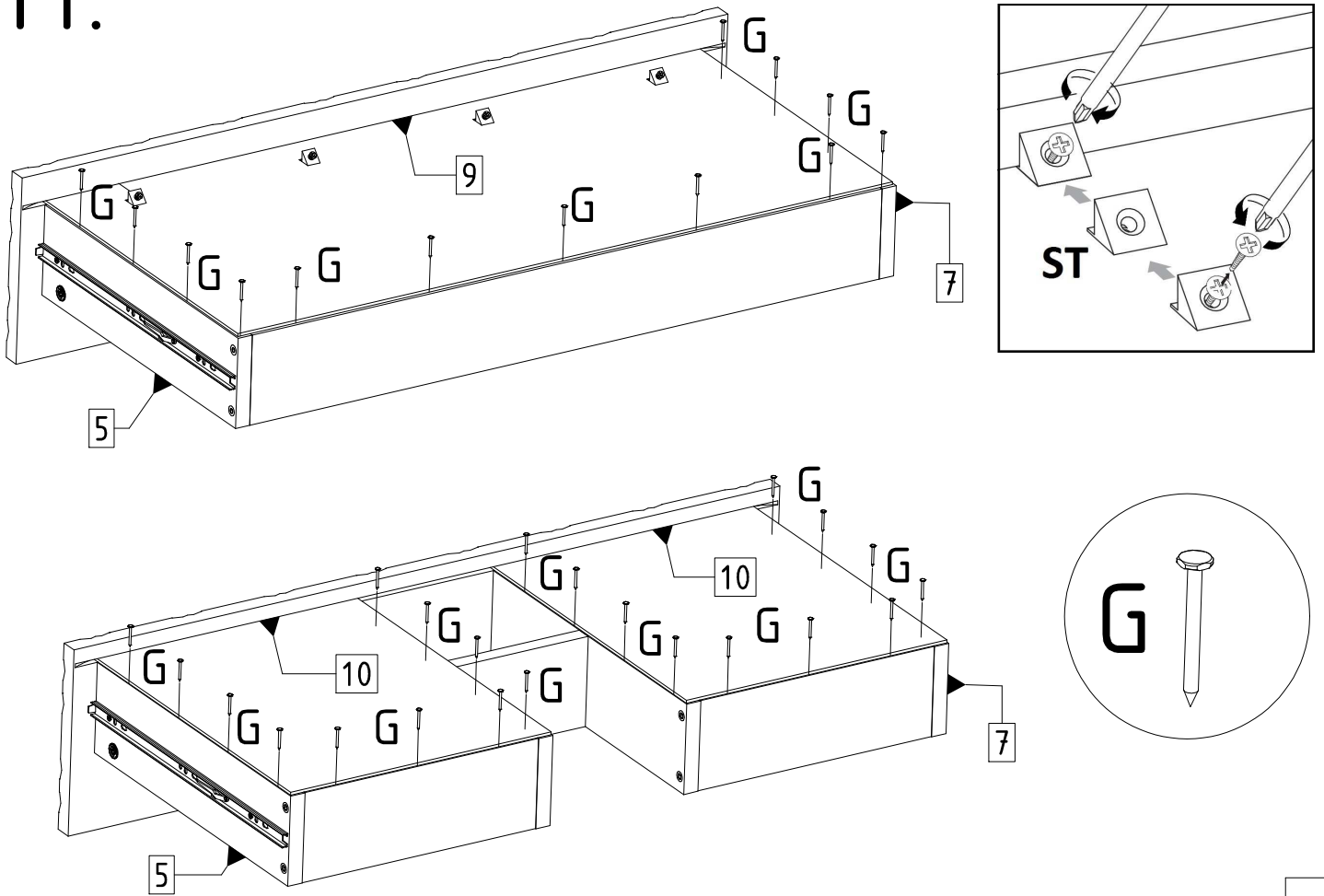
9.



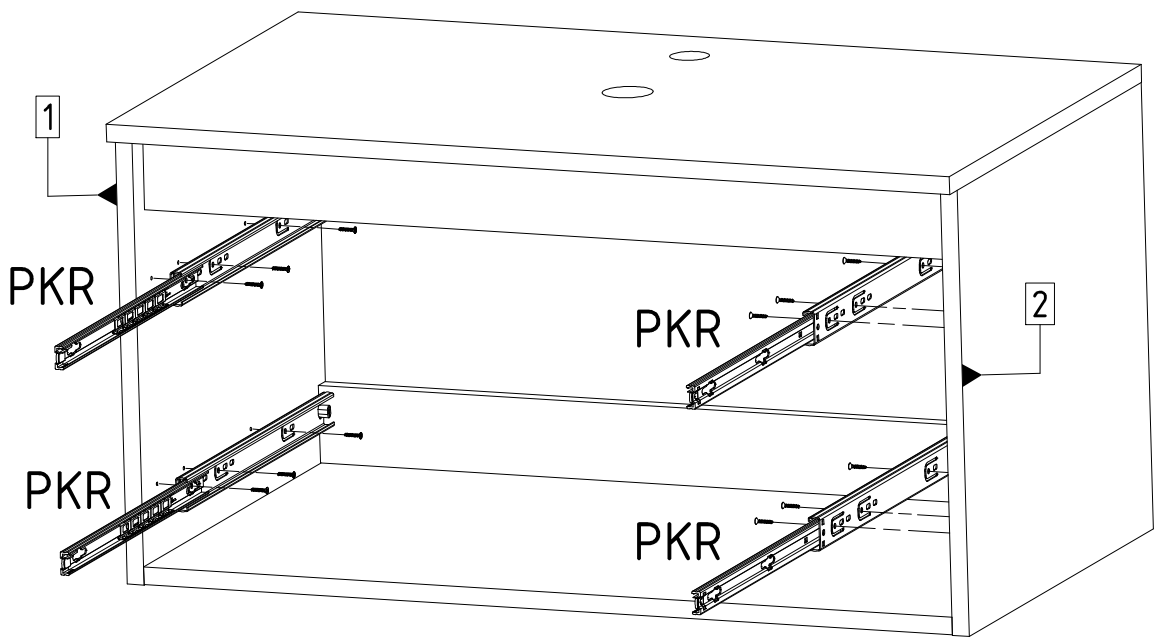
10.



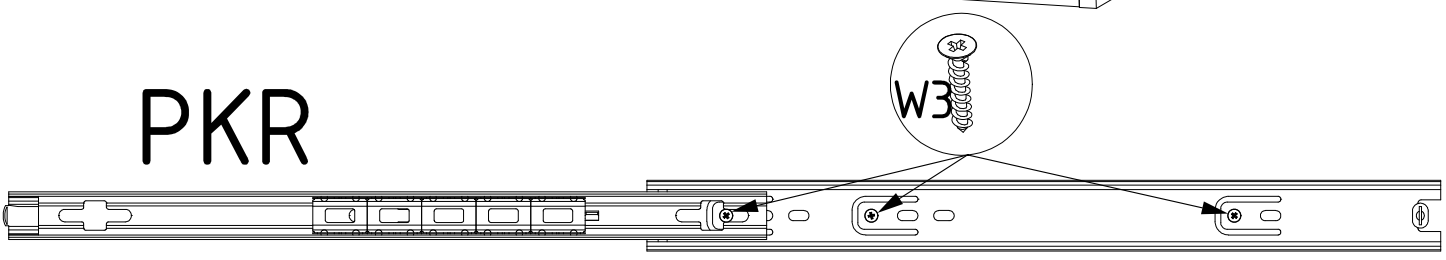
11.



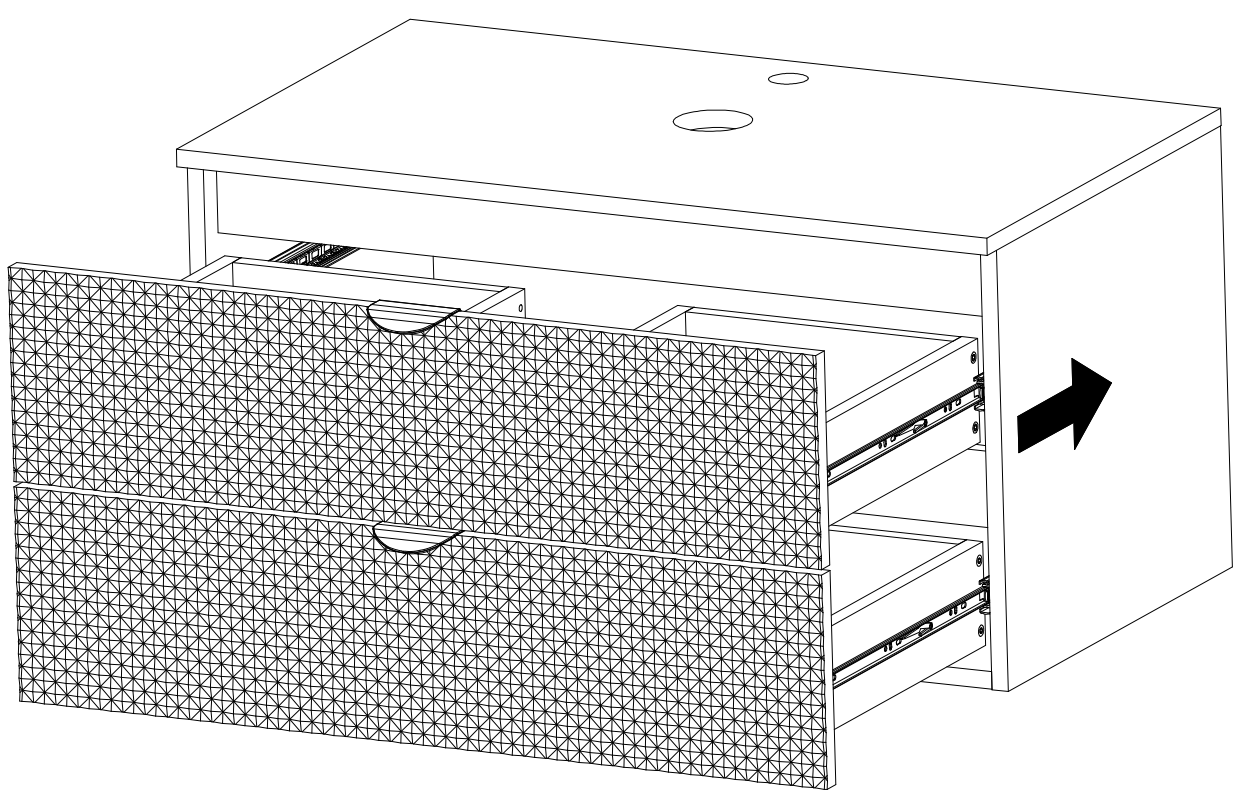
12.

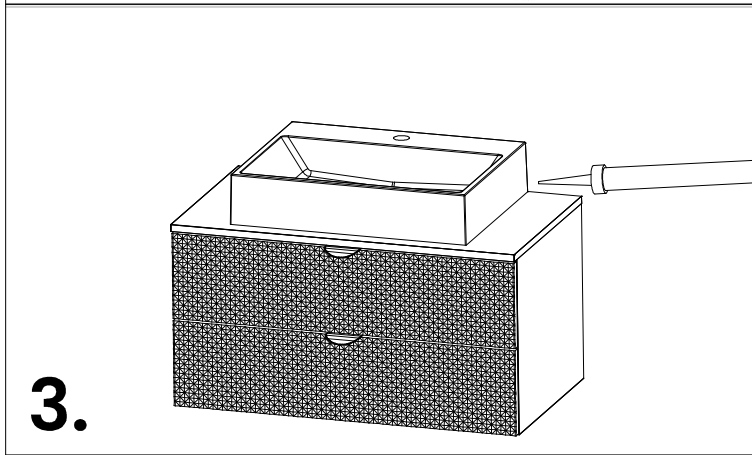
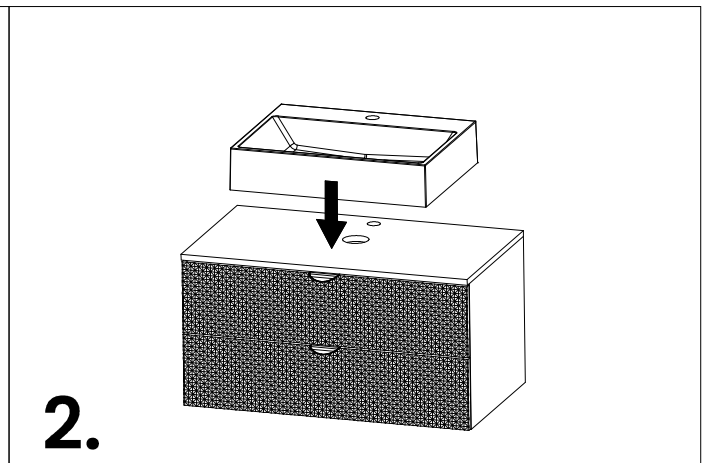
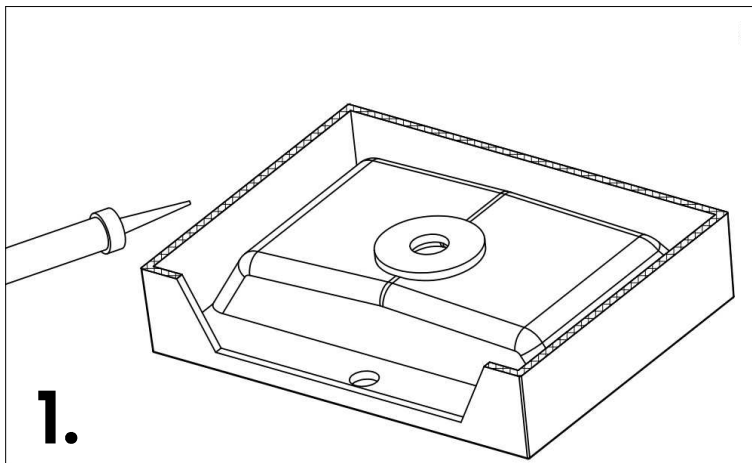


PKR

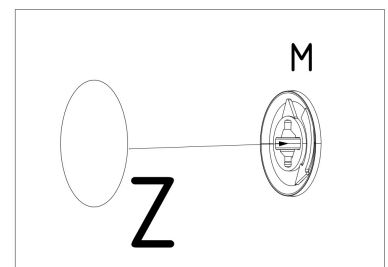
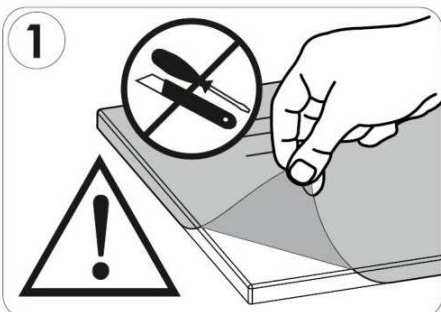
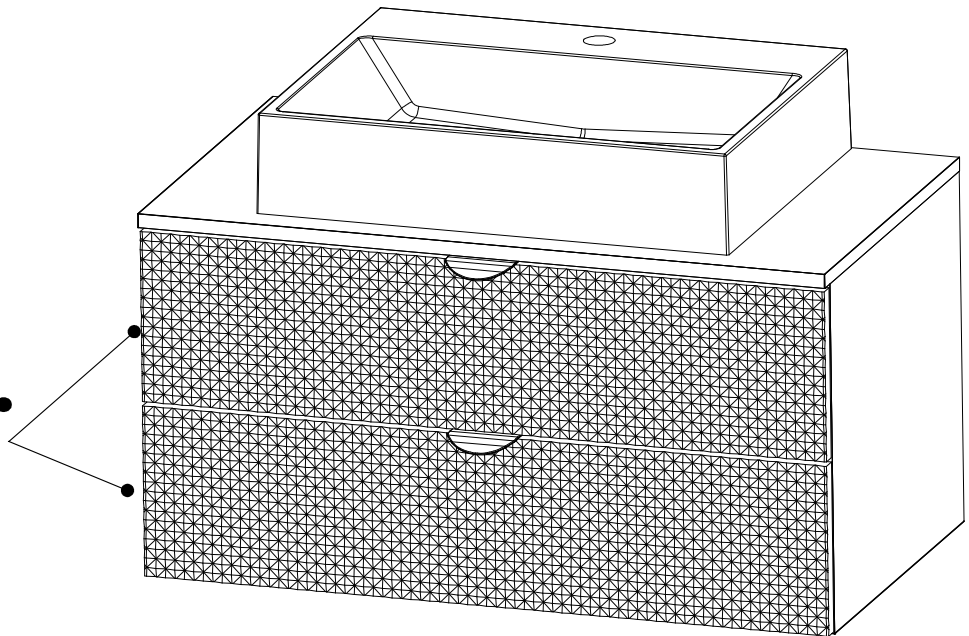


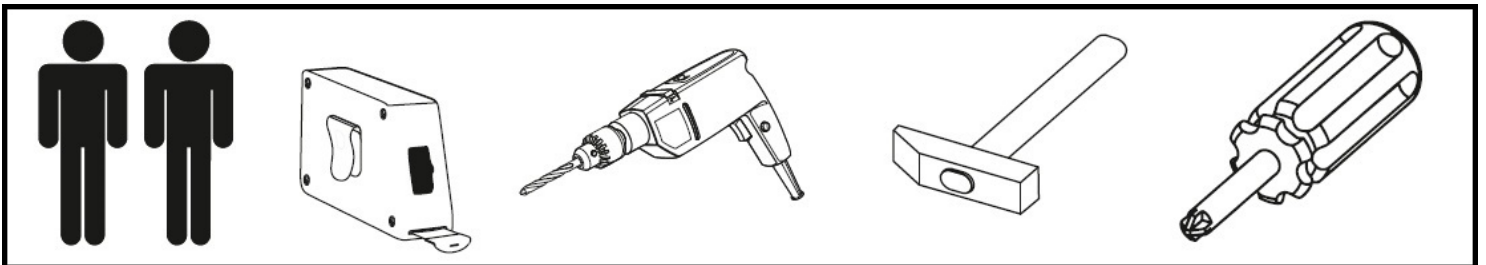
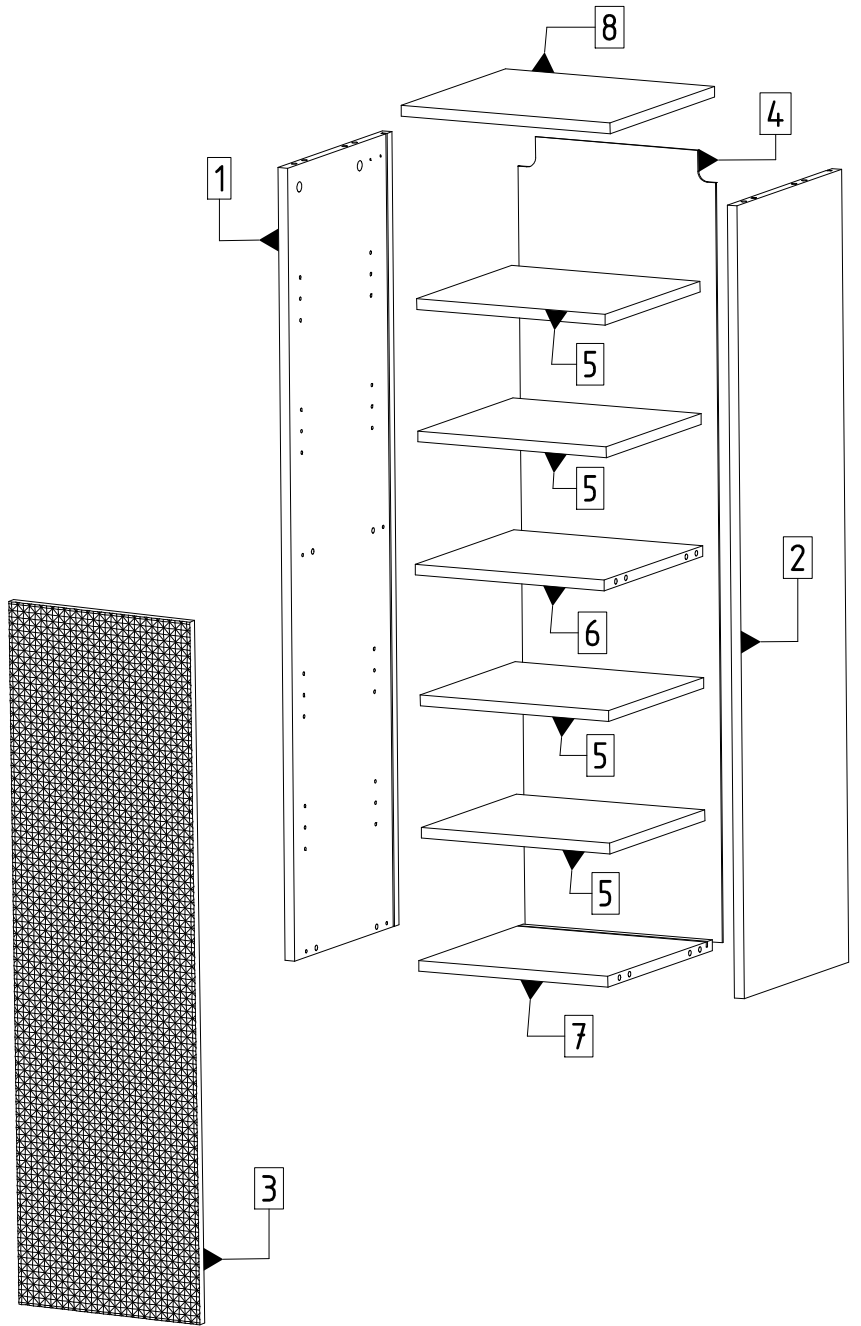
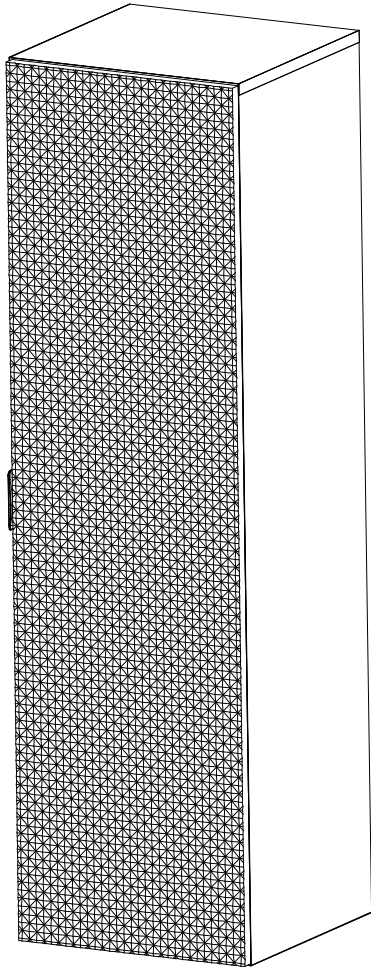
13.

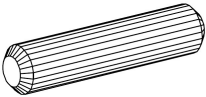

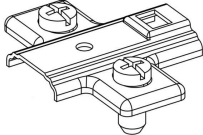
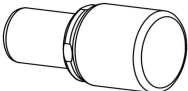
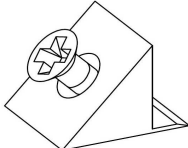
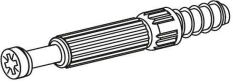
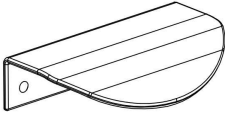
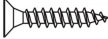
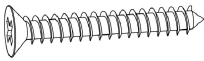

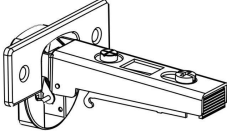
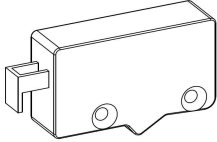




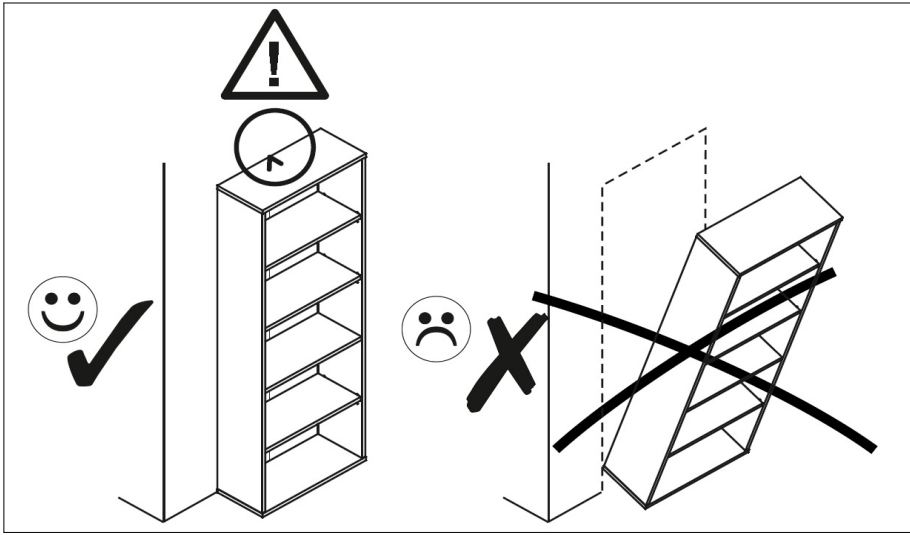
**max.
6 kg**

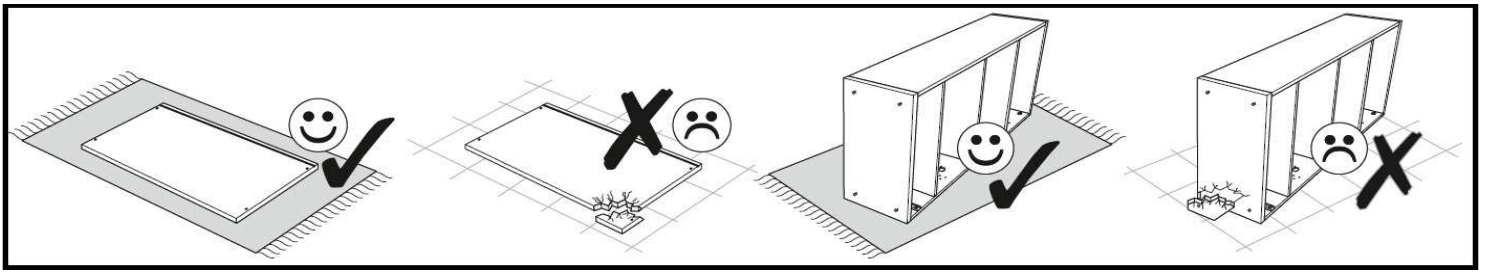




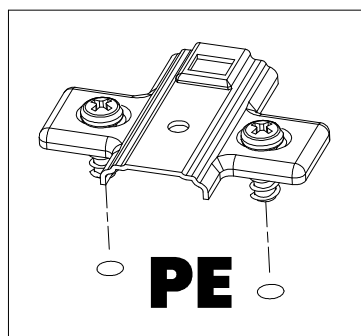
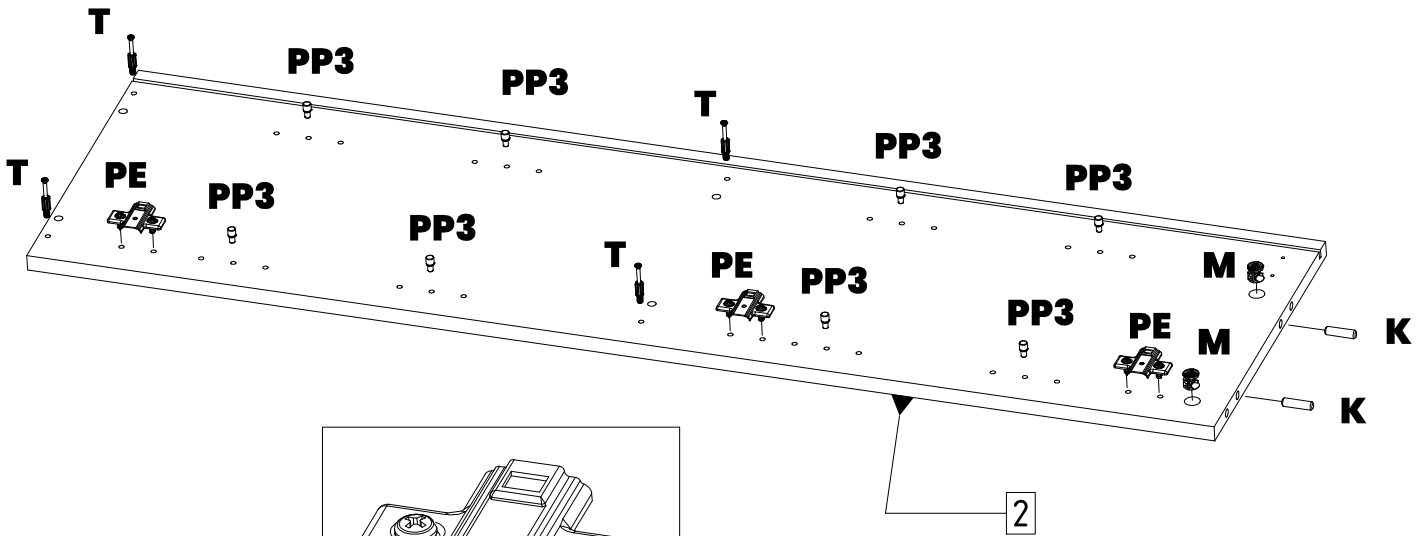
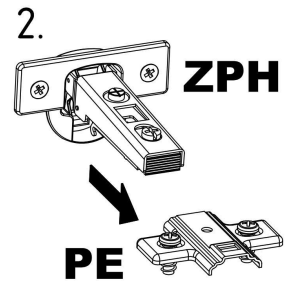
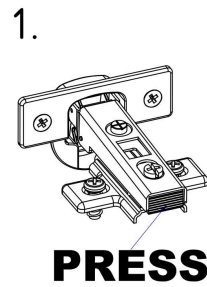
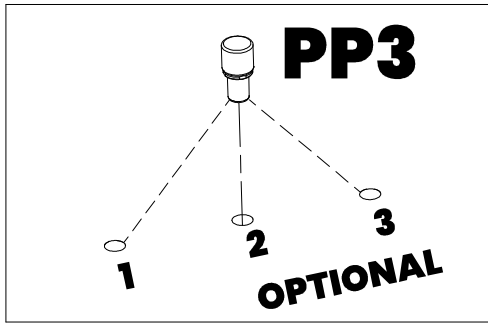
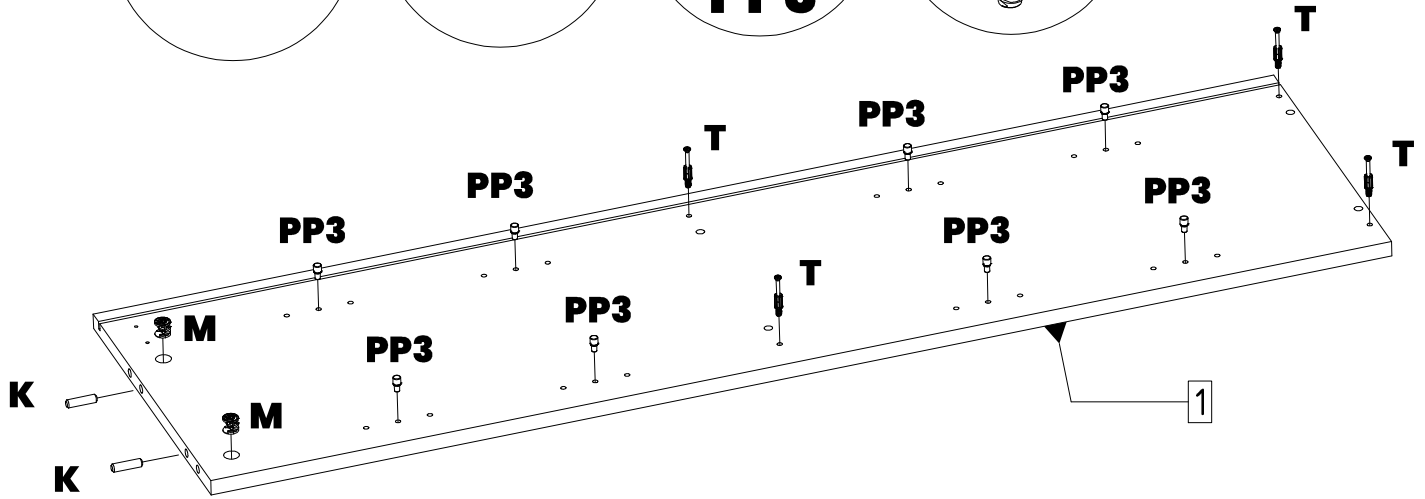
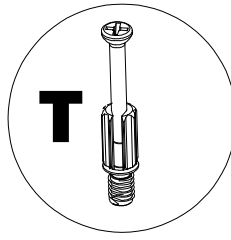
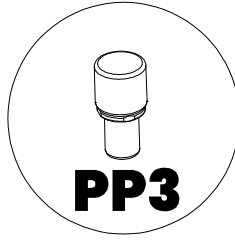
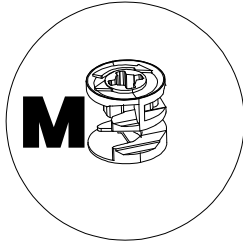
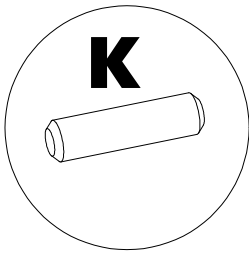
<p>8 x 30</p>  <p>K</p>	<p>15 x 12</p>  <p>M</p>	 <p>PE</p>	 <p>PP3</p>	 <p>ST</p>
<p>6 x 34 mm</p>  <p>T</p>	 <p>UF64</p>	<p>4 x 16</p>  <p>W16</p>	<p>4 x 30 mm</p>  <p>W29</p>	 <p>Z</p>
 <p>ZPH</p>	 <p>ZR</p>			

BL (1)	332	1184	1	K	12
BP (2)	332	1184	1	M	12
FT (3)	341	1195	1	PE	3
PC (4)	1181	327	1	PP3	16
PK (5)	312	302	4	ST	12
PPO (6)	313	313	1	T	12
WD (7)	332	313	1	UF64	1
WG (8)	346	332	1	W16	8
				W29	4
				Z	12
				ZPH	3
				ZR	2

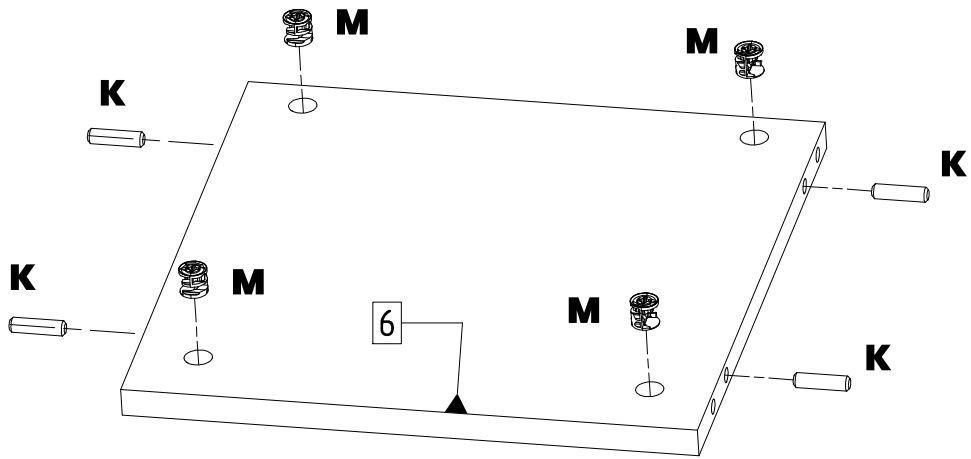
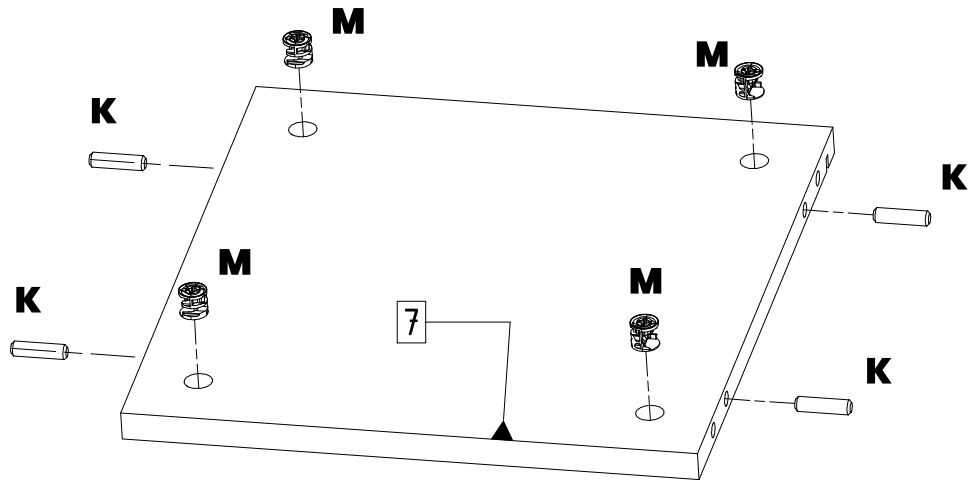




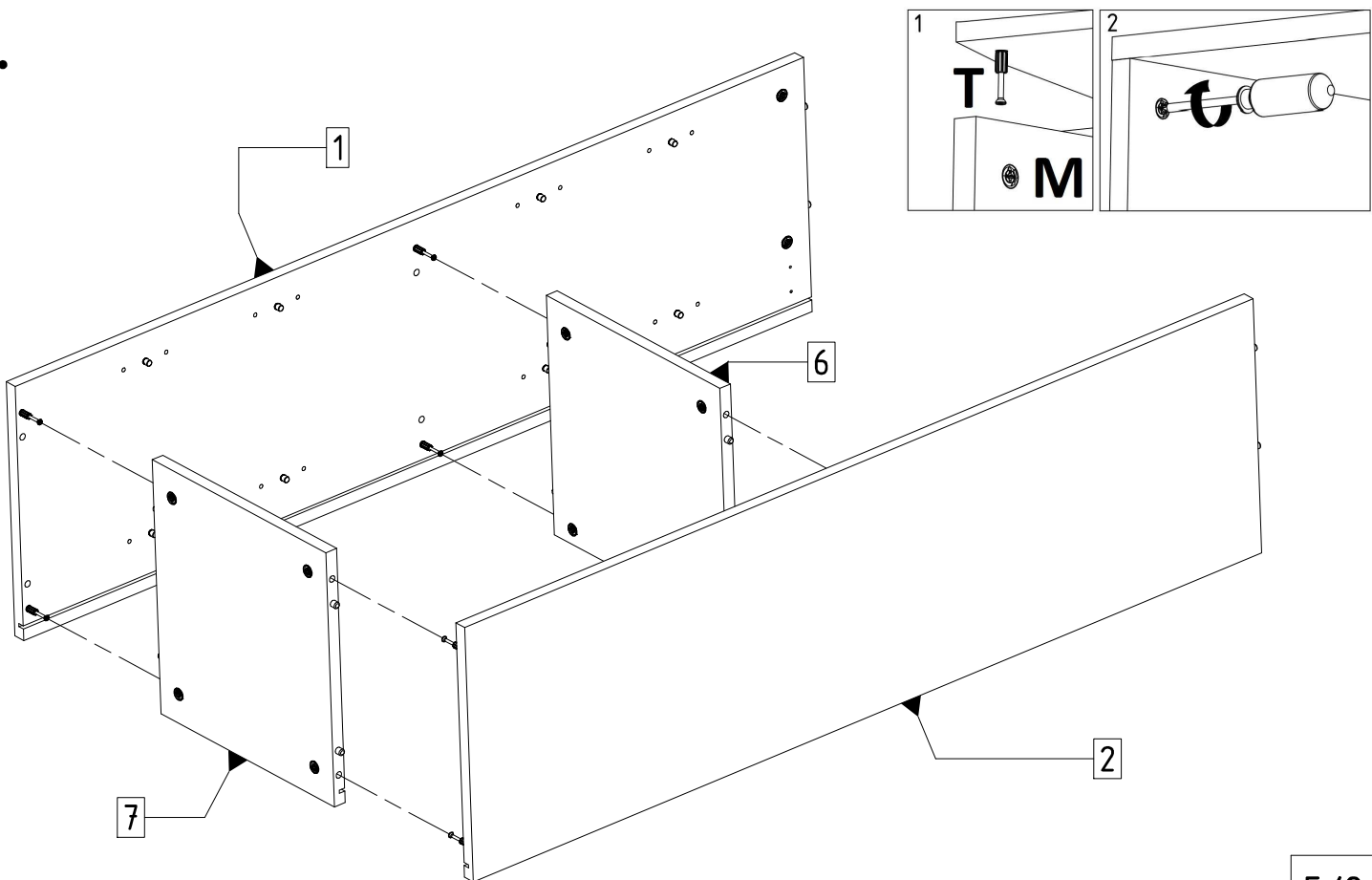
1.



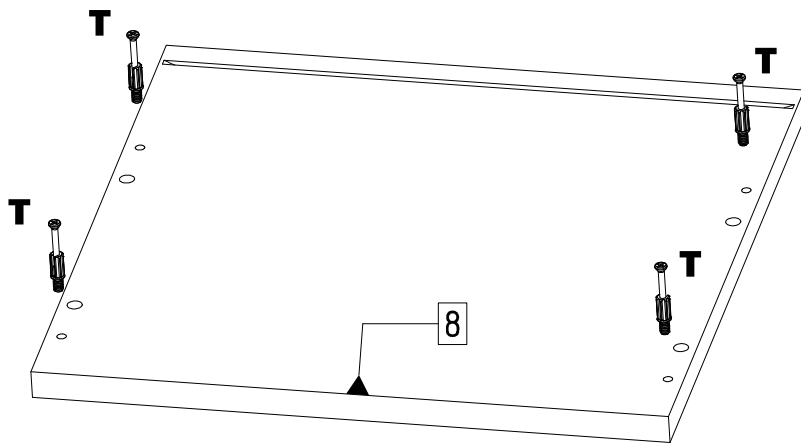
2.



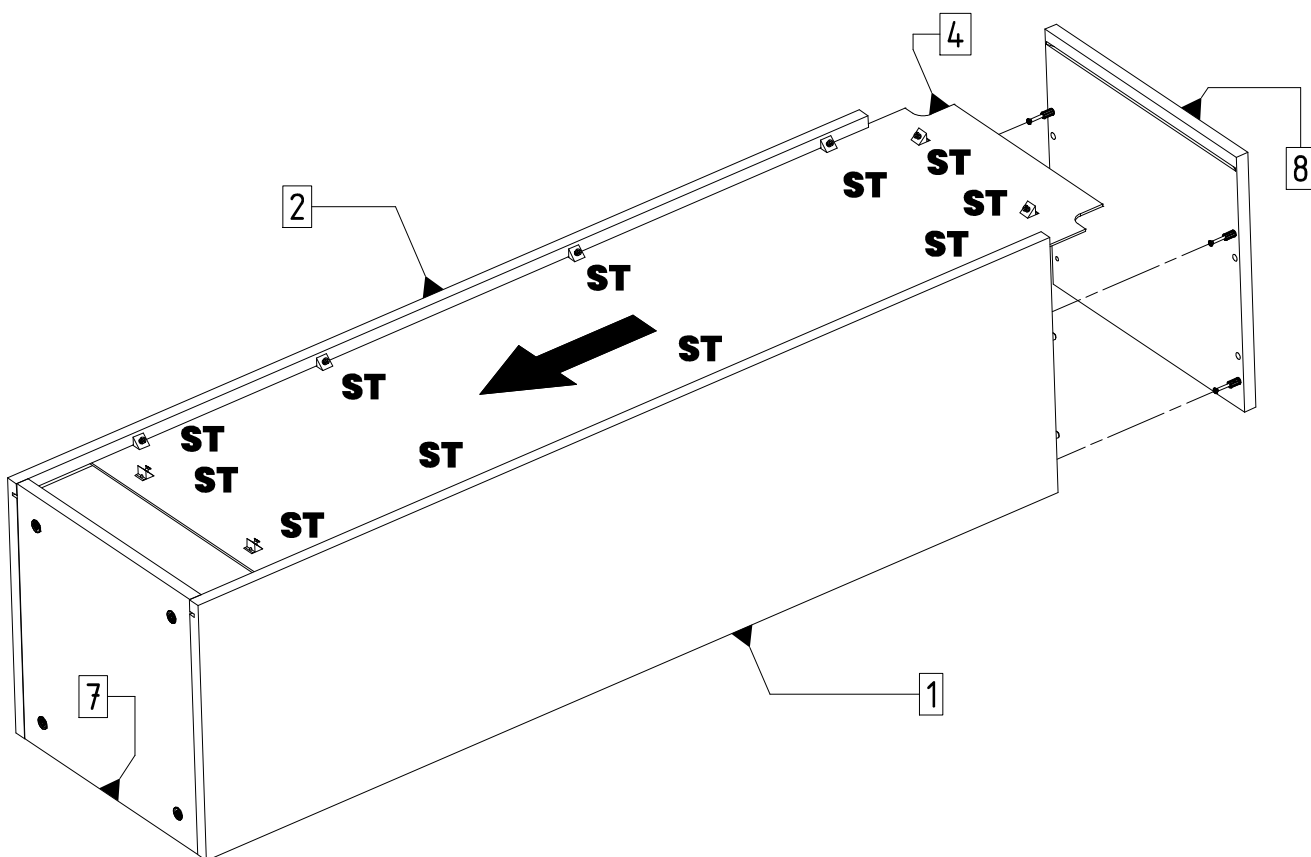
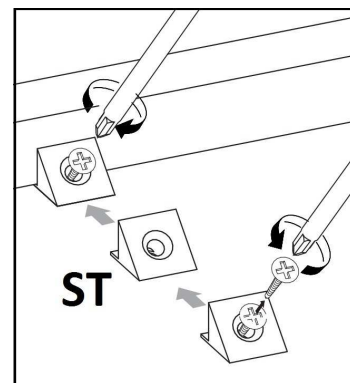
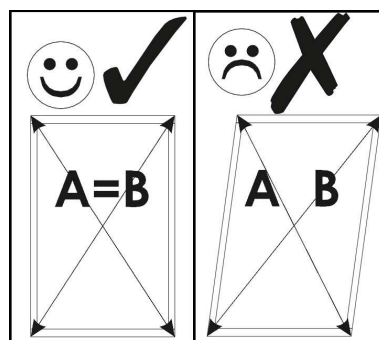
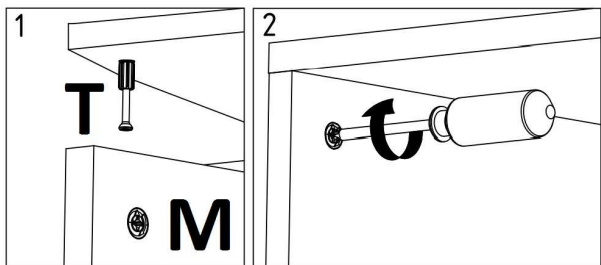
3.



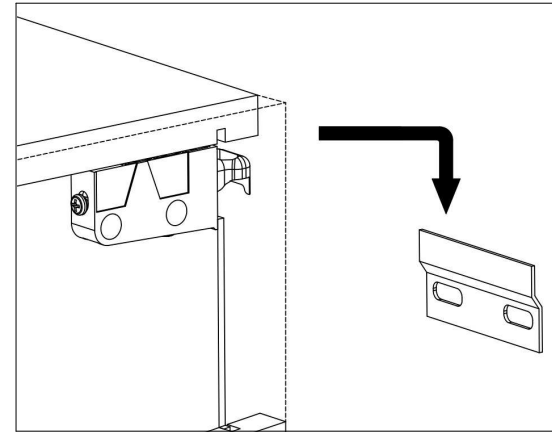
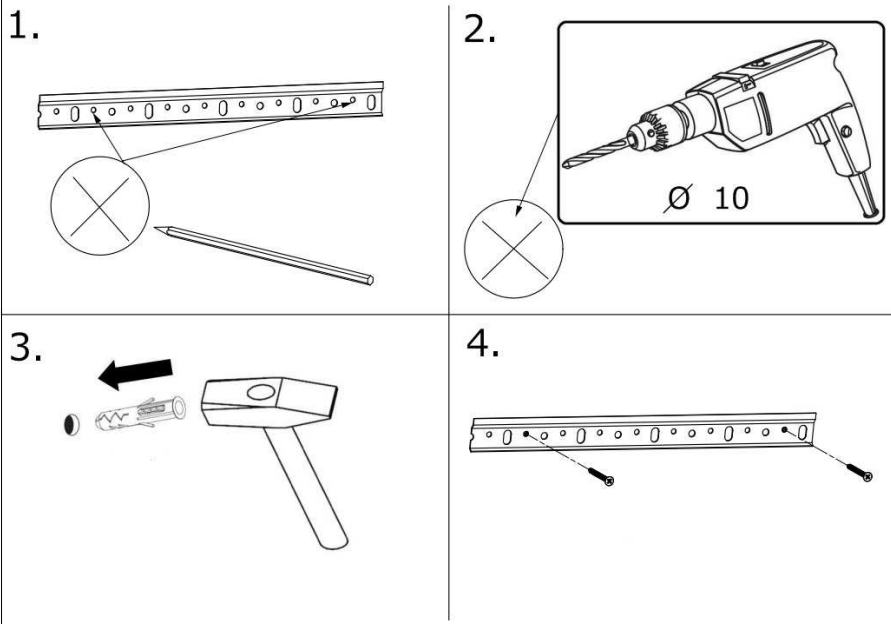
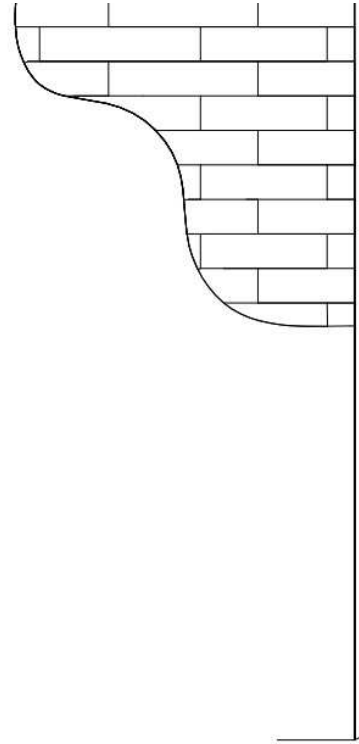
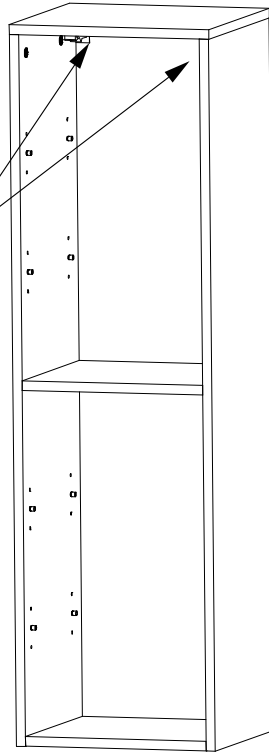
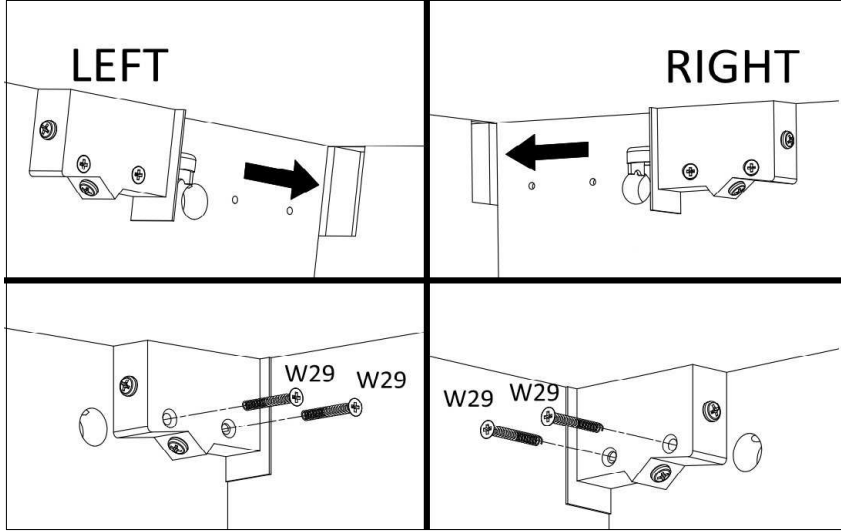
4.



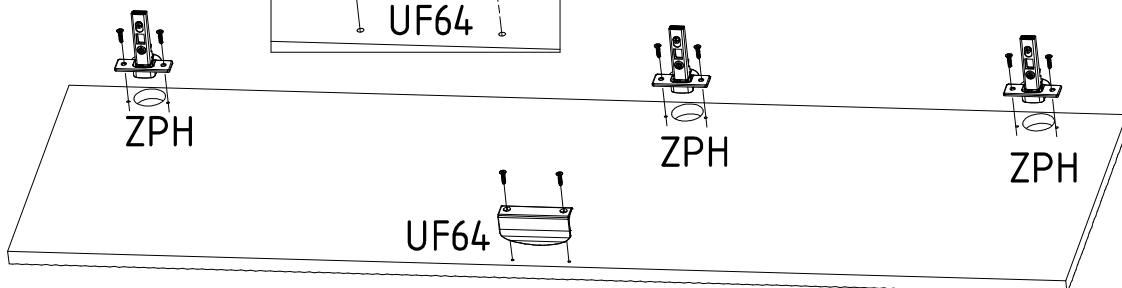
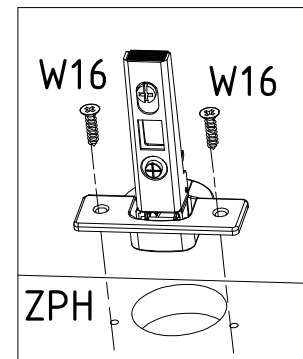
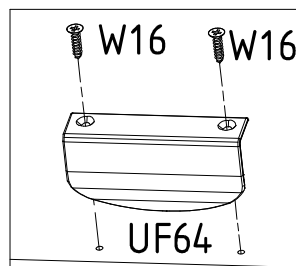
5.



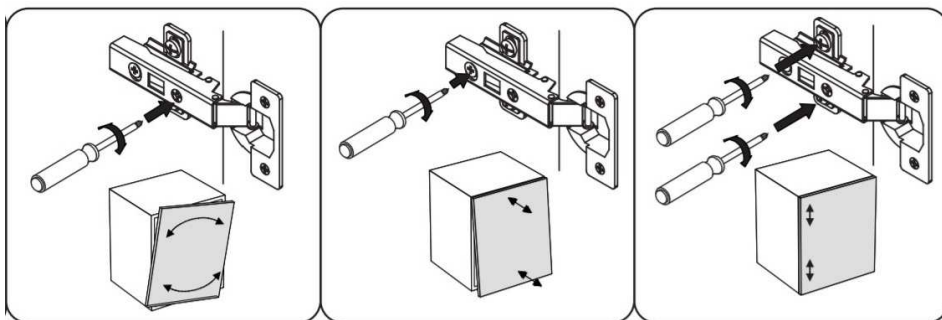
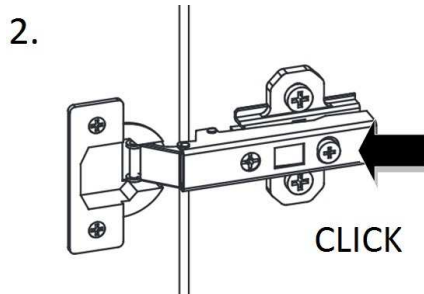
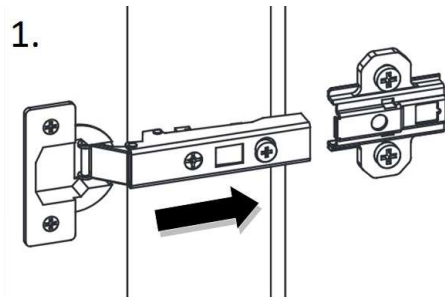
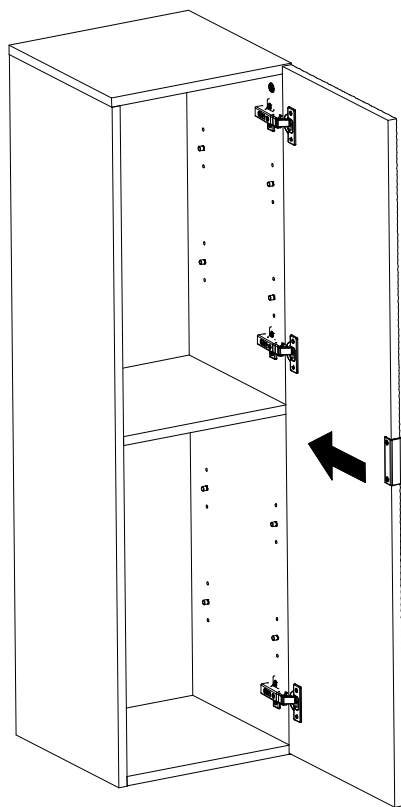
6.



7.



8.



max.
6 kg

