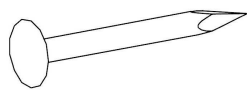
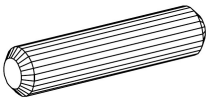
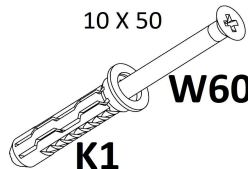
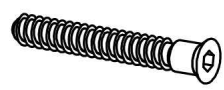

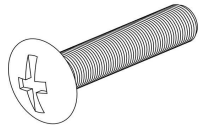
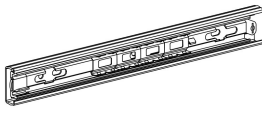

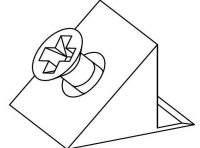
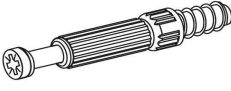

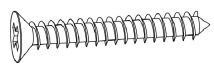
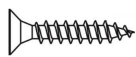
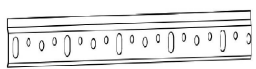
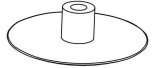
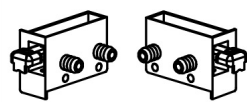
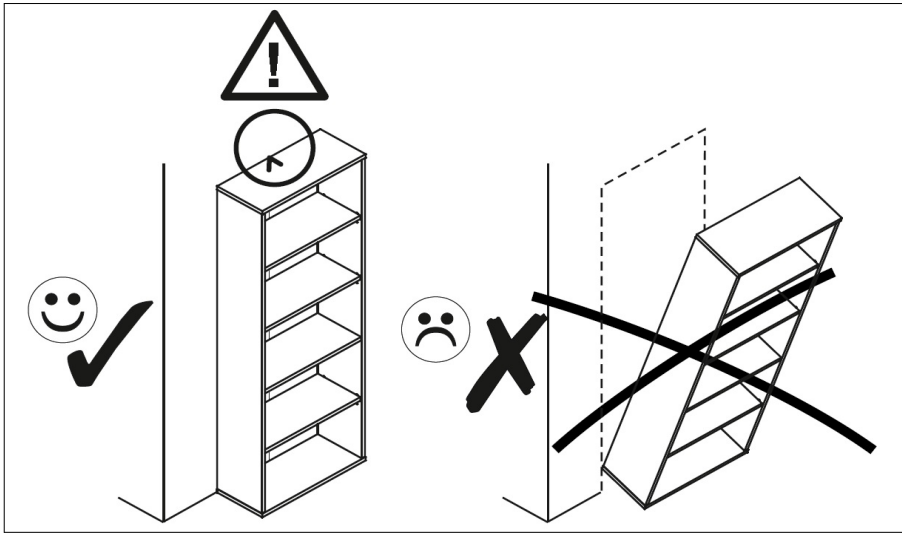
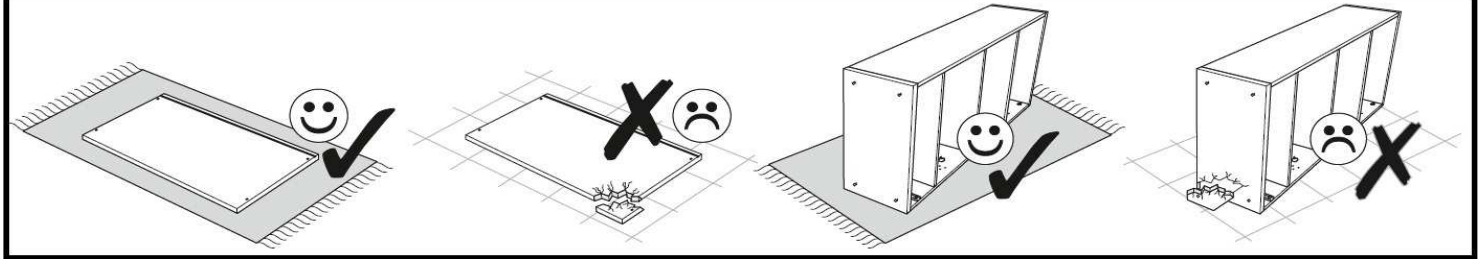
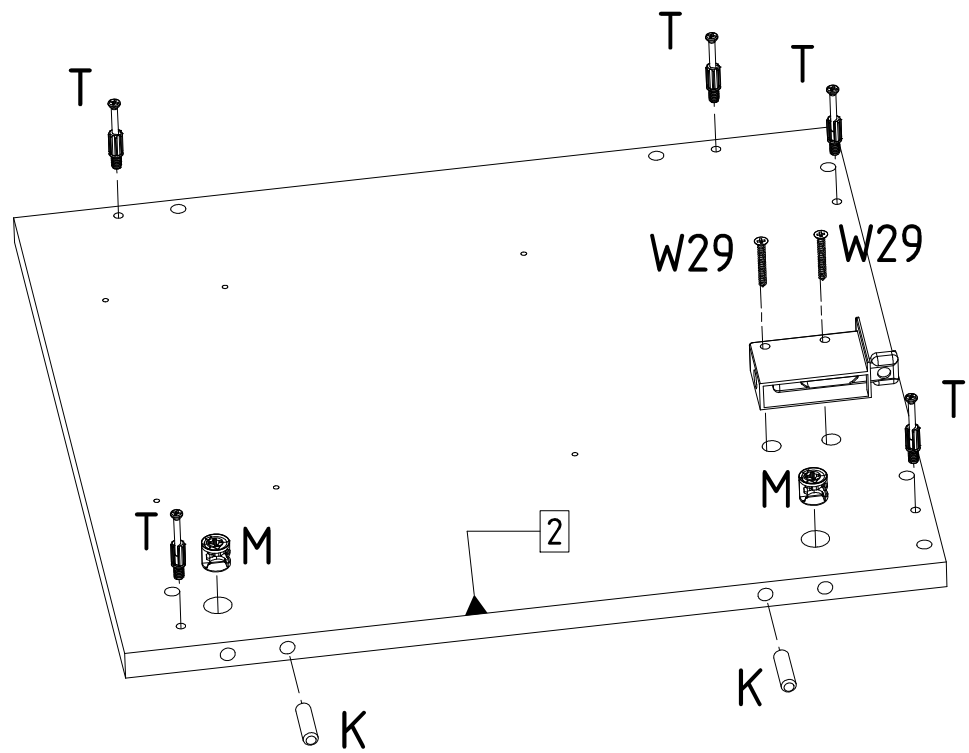
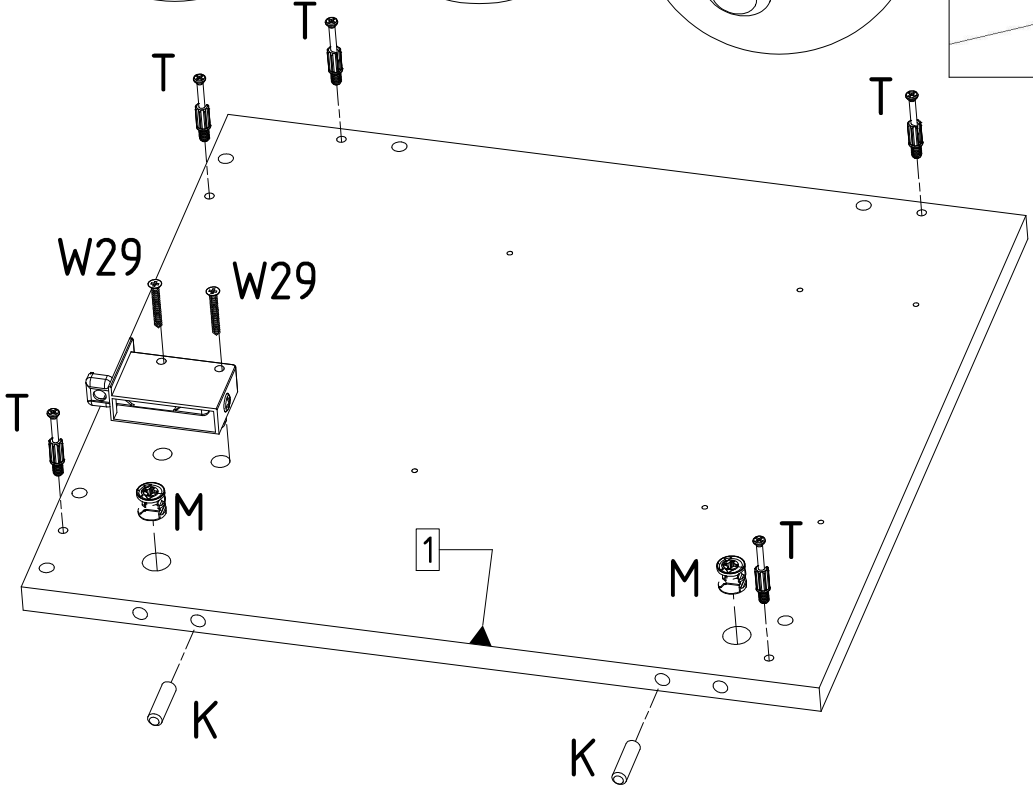
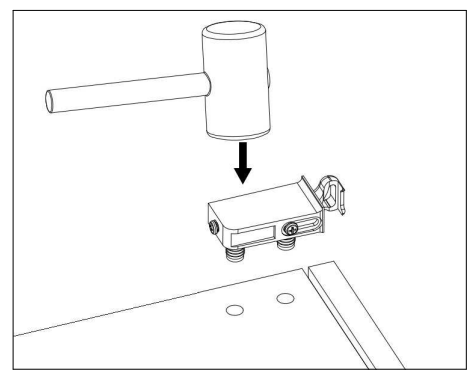
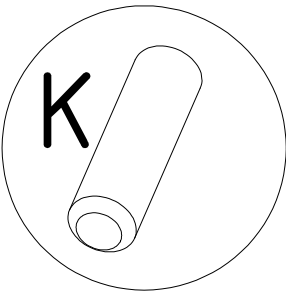
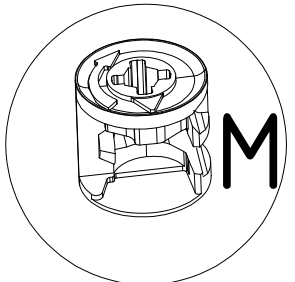
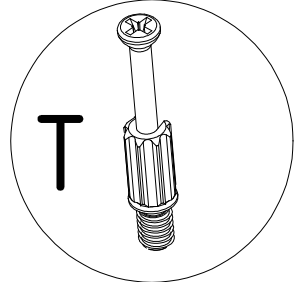
 A1	 G	8 x 30  K	10 X 50  K1	 KN
15 x 12  M	4X22  M22	L350  PKR	L350  PWK	 ST
6 x 34 mm  T	 UG27	4 x 30 mm  W29	3 x 16mm  W3	L= 765 mm  WM
 Z	LEFT / RIGHT  ZM01			

BL [1]	440	404	1	A1	1
BP [2]	440	404	1	G	35
FTS1 [3]	797	196	1	K	22
FTS2 [4]	797	196	1	K1	5
KBL [5]	350	95	2	KN	16
KBL2 [6]	350	95	1	M	22
KBP [7]	350	95	2	M22	2
KBP2 [8]	350	95	1	PKR	4
KD [9]	739	354	1	PWK	4
KD2 [10]	357	294	2	ST	4
KT [11]	711	95	1	T	22
KT2 [12]	264	95	2	UG27	2
LC1 [13]	767	70	2	W29	4
LC2 [14]	767	100	1	W3	20
LS [15]	95	151	1	W60	5
WD [16]	440	767	1	WM	1
WG [17]	800	459	1	Z	10
				ZM01	2

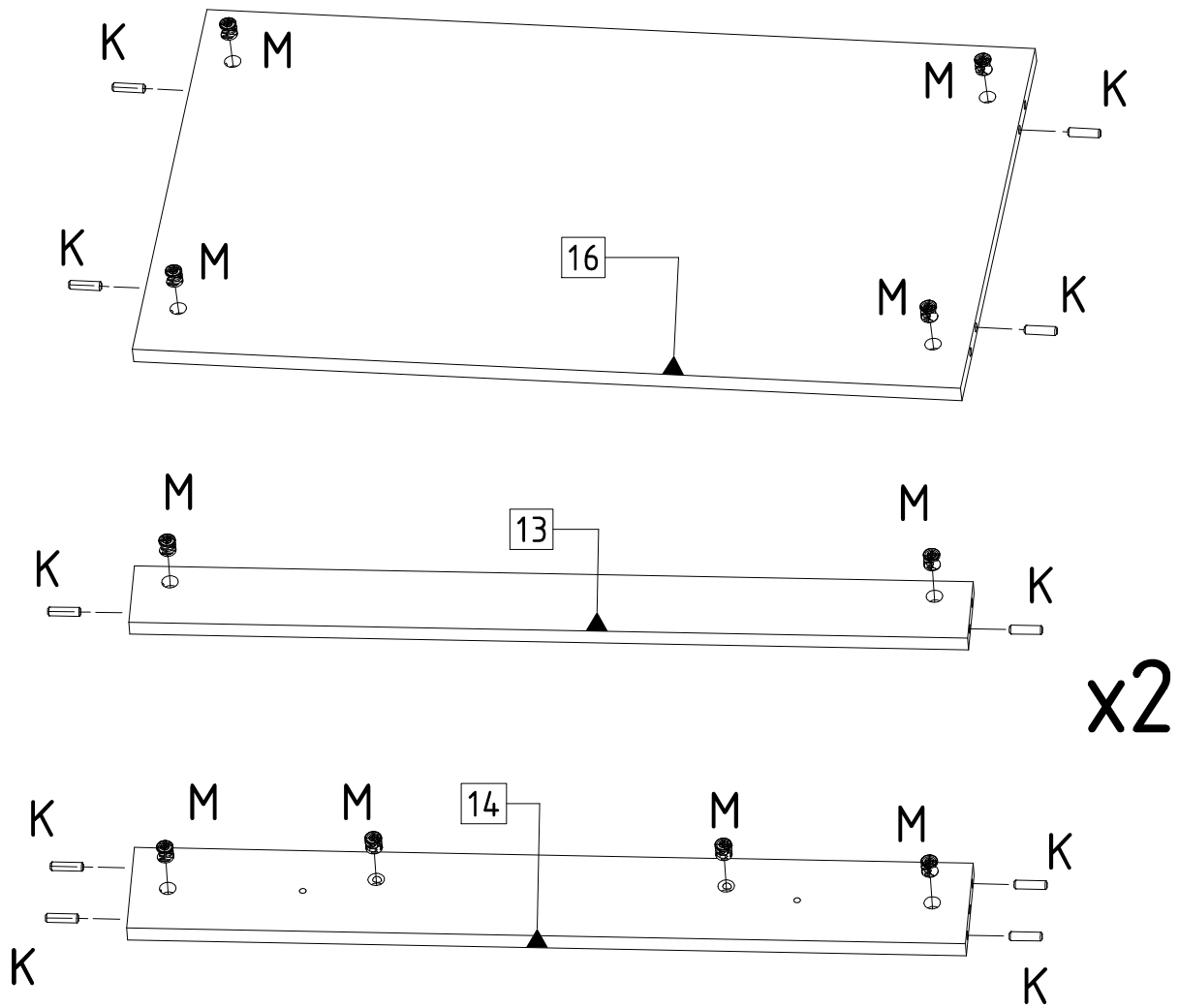




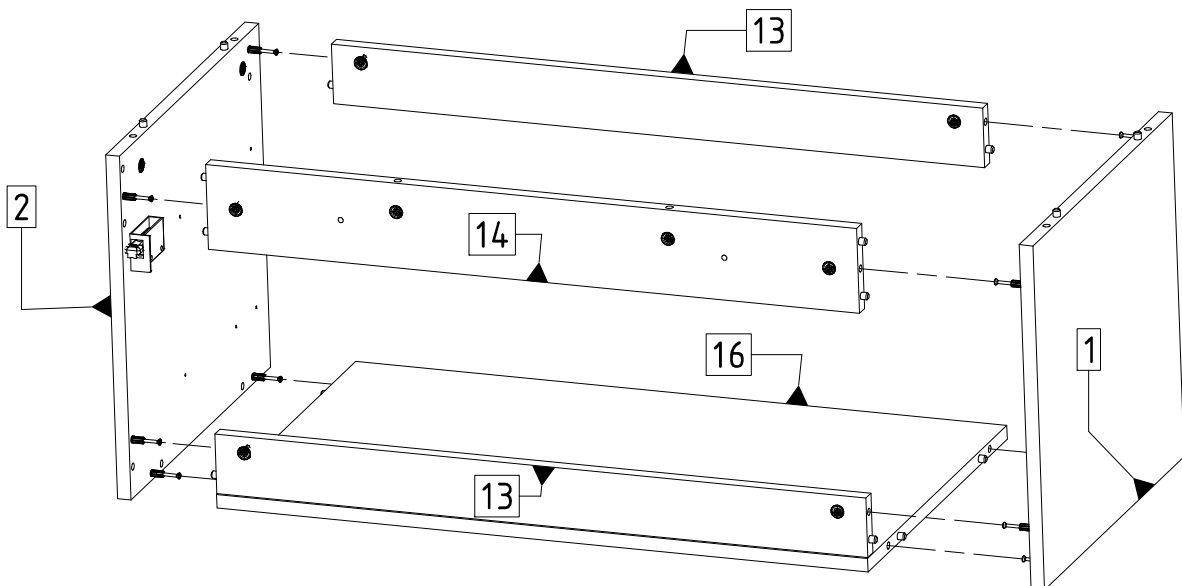
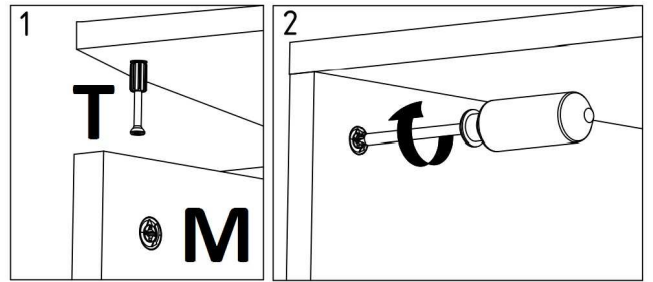
1.



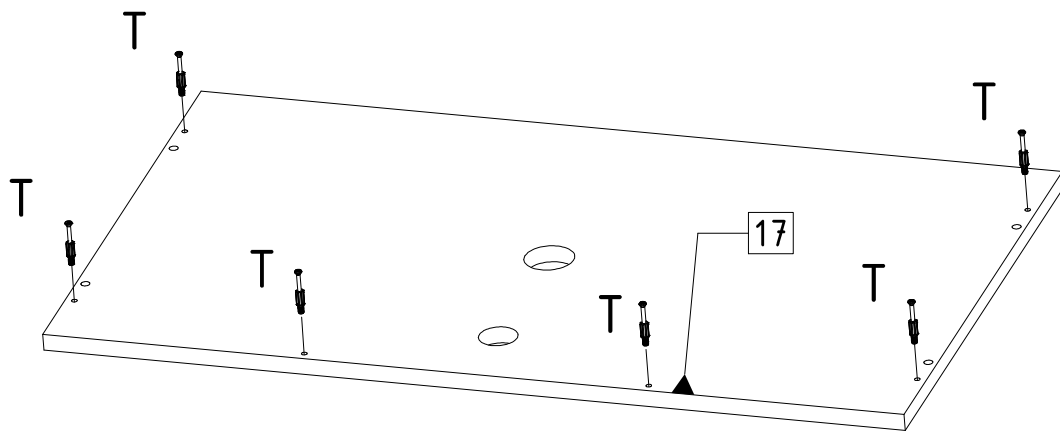
2.



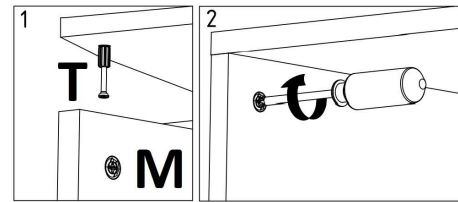
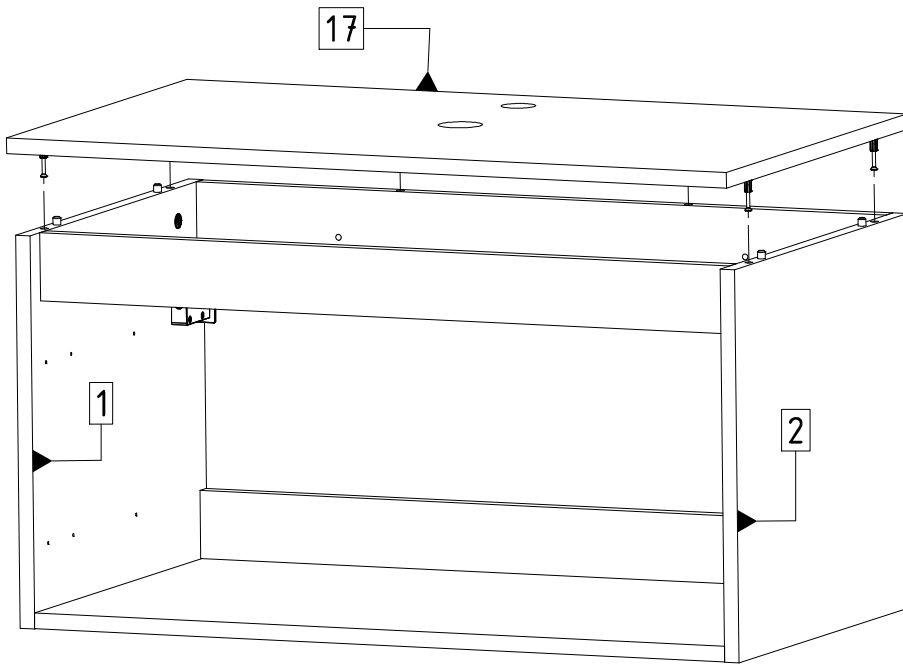
3.



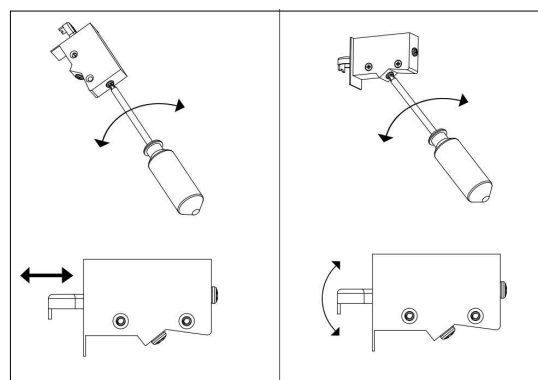
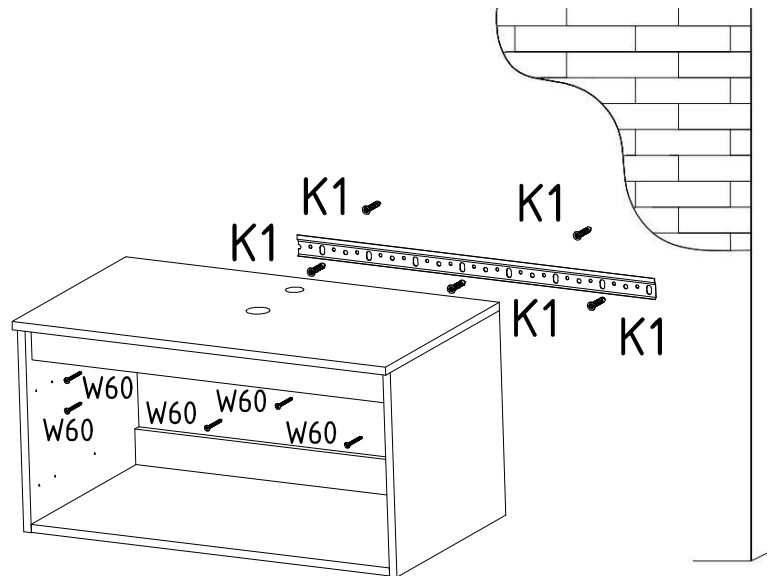
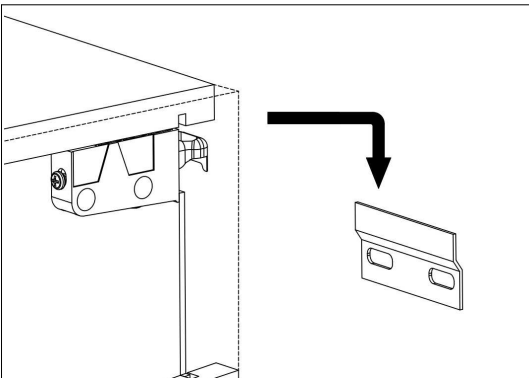
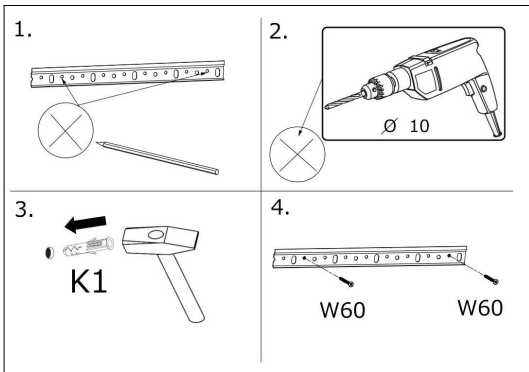
4.



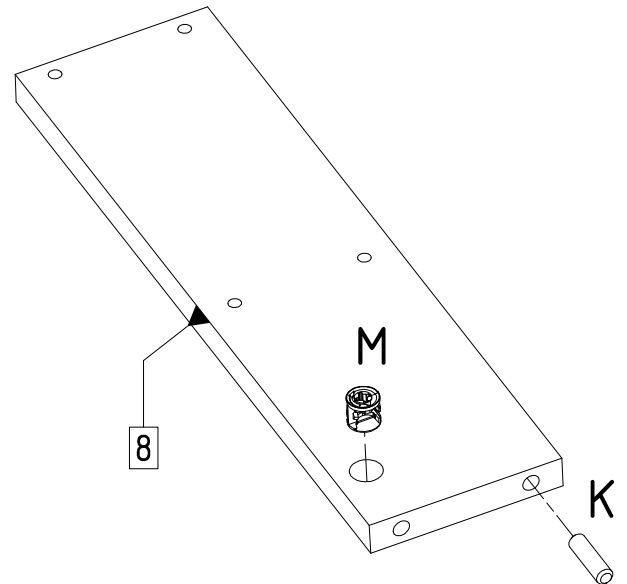
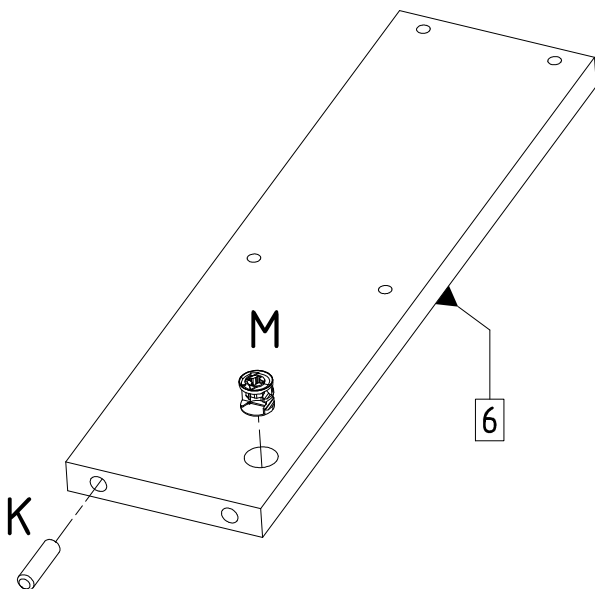
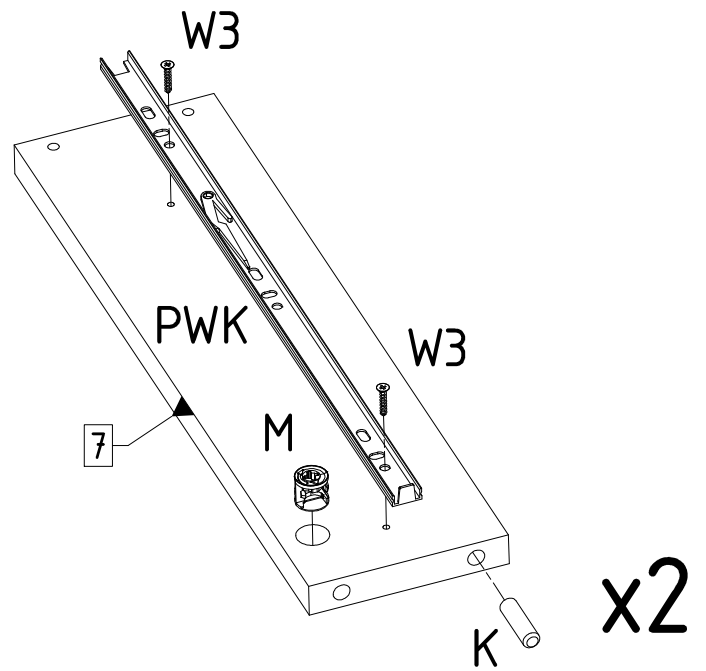
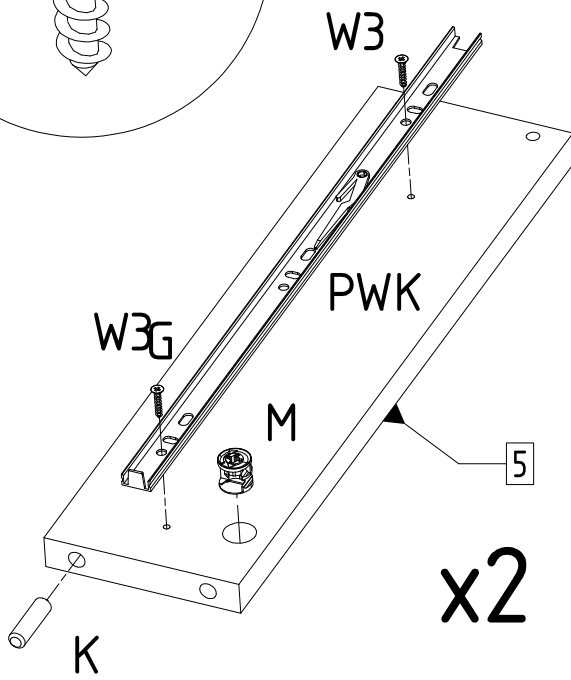
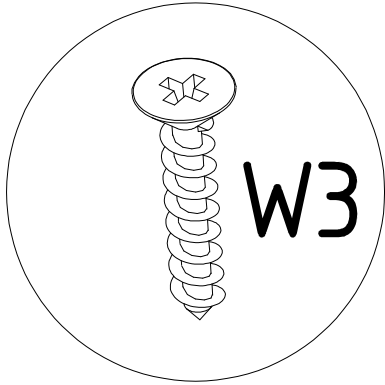
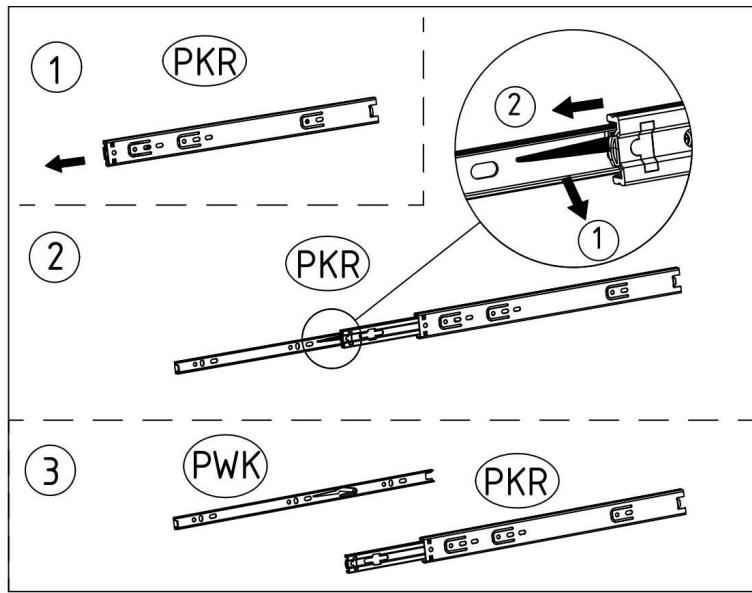
5.



6.

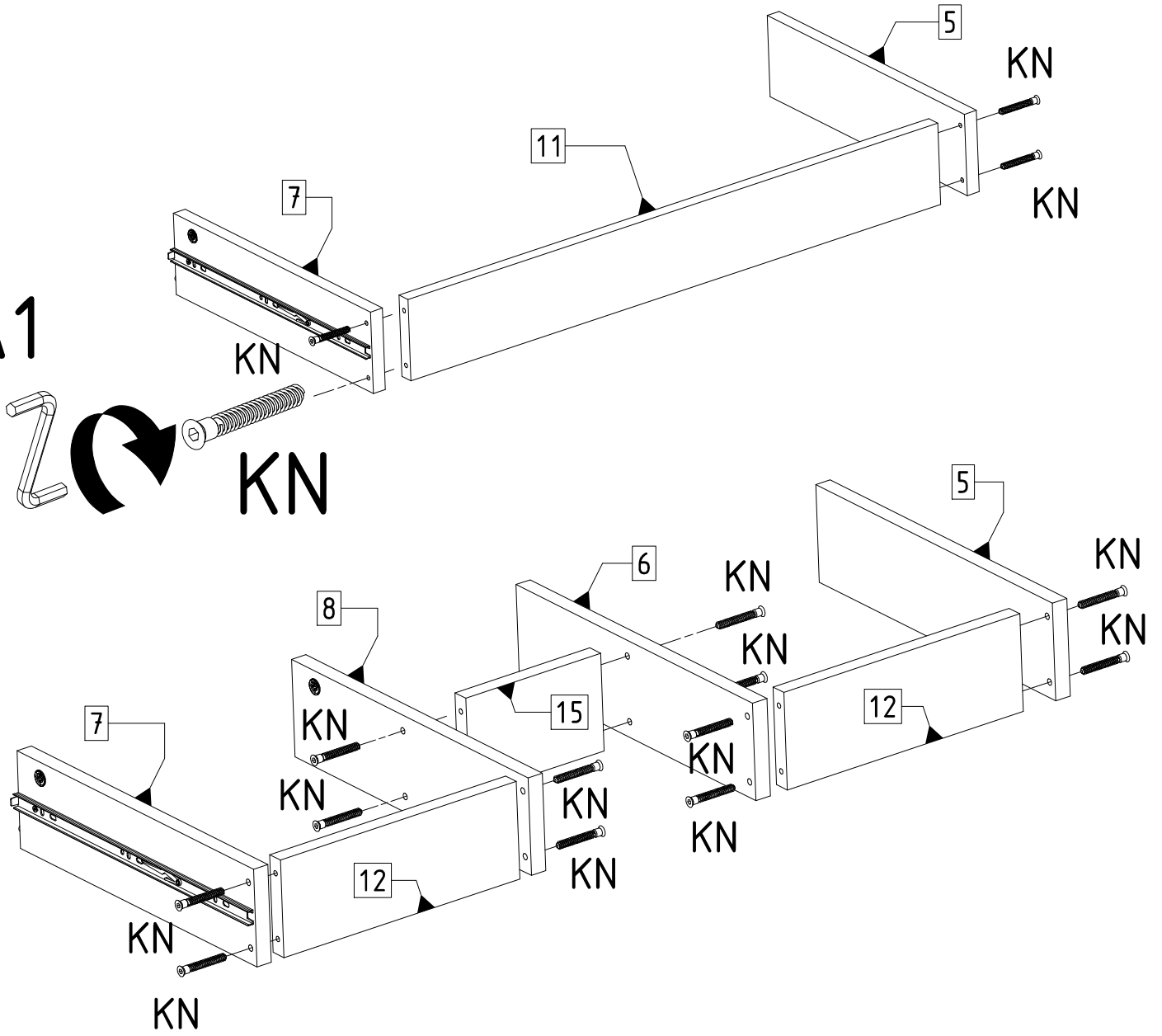


7.

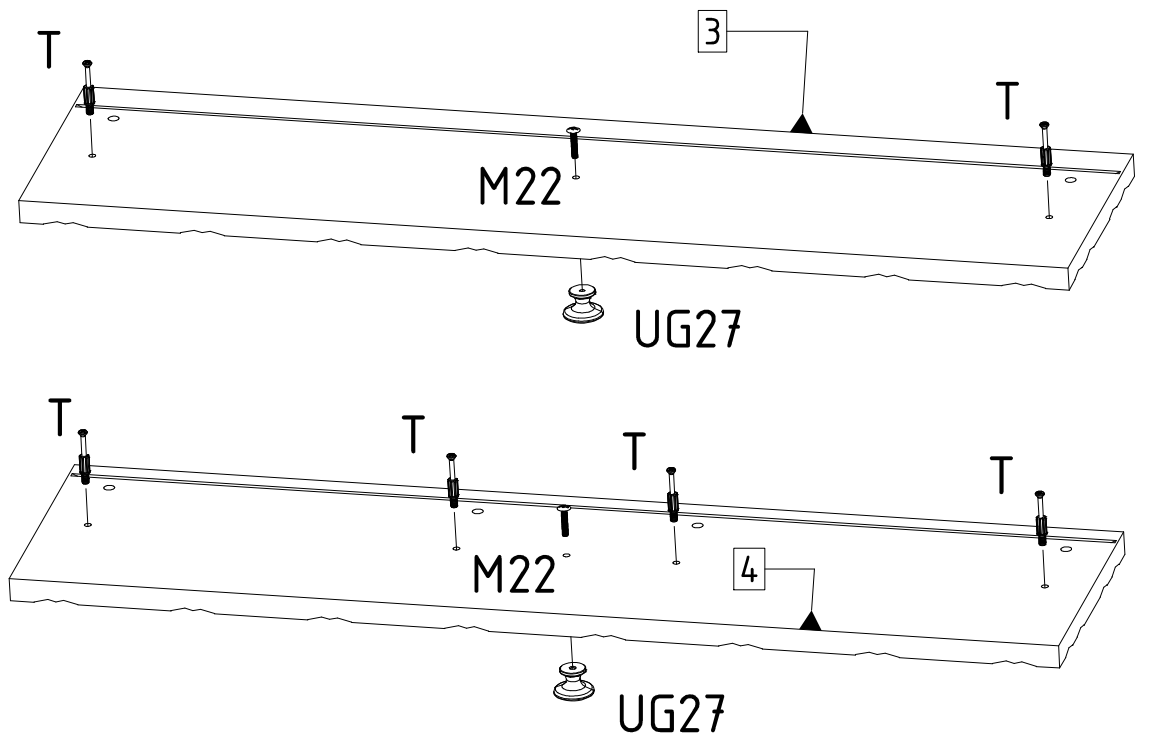
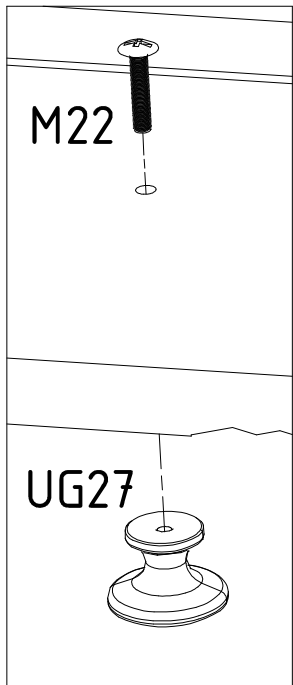


8.

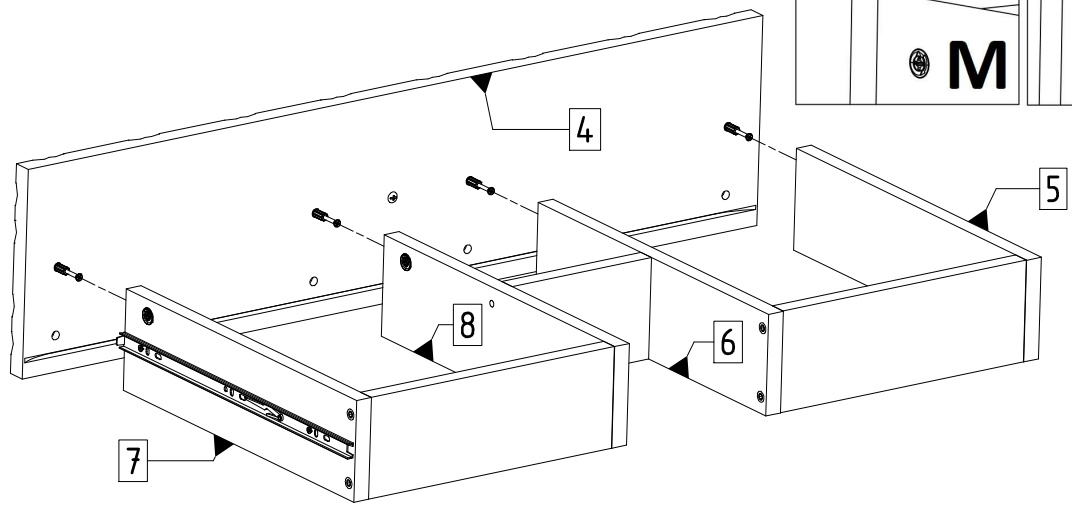
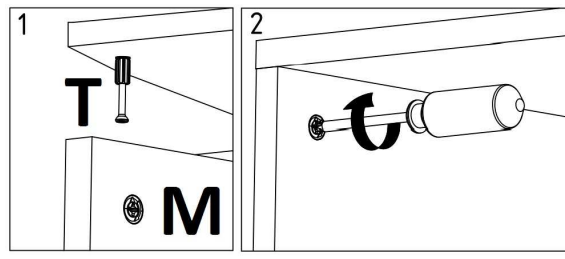
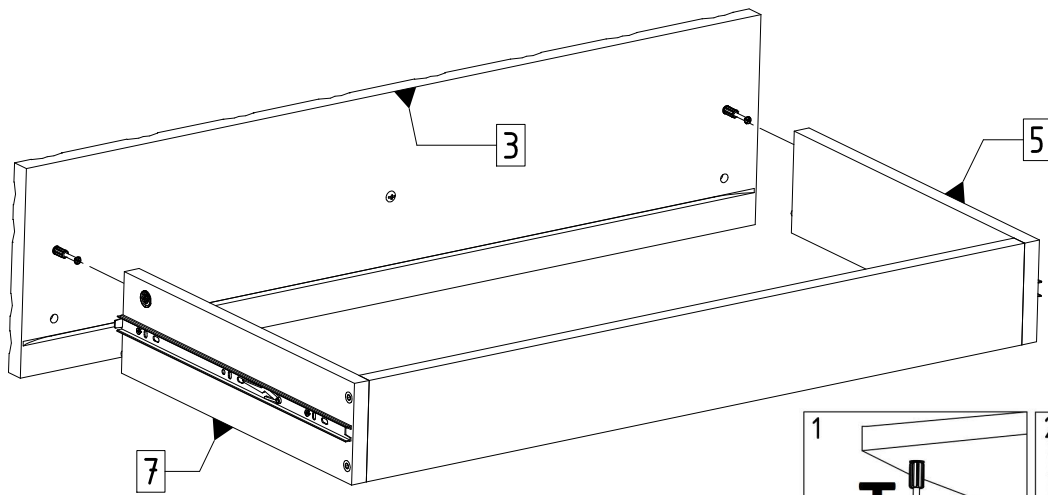
A1



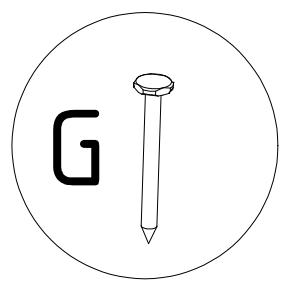
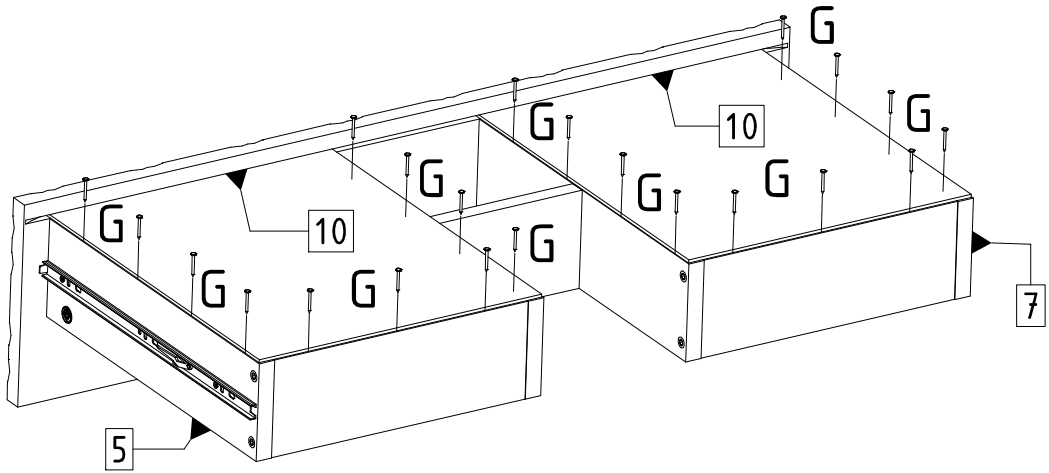
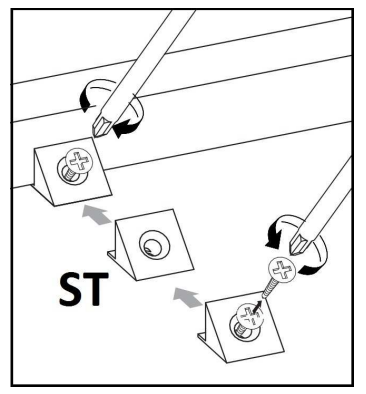
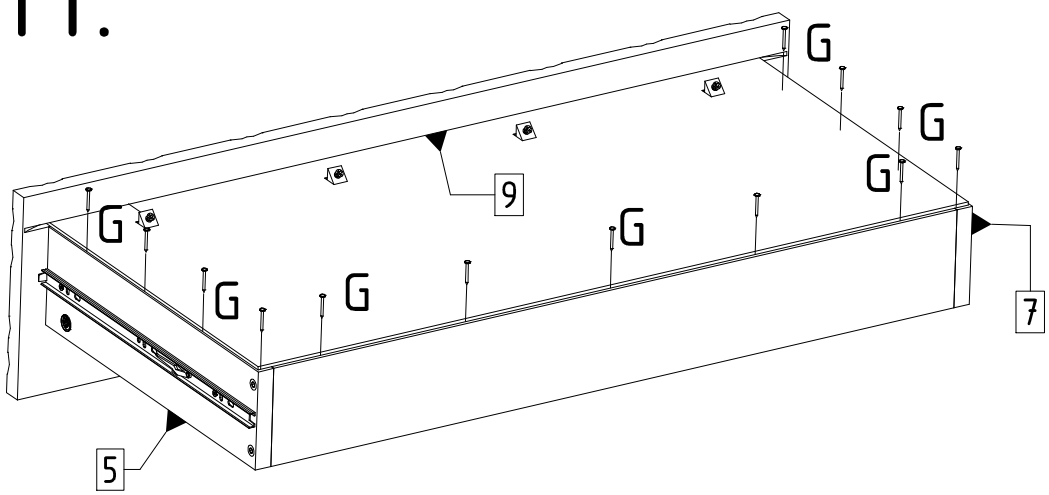
9.



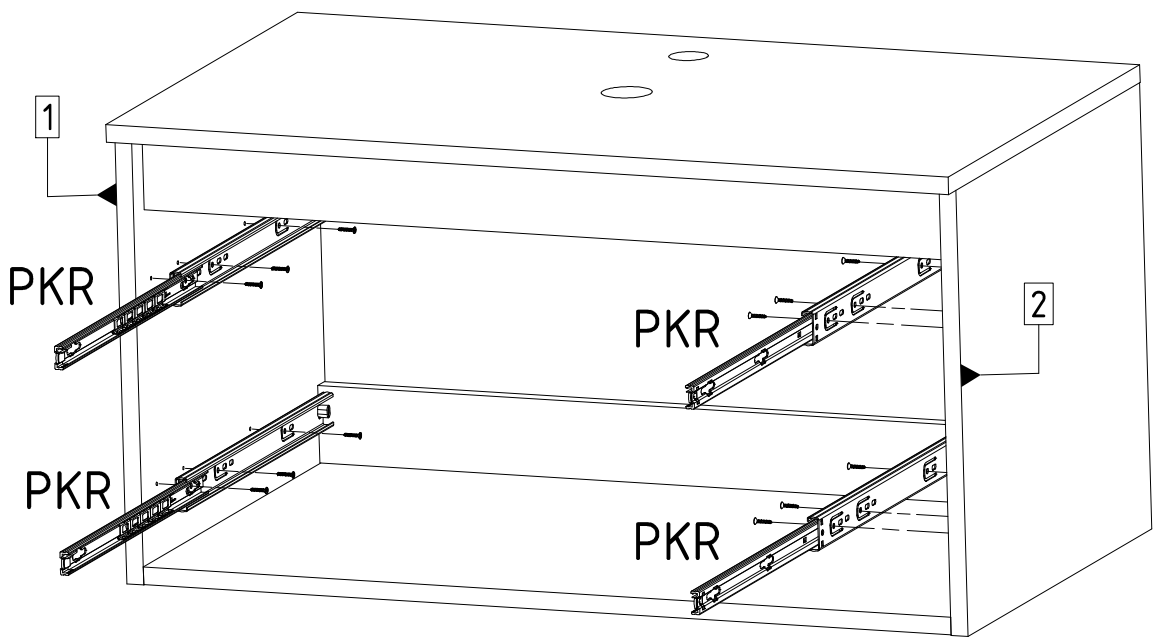
10.



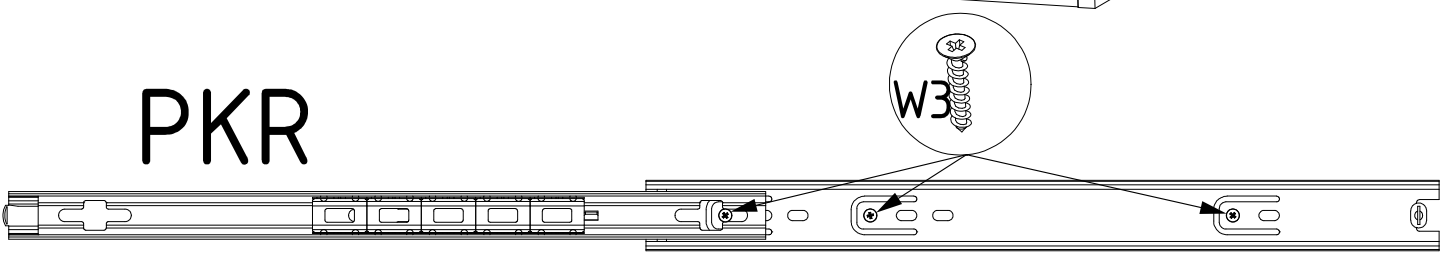
11.



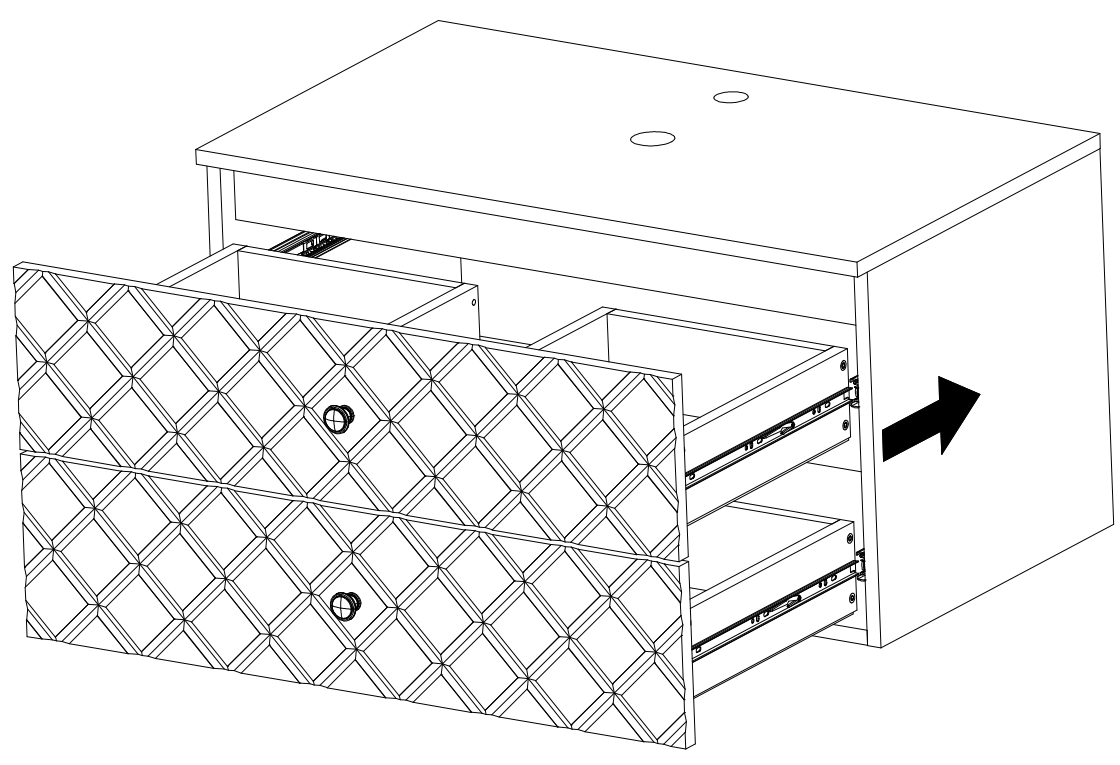
12.

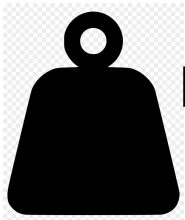
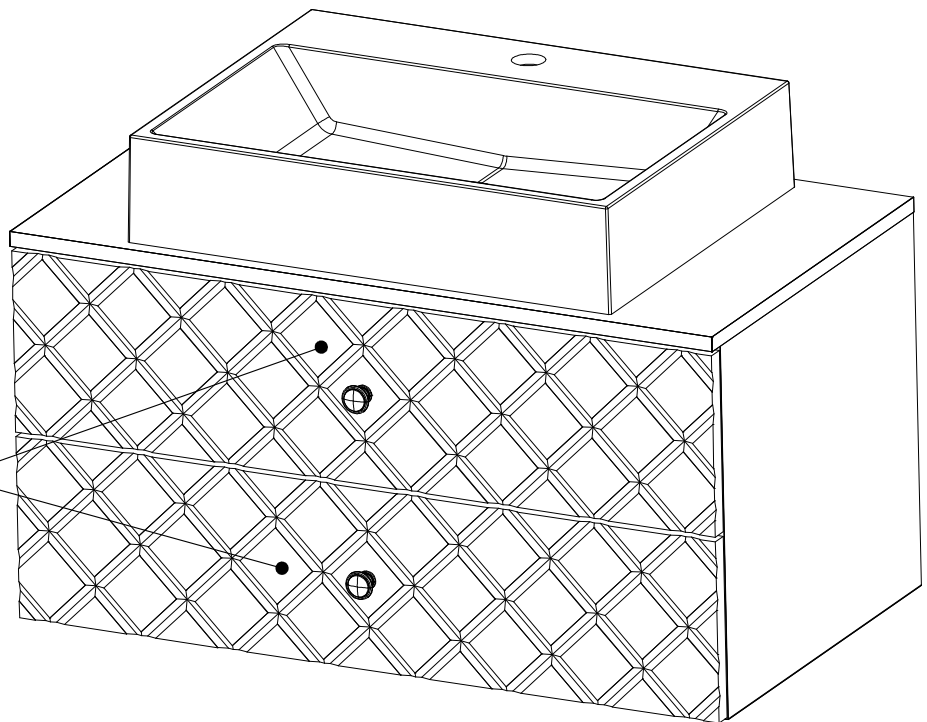
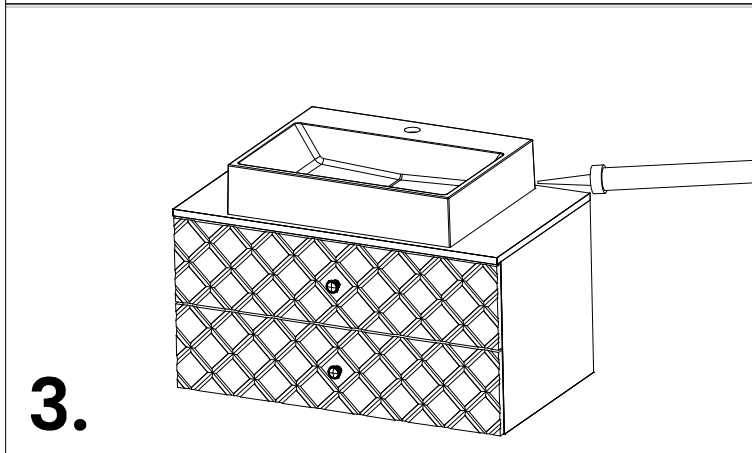
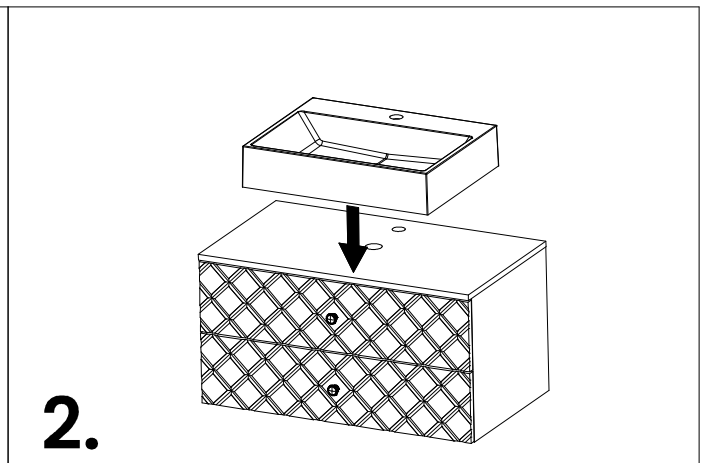
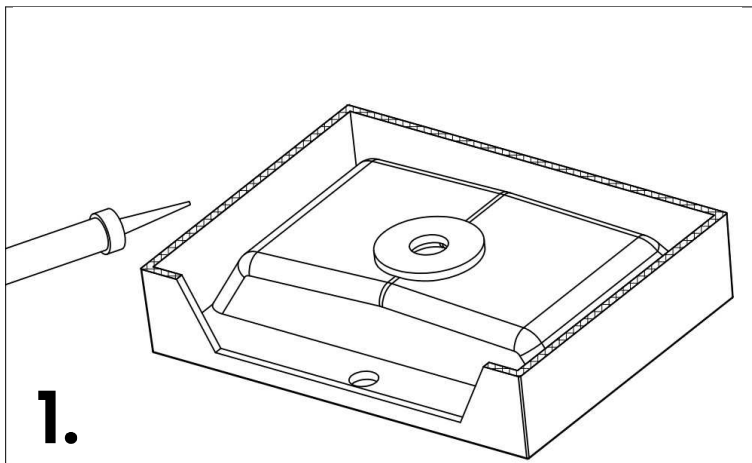


PKR

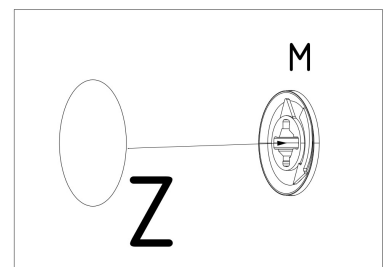
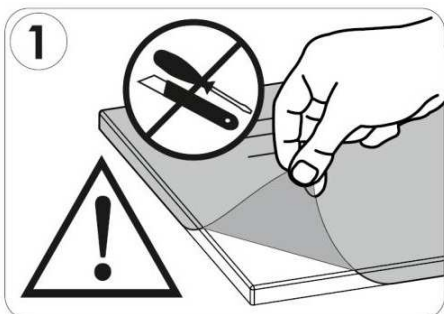


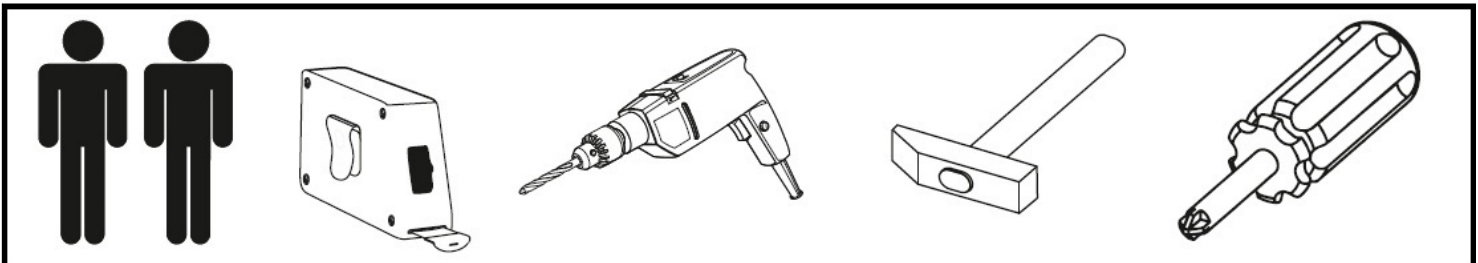
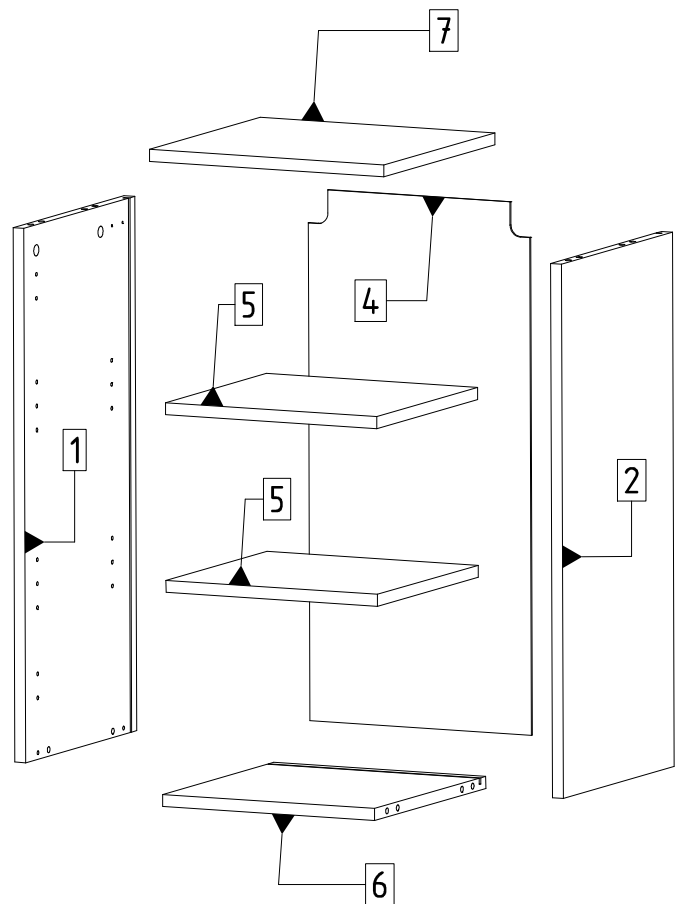
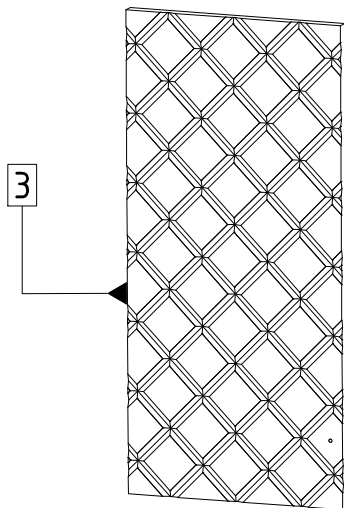
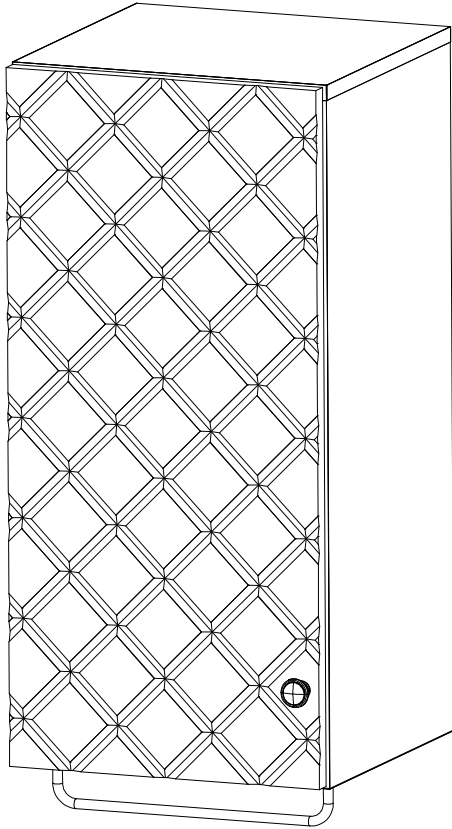
13.

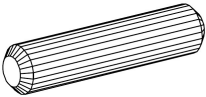

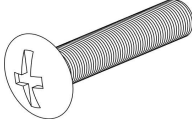
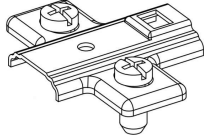
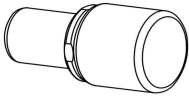
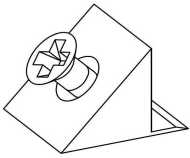
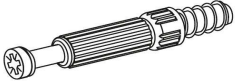


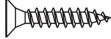
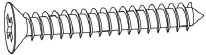

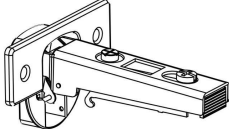
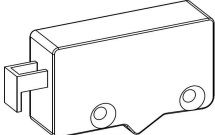




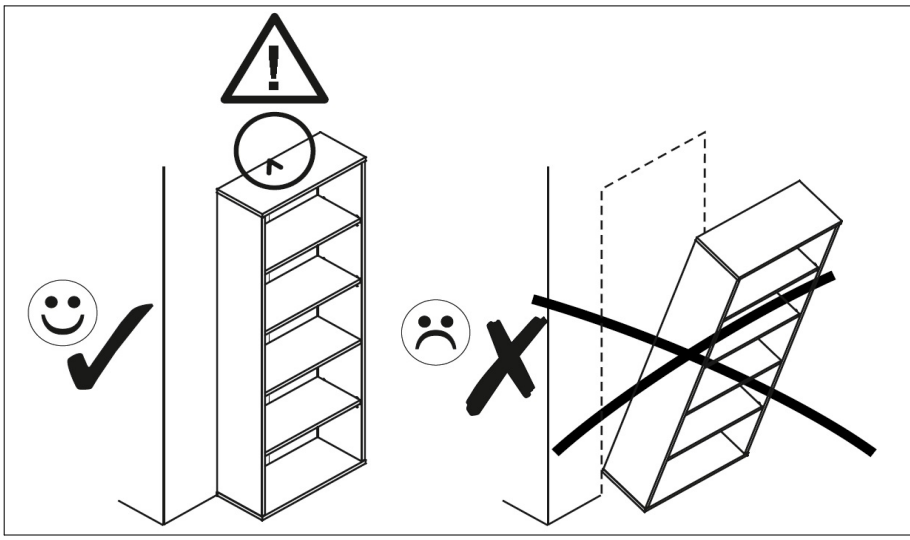
**max.
6 kg**

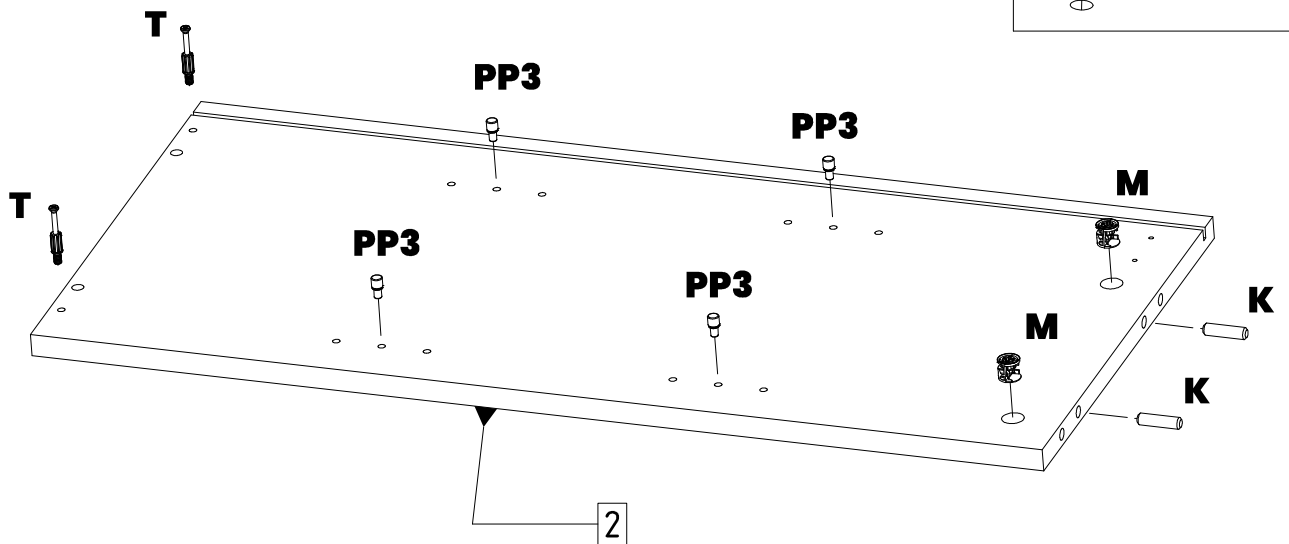
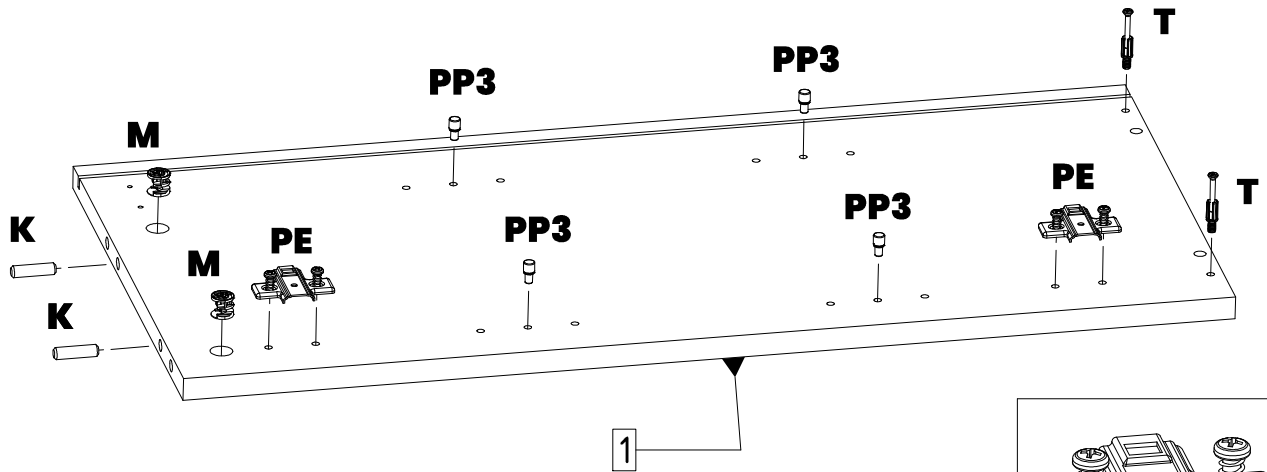
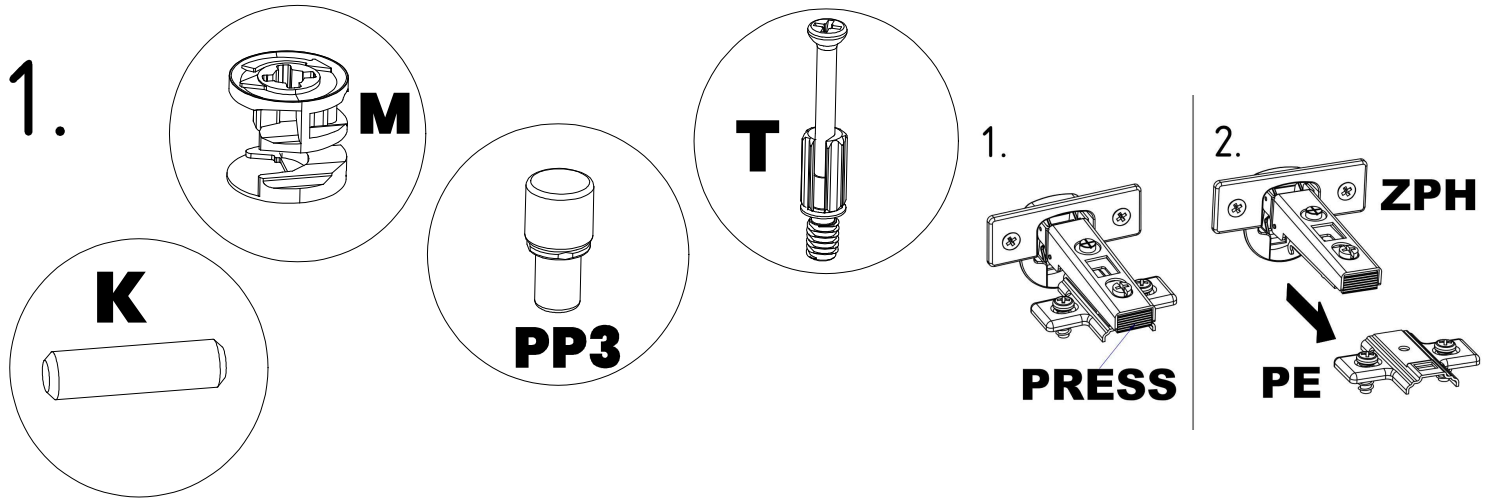
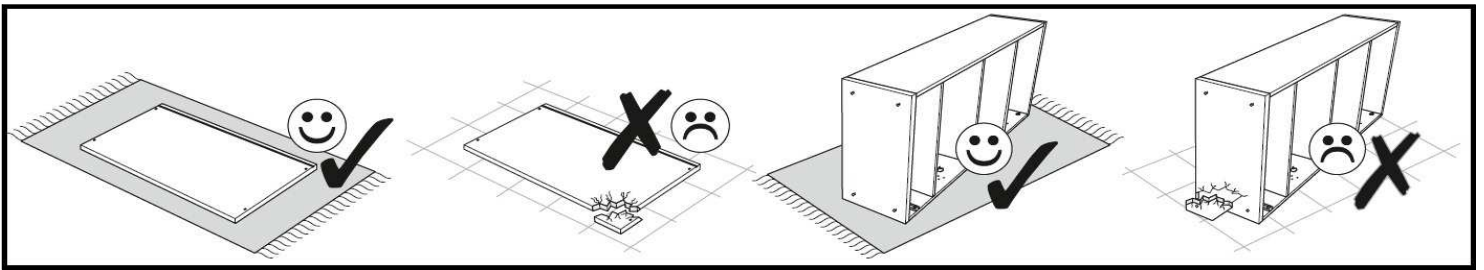




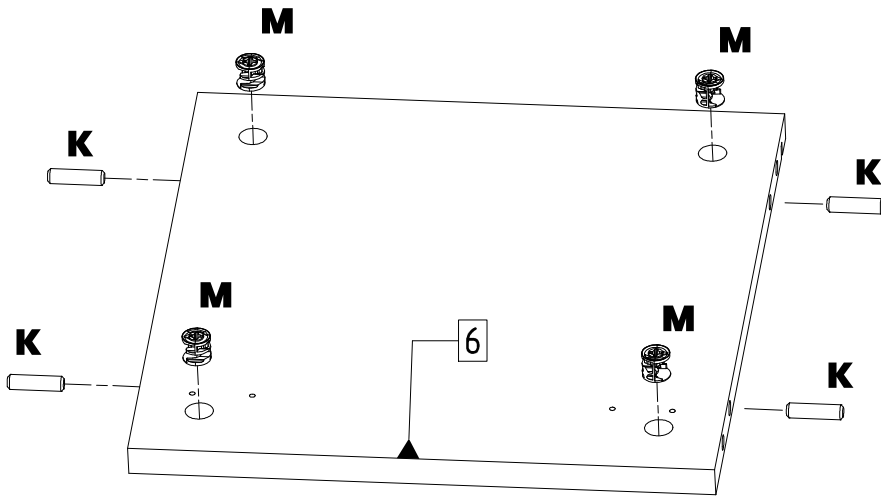
8 x 30  K	15 x 12  M	4X22  M22	 PE	 PP3
 ST	6 x 34 mm  T	 UG27	 UNR	4 x 16  W16
4 x 30 mm  W29	 Z	 ZPH	 ZR	

BL [1]	332	714	1	K	8
BP [2]	332	714	1	M	8
FT [3]	341	725	1	M22	1
PC [4]	711	327	1	PE	2
PK [5]	312	302	2	PP3	8
WD [6]	332	313	1	ST	10
WG [7]	346	332	1	T	8
				UG27	1
				UNR	1
				W16	8
				W29	4
				Z	8
				ZPH	2
				ZR	2

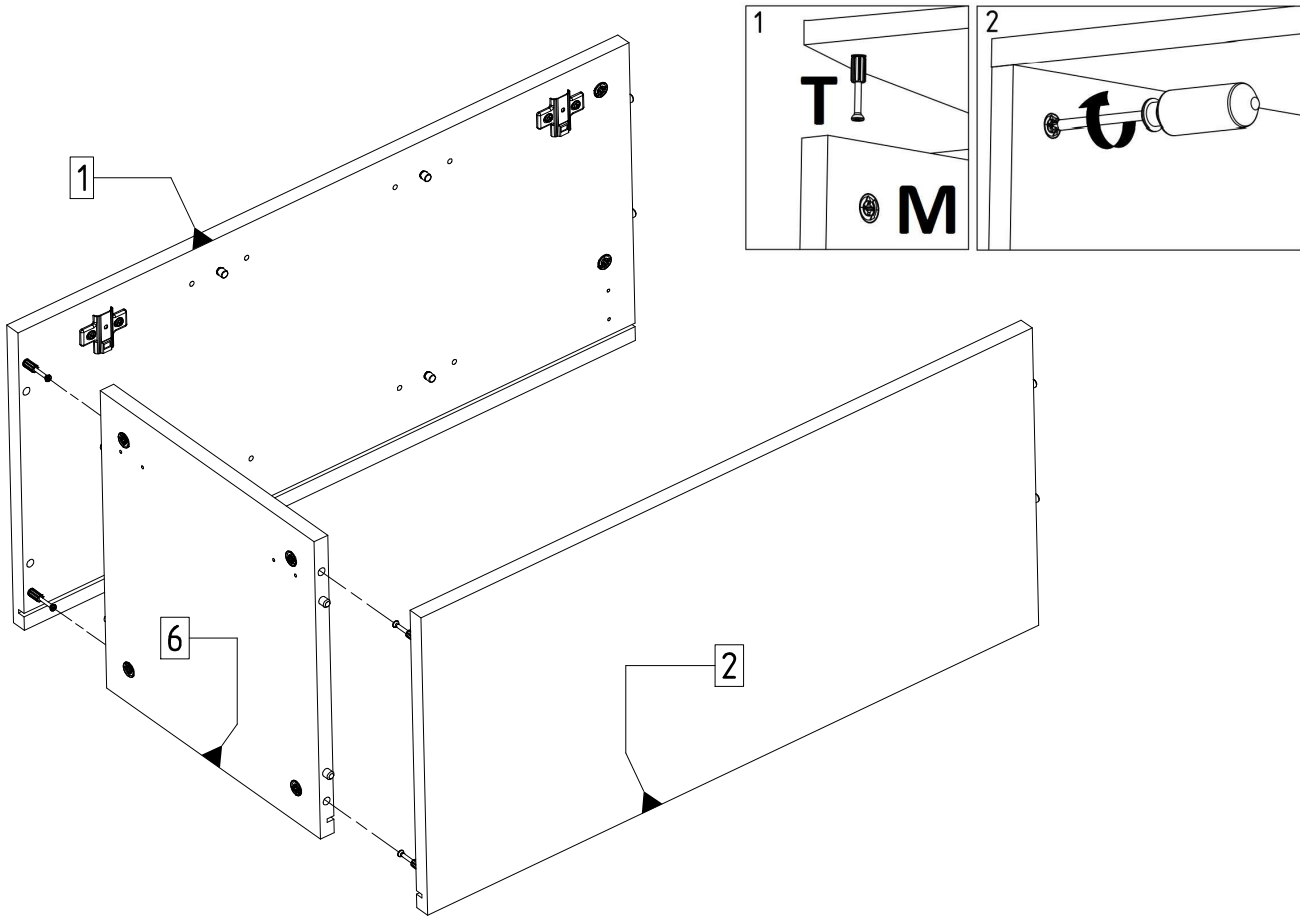




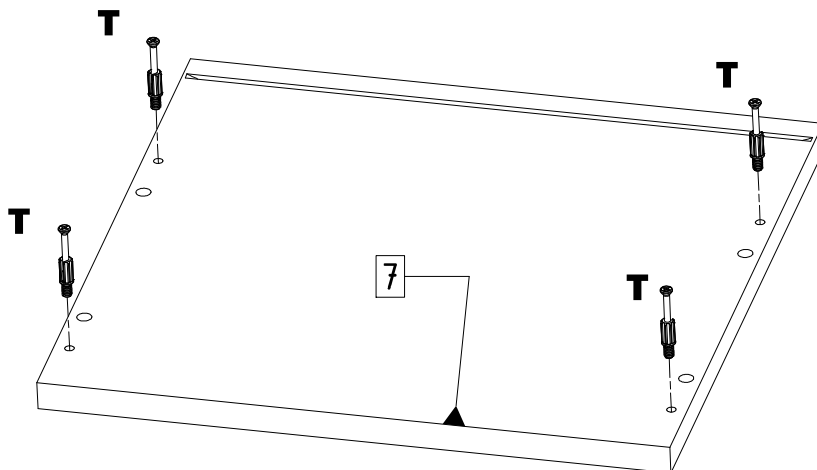
2.



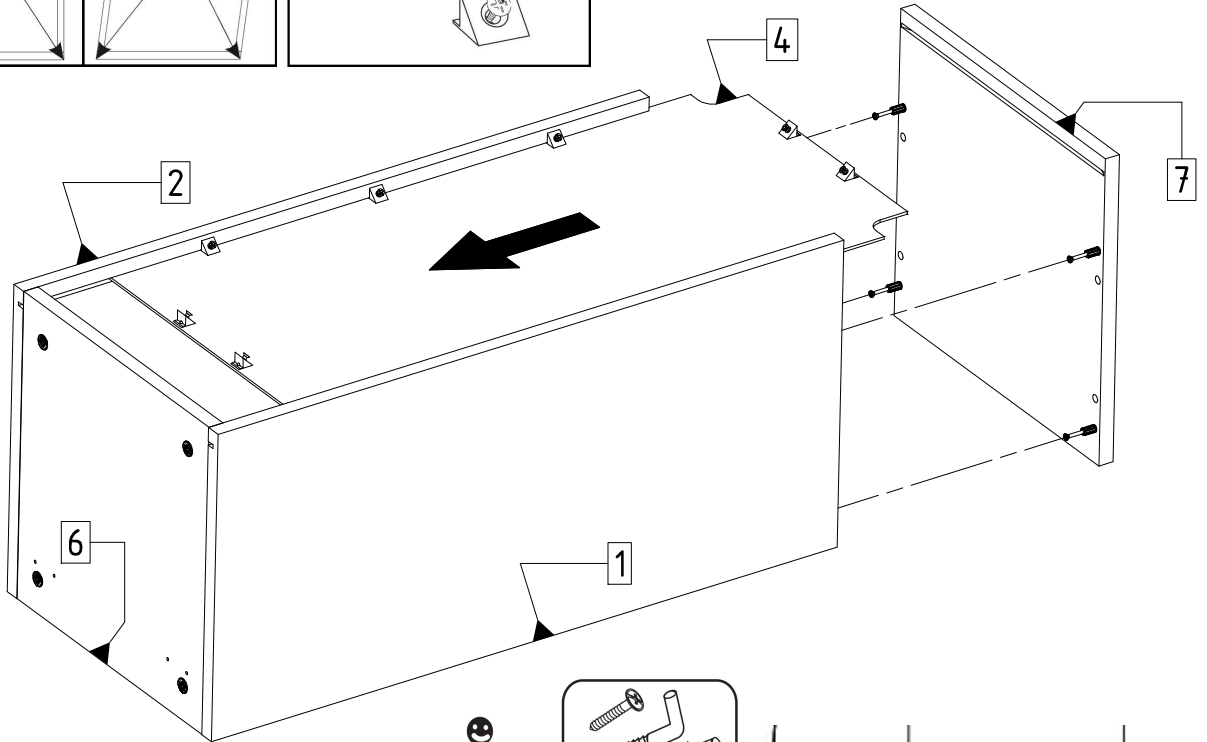
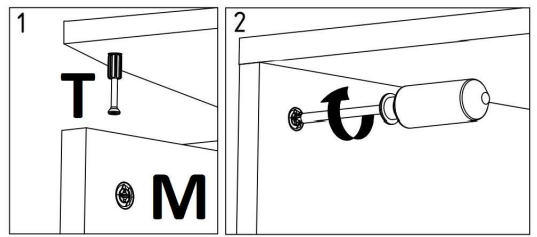
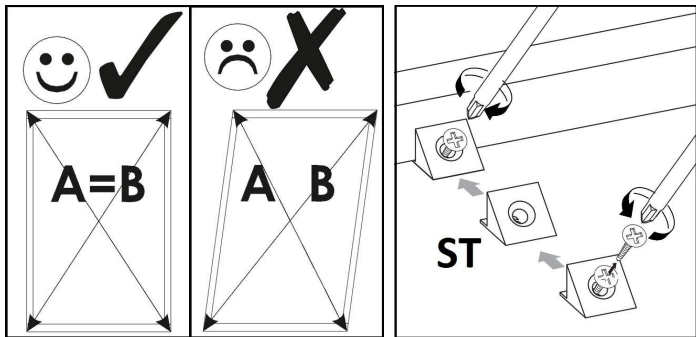
3.



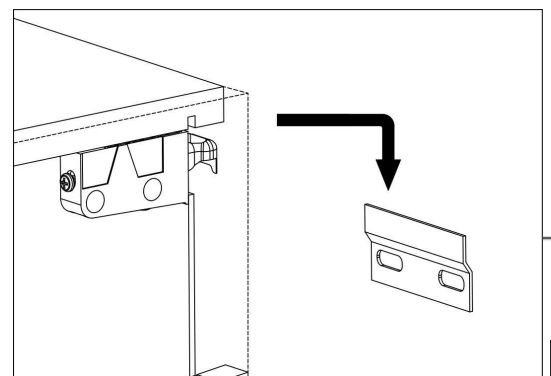
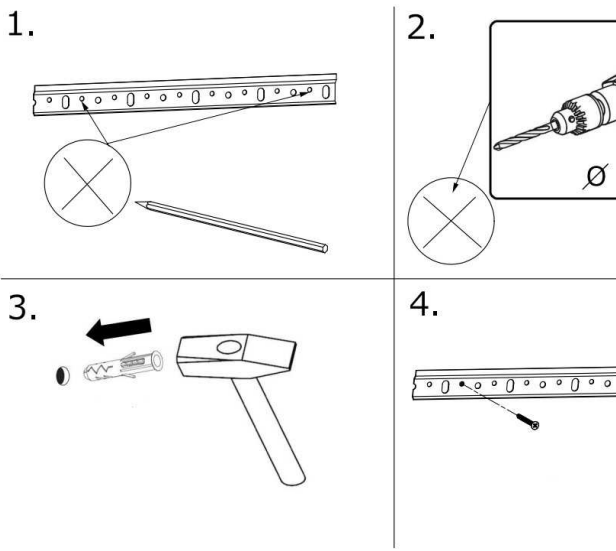
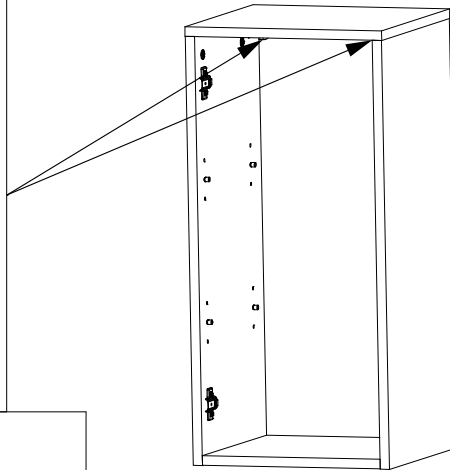
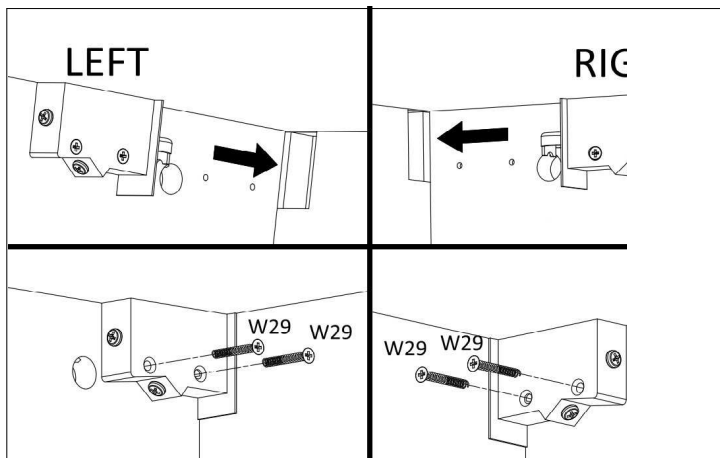
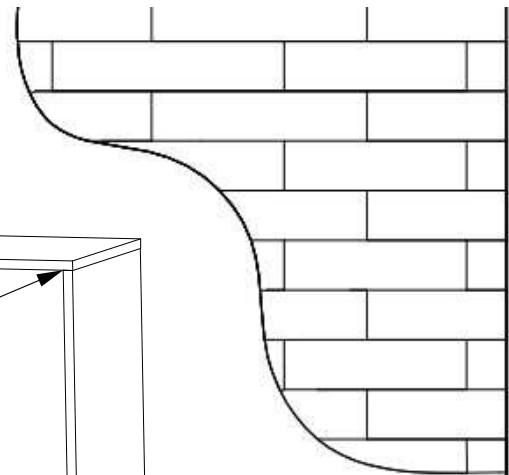
4.



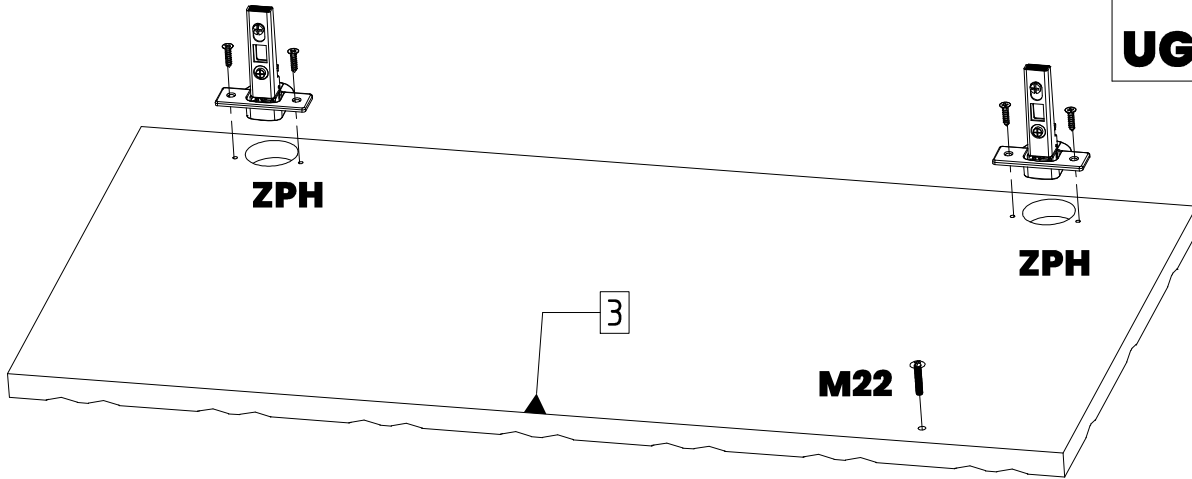
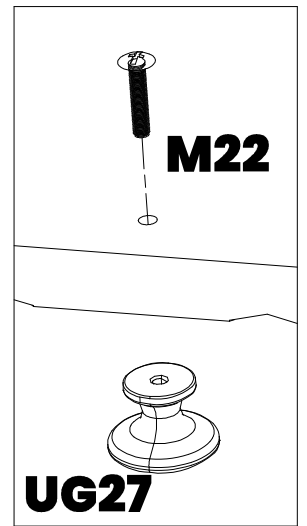
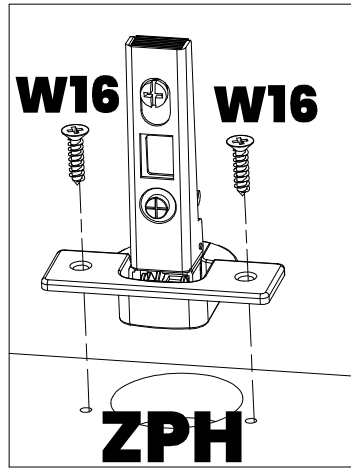
5.



6.



7.



8.

